

# WadBros®

GERMAN STANDARD  
INDUSTRIAL VENTILATION SOLUTIONS



INDUSTRIAL VENTILATION FANS

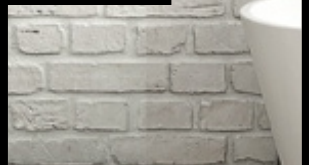
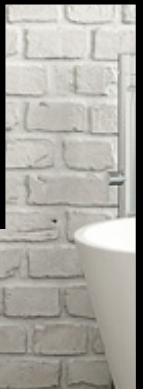
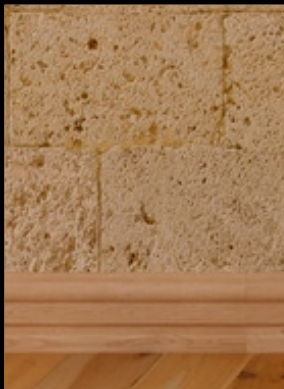
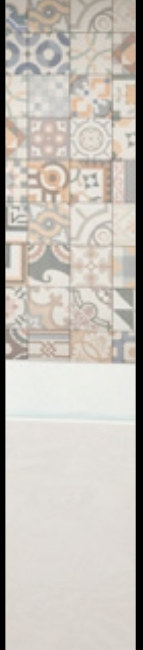


Visit Our Website  
[www.wadbros.com](http://www.wadbros.com)





FRESH AIR  
EVERYWHERE



# Wadbros Imports & Exports Industrial Ventilation Solutions

WADBROS commenced operations in the year 2007. The Company policy has been to provide international standard at affordable prices, also keeping in mind sustainability.

WADBROS fans have been uniquely designed keeping in mind the Indian scenario and needs, after understanding the requirements of the customer.

Wadbros is a modern enterprise center for environmental Ventilation equipment, specialising in R&D, manufacture, sales and service of Fans & blowers. We have a complete product series in the domestic industry.

Our fans have been rigorously

tested for fan aerodynamic performance and motor performance.

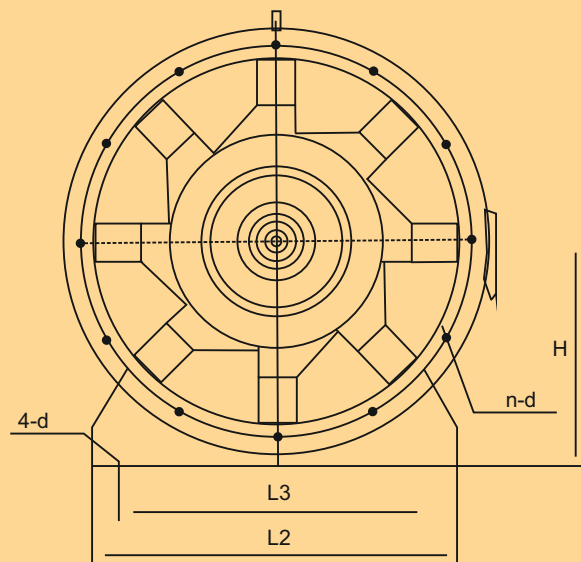
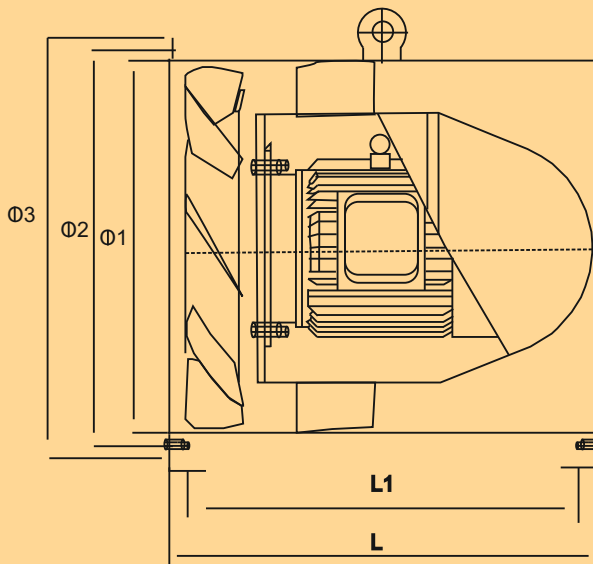
Our fans have smooth running, low noise, small size, light weight & low on maintenance. Our fans are used for ventilation in chemical light industry, civil construction, hospitality, mining industry, warehousing, pipeline pressure and supply ventilation and roof ventilation. These fans can be used for ventilation in air conditioning system also.

All our fans are guaranteed for 2 years. we have stable quality products, moderate price and efficient service. Our goal is to create a better future for mutual benefit

Air Quality  
for the highest demands



**SWF Series (Mixed Flow Fan)**







**SWF Series (Mixed Flow Fan)**

Dimension

SWF	Ø1	Ø2	Ø3	L		L1		L2	L3	H	4-Ød	n-Ød	KG	
3.5A	365	395	420	520	520	466	466	350	250	220	4-13	6-9	22	22
4A	415	455	490	560	600	500	540	400	300	260	4-13	6-9	33	35
4.5A	465	505	540	610	660	550	600	450	350	290	4-13	6-9	45	50
5A	515	555	590	610	680	550	620	500	400	315	4-13	12-11	47	55
6A	615	660	700	650	700	580	630	600	500	360	4-13	12-11	61	66
6.5A	665	710	750	700	760	630	690	650	550	400	4-13	12-11	78	86
7A	715	760	800	720	800	650	730	700	600	420	4-17	12-13	93	105
8A	815	860	900	820	850	750	780	800	700	470	4-17	12-13	135	143
8.5A	865	910	960	840	870	770	800	850	750	500	4-17	12-13	136	153
9A	915	970	1010	840	950	770	880	900	800	520	4-17	12-13	178	191
10A	1015	1070	1110	920	1050	850	980	1000	900	580	4-17	12-13	223	260
11A	1115	1170	1210	960	1120	890	1050	1100	1000	620	4-17	12-13	255	310
12A	1215	1270	1310	1070	1160	1000	1090	1200	1100	680	4-17	14-13	391	407
13A	1315	1370	1410	1150	1300	1070	1220	1300	1200	730	4-17	16-13	459	502

It is widely used for the ventilation of industrial and mining enterprises hotel, restaurant, stadium, and civil building and especially duct augment pressure ventilation.

The air transferred shall not be flammable explosive, dust and grain and the concentration shall not exceed 150mg/m<sup>3</sup> when the temperature of transporting medium shall not exceed 80.c



## SWF Series (Mixed Flow Fan)

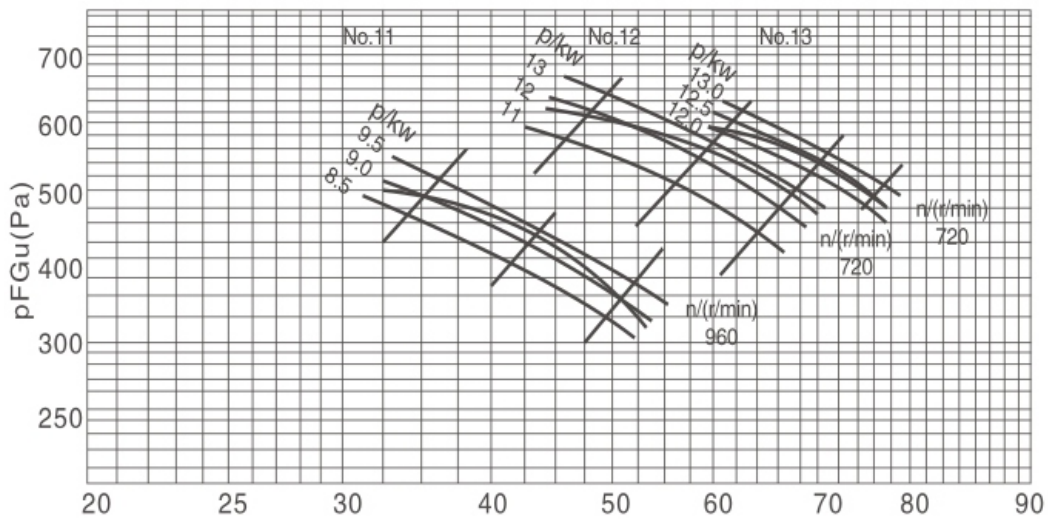
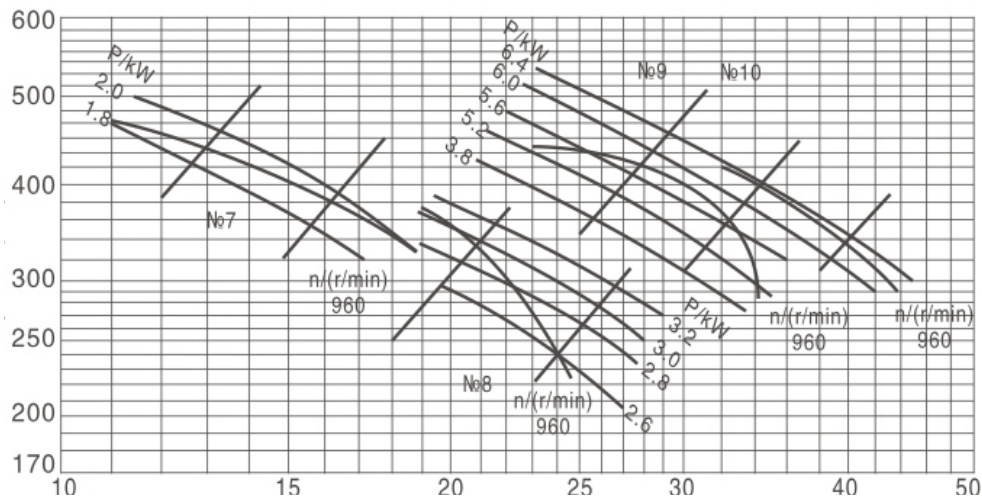
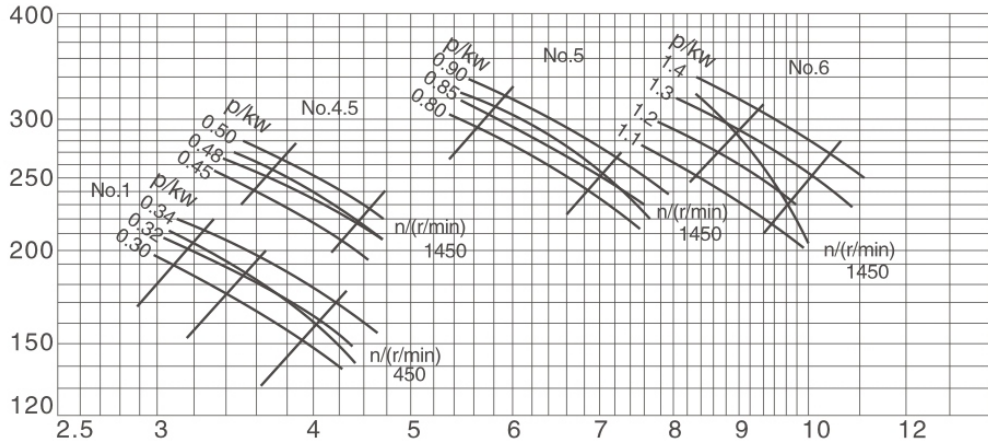
### Specification

Model	Power (kw)	Rotation(r/min)	Volume(m³/h)	Pressure(Pa)
SWF - I - 3.5A	0.25	1400	2318~2853	164~132
SWF - I - 4A	0.37	1400	2732~3730	193~126
SWF - I - 4.5A	0.55	1400	3783~5121	274~185
SWF - I - 6A	1.5	1400	7445~10187	393~243
SWF - I - 6.5A	2.2	1450	9277~12889	516~272
SWF - I - 7A	3	1420	12537~16865	542~250
SWF - I - 8A	4	960	16636~25467	392~193
SWF - I - 8.5A	5.5	960	22353~30546	431~218
SWF - I - 9A	5.5	960	27174~34206	430~282
SWF - I - 10A	7.5	960	33675~40526	545~229
SWF - I - 11A	11	960	38692~50013	733~287
SWF - I - 12A	15	730	50868~62816	601~429
SWF - I - 13A	15	730	60424~74042	626~334
SWF - II - 3.5A	2.2	2850	4145~5599	970~920
SWF - II - 4A	4	2850	7681~8358	1266~1198
SWF - II - 4.5A	5.5	2850	7315~9937	1218~918
SWF - II - 5A	5.5	2850	11058~13422	1273~937
SWF - II - 6A	5.5	1450	11146~14099	821~722
SWF - II - 6.5A	11	1450	14171~17925	964~848
SWF - II - 7A	11	1450	17699~22388	1118~983
SWF - II - 8A	7.5	960	17492~22126	640~563
SWF - II - 8.5A	11	960	20981~26539	723~636
SWF - II - 9A	11	960	24905~31503	810~712
SWF - II - 10A	18.5	960	34163~43214	1000~879
SWF - II - 11A	18.5	960	45471~57518	1150~1011
SWF - II - 12A	22	960	62058~68359	1184~1025
SWF - II - 13A	30	960	76280~84386	1200~1030





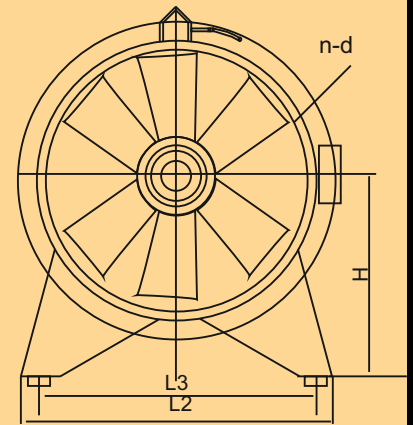
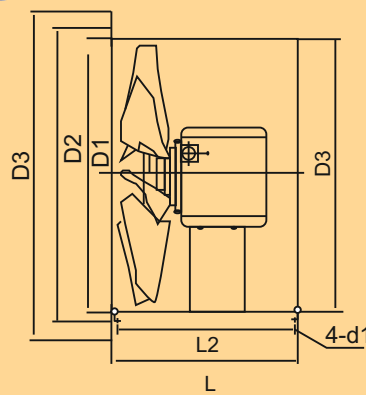
**SWF Series (Mixed Flow Fan)**



Air Quality  
for the highest demands



**POG Series (POG Type Axial Fan)**



**Dimension**

POG	D1	D2	D3	L	L1	L2	L3	H	4-d	n-d
3A	310	330	360	280	235	260	200	195	4-11	4-8
3.5A	360	380	410	280	235	300	240	225	4-11	4-8
4A	410	450	480	300(350)	268(318)	400	300	250	4-12	4-11
5A	510	550	580	330(380)	290(310)	450	385	310	4-12	4-11
6A	610	650	680	400(450)	345(395)	550	475	371	4-12	6-11
7A	710	750	780	400(450)	345(395)	650	570	430	4-14	8-11
8A	810	850	890	425(500)	368(343)	750	650	463	4-14	8-11
9A	910	950	990	500(680)	434(620)	850	750	525	4-14	8-11
10A	1010	1050	1090	680(700)	608(625)	1000	900	585	4-14	8-11
11.2A	1130	1180	1230	680	608	1100	1000	645	4-14	8-11
12A	1210	1260	1310	750	675	1200	1100	700	4-14	8-11





**POG Series (POG Type Axial Fan)**

Specification

POG	Rotation(r/m3)	Power (kw)	Blade Size	Volume(m <sup>3</sup> /h)	Pressure(Pa)
3A	2800	0.12	20	2184~1811	114~157
	2800	0.37	35	3866~3261	179~211
3.5A	2800	0.55	27	4204~3392	224~285
	2800	0.75	30	4998~4094	321~356
	1400	0.09	30	2307~1818	77~107
	1400	0.12	35	2499~2047	80~112
4A	2800	1.1	25	6080~4960	285~398
	2800	1.5	35	7600~6150	305~428
	1400	0.18	32	3800~3075	77~107
	1400	0.25	35	4675~3900	80~112
5A	2800	1.5	18	9354~8023	242~321
	2800	2.2	25	11032~9400	337~410
	1400	0.37	28	6809~5495	103~129
	1400	0.55	30	8096~6631	147~163
6A	2900	3	17	15217~12125	283~537
	2900	5.5	21	18888~15673	432~729
	1450	0.75	27	10611~8338	140~193
	1450	1.1	32	12294~9455	187~222
7A	1450	2.2	33	22170~16939	239~295
	1450	3	38	23973~18777	294~322
	960	0.55	29	11821~8705	90~117
	960	0.75	33	13477~11345	118~131



**POG Series (POG Type Axial Fan)**

POG	Rotation(r/m3)	Power (kw)	Blade Size	Volume(m <sup>3</sup> /h)	Pressure(Pa)
8A	1450	4	24	24327~18162	295~404
	1450	7.5	37	36427~29916	503~532
	960	1.1	24	16409~13560	140~173
	960	1.5	29	18535~15244	169~197
9A	1450	5.5	24	39902~33582	296~422
	1450	11	33	48488~38655	169~197
	960	2.2	27	26795~18695	178~232
	960	3	33	31170~24568	232~265
10A	1450	7.5	23	40805~29579	312~528
	1450	18.5	35	61360~47436	638~712
	960	4	32	37375~30479	263~300
	960	5.5	35	40540~33861	297~323
11.2A	960	7.5	33	54117~45622	340~356
	960	11	38	57421~50499	364~384
11.2A	960	15	35	78463~63230	394~461
	960	18.5	40	86505~75764	451~488

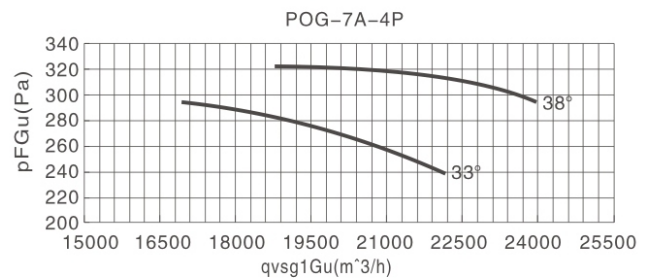
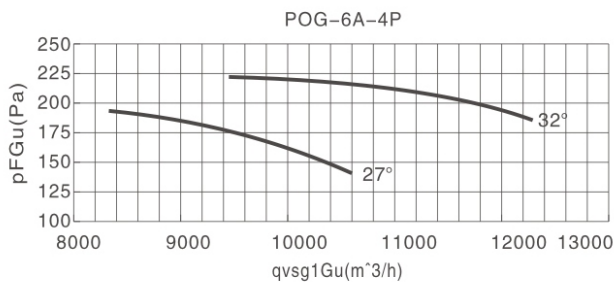
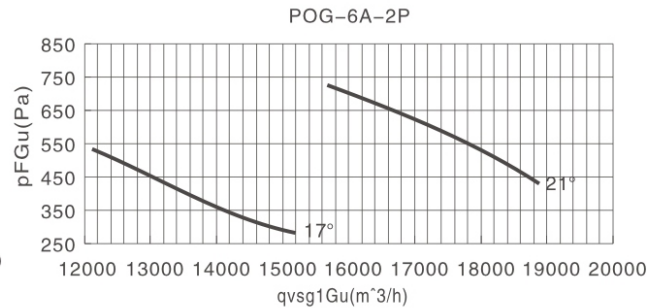
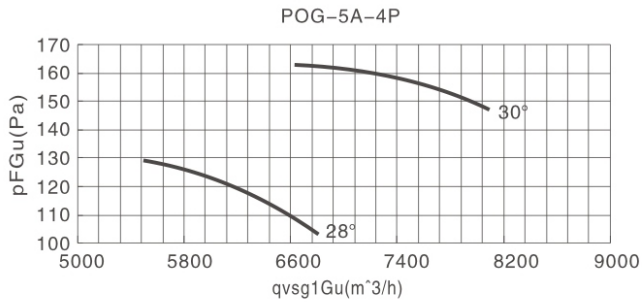
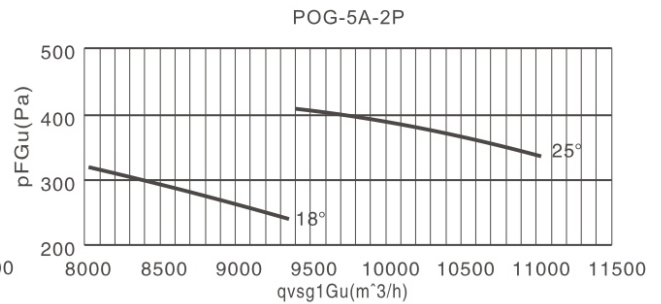
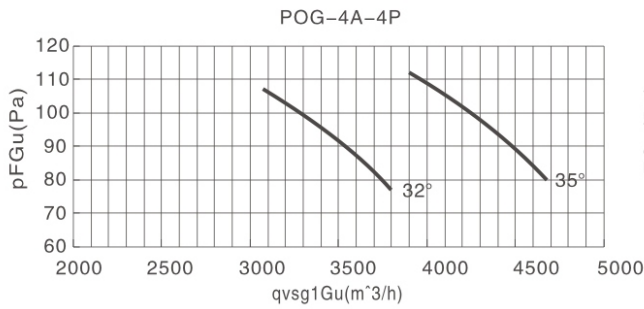
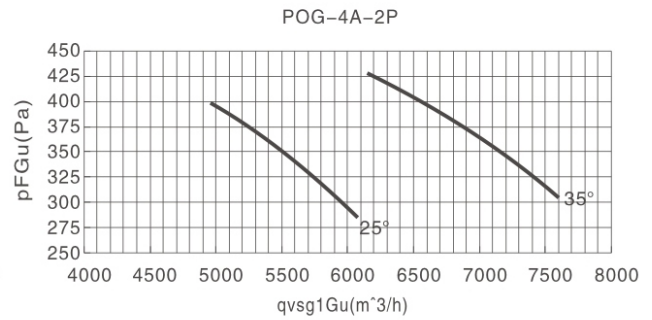
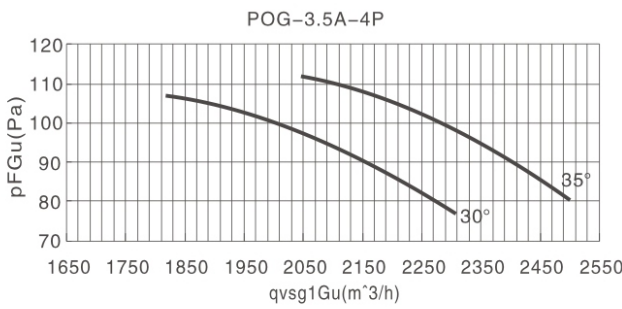
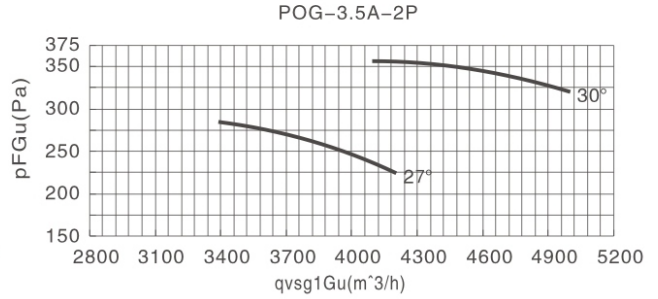
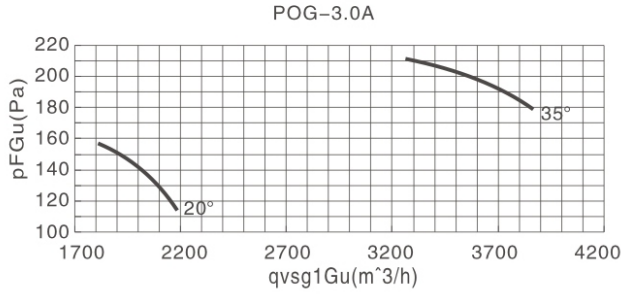
POG series fans are widely used to ventilate air in factories, workshop, warehouse and other relevant places for petroleum refining, and productions of various alcohols painting, spray drying rubber production, food processing and medicine production.

The series are featured by new design, excellent performance, high pressure, efficient energy saving, low noise, reverse ventilation and etc, and the fans can transport non-corrosive gases with the quantity of dust and solid impurities < 150mg/m<sup>3</sup> and the temperature no higher than 50.c





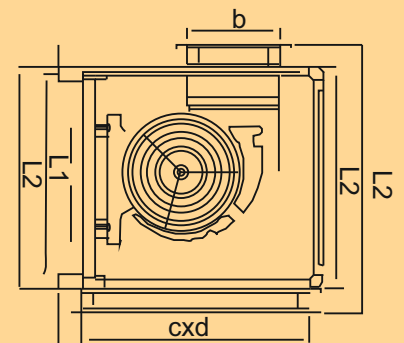
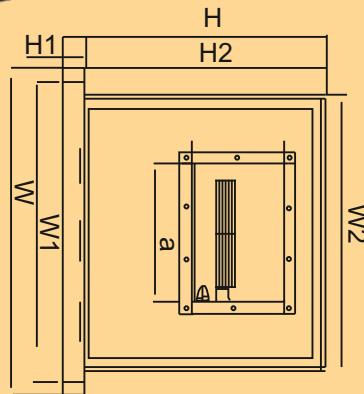
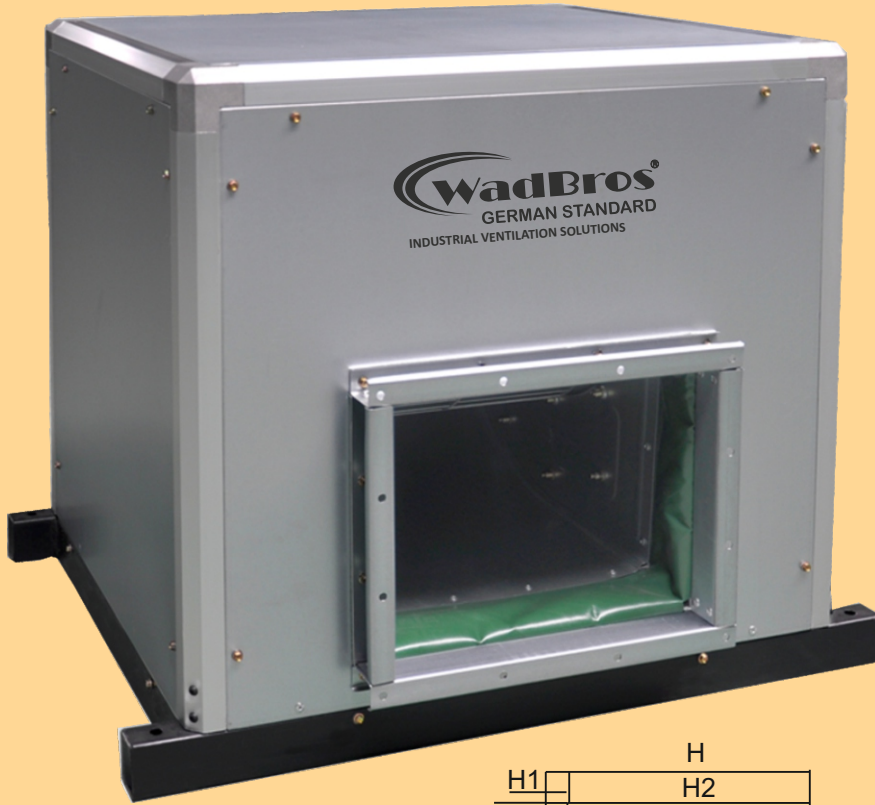
**POG Series (POG Type Axial Fan)**



Air Quality  
for the highest demands



**BF (BF Series Cabinet Fan)**



**Dimension**

BF	L	W	H	L2	W2	H2	L1	W1	H1	axb	cxd
2.0A	580	700	545	480	600	495	430	650	50	297x196	540x465
2.25A	620	750	580	520	650	530	470	700	50	344x213	590x500
2.5A	660	800	620	560	700	570	520	750	50	344x230	640x540
2.8A	720	820	680	620	720	630	570	770	50	360x266	660x600
3.0A	760	840	710	660	740	660	600	790	50	382x287	680x630
3.15A	780	910	760	680	790	700	640	850	60	382x297	710x660
3.55A	840	970	820	740	850	760	700	910	60	430x335	770x720
4.0A	920	1100	910	820	980	850	780	1040	60	480x380	900x810
4.5A	1000	1190	1010	900	1050	950	860	1110	60	545x430	970x910
5.0A	1120	1300	1080	1020	1140	1020	980	1220	60	600x480	1060x980



**BF (BF Series Cabinet Fan)**

Specification

Model No.	Power (kw)	Voltage(V)	Volume(m <sup>3</sup> /h)	Pressure(Pa)	Staticpressure(Pa)
BF-2.0A	0.22	220	1044~2314	207~177	192~106
		220	919~2036	160~137	149~82
		220	836~1851	133~113	123~68
	0.10	220	710~1573	96~98	89~49
		220	668~1481	85~72	79~43
		220	627~1388	75~64	69~38
BF-2.25A	0.25	220	1110~2393	119~99	110~57
		220	1045~2252	106~87	98~50
		220	914~1971	81~67	75~38
	0.55	220	1763~3800	300~249	278~143
		220	1502~3237	210~180	201~104
		220	1306~2680	165~136	152~78
BF-2.5A	0.37	220	1178~2680	159~163	148~107
		220	1109~2522	141~144	131~95
		220	1040~2365	124~127	116~83
	0.75	220	1377~3941	344~352	321~231
		220	1594~3626	291~298	272~196
		220	1386~3153	220~226	205~148
BF-2.0A	0.18-4P	380	852~1532	227~208	217~176
	0.25-4P	380	1066~2348	251~245	213~182
	0.32-4P	380	1568~3010	266~245	219~145
	0.12-6P	380	931~1759	110~102	92~60
	0.18-6P	380	1350~2501	114~91	94~40
BF-2.25A	0.32-4P	380	1304~2090	327~320	312~282
	0.45-4P	380	2159~3426	320~301	260~209
	0.55-4P	380	2387~3976	305~254	243~151
	0.18-6P	380	1642~2548	160~147	137~92
	0.25-6P	380	1905~3107	142~110	107~50
BF-2.5A	0.55-4P	380	1373~2577	449~470	433~427
	0.8-4P	380	2265~4302	455~502	415~380
	0.25-6P	380	1576~2770	220~250	200~198
BF-2.8A	1.1-4P	380	2463~4598	398~452	367~344
	1.5-4P	380	3504~5866	500~422	438~258
	0.37-6P	380	2363~3863	241~231	213~156
	0.55-6P	380	2925~4450	270~194	226~127



**BF (BF Series Cabinet Fan)**

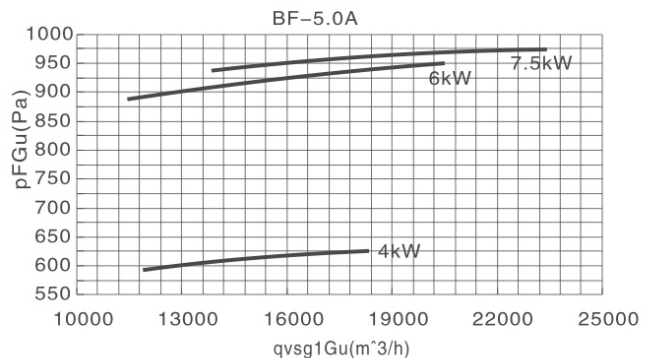
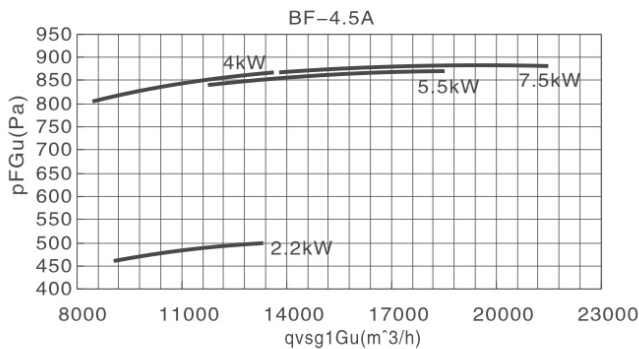
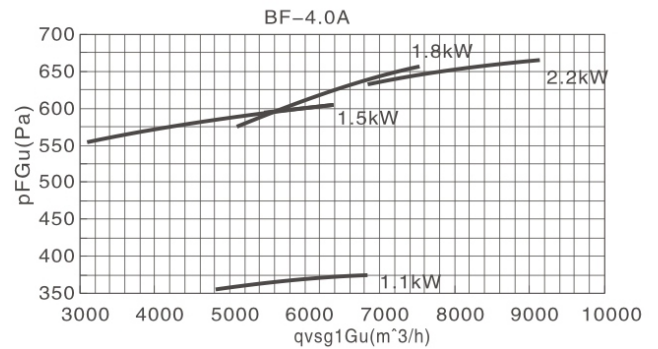
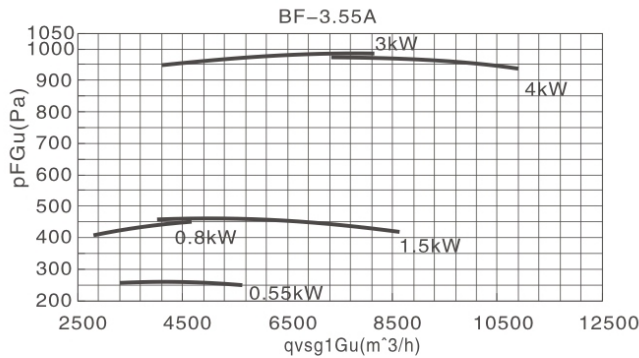
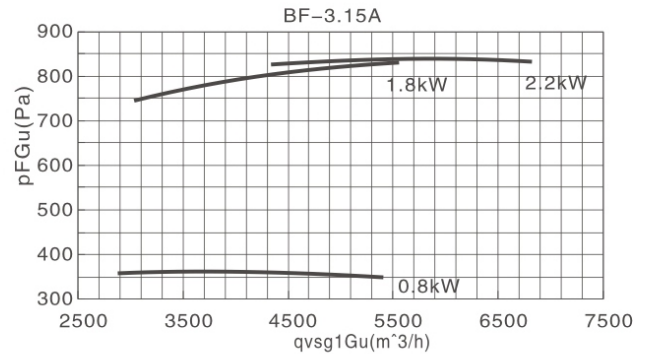
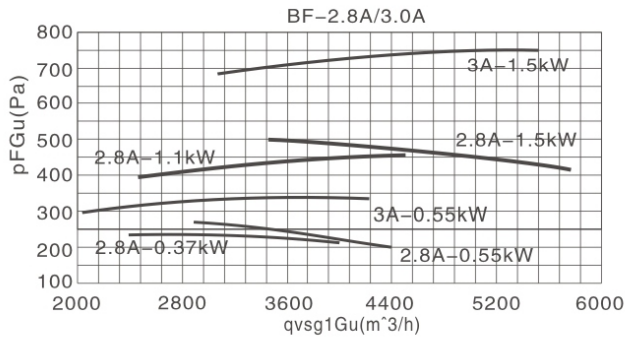
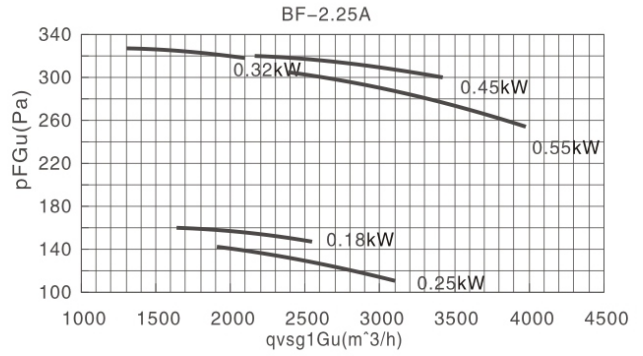
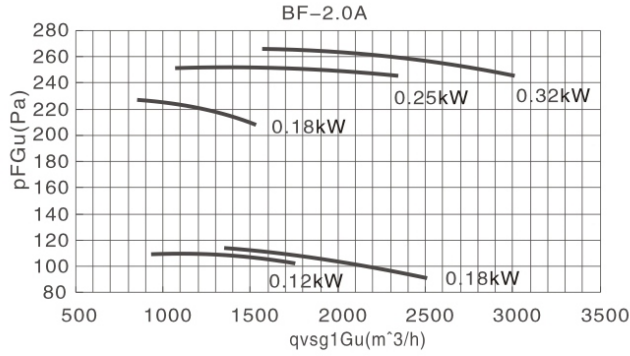
Model No.	Power (kw)	Voltage(V)	Volume(m³/h)	Pressure(Pa)	Staticpressure(Pa)
BF-3.0A	1.5-4P	380	3071~5520	682~750	642~649
	0.55-6P	380	2033~4225	298~336	285~274
BF-3.15A	1.8-4P	380	3041~5565	744~836	711~741
	2.2-4P	380	4343~6820	820~839	749~699
	0.8-6P	380	2875~5408	359~353	328~265
BF-3.55A	3.0-4P	380	4087~8165	952~979	915~847
	4.0-4P	380	7424~10913	976~938	852~703
	0.8-6P	380	2803~5620	407~451	388~407
	1.5-6P	380	4002~8633	459~418	418~271
	0.55-8P	380	3301~5646	257~248	230~185
BF-4.0A	1.5-6P	380	3080~6380	552~605	539~555
	1.8-6P	380	5088~7526	576~656	538~587
	2.2-6P	380	6842~9130	632~665	568~550
	1.1-8P	380	4812~6847	355~734	319~309
BF-4.5A	4.0-6P	380	8437~13617	805~868	744~708
	5.5-6P	380	11750~18520	841~869	722~539
	7.5-6P	380	13710~21500	867~881	705~483
	2.2-8P	380	9033~13350	462~502	410~309
BF-5.0A	6.0-6P	380	11441~20500	887~950	822~812
	7.5-6P	380	13845~23433	938~974	841~762
	4.0-8P	380	11883~18349	593~625	494~412

BF series fan is designed to meet the requirements of different operating conditions for the air exhaust equipment, which can regulate air flow according to seasonal variations and operating conditions to save energy consumption. Featured by smooth running, low noise, small size, light wight, & convenient maintenance, it can supply air to pipelines of different directions. Fan is widely used for ventilation in air conditioning system in buildings, factories etc. Upon request, the fan can regulate air flow & pressure through AC POWER SOURCE. It can be remote controlled by electronic control box. BF series fan uses external rotor motor, dual-inlet structure, all- metal frame & removable acoustic insulation panels, which make it flexible for installation.





**BF (BF Series Cabinet Fan)**

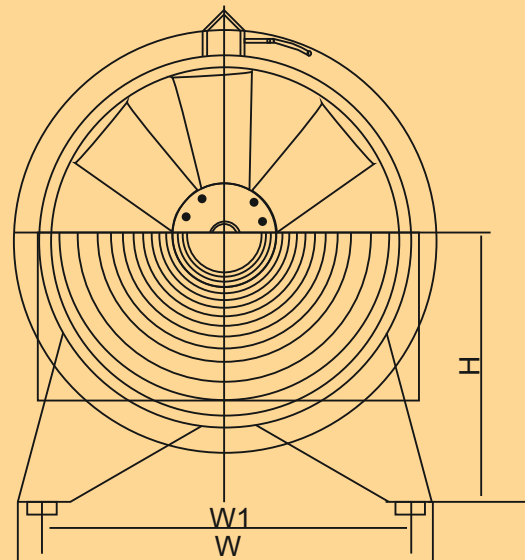
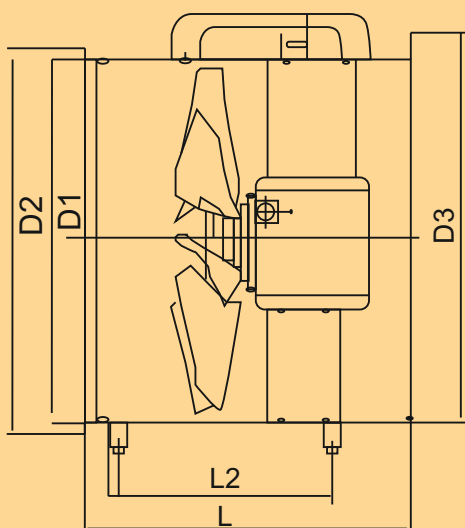


Air Quality  
for the highest demands

Visit our website  
[www.wadbros.com](http://www.wadbros.com)



**SHT Series (Portable Fan for Exhaust or Blowing )**





**SHT Series (Portable Fan for Exhaust or Blowing )**

Dimension

SHT	D1	D2	D3	L	L1	L2	W	W1	H
2.5A	260	285	310	340	40	220	280	236	195
3A	310	330	360	340	40	220	320	276	220
3.5A	360	380	410	370	40	235	365	320	245
4A	410	430	460	370	40	235	420	376	270



This series can be used for exhaust or blowing inside container and tunnel. It is a professional fan for machinery and engineering. Anti-explosion and different voltages are alternatives for this fans.

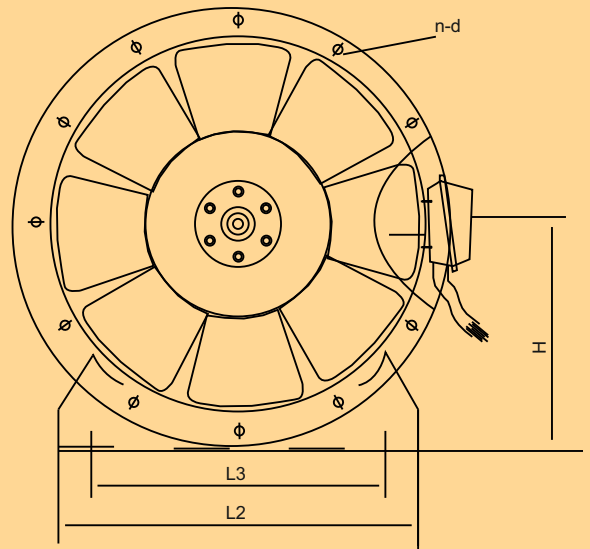
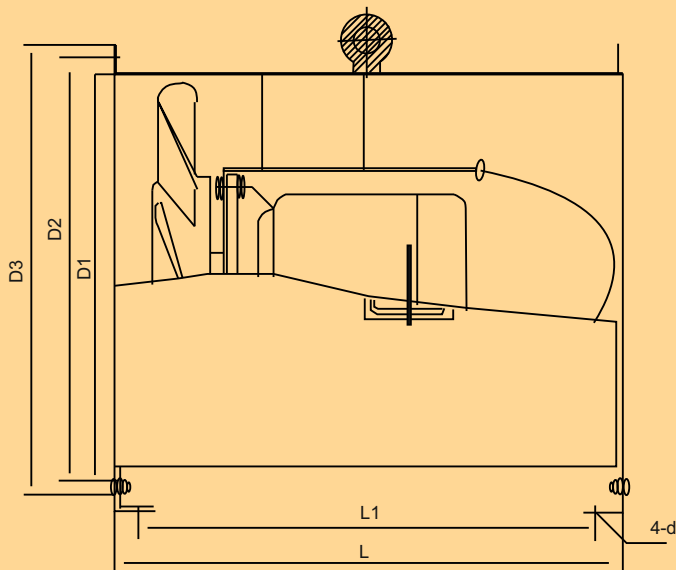
Specification

Model	Power (kw)	Voltage(V)	Rotation(r/min)	Volume(m <sup>3</sup> /h)	Pressure(Pa)
SHT - 2.5A	0.25	220	2800	1492~1822	154~134
SHT - 3.0A	0.37	220	2800	2578~3148	222~192
SHT - 3.5A	0.55	220	2800	3392~4202	285~224
SHT - 4.0A	0.90	220	2800	4054~5013	380~270

Air Quality  
for the highest demands



**HTF Series (All Type fire-control Fan for Smoke extraction )**







**HTF Series (All Type fire-control Fan for Smoke extraction )**

Dimension

HTF	D1	D2	D3	L	L1	L2	L3	H	n-d	4-d	kg.
3.5A	365	395	420	500	446	350	250	220	6-9	4-13	22
4A	415	455	490	550	490	400	300	260	6-9	4-13	32
4.5A	465	505	540	600	540	450	350	290	6-9	4-13	42
5A	515	555	590	660	600	500	400	315	12-11	4-13	46
5.5A	565	605	640	700	630	550	450	340	12-11	4-13	56
6A	615	660	700	750	680	600	500	360	12-11	4-13	64
6.5A	665	710	750	800	730	650	550	400	12-11	4-13	86
7A	715	760	800	950	880	700	600	420	12-13	4-17	105
8A	815	860	900	950	880	800	700	470	12-13	4-17	116
9A	915	970	1010	970	900	900	800	520	12-13	4-17	149
10A	1015	1070	1110	1000	930	1000	900	580	12-13	4-17	170
11A	1115	1170	1210	1070	1000	1100	1000	620	12-13	4-17	272
12A	1215	1270	1310	1120	1050	1200	1100	680	14-13	4-17	272
3A	1315	1370	1410	1200	1120	1300	1200	730	16-13	4-17	318
15A	1510	1570	1630	1200	1120	1500	1300	830	20-17	4-22	420



It is suitable for ventilation and fire control of tall buildings, subway tunnel, underground stores, gymnasiums etc, this fan is set up with double-speed motor, it normally operates at low speed for ventilation. On occurrence of fire, the fan automatically goes into high-speed mode and discharges smoke by the electric control system.



**HTF Series (All Type fire-control Fan for Smoke extraction )**

Specification

Model	Power (kw)	Rotation(r/min)	Volume(m <sup>3</sup> /h)	Pressure(Pa)	Staticpressure(Pa)
HTF - I - (A)-3.5A	1.1	2800	2550~3684	344~229	308~164
HTF - I - (A)-4A-I	5.5	1400	1970~2700	150~90	134~55
HTF - I - (A)-4A-I	1.5	2800	3800~5500	450~330	412~220
HTF - I - (A)-4.5A-I	0.75	1400	3060~4250	168~103	152~73
HTF - I - (A)-4.5A	2.2	2800	6120~8500	670~410	607~289
HTF - I - (A)-5A-I	1.1	1400	3410~4912	188~127	175~100
HTF - I - (A)-5A	3	2900	6817~9824	752~510	700~403
HTF - I - (A)-5.5A	4	2900	10900~15200	900~530	834~410
HTF - I - (A)-6A-I	1.5	1400	6599~8045	190~127	166~92
HTF - I - (A)-6.5A	5.5	1450	15300~21500	680~425	570~300
HTF - I - (A)-7A-I	3	960	12518~16141	319~267	273~190
HTF - I - (A)-7A	7.5	1450	18908~24380	728~610	622~434
HTF - I - (A)-8A-I	3	960	17222~20800	317~263	265~188
HTF - I - (A)-8A	7.5	1450	26012~31421	545~460	395~288
HTF - I - (A)-9A-I	4	960	18216~22186	368~246	332~192
HTF - I - (A)-9A	11	1450	27613~33510	840~562	757~439
HTF - I - (A)-10A-I	5.5	960	24019~30255	338~276	296~210
HTF - I - (A)-10A	11	1450	35000~45679	770~630	682~480
HTF - I - (A)-11A-I	5.5	960	36375~38664	387~326	322~252
HTF - I - (A)-11A	15	1450	48500~51552	676~580	574~449
HTF - I - (A)-12A-I	11	730	43311~47072	416~351	355~273
HTF - I - (A)-12A	18.5	970	57748~62763	740~624	632~486
HTF - I - (A)-13A-I	11	730	42023~56031	454~338	409~258
HTF - I - (A)-13A	18.5	970	56031~74708	807~600	727~458
HTF - I - (A)-15A-I	15	730	57031~70350	461~350	414~258
HTF - I - (A)-15A	22	970	76041~93800	620~520	575~426

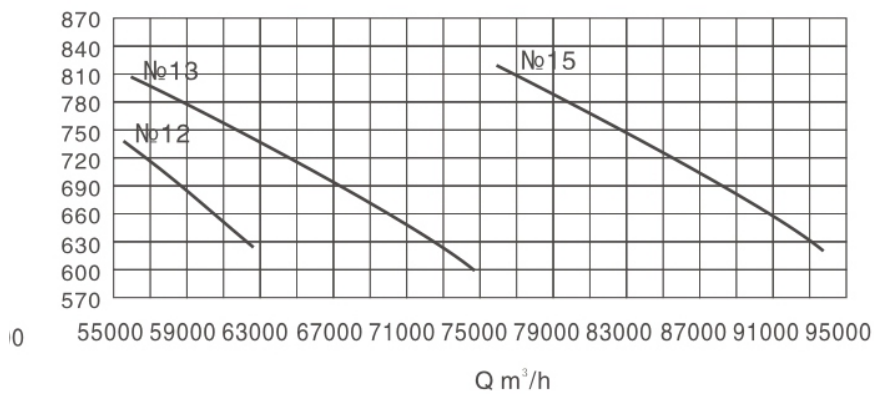
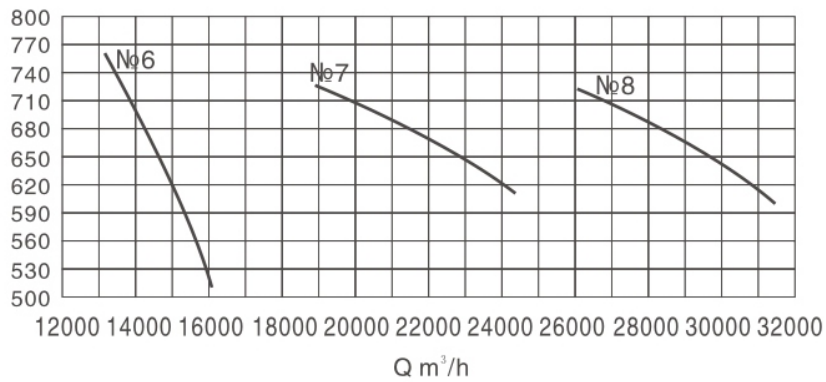
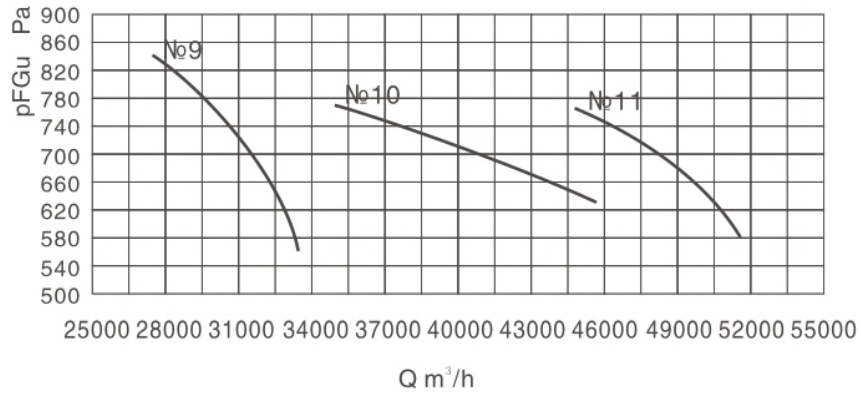
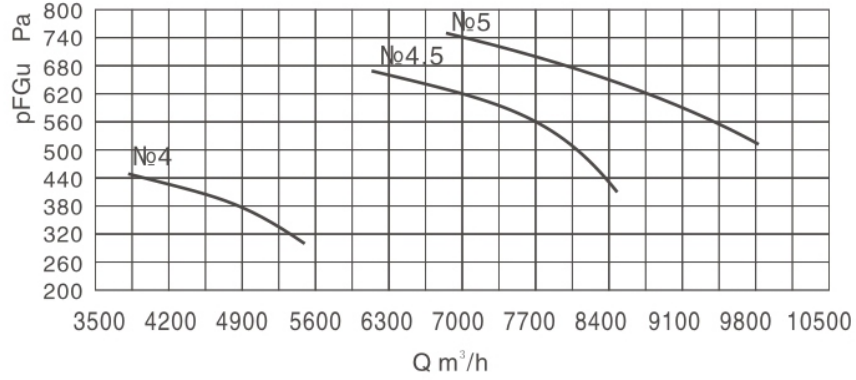


**HTF Series (All Type fire-control Fan for Smoke extraction )**

Model	Power (kw)	Rotation(r/min)	Volume(m³/h)	Pressure(Pa)	Staticpressure(Pa)
<b>HTF - II</b>					
HTF - II - (A)-5A	3.1/0.8	1450	3410~4912	188~127	175~100
		2900	6817~9824	752~510	700~403
HTF - II - (A)-6A	5.9/1.4	1450	6599~8045	245~127	215~125
		2900	13197~16090	990~510	910~370
HTF - II - (A)-7A	9.5/3.1	960	12518~16141	319~267	273~190
		1450	18908~24380	728~610	622~434
HTF - II - (A)-8A	9.5/3.1	960	17222~20800	280~263	265~188
		1450	26012~31421	650~600	605~428
HTF - II - (A)-9A	12/4	960	18216~22186	368~246	332~192
		1450	27613~33510	840~562	757~439
HTF - II - (A)-10A	12/4	960	24019~30255	338~276	296~210
		1450	35000~45679	770~630	682~480
HTF - II - (A)-11A	15.5/5.1	960	36735~38664	387~165	133~102
		1450	48500~51552	680~580	574~449
HTF - II - (A)-12A	17/8.5	720	43311~47072	416~624	355~273
		960	55651~62763	740~624	632~486
HTF - II - (A)-13A	17/8.5	720	42023~56031	454~338	409~258
		960	56031~74708	807~600	727~458
HTF - II - (A)-15A	21/11	720	57031~70350	260~220	228~109
		960	76041~93800	480~423	390~215



**HTF Series (All Type fire-control Fan for Smoke extraction )**







## Certified & Code Compliant:

All fan Motors are RoHS Approved. Restriction of Hazardous Substances Directive (RoHS) restricts the use of the following six substances in the manufacturing process: Lead, Mercury, Cadmium, Hexavalent chromium [CR(VI)],

Polybrominated biphenyls (PBB), and Polybrominated diphenyl ether (PBDE).

The production facilities that build WadBros fans have earned the distinction of being recognized by the International Standards Organization (ISO) under the ISO 9001:2015 Quality Assurance program.

CE marking on a product indicates that the product complies with legal requirement of European market and the same can be sold with in European Union. CE Marking ensures that a product meets a minimum safety standard and product does not compromise with public safety.

WadBros is a CRISIL verified Company



# **WadBros**<sup>®</sup> GERMAN STANDARD INDUSTRIAL VENTILATION SOLUTIONS

WadBros Imports & Exports

Email : [wadbros@gmail.com](mailto:wadbros@gmail.com), [wadbros@wadbros.com](mailto:wadbros@wadbros.com)

Website : [www.wadbros.com](http://www.wadbros.com)



SCAN this QR-code  
from your smart  
phone to know more.