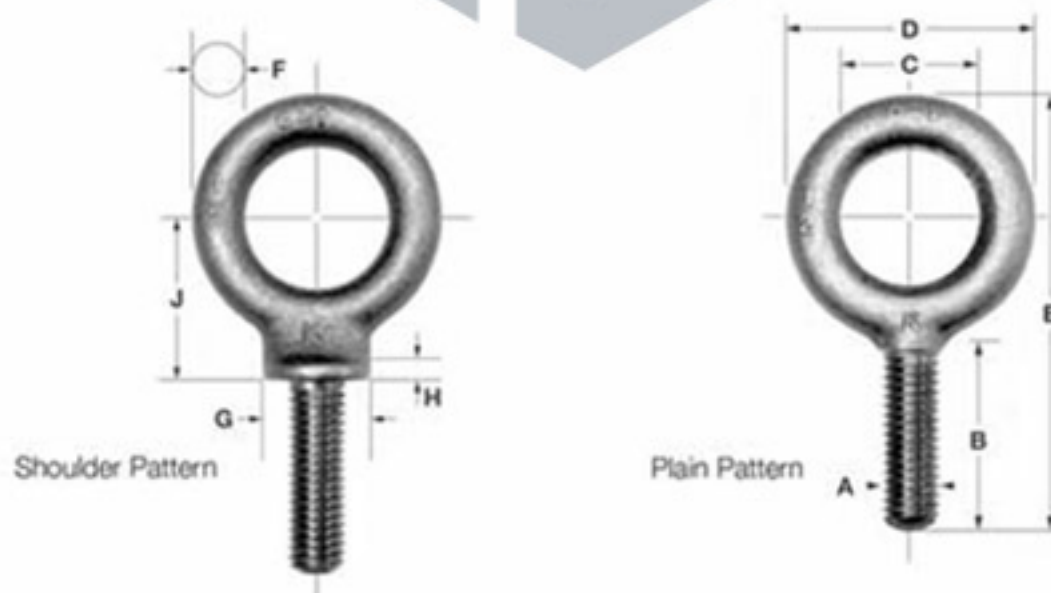


Machinery Eyebolt Reference Dimensions & Rated Capacities

Stock No.		A	B	C	D	E		F	G	H	J	Rated Capacity Lbs.	Thread Size UNC-2A
Shoulder	Plain	Shank Dia.	Shank Length	Eye I.D.	Eye O.D.	Shoulder	Plain	Eye Sect Dia.	Shldr. Dia.	Shldr. Thick.	Location		
K-2021	K-2001	0.25	1.00	0.69	1.19	2.22	2.06	0.19	0.50	0.12	0.69	500	1/4-20
K-2022	K-2002	0.31	1.12	0.81	1.44	2.66	2.44	0.25	0.56	0.12	0.88	900	5/16-18
K-2023	K-2003	0.38	1.25	0.94	1.69	3.09	2.81	0.31	0.62	0.12	1.06	1,300	3/8-16
K-2024	K-2004	0.44	1.38	1.00	1.81	3.41	3.06	0.34	0.75	0.19	1.19	1,800	7/16-14
K-2025	K-2005	0.50	1.50	1.12	2.12	3.81	3.50	0.44	0.88	0.19	1.31	2,400	1/2-13
K-2026	K-2006	0.56	1.62	1.19	2.25	4.19	3.75	0.47	0.94	0.22	1.50	3,000	9/16-12
K-2027	K-2007	0.62	1.75	1.31	2.56	4.56	4.19	0.56	1.00	0.25	1.59	4,000	5/8-11
K-2028	K-2008	0.75	2.00	1.44	2.81	5.06	4.69	0.62	1.12	0.25	1.72	5,000	3/4-10
K-2029	K-2009	0.88	2.25	1.56	3.19	5.75	5.31	0.75	1.31	0.31	2.03	7,000	7/8-9
K-2030	K-2010	1.00	2.50	1.69	3.56	6.44	5.94	0.88	1.50	0.38	2.22	9,000	1-8
K-2031	K-2011	1.12	2.75	1.94	4.06	7.31	6.69	1.00	1.69	0.44	2.59	12,000	1 1/8-7
K-2032	K-2012	1.25	3.00	2.12	4.44	8.00	7.31	1.09	1.88	0.50	2.84	15,000	1 1/4-7
K-2034	K-2014	1.50	3.50	2.44	5.19	9.22	8.56	1.31	2.12	0.50	3.19	21,000	1 1/2-6
K-2035	K-2015	1.75	3.75	2.75	6.00	10.50	9.50	1.50	2.50	0.50	3.88	28,000	1 3/4-5
K-2036	K-2016	2.00	4.00	3.06	6.88	11.53	10.56	1.75	2.88	0.62	4.25	38,000	2-4 1/2
K-037	K-2017	2.50	5.00	3.81	8.50	14.59	13.19	2.19	3.62	0.88	5.50	56,000	2 1/2-4

Reprinted from ASME B18.15-1985 (R1995), by permission of The American Society of Mechanical Engineers. All Rights Reserved.



Caution: Rated capacity is for 0° vertical pulls. See Eyebolt Rated Capacity/Guidelines (page 2) for complete lifting information. Reference ASME B18.15 for additional dimensions. Swivel Hoist Rings (page 50) are recommended for angular lifts.

Eyebolts Shoulder Pattern

Drop Forged Carbon Steel, Self-Colored
ASTM A489
Fully Threaded: UNC-2A

Stock No.	A Shank Dia. & Thread UNC-2A	B Shank Length	C Eye I.D.	D Eye O.D.	Weight Lbs.
K-2021	1/4-20	1	3/4	1 3/16	0.06
K-2022	5/16-18	1 1/8	7/8	1 7/16	0.11
K-2023	3/8-16	1 1/4	1	1 21/32	0.18
K-2023-A	3/8-16	3/4	1	1 21/32	0.17
K-2023-AA	3/8-16	5/8	1	1 21/32	0.15
K-2024	7/16-14	1 3/8	1 3/32	1 27/32	0.23
K-2025	1/2-13	1 1/2	1 3/16	2 1/16	0.35
K-2025-A	1/2-13	1	1 3/16	2 1/16	0.33
K-2026	9/16-12	1 5/8	1 9/32	2 9/32	0.47
K-2027	5/8-11	1 3/4	1 3/8	2 1/2	0.70
K-2027-A	5/8-11	1 1/4	1 3/8	2 1/2	0.65
K-2028	3/4-10	2	1 1/2	2 13/16	1.10
K-2028-A	3/4-10	1 1/2	1 1/2	2 13/16	1.00
K-2028-AA	3/4-10	1 1/4	1 1/2	2 13/16	0.93
K-2029	7/8-9	2 1/4	1 11/16	3 1/4	1.70
K-2030	1-8	2 1/2	1 13/16	3 9/16	2.36
K-2031	1 1/8-7	2 3/4	2	4	3.41
K-2032	1 1/4-7	3	2 3/16	4 7/16	4.68
K-2034	1 1/2-6	3 1/2	2 1/2	5 3/16	7.77
K-2035	1 3/4-5	3 3/4	2 7/8	6 1/16	11.35
K-2036	2-4 1/2	4	3 1/4	6 7/8	16.70
K-2037	2 1/2-4	5	4	8 9/16	29.80

For full dimension chart and rated capacities refer to page 3.
Blanks in stock. Inquire for price.
Different material grades and lengths available. Inquire for price & delivery.



Eyebolts Plain Pattern

Drop Forged Carbon Steel, Self-Colored
ASTM A489
Fully Threaded: UNC-2A

Stock No.	A Shank Dia. & Thread UNC-2A	B Shank Length	C Eye I.D.	D Eye O.D.	Weight Lbs.
K-2001	1/4-20	1	3/4	1 3/16	0.06
K-2002	5/16-18	1 1/8	7/8	1 7/16	0.10
K-2003	3/8-16	1 1/4	1	1 21/32	0.15
K-2004	7/16-14	1 3/8	1 3/32	1 27/32	0.21
K-2005	1/2-13	1 1/2	1 3/16	2 1/16	0.30
K-2006	9/16-12	1 5/8	1 9/32	2 9/32	0.55
K-2007	5/8-11	1 3/4	1 3/8	2 1/2	0.61
K-2008	3/4-10	2	1 1/2	2 13/16	0.98
K-2009	7/8-9	2 1/4	1 11/16	3 1/4	1.53
K-2010	1-8	2 1/2	1 13/16	3 9/16	2.06
K-2011	1 1/8-7	2 3/4	2	4	2.96
K-2012	1 1/4-7	3	2 3/16	4 7/16	4.11
K-2014	1 1/2-6	3 1/2	2 1/2	5 3/16	6.73
K-2015	1 3/4-5	3 3/4	2 7/8	6 1/16	11.00
K-2016	2-4 1/2	4	3 1/4	6 7/8	16.25
K-2017	2 1/2-4	5	4	8 9/16	28.00

For full dimension chart and rated capacities refer to page 3.
Blanks in stock. Inquire for price.
Different material grades and lengths available. Inquire for price & delivery.





Eyebolts - Fine Thread, Shoulder Pattern

Drop Forged Carbon Steel, Self-Colored
ASTM A489
Fully Threaded: UNF-2A

Stock No.	A Shank Dia. & Thread UNF-2A	B Shank Length	C Eye I.D.	D Eye O.D.	Weight Lbs.
K-2021-UNF	1/4-28	1	3/4	1 3/16	0.06
K-2022-UNF	5/16-24	1 1/8	7/8	1 7/16	0.11
K-2023-UNF	3/8-24	1 1/4	1	1 21/32	0.18
K-2024-UNF	7/16-20	1 3/8	1 3/32	1 27/32	0.23
K-2025-UNF	1/2-20	1 1/2	1 3/16	2 1/16	0.35
K-2026-UNF	9/16-18	1 5/8	1 9/32	2 9/32	0.47
K-2027-UNF	5/8-18	1 3/4	1 3/8	2 1/2	0.70
K-2028-UNF	3/4-16	2	1 1/2	2 13/16	1.10
K-2029-UNF	7/8-14	2 1/4	1 11/16	3 1/4	1.70
K-2030-UNF	1-12	2 1/2	1 13/16	3 9/16	2.36
K-2030-UNS	1-14	2 1/2	1 13/16	3 9/16	2.36
K-2032-UNF	1 1/4-12	3	2 3/16	4 7/16	4.68



Eyebolts - Fine Thread, Plain Pattern

Drop Forged Carbon Steel, Self-Colored
ASTM A489
Fully Threaded: UNF-2A

Stock No.	A Shank Dia. & Thread UNF-2A	B Shank Length	C Eye I.D.	D Eye O.D.	Weight Lbs.
K-2001-UNF	1/4-28	1	3/4	1 3/16	0.06
K-2002-UNF	5/16-24	1 1/8	7/8	1 7/16	0.10
K-2003-UNF	3/8-24	1 1/4	1	1 21/32	0.15
K-2004-UNF	7/16-20	1 3/8	1 3/32	1 27/32	0.21
K-2005-UNF	1/2-20	1 1/2	1 3/16	2 1/16	0.30
K-2007-UNF	5/8-18	1 3/4	1 3/8	2 1/2	0.61
K-2008-UNF	3/4-16	2	1 1/2	2 13/16	0.98
K-2009-UNF	7/8-14	2 1/4	1 11/16	3 1/4	1.53
K-2010-UNS	1-14	2 1/2	1 13/16	3 9/16	2.06



Eyebolts - 8 & 6 Threads Per Inch, Shoulder & Plain Pattern

Drop Forged Carbon Steel, Self-Colored
ASTM A489
Fully Threaded: 8 T.P.I.

Stock No.	A Shank Dia. & Thread Spec T.P.I.	B Shank Length	C Eye I.D.	D Eye O.D.
Shoulder Pattern				
K-2031-8 SPEC.	1 1/8-8	2 3/4	2	4
K-2032-8 SPEC.	1 1/4-8	3	2 3/16	4 7/16
K-2033-6 SPEC.	1 3/8-6	3 1/2	2 1/2	5 3/16
K-2033-8 SPEC.	1 3/8-8	3 1/2	2 1/2	5 3/16
K-2034-8 SPEC.	1 1/2-8	3 1/2	2 1/2	5 3/16
K-2038-8 SPEC.	1 5/8-8	3 3/4	2 7/8	6 1/16
K-2035-8 SPEC.	1 3/4-8	3 3/4	2 7/8	6 1/16
K-2039-8 SPEC.	1 7/8-8	4	3 1/4	6 7/8
K-2036-8 SPEC.	2-8	4	3 1/4	6 7/8
K-2037-8 SPEC.	2 1/2-8	5	4	8 9/16
Plain Pattern				
K-2015-8 SPEC.	1 3/4-8	3 3/4	2 7/8	6 1/6
K-2016-8 SPEC.	2-8	4	3 1/4	6 7/8
K-2017-8 SPEC.	2 1/2-8	5	4	8 9/16

Eyebolts - Metric Shoulder Pattern

Drop Forged Carbon Steel, Self-Colored
Fully Threaded: ISO Coarse Thread-6g

Stock No.	Approx. Equiv. in Inches	A Thread Size	B Shank Length	C Eye I.D.	D Eye O.D.	Weight Lbs.	Rated Capty. in Kgs.	Rated Capty. in Lbs.
K-M6	1/4	M6 x 1.00	25.4	19.0	30.0	0.06	210	462
K-M7	5/16	M7 x 1.00	28.5	22.0	36.5	0.10	370	814
K-M8	3/8	M8 x 1.25	31.7	25.0	43.0	0.17	500	1,110
K-M10	7/16	M10 x 1.50	35.0	27.0	46.0	0.24	740	1,628
K-M12	1/2	M12 x 1.75	38.0	30.0	54.0	0.36	1,030	2,266
K-M14	9/16	M14 x 2.00	41.1	33.0	58.0	0.48	1,600	3,520
K-M16	5/8	M16 x 2.00	44.5	35.0	65.0	0.69	1,600	3,520
K-M18	3/4	M18 x 2.50	51.0	38.0	71.5	1.10	2,140	4,708
K-M20	7/8	M20 x 2.50	57.0	41.0	81.0	1.51	2,860	6,292
K-M22	1	M22 x 2.50	63.5	46.0	90.4	2.11	2,860	6,292
K-M24	1	M24 x 3.00	63.5	46.0	90.4	2.36	3,850	8,470
K-M27	1 1/8	M27 x 3.00	70.0	51.0	103.0	3.41	5,200	11,440
K-M30	1 1/4	M30 x 3.50	76.0	55.0	112.7	4.68	6,400	14,080
K-M36	1 1/2	M36 x 4.00	89.0	63.0	131.8	7.77	8,970	19,734
K-M42	1 5/8	M42 x 4.50	95.0	73.0	152.4	11.10	11,960	26,312
K-M45	1 3/4	M45 x 4.50	95.0	73.0	152.4	11.35	12,720	27,984
K-M48	1 7/8	M48 x 5.00	101.6	82.0	174.6	15.90	16,400	36,080
K-M52	2	M52 x 5.00	101.6	82.0	174.6	16.70	17,300	38,060
K-M64	2 1/2	M64 x 6.00	127.0	102.0	217.5	29.80	24,458	53,931

Longer lengths available M6 through M24. Inquire for price & delivery.
Plain Pattern available. Inquire for price & delivery.



Eyebolts - Metric, Short Shank Shoulder Pattern

Drop Forged Carbon Steel, Self-Colored
Fully Threaded: ISO Coarse Thread-6g

Stock No.	Approx. Equiv. in Inches	A Thread Size	B Shank Length	C Eye I.D.	D Eye O.D.	Weight Lbs.	Rated Capty. in Kgs.	Rated Capty. in Lbs.
K-M6-A	1/4	M6 x 1.00	12.0	19.0	30.0	0.04	210	462
K-M7-A	5/16	M7 x 1.00	14.0	22.0	36.5	0.08	370	814
K-M8-A	3/8	M8 x 1.25	16.0	25.0	43.0	0.15	500	1,110
K-M10-A	7/16	M10 x 1.50	20.0	27.0	46.0	0.22	740	1,628
K-M12-A	1/2	M12 x 1.75	25.4	30.0	54.0	0.34	1,030	2,266
K-M14-A	9/16	M14 x 2.00	28.0	33.0	58.0	0.46	1,600	3,520
K-M16-A	5/8	M16 x 2.00	32.0	35.0	65.0	0.67	1,600	3,520
K-M18-A	3/4	M18 x 2.50	36.0	38.0	71.5	1.08	2,140	4,708
K-M20-A	7/8	M20 x 2.50	40.0	41.0	81.0	1.49	2,860	6,292
K-M22-A	1	M22 x 2.50	44.0	46.0	90.4	2.09	2,860	6,292
K-M24-A	1	M24 x 3.00	48.0	46.0	90.4	2.34	3,850	8,470
K-M27-A	1 1/8	M27 x 3.00	48.0	51.0	103.0	2.39	5,200	11,440
K-M30-A	1 1/4	M30 x 3.50	60.0	55.0	112.7	4.66	6,400	14,080
K-M36-A	1 1/2	M36 x 4.00	72.0	63.0	131.8	7.75	8,970	19,734
K-M42-A	1 5/8	M42 x 4.50	84.0	73.0	152.4	11.80	11,960	26,312
K-M45-A	1 3/4	M45 x 4.50	84.0	73.0	152.4	11.33	12,720	27,984
K-M48-A	1 7/8	M48 x 5.00	96.0	82.0	174.6	15.88	16,400	36,080
K-M52-A	2	M52 x 5.00	96.0	82.0	174.6	16.68	17,300	38,060

Longer lengths available M6 through M24. Inquire for price & delivery.
Plain Pattern available. Inquire for price & delivery.





Eyebolts - Long Shanks Shoulder Pattern

Drop Forged Carbon Steel, Self-Colored
ASTM A489
Fully Threaded: UNC-2A

Stock No.	A Shank Dia. & Thread UNC-2A	B Shank Length	C Eye I.D.	D Eye O.D.	Weight Lbs.
K-2021-4	1/4-20	4	3/4	1 3/16	0.09
K-2022-4	5/16-18	4	7/8	1 7/16	0.16
K-2023-B	3/8-16	2 1/2	1	1 21/32	0.20
K-2023-3	3/8-16	3	1	1 21/32	0.21
K-2023-4	3/8-16	4	1	1 21/32	0.24
K-2023-6	3/8-16	6	1	1 21/32	0.29
K-2024-6	7/16-14	6	1 3/32	1 27/32	0.39
K-2025-B	1/2-13	2 1/2	1 3/16	2 1/16	0.44
K-2025-3	1/2-13	3	1 3/16	2 1/16	0.45
K-2025-4	1/2-13	4	1 3/16	2 1/16	0.50
K-2025-6	1/2-13	6	1 3/16	2 1/16	0.59
K-2027-B	5/8-11	2 1/2	1 3/8	2 1/2	0.76
K-2027-3	5/8-11	3	1 3/8	2 1/2	0.81
K-2027-4	5/8-11	4	1 3/8	2 1/2	0.89
K-2027-6	5/8-11	6	1 3/8	2 1/2	0.99
K-2028-B	3/4-10	2 1/2	1 1/2	2 13/16	1.23
K-2028-3	3/4-10	3	1 1/2	2 13/16	1.29
K-2028-4	3/4-10	4	1 1/2	2 13/16	1.41
K-2028-6	3/4-10	6	1 1/2	2 13/16	1.42
K-2030-6	1-8	6	1 13/16	3 9/16	2.93

Blanks in stock. Inquire for price.



Eyebolts - Long Shanks Plain Pattern

Drop Forged Carbon Steel, Self-Colored
ASTM A489
Fully Threaded: UNC-2A

Stock No.	A Shank Dia. & Thread UNC-2A	B Shank Length	C Eye I.D.	D Eye O.D.	Weight Lbs.
K-2003-B	3/8-16	2 1/2	1	1 21/32	0.18
K-2003-3	3/8-16	3	1	1 21/32	0.19
K-2003-6	3/8-16	6	1	1 21/32	0.28
K-2005-B	1/2-16	2 1/2	1 3/16	2 1/16	0.33
K-3005-3	1/2-13	3	1 3/16	2 1/16	0.36
K-2005-6	1/2-13	6	1 3/16	2 1/16	0.52
K-2007-B	5/8-11	2 1/2	1 3/8	2 1/2	0.60
K-2007-3	5/8-11	3	1 3/8	2 1/2	0.64
K-2007-6	5/8-11	6	1 3/8	2 1/2	0.90
K-2008-B	3/4-10	2 1/2	1 1/2	2 13/16	0.91
K-2008-3	3/4-10	3	1 1/2	2 13/16	0.97
K-2008-6	3/4-10	6	1 1/2	2 13/16	1.34
K-2009-6	7/8-9	6	1 11/16	3 1/4	1.93

Blanks in stock. Inquire for price.

Eyebolts - Zinc Plated

Shoulder Pattern

Drop Forged Carbon Steel

ASTM A489

Fully Threaded: UNC-2A

Stock No.	A Shank Dia. & Thread UNC-2A*	B Shank Length	C Eye I.D.	D Eye O.D.	Weight Lbs.
K-2021-ZN	1/4-20	1	3/4	1 3/16	0.06
K-2022-ZN	5/16-18	1 1/8	7/8	1 7/16	0.11
K-2023-ZN	3/8-16	1 1/4	1	1 21/32	0.18
K-2024-ZN	7/16-14	1 3/8	1 3/32	1 27/32	0.23
K-2025-ZN	1/2-13	1 1/2	1 3/16	2 1/16	0.35
K-2025-A-ZN	1/2-13	1	1 3/16	2 1/16	0.33
K-2026-ZN	9/16-12	1 5/8	1 9/32	2 9/32	0.47
K-2027-ZN	5/8-11	1 3/4	1 3/8	2 1/2	0.70
K-2028-ZN	3/4-10	2	1 1/2	2 13/16	1.10
K-2029-ZN	7/8-9	2 1/4	1 11/16	3 1/4	1.70
K-2030-ZN	1-8	2 1/2	1 13/16	3 9/16	2.36
K-2031-ZN	1 1/8-7	2 3/4	2	4	3.41
K-2032-ZN	1 1/4-7	3	2 3/16	4 7/16	4.68
K-2034-ZN	1 1/2-6	3 1/2	2 1/2	5 3/16	7.77
K-2035-ZN	1 3/4-5	3 3/4	2 7/8	6 1/16	11.35
K-2036-ZN	2-4 1/2	4	3 1/4	6 7/8	16.70
K-2037-ZN	2 1/2-4	5	4	8 9/16	29.80

**Before Plating.*



Eyebolts - Zinc Plated

Plain Pattern

Drop Forged Carbon Steel

ASTM A489

Fully Threaded: UNC-2A

Stock No.	A Shank Dia. & Thread UNC-2A*	B Shank Length	C Eye I.D.	D Eye O.D.	Weight Lbs.
K-2001-ZN	1/4-20	1	3/4	1 3/16	0.06
K-2002-ZN	5/16-18	1 1/8	7/8	1 7/16	0.10
K-2003-ZN	3/8-16	1 1/4	1	1 21/32	0.15
K-2004-ZN	7/16-14	1 3/8	1 3/32	2 27/32	0.21
K-2005-ZN	1/2-13	1 1/2	1 3/16	2 1/16	0.30
K-2006-ZN	9/16-12	1 5/8	1 9/32	2 9/32	0.55
K-2007-ZN	5/8-11	1 3/4	1 3/8	2 9/32	0.61
K-2008-ZN	3/4-10	2	1 1/2	2 13/16	0.98
K-2009-ZN	7/8-9	2 1/4	1 11/16	3 1/4	1.53
K-2010-ZN	1-8	2 1/2	1 13/16	3 9/16	2.06
K-2011-ZN	1 1/8-7	2 3/4	2	4	2.96
K-2012-ZN	1 1/4-7	3	2 3/16	4 7/16	4.11
K-2014-ZN	1 1/2-6	3 1/2	2 1/2	5 3/16	6.73
K-2015-ZN	1 3/4-5	3 3/4	2 7/8	6 1/16	11.00
K-2016-ZN	2-4 1/2	4	3 1/4	6 7/8	16.25
K-2017-ZN	2 1/2-4	5	4	8 9/16	28.00

**Before Plating.*



Eyebolts - Zinc Plated - Fine Thread Shoulder Pattern

Drop Forged Carbon Steel
ASTM A489
Fully Threaded: UNS-2A

Stock No.	A Shank Dia. & Thread UNS-2A*	B Shank Length	C Eye I.D.	D Eye O.D.	Weight Lbs.
K-2029-UNF-ZN	7/8-14	2 1/4	1 11/16	3 1/4	1.70
K-2030-UNS-ZN	1-14	2 1/2	1 13/16	3 9/16	2.36

**Before Plating.*



Eyebolts - Zinc Plated - Fine Thread Plain Pattern

Drop Forged Carbon Steel
ASTM A489
Fully Threaded: UNS-2A

Stock No.	A Shank Dia. & Thread UNC-2A*	B Shank Length	C Eye I.D.	D Eye O.D.	Weight Lbs.
K-2006-UNF-ZN	9/16-18	1 5/8	1 9/32	2 9/32	0.55
K-2009-UNF-ZN	7/8-9	2 1/4	1 11/16	3 1/4	1.53
K-2010-UNS-ZN	1-14	2 1/2	1 13/16	3 9/16	2.06

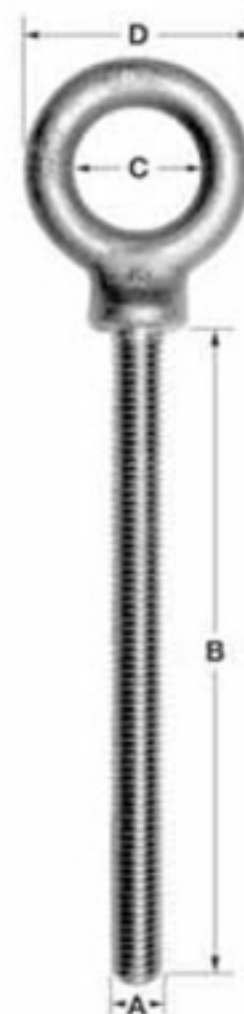
**Before Plating.*



Eyebolts - Zinc Plated, Long Shank Shoulder Pattern

Drop Forged Carbon Steel
ASTM A489
Fully Threaded: UNC-2A

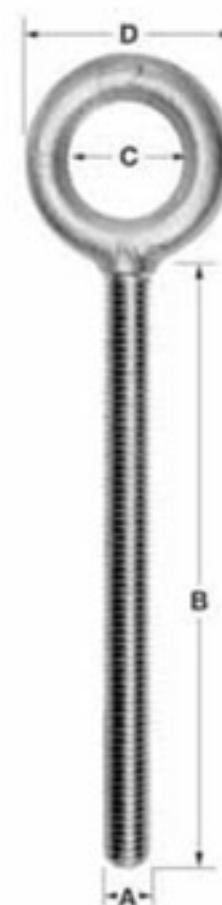
Stock No.	A Shank Dia. & Thread UNC-2A*	B Shank Length	C Eye I.D.	D Eye O.D.	Weight Lbs.
K-2022-B-ZN	5/16-18	2 1/2	7/8	1 7/16	0.13
K-2023-B-ZN	3/8-16	2 1/2	1	1 21/32	0.20
K-2023-3-ZN	3/8-16	3	1	1 21/32	0.21
K-2023-4-1/2-ZN	3/8-16	4 1/2	1	1 21/32	0.25
K-2025-B-ZN	1/2-13	2 1/2	1 3/16	2 1/16	0.44
K-2025-3-ZN	1/2-13	3	1 3/16	2 1/16	0.45
K-2025-4-ZN	1/2-13	4	1 3/16	2 1/16	0.50
K-2025-4-1/2-ZN	1/2-13	4 1/2	1 3/16	2 1/16	0.51
K-2027-B-ZN	5/8-11	2 1/2	1 3/8	2 1/2	0.76
K-2027-3-ZN	5/8-11	3	1 3/8	2 1/2	0.81
K-2027-4-ZN	5/8-11	4	1 3/8	2 1/2	0.89
K-2027-4-1/2-ZN	5/8-11	4 1/2	1 3/8	2 1/2	0.94
K-2028-B-ZN	3/4-10	2 1/2	1 1/2	2 13/16	1.23
K-2028-3-ZN	3/4-10	3	1 1/2	2 13/16	1.29
K-2028-6-ZN	3/4-10	6	1 1/2	2 13/16	1.42



Eyebolts - Zinc Plated, Long Shank Plain Pattern

Drop Forged Carbon Steel
ASTM A489
Fully Threaded: UNC-2A

Stock No.	A Shank Dia. & Thread UNC-2A*	B Shank Length	C Eye I.D.	D Eye O.D.	Weight Lbs.
K-2003-B-ZN	3/8-16	2 1/2	1	1 21/32	0.18
K-2003-3-ZN	3/8-16	3	1	1 21/32	0.19
K-2003-4-1/2-ZN	3/8-16	4 1/2	1	1 21/32	0.24
K-2005-B-ZN	1/2-13	2 1/2	1 3/16	2 1/16	0.33
K-2005-3-ZN	1/2-13	3	1 3/16	2 1/16	0.36
K-2005-4-ZN	1/2-13	4	1 3/16	2 1/16	0.41
K-2005-4-1/2-ZN	1/2-13	4 1/2	1 3/16	2 1/16	0.44
K-2007-B-ZN	5/8-11	2 1/2	1 3/8	2 1/2	0.60
K-2007-3-ZN	5/8-11	3	1 3/8	2 1/2	0.64
K-2007-4-ZN	5/8-11	4	1 3/8	2 1/2	0.73
K-2007-4-1/2-ZN	5/8-11	4 1/2	1 3/8	2 1/2	0.77
K-2008-B-ZN	3/4-10	2 1/2	1 1/2	2 13/16	0.91
K-2008-3-ZN	3/4-10	3	1 1/2	2 13/16	0.97



Eyebolts - Galvanized Shoulder Pattern

Drop Forged Carbon Steel
ASTM A489 Fully Threaded: UNC-2A *before galvanizing*
Mating part must be oversized in accordance with ASTM A 563

Stock No.	A Shank Dia. & Thread UNC-2A*	B Shank Length	C Eye I.D.	D Eye O.D.	Weight Lbs.
K-2023-HDG	3/8-16	1 1/4	1	1 21/32	0.18
K-2023-A-HDG	3/8-16	3/4	1	1 21/32	0.17
K-2025-HDG	1/2-13	1 1/2	1 3/16	2 1/16	0.35
K-2025-A-HDG	1/2-13	1	1 3/16	2 1/16	0.33
K-2027-HDG	5/8-11	1 3/4	1 3/8	2 1/2	0.70
K-2027-A-HDG	5/8-11	1 1/4	1 3/8	2 1/2	0.61
K-2028-HDG	3/4-10	2	1 1/2	2 13/16	1.10
K-2028-A-HDG	3/4-10	1 1/2	1 1/2	2 13/16	1.00
K-2029-HDG	7/8-9	2 1/4	1 11/16	3 1/4	1.70
K-2030-HDG	1-8	2 1/2	1 13/16	3 9/16	2.36
K-2031-HDG	1 1/8-7	2 3/4	2	4	3.41
K-2032-HDG	1 1/4-7	3	2 3/16	4 7/16	4.68
K-2034-HDG	1-1/2-6	3 1/2	2 1/2	5 3/16	7.77
K-2035-HDG	1 3/4-5	3 3/4	2 7/8	6 1/16	11.35
K-2036-HDG	2-4 1/2	4	3 1/4	6 7/8	16.70
K-2037-HDG	2 1/2-4	5	4	8 9/16	28.80

**Before galvanizing.*



Eyebolts - Galvanized, Long Shank Shoulder Pattern

Drop Forged Carbon Steel

ASTM A489 Fully Threaded: UNC-2A *before galvanizing*

Mating part must be oversized in accordance with ASTM A 563

Stock No.	A	B	C	D	Weight Lbs.
	Shank Dia. & Thread UNC-2A*	Shank Length	Eye I.D.	Eye O.D.	
K-2027-4-HDG	5/8-11	4	1 3/8	2 1/2	0.89
K-2027-4-1/2-HDG	5/8-11	4 1/2	1 3/8	2 1/2	0.94

**Before galvanizing.*



Eyebolts - Galvanized Plain Pattern

Drop Forged Carbon Steel

ASTM A489 Fully Threaded: UNC-2A *before galvanizing*

Mating part must be oversized in accordance with ASTM A 563

Stock No.	A	B	C	D	Weight Lbs.
	Shank Dia. & Thread UNC-2A*	Shank Length	Eye I.D.	Eye O.D.	
K-2003-HDG	3/8-16	1 1/4	1	1 21/32	0.15
K-2005-HDG	1/2-13	1 1/2	1 3/16	2 1/16	0.30
K-2007-HDG	5/8-11	1 3/4	1 3/8	2 1/2	0.61
K-2008-HDG	3/4-12	2	1 1/2	2 13/16	0.98
K-2009-HDG	7/8-9	2 1/4	1 11/16	3 1/4	1.53
K-2010-HDG	1-8	2 1/2	1 13/16	3 9/16	2.06
K-2011-HDG	1 1/8-7	2 3/4	2	4	2.96
K-2012-HDG	1 1/4-7	3	2 3/16	4 7/16	4.11
K-2014-HDG	1 1/2-6	3 1/2	2 1/2	5 3/16	6.73
K-2015-HDG	1 3/4-5	3 3/4	2 7/8	6 1/16	11.00
K-2016-HDG	2-4 1/2	4	3 1/4	6 7/8	16.25
K-2017-HDG	2 1/2-4	5	4	8 9/16	28.00

**Before galvanizing.*



Eyebolts - Galvanized, Long Shank Plain Pattern

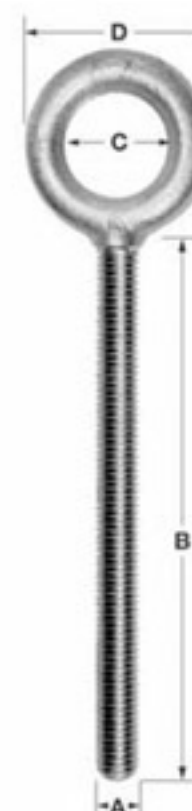
Drop Forged Carbon Steel

ASTM A489 Fully Threaded: UNC-2A *before galvanizing*

Mating part must be oversized in accordance with ASTM A 563

Stock No.	A	B	C	D	Weight Lbs.
	Shank Dia. & Thread UNC-2A*	Shank Length	Eye I.D.	Eye O.D.	
K-2007-4-HDG	5/8-11	4	1 3/8	2 1/2	0.73
K-2007-4-1/2-HDG	5/8-11	4 1/2	1 3/8	2 1/2	0.78

**Before galvanizing.*



Eyebolts - 8620 Alloy Shoulder Pattern

Drop Forged Carbon Steel, Self-Colored
ASTM F 541
Fully Threaded: UNC-2A

Stock No.	A Shank Dia. & Thread UNC-2A	B Shank Length	C Eye I.D.	D Eye O.D.	Weight Lbs.	Rated Capty. Lbs.
K-2023-LT	3/8-16	1 1/4	1	1 21/32	0.18	1,480
K-2025-LT	1/2-13	1 1/2	1 3/16	2 1/16	0.35	2,700
K-2027-LT	5/8-11	1 3/4	1 3/8	2 1/2	0.70	4,300
K-2028-LT	3/4-10	2	1 1/2	2 13/16	1.10	6,400
K-2029-LT	7/8-9	2 1/4	1 11/16	3 1/4	1.70	8,800
K-2030-LT	1-8	2 1/2	1 13/16	3 9/16	2.36	11,600
K-2032-LT	1 1/4-7	3	2 3/16	4 7/16	4.68	18,400
K-2034-LT	1 1/2-6	3 1/2	2 1/2	5 3/16	7.77	26,600
K-2036-LT	2-4 1/2	4	3 1/4	6 7/8	16.70	47,600

Blanks in stock. Inquire for price.



Eyebolts - 8620 Alloy Plain Pattern

Drop Forged Carbon Steel, Self-Colored
ASTM F 541
Fully Threaded: UNC-2A

Stock No.	A Shank Dia. & Thread UNC-2A	B Shank Length	C Eye I.D.	D Eye O.D.	Weight Lbs.	Rated Capty. Lbs.
K-2003-LT	3/8-16	1 1/4	1	1 21/32	0.15	1,480
K-2005-LT	1/2-13	1 1/2	1 3/16	2 1/16	0.30	2,700
K-2007-LT	5/8-11	1 3/4	1 3/8	2 1/2	0.61	4,300
K-2008-LT	3/4-10	2	1 1/2	2 13/16	0.98	6,400
K-2009-LT	7/8-9	2 1/4	1 11/16	3 1/4	1.53	8,800
K-2010-LT	1-8	2 1/2	1 13/16	3 9/16	2.06	11,600

Blanks in stock. Inquire for price.



Eyebolts - 304 Stainless Shoulder Pattern

Drop Forged Stainless Steel, Passivated & Electropolished
ASTM A193-B8
Fully Threaded: UNC-2A

Stock No.	A Shank Dia. & Thread UNC-2A	B Shank Length	C Eye I.D.	D Eye O.D.	Weight Lbs.
K-2021-SS	1/4-20	1	3/4	1 3/16	0.06
K-2022-SS	5/16-18	1 1/8	7/8	1 7/16	0.11
K-2023-SS	3/8-16	1 1/4	1	1 21/32	0.20
K-2025-SS	1/2-13	1 1/2	1 3/16	2 1/16	0.42
K-2027-SS	5/8-11	1 3/4	1 3/8	2 1/2	0.70
K-2028-SS	3/4-10	2	1 1/2	2 13/16	1.08
K-2029-SS	7/8-9	2 1/4	1 11/16	3 1/4	1.70
K-2030-SS	1-8	2 1/2	1 13/16	3 9/16	2.46
K-2032-SS	1 1/4-7	3	2 3/16	4 7/16	4.87

Blanks in stock (Not passivated or electropolished). Inquire for price.



Eyebolts - 304 Stainless Plain Pattern

Drop Forged Stainless Steel, Passivated & Electropolished
ASTM A193-B8
Fully Threaded: UNC-2A

Stock No.	A Shank Dia. & Thread UNC-2A	B Shank Length	C Eye I.D.	D Eye O.D.	Weight Lbs.
K-2001-SS	1/4-20	1	3/4	1 3/16	0.06
K-2002-SS	5/16-18	1 1/8	7/8	1 7/16	0.10
K-2003-SS	3/8-16	1 1/4	1	1 21/32	0.15
K-2005-SS	1/2-13	1 1/2	1 3/16	2 1/16	0.30
K-2007-SS	5/8-11	1 3/4	1 3/8	2 1/2	0.61
K-2008-SS	3/4-10	2	1 1/2	2 13/16	0.98
K-2010-SS	1-8	2 1/2	1 13/16	3 9/16	2.06
K-2012-SS	1 1/4-7	3	2 3/16	7 1/16	4.11

Blanks in stock (Not passivated or electropolished). Inquire for price.



Eyebolts - 304 Stainless - Long Shank Shoulder Pattern

Drop Forged Stainless Steel, Passivated & Electropolished
ASTM A193-B8
Fully Threaded: UNC-2A

Stock No.	A Shank Dia. & Thread UNC-2A	B Shank Length	C Eye I.D.	D Eye O.D.	Weight Lbs.
K-2021-1 1/2-SS	1/4-20	1 1/2	3/4	1 3/16	0.07
K-2021-2-SS	1/4-20	2	3/4	1 3/16	0.07
K-2021-3-SS	1/4-20	3	3/4	1 3/16	0.08
K-2021-4-SS	1/4-20	4	3/4	1 3/16	0.09
K-2022-1 1/2-SS	5/16-18	1 1/2	7/8	1 7/16	0.12
K-2022-2-SS	5/16-18	2	7/8	1 7/16	0.13
K-2022-3-SS	5/16-18	3	7/8	1 7/16	0.14
K-2022-4-SS	5/16-18	4	7/8	1 7/16	0.16
K-2023-2 1/2-SS	3/8-16	2 1/2	1	1 21/32	0.22
K-2023-3-SS	3/8-16	3	1	1 21/32	0.23
K-2023-4-SS	3/8-16	4	1	1 21/32	0.25
K-2025-2 1/2-SS	1/2-13	2 1/2	1 3/16	2 1/16	0.45
K-2025-3-SS	1/2-13	3	1 3/16	2 1/16	0.47
K-2025-4-SS	1/2-13	4	1 3/16	2 1/16	0.50
K-2027-2 1/2-SS	5/8-11	2 1/2	1 3/8	2 1/2	0.77
K-2027-3-SS	5/8-11	3	1 3/8	2 1/2	0.80
K-2027-4-SS	5/8-11	4	1 3/8	2 1/2	0.86
K-2028-2 1/2-SS	3/4-10	2 1/2	1 1/2	2 13/16	1.08
K-2028-3-SS	3/4-10	3	1 1/2	2 13/16	1.12
K-2028-4-SS	3/4-10	4	1 1/2	2 13/16	1.23

Blanks in stock (Not passivated or electropolished). Inquire for price.

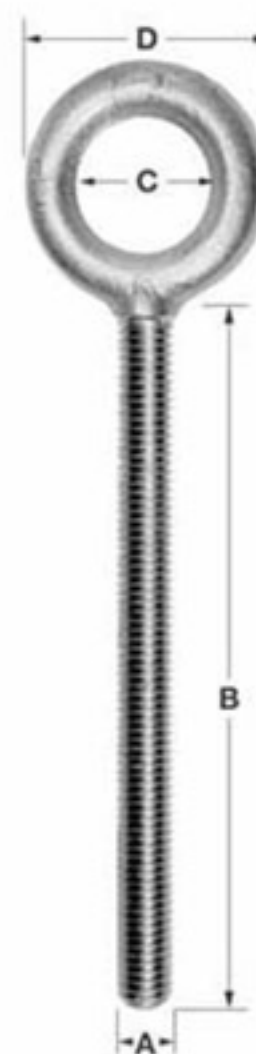


Eyebolts - 304 Stainless - Long Shank Plain Pattern

Drop Forged Stainless Steel, Passivated & Electropolished
ASTM A193-B8
Fully Threaded: UNC-2A

Stock No.	A Shank Dia. & Thread UNC-2A	B Shank Length	C Eye I.D.	D Eye O.D.	Weight Lbs.
K2003-3-SS	3/8-16	3	1	1 21/32	0.20
K2003-6-SS	3/8-16	6	1	1 21/32	0.28
K2005-3-SS	1/2-13	3	1 3/16	2 1/16	0.42
K2005-6-SS	1/2-13	6	1 3/16	2 1/16	0.52

Blanks in stock (Not passivated or electropolished). Inquire for price.



Eyebolts - 316 Stainless Shoulder Pattern

Drop Forged Stainless Steel, Passivated & Electropolished
ASTM A193-B8M
Fully Threaded: UNC-2A

Stock No.	A Shank Dia. & Thread UNC-2A	B Shank Length	C Eye I.D.	D Eye O.D.	Weight Lbs.
k-2021-316SS	1/4-20	1	3/4	1 3/16	0.06
k-2022-316SS	5/16-18	1 1/8	7/8	1 7/16	0.11
k-2023-316SS	3/8-16	1 1/4	1	1 21/32	0.20
k-2025-316SS	1/2-13	1 1/2	1 3/16	2 1/16	0.42
k-2027-316SS	5/8-11	1 3/4	1 3/8	2 1/2	0.70
k-2028-316SS	3/4-10	2	1 1/2	2 13/16	1.08
k-2029-316SS	7/8-9	2 1/4	1 11/16	3 1/4	1.70
k-2030-316SS	1-8	2 1/2	1 13/16	3 9/16	2.46
k-2032-316SS	1 1/4-7	3	2 3/16	4 7/16	4.87

Blanks in stock (Not passivated or electropolished). Inquire for price.



Eyebolts - 316 Stainless Plain Pattern

Drop Forged Stainless Steel, Passivated & Electropolished
ASTM A193-B8M
Fully Threaded: UNC-2A

Stock No.	A Shank Dia. & Thread UNC-2A	B Shank Length	C Eye I.D.	D Eye O.D.	Weight Lbs.
k-2002-316SS	5/16-18	1 1/8	7/8	1 7/16	0.10
k-2003-316SS	3/8-16	1 1/4	1	1 21/32	0.15
k-2005-316SS	1/2-13	1 1/2	1 3/16	2 1/16	0.42

Blanks in stock (Not passivated or electropolished). Inquire for price.



Eyebolts - 316 Stainless - Long Shank Shoulder Pattern

Drop Forged Stainless Steel, Passivated & Electropolished
ASTM A193-B8M
Fully Threaded: UNC-2A

Stock No.	A Shank Dia. & Thread UNC-2A	B Shank Length	C Eye I.D.	D Eye O.D.	Weight Lbs.
k-2025-2 1/2-316SS	1/2-13	2 1/2	1 3/16	2 1/16	0.45
k-2025-3-316SS	1/2-13	3	1 3/16	2 1/16	0.47
k-2025-4-316SS	1/2-13	4	1 3/16	2 1/16	0.50

Blanks in stock (Not passivated or electropolished). Inquire for price.

