

Absolute encoders - modular bus covers

Solid shaft with clamping or synchro flange

Optical multiturn encoders 13 bit ST / 16 bit MT

GXMMW



GXMMW with modular bus cover

Features

- Encoder multiturn / bus cover
- Optical sensing method
- Resolution: singleturn 13 bit, multiturn 16 bit
- Clamping or synchro flange
- CANopen®/DeviceNet/EtherCAT/EtherNet-IP
SAEJ1939/PROFINET/POWERLINK/Profibus/SSI
- Code continuity check optional by bus
- Maximum resistant against magnetic fields

Optional

- Incremental outputs and stainless steel design

Technical data - electrical ratings

Voltage supply	10...30 VDC
Reverse polarity protection	Yes
Consumption w/o load	≤100 mA (24 VDC)
Initializing time typ.	250 ms after power on
Interfaces	CANopen®, DeviceNet, EtherCAT, EtherNet/IP, Profibus, PROFINET, POWERLINK, SAE J1939, SSI
Function	Multiturn
Device adress	Rotary switch in bus cover (type-specific)
Steps per revolution	≤8192 / 13 bit
Number of revolutions	≤65536 / 16 bit
Absolute accuracy	±0.025 °
Sensing method	Optical
Code	Binary
Code sequence	CW/CCW programmable
Incremental output	2048 pulses A90°B (optional)
Interference immunity	DIN EN 61000-6-2
Emitted interference	DIN EN 61000-6-4
Programmable parameters	Steps per revolution Number of revolutions Preset Scaling Rotating direction
Diagnostic functions	Position or parameter error Multiturn sensing
Status indicator	DUO-LED integrated in bus cover
Approval	UL approval / E63076

Technical data - mechanical design

Size (flange)	ø58 mm
Shaft type	ø10 mm solid shaft (clamping flange) ø6 mm solid shaft (synchro flange)
Flange	Clamping or synchro flange
Protection DIN EN 60529	IP 54 (without shaft seal), IP 65 (with shaft seal)
Operating speed	≤10000 rpm (mechanical) ≤6000 rpm (electric)
Starting acceleration	≤1000 U/s ²
Starting torque	≤0.015 Nm (+25 °C, IP 54) ≤0.03 Nm (+25 °C, IP 65)
Rotor moment of inertia	20 gcm ²
Admitted shaft load	≤20 N axial ≤40 N radial
Materials	Housing: steel Flange: aluminium Bus cover: zinc die-cast
Operating temperature	-25...+85 °C -40...+85 °C (optional)
Relative humidity	95 % non-condensing
Resistance	DIN EN 60068-2-6 Vibration 10 g, 16-2000 Hz DIN EN 60068-2-27 Shock 200 g, 6 ms
Weight approx.	650 g
Connection	Bus cover

Absolute encoders - modular bus covers

Solid shaft with clamping or synchro flange

Optical multiturn encoders 13 bit ST / 16 bit MT

GXMMW

Part number

GXMMW. 20

Interface

3P32	Profibus-DPV0 / cable gland
3PA2	Profibus-DPV0 / connector M12
3V32	Profibus-DPV2 / cable gland
3VA2	Profibus-DPV2 / connector M12
3EA2	PROFINET / connector M12
EPA6	EtherCAT / connector M12
8EA2	EtherNet/IP / connector M12
5EA4	POWERLINK / connector M12
5P32	CANopen® / cable gland
5PA2	CANopen® / connector M12
8P22	DeviceNet / cable gland
8PA2	DeviceNet / connector M12
2PA2	SSI / connector M12
5B32	SAEJ1939 / cable gland
5BA2	SAEJ1939 / connector M12

Flange / Solid shaft

- 0 Clamping flange / \varnothing 10 mm, IP 54
- A Clamping flange / \varnothing 10 mm, IP 65
- 1 Synchro flange / \varnothing 6 mm, IP 54
- B Synchro flange / \varnothing 6 mm, IP 65

CD with file descriptions is not included in the delivery.
You may order them on CD as accessory under part number Z 150.022.

Accessories

Connectors and cables

11034355 Cable connector M12, 4-pin, on both sides, D-coded, 5 m cable (Z 185.E05)

Mounting accessories

10117669 Eccentric fixing, single (Z 119.006)

10141255 Adaptor plate for clamping flange for modification into synchro flange (Z 119.013)

10117667 Mounting adaptor for encoders with synchro flange (Z 119.015)

10125051 Mounting adaptor for encoders with clamping flange (M3) (Z 119.017)

10158124 Bearing flange for encoders with synchro flange (Z 119.035)

10141132 Spring washer coupling D1=6 / D2=10 (Z 121.C01)

Programming accessories

10146710 CD with describing files & manuals (Z 150.022)

11034193 Programming cable for encoders with SSI bus cover, CD with software and manual (Z 139.008)

Absolute encoders - modular bus covers

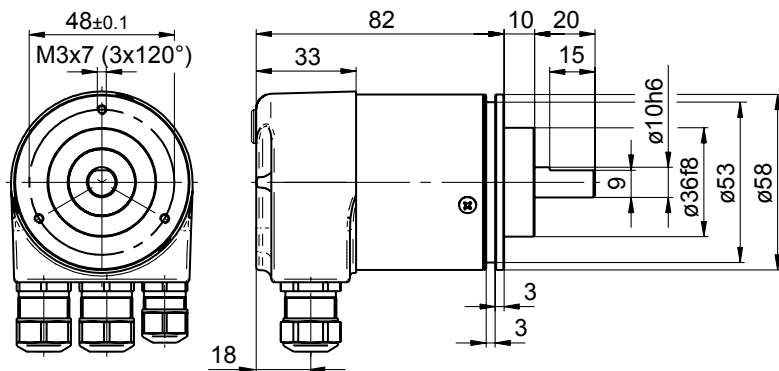
Solid shaft with clamping or synchro flange

Optical multturn encoders 13 bit ST / 16 bit MT

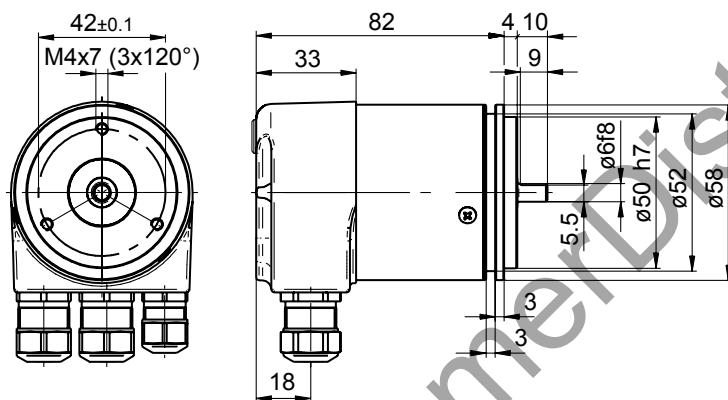
GXMMW

Dimensions

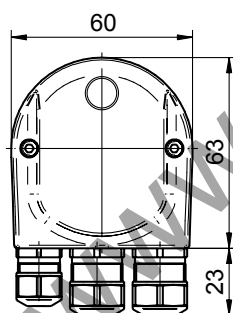
GXMMW - clamping flange



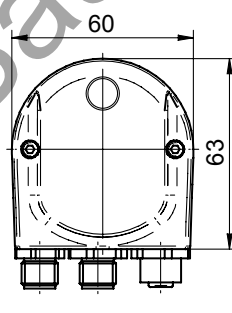
GXMMW - synchro flange



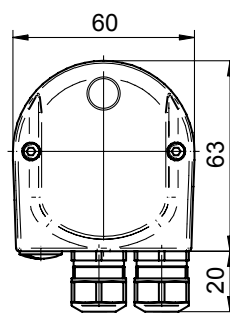
Profibus-DP/CANopen®



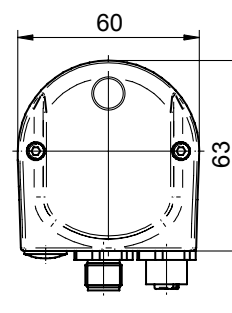
Profibus-DP - M12



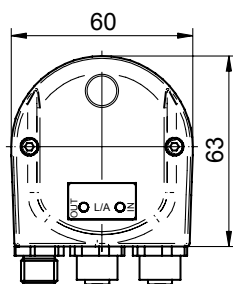
DeviceNet



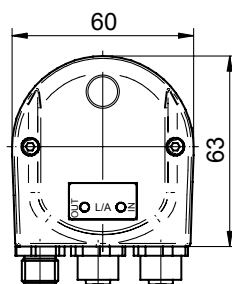
CANopen®/DeviceNet M12



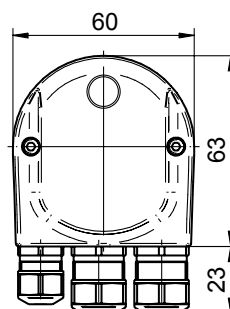
EtherCAT/EtherNet-IP



PROFINET/POWERLINK



SAEJ1939



SAEJ1939 - M12

