

Screw pumps - PA0M series with strainer



For hydraulic oils, lubricating oils

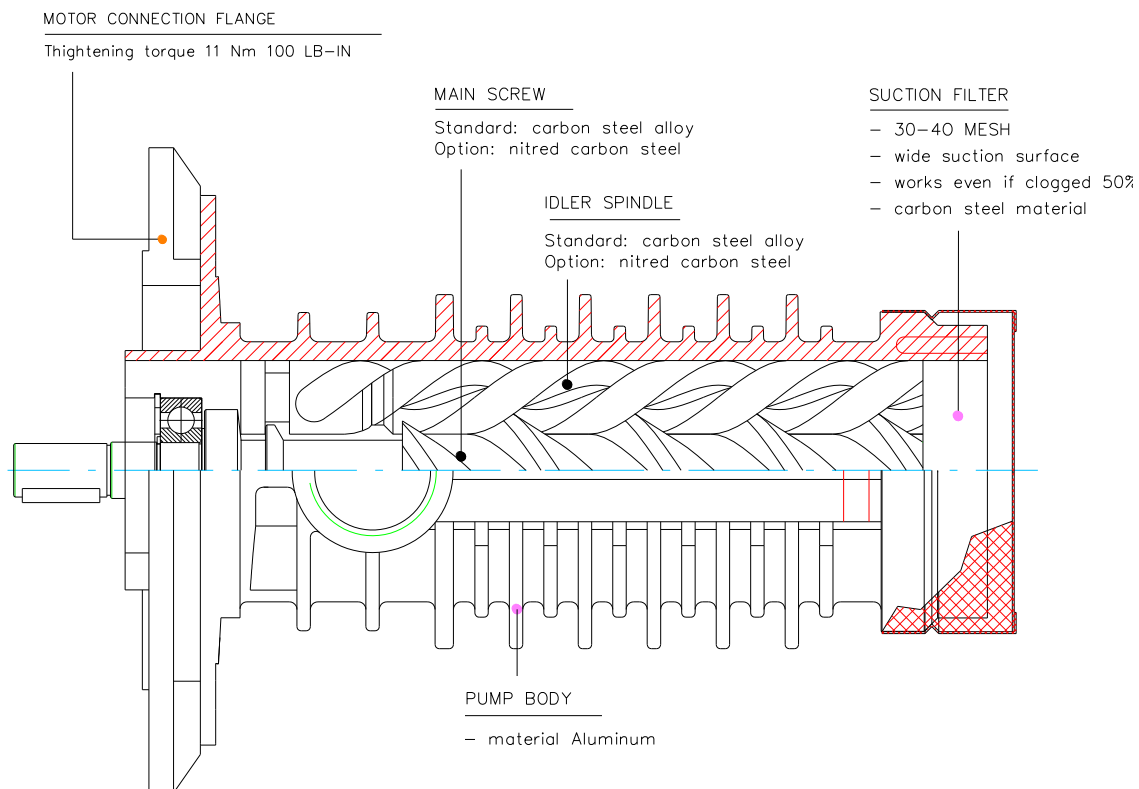
Admissible delivery pressure (continuous) = 50 bar at 2900 rpm

ISO 3019/2 motor connection

Main field of application:

Pump submersible into tank for lubrication systems, auxiliary filtration system, cooling system

Section and components



Functional characteristics standard version

Delivery flow	10 to 850 l/min (2,6 to 224 USGPM)
Admissible delivery pressure*	up to 50 bar (725,2 psi) continuous, 75 bar (1088 psi) peak at 2900 rpm
Admissible suction pressure	submerged in oil
Kinematics viscosity	10 to 400 cSt For different values contact SEIM
Admissible temperature	0 to 100 °C (32 to 212 °F) For different values contact SEIM
Driving speed	750 to 3600 rpm
Average noise level	58 ÷ 68 dB(A) at 2900 rpm according to pump dimension
Raccomended filtration	60 micron max, suction side (not abrasive contaminant) ISO4406 19 / 16 - NAS 10
Direction of rotation	clockwise, as seen from the driving side

* Reduced pressure limits apply due to fluid viscosity and driving speed
Consult the performance charts for the individual pump size

For different functional characteristics, please contact our sales department

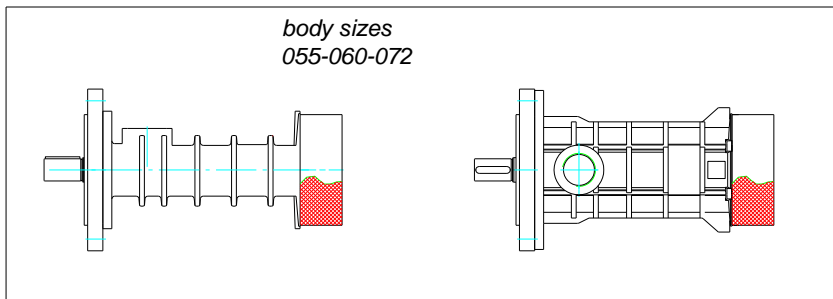
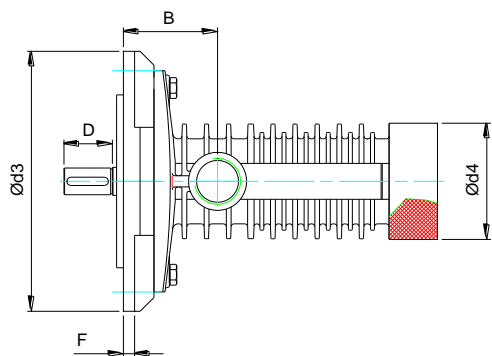
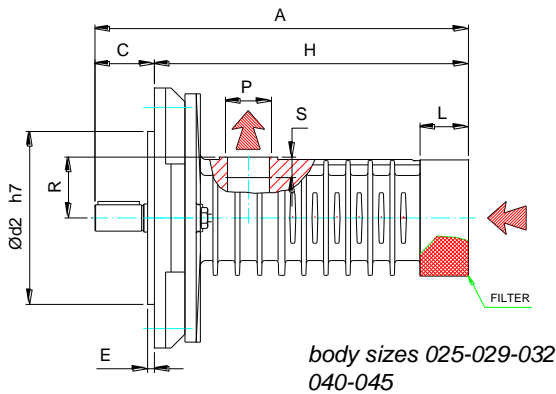
Screw pumps – PA series with strainer



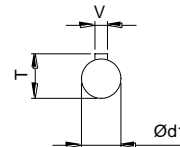
For hydraulic oils, lubricating oils

Admissible delivery pressure (continuous) = 50 bar at 2900 rpm

ISO 3019/2 motor connection



shaft detail



SM - STE - PA.0M - ENG - 01-14-5

Dimensional chart (mm)

SIZE	A	B	C	D	E	F	H	L	P GAS	R	S	T	V	d1	d2	d3	d4
PA025#6.0M	270	68	43	35	5	8	227	35	1"	44	24	21,5	6	19	125	188	84
PA029#6.0M	270	68	43	35	5	8	227	35	1"	44	24	21,5	6	19			84
PA032#4.0M	279	68	43	35	5	8	236	35	1"	46.5	26	21,5	6	19			84
PAP040#4.0M	357	65.5	43	35	5	8	314	65 (*)	1"	53	27,5	21,5	6	19			124
PAP045#4.0M	361	72.5	47	40	5	8	314	65 (*)	1½"	52.5	30	27	8	24			124
PA055#4.0M	420	86	63	55	5	22	357	50	1½"	60	28	35	10	32	160	234	162
PA060#4.0M	464	86	63	57	5	22	401	50	2"	60	30	35	10	32			162
PA072#4.0M	560	112	63	58	5	22	497	130	2"	72	30	41	10	38			190

(*) Available with short filter L = 30 mm

SEIM srl
Via A. Volta 17
20090 Cusago (MI) ITALY
Tel. (+39) 02.90.39.21.1
Fax (+39) 02.90.39.21.41
e-mail: seim@seim.it

www.seim.it

SEIM reserves the right to introduce dimensional changes or variation to the products of this technical data