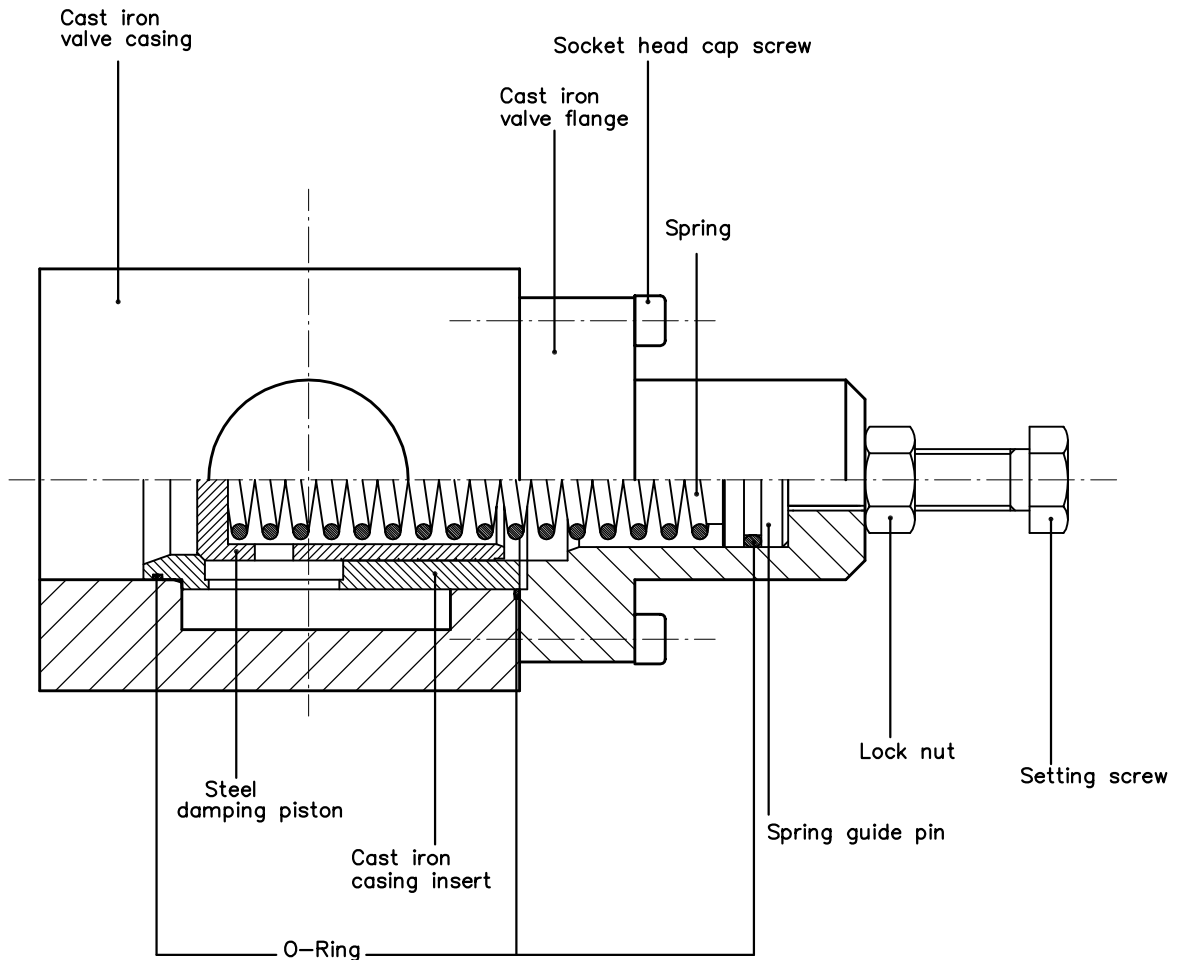


# Pressure relief valve – VMP

For hydraulic oils, lubricating oils, fuel oils and cooling lubricants emulsions



## Section and components



## Functional characteristics standard version

<b>Delivery flow</b>	30 to 1200 l/min ( 7,9 to 316,8 USGPM)
<b>Max pressure*</b>	see dimensional chart
<b>Kinematics viscosity</b>	10 to 5000 cSt <span style="float: right;">For different values contact SEIM</span>
<b>Admissible temperature</b>	0 to 100 °C (32 to 212 °F) <span style="float: right;">For different values contact SEIM</span>
<b>Recommended filtration</b>	60 micron max, suction side (not abrasive contaminant) ISO4406 19 / 16 – NAS 10

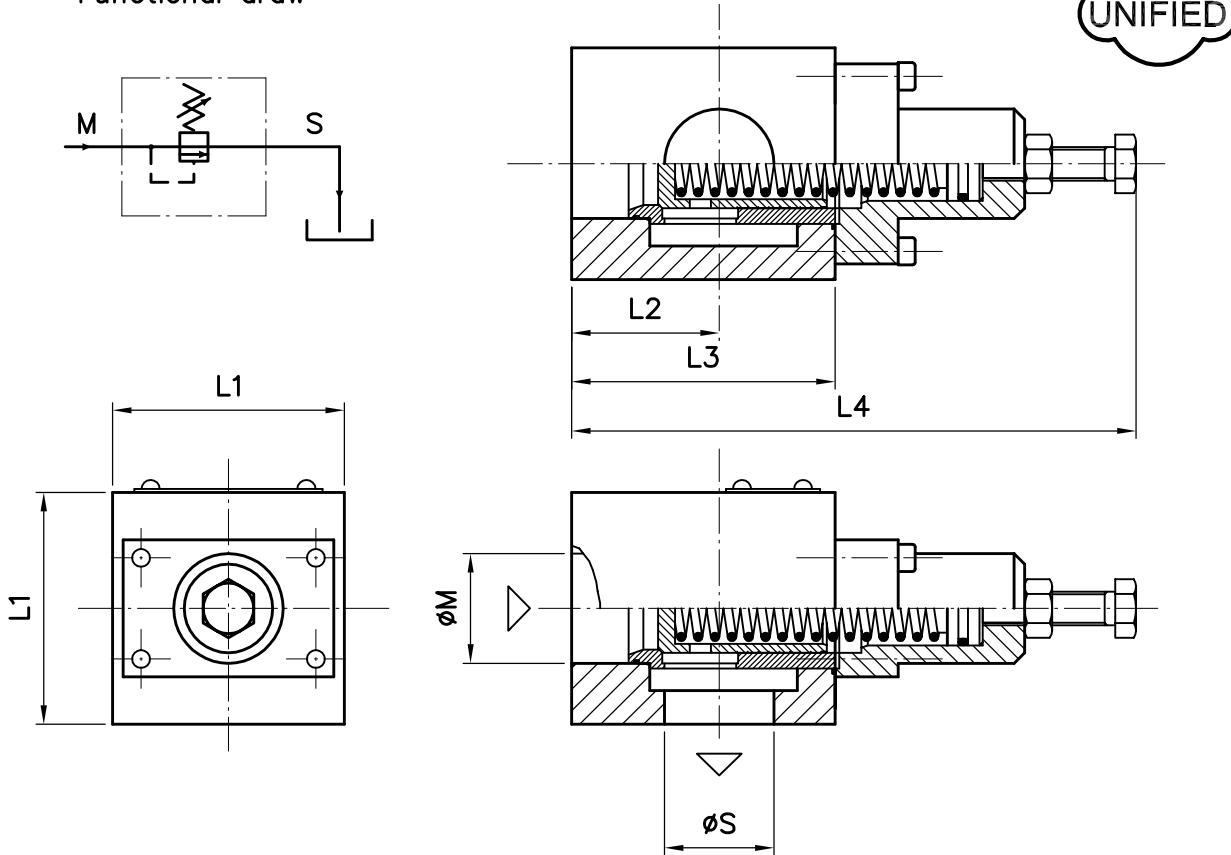
\* Reduced pressure limits apply due to fluid viscosity and driving speed  
Consult the performance charts for the individual pump size  
*For different functional characteristics, please contact our sales department*

# Pressure relief valve – VMP

For hydraulic oils, lubricating oils, fuel oils and cooling lubricants emulsions



Functional draw



BM - STE - VMP - GB 11-01 - 2

## Dimensional chart (mm) and standard performances

SIZE	DELIVERY FLOW l/min	PRESSURE* Bar	INLET M	OUTLET S	L1	L2	L3	L4
			SAE					
VMP#030A	30 ÷ 300	0 ÷ 7	1½"	1½"	90	50	100	208
VMP#030B		7 ÷ 16						
VMP#030C		16 ÷ 40						
VMP#042A	100 ÷ 600	0 ÷ 7	2"	2"	110	70	125	260
VMP#042B		7 ÷ 16						285
VMP#042C		16 ÷ 40						285
VMP#060A	200 ÷ 1200	0 ÷ 7	3"	3"	142	90	165	352
VMP#060B		7 ÷ 16						382
VMP#060C		16 ÷ 40						382

\* Setting range

SEIM srl  
Via A. Volta 17  
20090 Cusago (MI) ITALY  
Tel. (+39) 02.90.39.21.1  
Fax (+39) 02.90.39.21.41  
e-mail: [seim@seim.it](mailto:seim@seim.it)

[www.seim.it](http://www.seim.it)

SEIM reserves the right to introduce dimensional changes or variation to the products of this technical data