

## Industrial & Commercial grade Fiber Transceivers ( SFP )



- Up to 155Mbps
  - Duplex LC connector
  - Hot-pluggable SFP footprint
  - 1310nm FP laser transmitter
  - RoHS compliant and Lead Free
  - Up to 20km on 9/125um SMF
  - Metal enclosure for lower EMI
  - Single +3.3V power supply
- Low power dissipation <800mW
  - Commercial and industrial operating temperature optional
  - SFP MSA SFF-8074i Compliant

### GENERAL

Small Form Factor Pluggable (SFP) transceivers are compatible with the Small Form Factor Pluggable Multi-Sourcing Agreement (MSA). The SFP transceivers are high performance, cost effective modules supporting data-rate of 155 Mbps and 20km transmission distance with SMF. They are RoHS compliant and lead-free

### Optical Characteristics

Tx Power	: -15 to -8 dBm.	Optical Extinction Ratio	: 10dB
Rx Sensitivity	: -28dBm.	Receiver overload	: -8dBm
Wavelength	: 1261-1310-1360nm		

### Regulatory Compliance

- ESD to the Electrical PINs: compatible with MIL-STD-883 Method 3015
- ESD to the Duplex LC Receptacle: compatible with IEC 61000-4-2
- Immunity compatible with IEC 61000-4-3
- EMI compatible with FCC Part 15 Class B EN55022 Class B (CISPR 22B) VCCI Class B
- Laser Eye Safety compatible with FDA 21CFR 1040.10 and 1040.11 EN60950,
- EN (IEC) 60825-1,2
- RoHs compliant with 2002/95/EC 4.1& 4.2 2005/747/EC

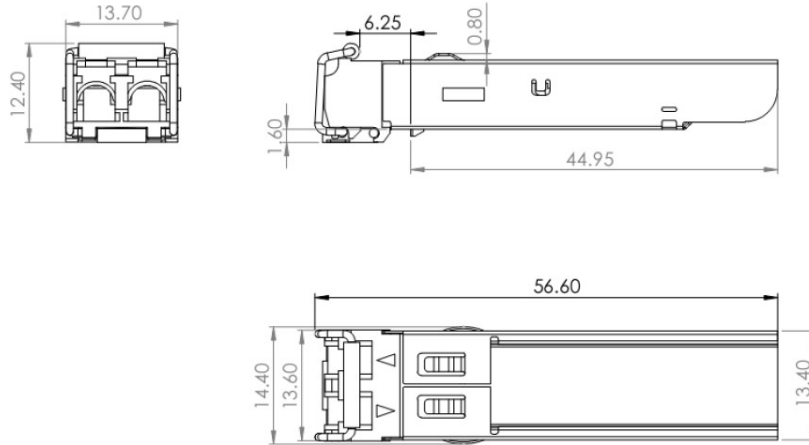
### Temperature

Casing Operating Temp	: 0 to 70°C
Extended Operating	: -40 to 85°C
Casing Storage Temp	: -40 to 85°C
Operating Humidity	: 5 to 95% rH Non Condensing

### Notes:

- Class 1 Laser Safety.
- Unfiltered, 20-80%. Complies with GE and 1x FC eye masks when filtered.
- Our Small Form Factor Pluggable (SFP) transceivers are compatible with the dimensions
- defined by the SFP Multi-Sourcing Agreement (MSA).

## Dimensions



## Digital Diagnostic Monitoring Interface

Parameters to be Monitored	Range	Accuracy
Temperature	0 to 70°C	+/- 3°C
	-40 to 85°C	
Voltage	2.97 to 3.63	+/- 3%
Bias Current	0 to 100mA	+/- 10%
Tx Power	-15 to -8dBm	+/- 3dB
Rx Power	-28 to -8dBm	+/- 3dB

## Ordering Code

## SFP M/SXXX YYYY E D

SFP	: Base Code for 155M SFP
M/S	: M : Multimode, S : Singlemode. Default S : Singlemode
XXX	: Distance in Km, 020, 040, 080, 120. Default : 20Km
YYYY	: Wavelength for Single Mode: 1310 for 1310nm upto 40 Km. 1550 for 1550nm for 80 Km onwards. Wavelength for Multimode : 850 for 850nm upto 2 Km
E	: Extended temperature of -40 to 85°C
D	: DDMI feature