



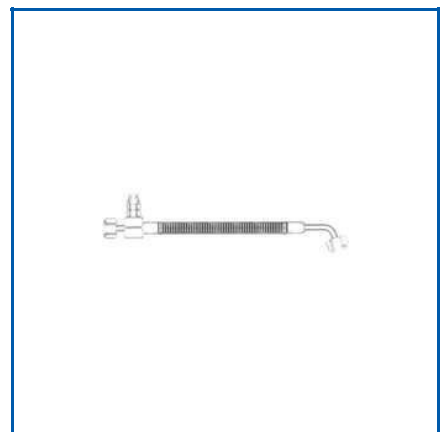
Air Brake Hose Front Tata, Air Brake Hose Rear (Striaght) Tata, Air Compressor Nut/ Nut 17" Tata FLR20093, Best Brake Hose, Brake Hose Front, Brake Hose Front Type 2, Brake Hose Front Type 3 LH, Brake Hose Rear 360mm Suzuki Esteem MK2, Brake Hose Rear Suzuki Gypsy, Brake Hose Rear Type 2, Brake Hose Rear Type 3, Diesel Line Set Tata Magic, Diesel Return line 3DX 39', Diesel Return line 3DX 60", Diesel Return line 3DX 80", etc.



RADIATOR HOSE



POWER STEERING PIPE



POWER STEERING HOSE BIG TATA



About Us

Durga Engineers, founded in 2000, is a division of a Haryana-based family business established for 100+ years. We started manufacturing in the industrial district of Faridabad to use quality as a stepping stone to success. We have since expanded across India. We have developed among the key participants in the construction, agricultural, power generation, construction, earth movers, and other industries. We have integrated production facilities in the industrial township of Haryana, covering about 15000 square feet of covered space.

Being ISO 9001: 2015 certified, we are a customer-centric business that believes in exceeding client expectations by delivering products made with the latest technology, along with the know-how of our personnel. As an exporter, OEM supplier and manufacturer of high-quality fluid transmission products, such as Nylon Fuel Pipes, Flow Leak Off Pipes, Diesel Injection Lines, Flow Brake Hose, Trolleys Pipes, Flow Silicone Hose, etc., we proudly stand as a key component of the Indian automotive industry today. Our company has registered FLOW as a trademark. Our distribution network was developed just three years after our foundation (in 2003). We now span India's entire breadth and length from Jammu-Kashmir to Tamil Nadu, Assam and Gujarat. Our expansion and success have persisted, and the inevitable next step has been to enter the export market. With a customer base in Australia, America and Europe, we have already established our global presence. Our exceptional quality, along with the necessary effectiveness and endurance, fulfilling industry and worldwide standards, has been highly praised by our customers. In addition, we provide our customers with solutions that are specifically designed for them.



Key Facts

Nature of Business	Manufacturer
Primary Competitive Advantages	power steering hoses,overflow pipe,rubber pipes,fuel pipes,nylon pipes
No of Staff	20
Year of Establishment	2000
No of Production Lines	1
OEM Service Provided	Yes
Monthly Production Capacity	as per order
Memberships	EEPC ITPO MSME
ProductRange	power steering hoses,overflow pipe,rubber pipes,fuel pipes,nylon pipes

Our Products



Brake Hose Rear Type 2



Brake Hose Front Type 3 LH



Best Brake Hose



Over Flow (Leak Off) Pipe POLO TDI



Brake Hose Rear 360mm Suzuki Esteem



Brake Hose Rear Type 3



Oil Cooler Hose Set Hyundai Verna



Brake Hose Front Type 3 LH



Turbo Chager Hose Set Bolero



Brake Hose Rear Suzuki Gypsy



Brake Hose Front Type 2



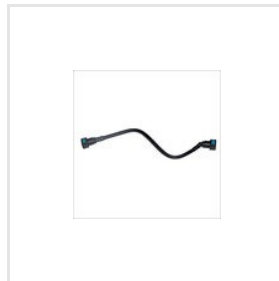
Oil Coler Hose Volkswagen



Intercooler Hoses



Fuel Pipe Small For EON



Nylon Fuel Pipes



Brake Hose Front



DURGA ENGINEERS
An ISO 9001:14001 Certified Company

DURGA ENGINEERS
ISO 9001:2015

+919873436611



ADDRESS

**290/409, Indra Complex
Industrial Area, Near Perfect
Bread, Tigaon Road, Sector 87,
Faridabad, Haryana, India
(121002).**



EMAIL

durgaengineers@hotmail.com



MOBILE

+919873436611



WEBSITE

www.automobilehoses.com

KEY PERSONNEL
Pratul Gupta
(PROPRIETOR)

DESIGNED AND
DEVELOPED BY

**trade
india.**