

IP-HD Megapixel PTZ Speed Dome Pro Series

Model: **iV-PTZ-20X-iP5-POE**



iV-Pro Model: iV-PTZ-20X-iP5-POE is a Outdoor 5 Megapixel 1980p Full iP-HD POE Security Camera with the next generation Sony IMX 335 Series image processing solution engineered to provide extremely crisp and clear images at minimal bandwidth. This Series includes a wide range of high performance lens that are built to deliver exceptional video images with true vivid colors and wide and clearer night vision, thanks to the new Array IR technology that promises better results and a longer life span over any Cat6 Cable with iV-Pro's POE Switches which can achieve a distance of up to 100 Meters to 250 Meters including long distance transmission of up to 20 Kilometers using Fiber Optic Cables with iV-Pro s Fiber Port Switches.

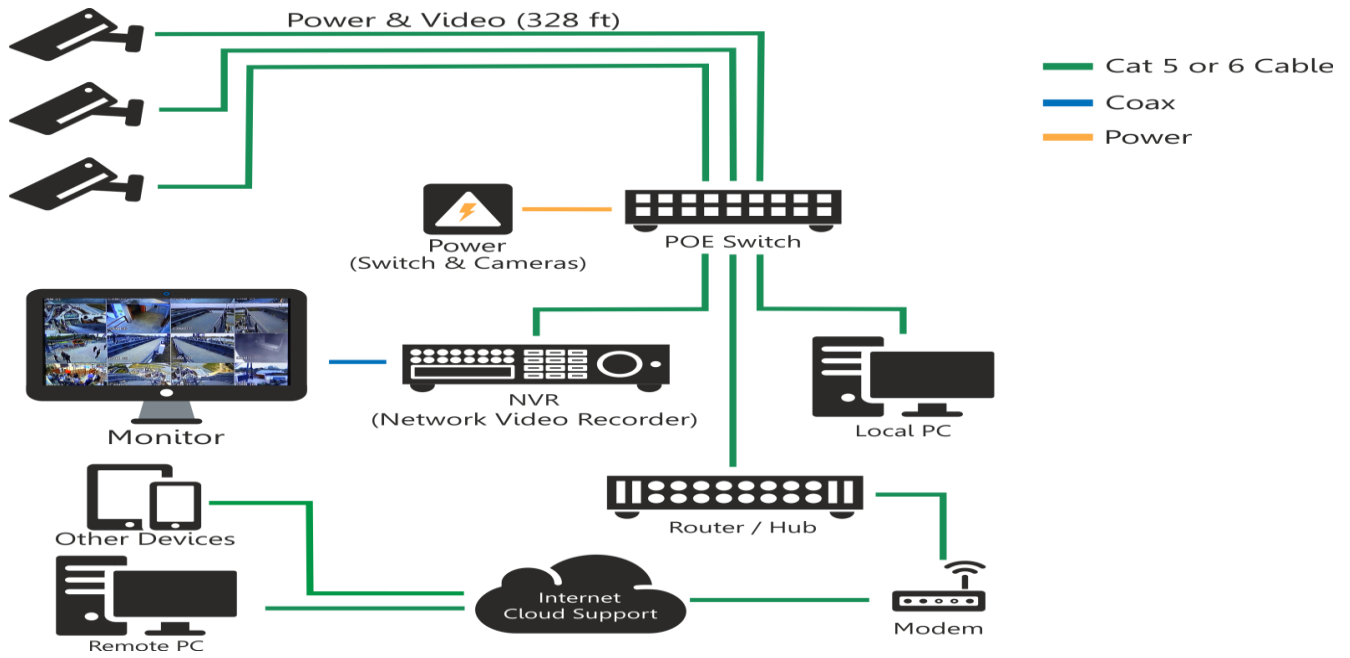
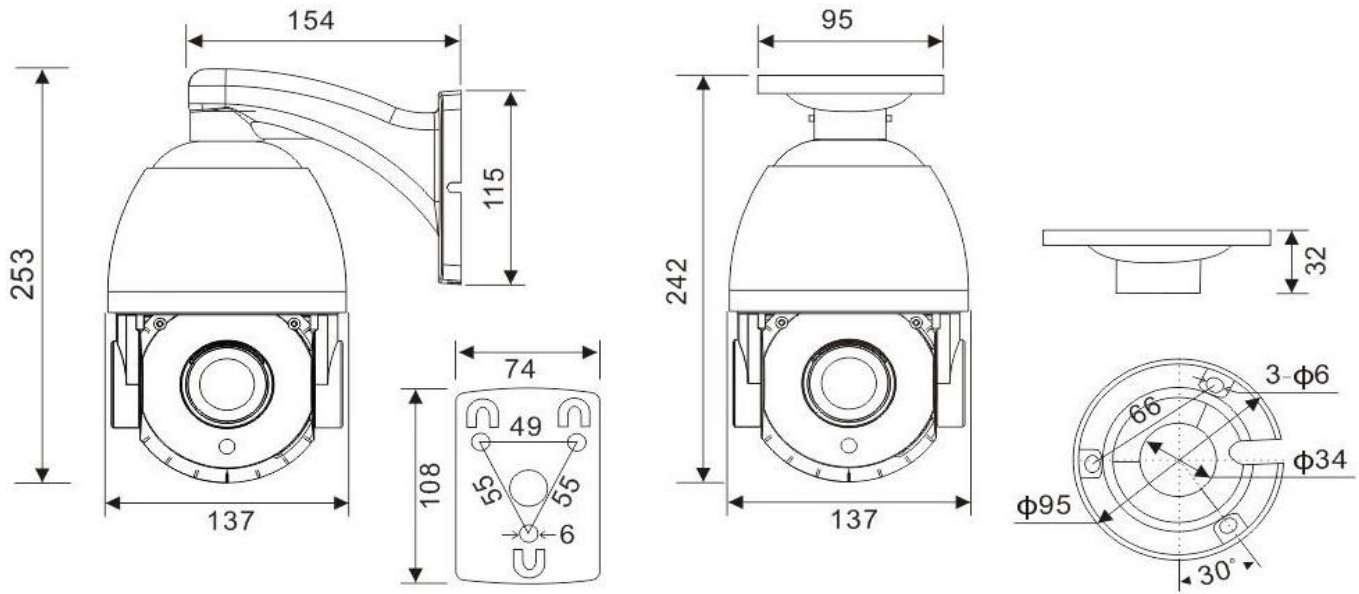
Features

- 5 Megapixel 1980p HD Resolution with Smart Array IR up to 100 Meters
- Smart Night Vision High Power Six Array II LED Technology
- High Speed 360 degree Pan, Tilt and 20X Optical Zoom Lens
- Plug and Play ONVIF profile Compatible with iV-Pro's range of NVRs
- Accurate color rendering WDR technology for Lightning conditions
- Advanced Face Detection and Human Detection Mobile Alerts
- Outdoor multi-axis ceiling or wall mountable with RJ45 and 12V DC
- Exclusive new designed IP66 weather and water proof metal casing

Technical Specifications:

Model	iV-PTZ-20X-iP5-POE
Image Sensor	5MP 1/2.8" Sony IMX 335 low illumination CMOS sensor, color 0.01Lux@F1.2,black/white 0.001Lux@F1.2
Resolution	2592*1980 , 5 Megapixels
Network Interface	1*RJ45 10/100M adaptive Ethernet port; Supports RTSP/FTP/PPPOE/DHCP/DDNS/NTP/UPnP
Reliability	7 * 24 hours 65 °C high temperature stable and reliable testing (including mounted machine testing)
Video Compression & Frame Rate	H.265 & H.265++, Supports dual stream 2592*1980(20fps),1280*720(25fps);sub-stream: 704*576(25fps)
Video Bit Rate	0.1Mbps~6Mbps variable;1~30f/s variable
Lens Type	Motorized 3MP 4.7-96.3mm 20X Optical Lens
Array or SMT LEDs	6 Array High Power IR Led with IR-Cut
Array or SMT illumination Distance	100 Meters
Rotation Range & Preset	Pan: 0-360, Tilt: 0-93 (degree) ; 220 Presets
Back Light Compensation	BLC / WDR 120db (with OSD)
Exposure Mode	Manual / Low noise / Low motion blur / Auto Ranges from 1/3 to 1/10000
Snapshot	Supported with iV-Pro Recorders and APP
Video Setup & Information	Supports parameter setup such as brightness and contrast, Channel title; Time title; Motion detection; Privacy mask
Motion Detection	Sensitivity level ranges from 0 to 100; Activation event: Video storage; Image snapshot; Log; Email function
Security	Multiple User Access levels with password protection
Automatic Electronic Shutter	Auto / Manual (1/3~1/10000 s)
Web Browser	Microsoft® Internet Explorer® 6.0 or later; Mozilla Firefox®; Google Chrome™ with Video Recorder attached
Supported Protocols	IPv4/IPv6, HTTP, HTTPS, SSL, TCP/IP, UDP, UPnP, ICMP, IGMP, SNMP, RTSP, RTP, SMTP, NTP, DHCP, DNS, PPPOE, DDNS, FTP
Smart Phone & Tablet Compatibility	IOS; Android™
Standards	CE, FCC
Day / Night	Auto (ICR) / Color / B&W
Automatic Gain Control	Auto / Manual
Power Consumption	DC12V/3A input, power consumption: 25 Watts (Max)
Operational Temperature & Rating	-4°F to +140°C (-20°C to +60°C), IP66 Casing
Weight & Construction	2.8 kg, Housing: Half Metal Heavy Casing Molded Color: White

Dimensions & Connection Diagram:



✉ info@ivpro.in 🌐 www.ivpro.in



scan this QR Code

Customer Care
care@ivpro.in



RoHS

Specifications are subject to change without notice.
iV-Pro is a trademark of iView Technologies Co, India & Hongkong.
Copyright 2017 iView Technologies Co. All rights reserved.