

# D. B. INSTRUMENTS & CONTROLS

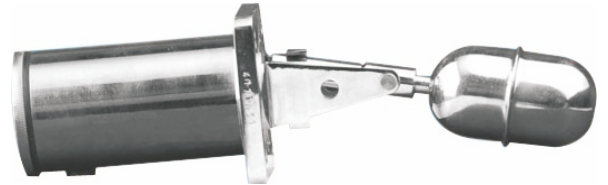
**Solid Solutions to Liquid Level Problems !**

## **Dual Magnetic Level Switch**

### **Principle of Operation :**

Model MLS -16

magnetic level switches work on the principle of magnetic repulsion and therefore they are glandless and leak proof instruments. A permanent magnet fitted in the tail piece of the float repels another magnet inside the switch housing which in turn operates an SPDT microswitch. Microswitch contacts can be utilized for initiating audio-visual signals or pump control.



### **Salient Features :**

- ✘ As our switches work on magnetic repulsion principle, they are glandless and leak proof.
- ✘ No power consumption.
- ✘ Internal assembly wirings are teflon insulated.
- ✘ Internal switch assembly bracket is of cast aluminium.
- ✘ Practically no maintenance is required except periodic cleaning.
- ✘ Suitable for 2.5" (65 mm) NB nozzle mounting, (for 63 mm dia float) and 2" (51 MM) NB nozzle for 48 mm dia float.
- ✘ Maximum working temperature 250°C. (Process Temperature)
- ✘ Contact ratings of MICROSWITCH 5 AMPS at 230 VAC Resistive.
- ✘ Also available with Microswitch having current rating 10 A at 230 VAC Resistive.
- ✘ No of contacts : 1 change over as standard. Optional - 2 change over
- ✘ For high temperature upto 350°C (Process temperature)
- ✘ 1 number SPDT Reed switch with current rating 100 VA, max. switching current 5 Amps, max, switching voltage 230 VAC / 200 VDC
- ✘ Specific Gravity : Down to 0.75

NOTE : Flanged connections as per ASA/BS/DIN or JIS available on request, as per customer requirement.

### **Caution :**

- ✘ Level Switches should not be used for direct starting / stopping of pumps. An external relay or contractor must always be used with the level switch.
- ✘ MLS-16 side mounted level switches must always be mounted horizontally with outgoing cable entry facing downwards.
- ✘ In case of high temperature Model MLS-04-92 HT/MLS-16-92HT and Low Temperature Models SMT-16-F82 and SMT-16-F92 arc suppressors/current limiting bias resistor must be provided depending on the load viz inductive or lamp load etc. to reduce the deteriorating effect of contacts due to surge voltages and high in-rush current.

30, Patel Industrial Estate, 1st Floor, Opp. Dahisar Police Stn., S.V.Rd, Dahisar (E), Mumbai-68.

Tel.: 022 - 42663558 / 32678216 Mob. No. : 09321573896, 09821573896.

Website : [www.dbinstrument.com](http://www.dbinstrument.com) Email : [dbinstruments@gmail.com](mailto:dbinstruments@gmail.com)

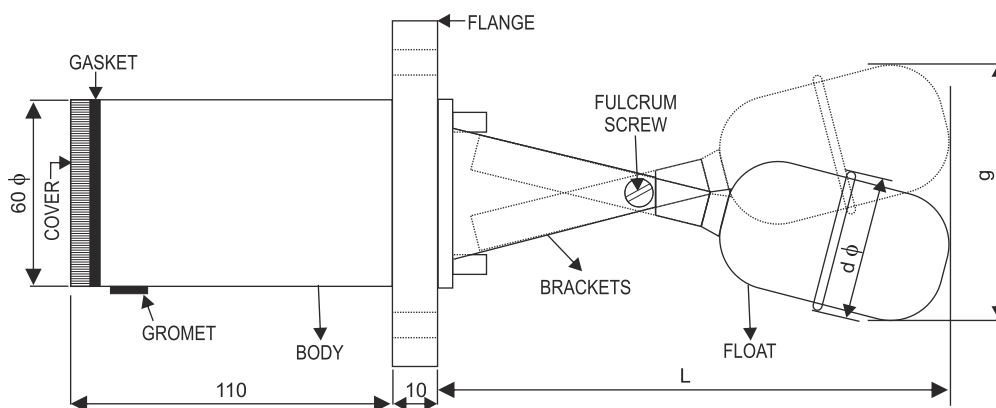
# D. B. INSTRUMENTS & CONTROLS

**Solid Solutions to Liquid Level Problems !**

## Dual Magnetic Level Switch

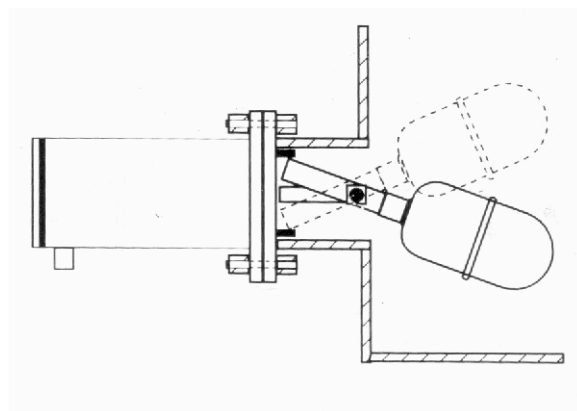
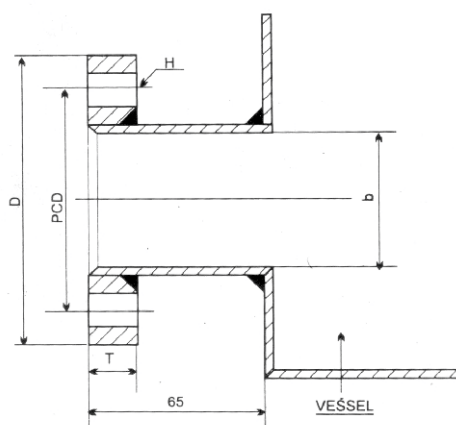
### Dimension Models :

(MLS - 16 - F 82 ) & (MLS - 16 - F 92 ) & (MLS - 16 - F92)



L = 165 mm, g = 80 mm, with d = 49 mm f Float.

\* Applicable only for model MLS - 04/16 - F92, when 62 mm dia float is used, L = 240 mm, g = 135 mm, with d = 62 mm f



**ALL DIMENSIONS ARE IN MILLIMETRE (TOLERANCE -  $\pm 2$  MM)**

### Technical Specification :

Model (MLS-16-F82) or (MLS-16-F92S) side mounted magnetic Level Switch. Process connection- 82 or 92mm square flange with 4 bolt holes of 10/14mm dia on 82 or 92mm PCD respectively. Material of construction of flange, brackets, fulcrum screws, body and cover-SS 304(For wetted parts in SS 316 please denote by 16 instead of 04 in the Model). SS 316L float. 1 no SPDT microswitch having current rating 5 Amps at 230 VAC resistive. Differential between make and break-10mm approximately. Maximum working pressure 10 kg/sq.cm and temperature 250 deg C. Specific gravity down to 0.7. Cable entry neoprene gromet. Supplied with 1.5 Metre long 3-core PVC Cable.

NB : In case of Model MLS-16-F92 flange size shall be 120 mm dia round flange with 4 bolt holes of 14 mm on 92 PCD.

### Optional :

- ✘ Microswitch with current rating 10 Amps at 230 VAC res.
- ✘ Adjustable differential upto approx-250 mm
- ✘ With 2 microswitches i.e., 2NO + 2NC

30, Patel Industrial Estate, 1st Floor, Opp. Dahisar Police Stn., S.V.Rd, Dahisar (E), Mumbai-68.

Tel.: 022 - 42663558 / 32678216 Mob. No. : 09321573896, 09821573896.

Website : [www.dbinstrument.com](http://www.dbinstrument.com) Email : [dbinstruments@gmail.com](mailto:dbinstruments@gmail.com)