



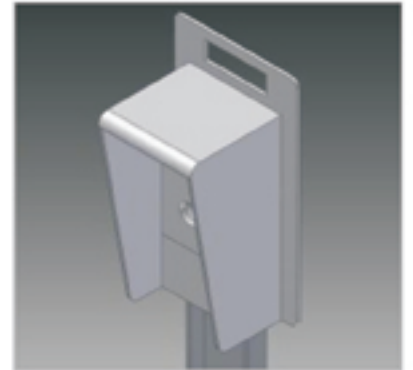
## 'AERON' FRP CANOPIES



FRP MOTOR GUARD CANOPY



JUNCTION BOX CANOPY



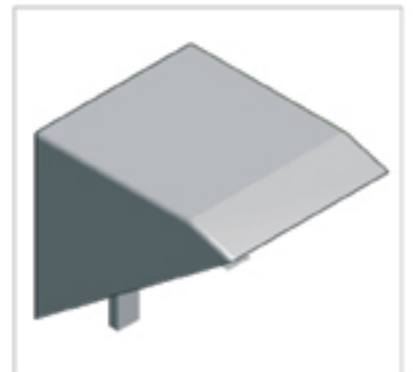
PUSH BUTTON CANOPY



FRP AIR COMPRESSOR CANOPY



PA SYSTEM CANOPY



SINGLE TRANSMITTER CANOPY

Aeron offer an exclusive range FRP Canopy / Guards which are available in various specifications. Aeron FRP Canopies are non-Corrosive, Life Long, Water Proof, Light Weight, Maintenance Free, Built in paint, better Aesthetic. The use of optimum quality materials in the manufacturing of the FRP Canopy ensures high durability, strength and resistivity to adverse conditions.

### SALIENT FEATURES

100% CORROSION FREE | UV PROTECTED | INSULATING MATERIAL | LIGHT WEIGHT | EXCELLENT RESISTANCE TO CHEMICALS/ACIDS | VERY EASY TO INSTALL | LONG LIFE | FIRE RETARDENT | MAINTENACE FREE | ELECTRIC SHOCK PROOF | ZERO ENVIRONMENTAL EFFECT

### FRP MOTOR CANOPY SPECIFICATION

The size of the MOTOR PROTECTION SHELL is based on the physical dimensions of the motor cover it is so selected that a uniform clearance of at least 50mm is maintained on all sides with respect to the motor body for the purpose of :

- » PROPER CIRCULATION OF AIR ALONG WITH THE LOUVERS
- » FOR THE EASE OF INSTALLATION/ LIFTING

It should cover the motor fully to protect from

- » Rain water
- » Chemical or water spillages
- » Accidental fall of some material or the hit of some flying object under abnormal circumstances



## SPECIFICATION SHEET

PARAMETERS	SPECIFICATIONS
MATERIAL OF CONSTRUCTION	FRP
TYPE OF RESIN	ISOPHTHALIC/ GENERAL PURPOSE
GLASS FIBRE	CHOPPED STRAND MATT
SHAPE & SIZE	AS REQUIRED
COLOUR	LIGHT GREY
THICKNESS	3 TO 5 MM
LOUVERS	YES
HANDLES	YES
FINISH	OUTSIDE SMOOTH FINISH (ONE SIDED FINISH
SUPPORTING	AS REQUIRED AT SITE BY FRP ANGLES /CHANNELS
CORROSION RESISTANCE	YES
UV STABILIZED	YES
MOULDING PROCESS	CONTACT MOLDING PROCESS
FLAMMABILITY	LOW FLAMMABILITY
GLASS CONTENTS	30 TO 33%
OXYGEN INDEX	27 TO 30
FLAME SPREAD INDEX	14 TO 15

## SELECTION TABLE FOR NFLP MOTORS

FRAME SIZE	HORSE POWER		
	3000RPM.	1500RPM	1000RPM
80	1 TO 1.5	0.75 TO 1	0.5 TO 0.75
90	2 TO 3	1.5 TO 2	1 TO 1.5
100	4	3 TO 4	2
112	5.5	5.5	3
132	7.5 TO 10	7.5 TO 10	4 TO 7.5
160	15 TO 25	15 TO 25	10 TO 15
180	30	25 TO 30	20
200	40 TO 50	40	25 TO 30
225	60	50 TO 60	40
250	75	75	50
280	100 TO 125	100 TO 125	60 TO 75
315	150 TO 230	150 TO 230	100 TO 195
355	320 TO 390	305 TO 365	245 TO 285
400	440 TO 520	440 TO 520	380 TO 435

FOR FLP MOTORS - PLEASE CONSIDER THE NEXT HIGHER SIZE OF CANOPY  
 FOR H.T. MOTORS - PLEASE ADVISE US THE DIMENSIONS



FRP/GRP Cable Tray



FRP/GRP Structural Profiles



FRP Ladder



FRP/GRP Luminaries



FRP/GRP Handrails & Fencing



FRP/GRP Gratings



FRP/GRP Canopy



FRP/GRP Storage Tanks



FRP/GRP Trefoil Clamp



FRP/GRP Poles & Mast



THE COMPOSITE EXPERT...

### **AERON COMPOSITE PVT. LTD.**

Reg. Off.: - Block No. 496/P, Shade "A", Tajpur Road, Sarkhej Bawala Highway,  
Changodar - 382213 Tal. Sanand, Ahmedabad, Gujarat - INDIA.

T : +91-79-6525 8500 | F : +91-79-26561238 | M : +91-99099 88266

E : [info@aeroncomposite.com](mailto:info@aeroncomposite.com) | W : [www.aeroncomposite.com](http://www.aeroncomposite.com)

