



AC TACHOGENERATOR

INTRODUCTIONS :

AC Tachogenerator is throughly engineered speed Transducer for industrial application, An electromechanical generator is a device capable of producing electrical power from mechanical energy, usually the turning of the shaft. It Features extreme linearity, wide speed range & capabilities required in industrial application.

2 Pole & 48 pole AC Tachogenerator, Voltage provides an output from 3 to 50VAC @1000rpm & 2 & 24 pulses per revolution, An important design feature is that the high grade aluminum castings.

Well proportioned shaft dia 6 /8/10/12mm, Liberally selected widely space & pre loaded ball bearings, All contribute to ensure structural rigidity and defendable performance.

Tachogenerator are frequently used to measure the speed of electric motors, engines & the equipment they power, conveyer belts, machine tools, mixers, fan etc.

FEATURES :

- Compact design, Light weight, aluminum casting.
- ALNICO permanent magnet, for excellent long term stability.
- Precise copper winding
- Precise output & High performance
- Low Impedance output with power delivering capacity of more than 4 watt available in flange & Foot mounting.

TECHNICAL DETAILS:

- O/p Voltage: 3 to 50 VAC @ 1000 rpm
- Nos of Poles: 2 Pole & 48 Pole
- Load Current : 5 - 50mA
- Max Speed : 4000 rpm
- Accuracy : ± 5%
- Operating Temperature: -10, + 60 Deg C
- Storage temperature : -10Deg C, + 70Deg C
- Ingress Protection: IP54
- Magnet : Permanent Magnet Alnico.





AC TACHOGENERATOR

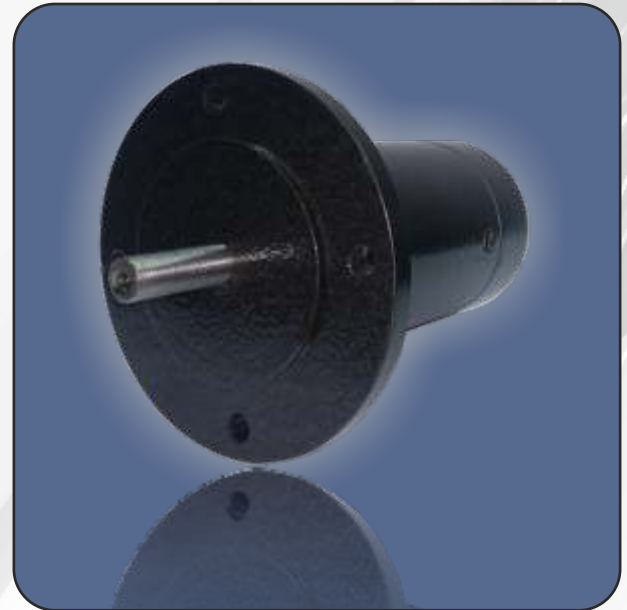
**Model : E-FL-10
E-4000**

FEATURES :

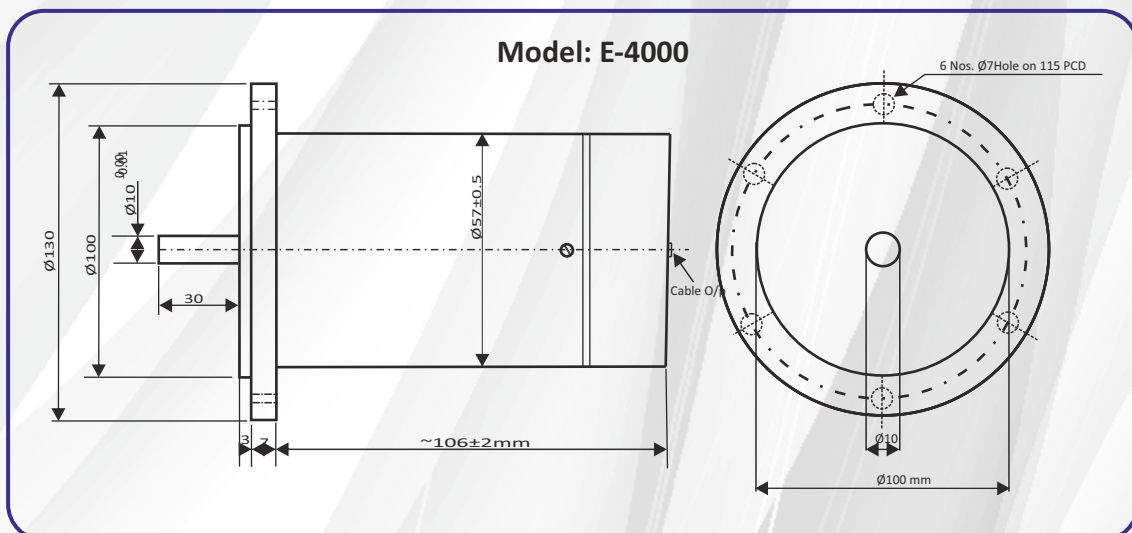
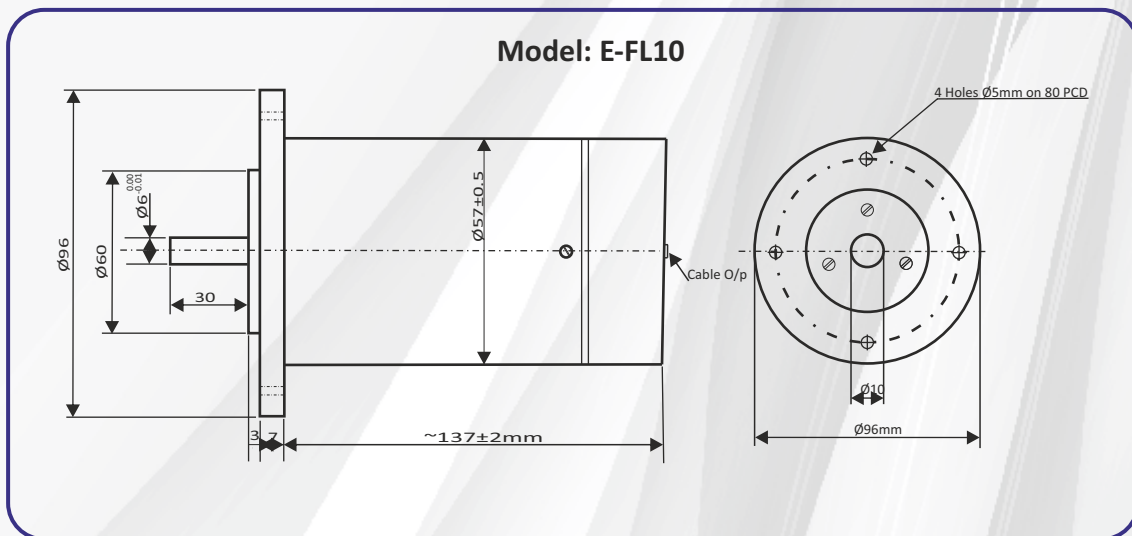
- Robust Design
- Precise Output & High Performance
- Economical model for universal application

TECHNICAL DETAILS:

| Type | Voltage @1000rpm | I Max | Max. Speed | Connections | Weight |
|--------|------------------|-------|------------|------------------|---------|
| 2 Pole | 10/20/30 | 5mA | 3000rpm | Cable / Terminal | 1.5Kgcm |



Mechanical Dimension

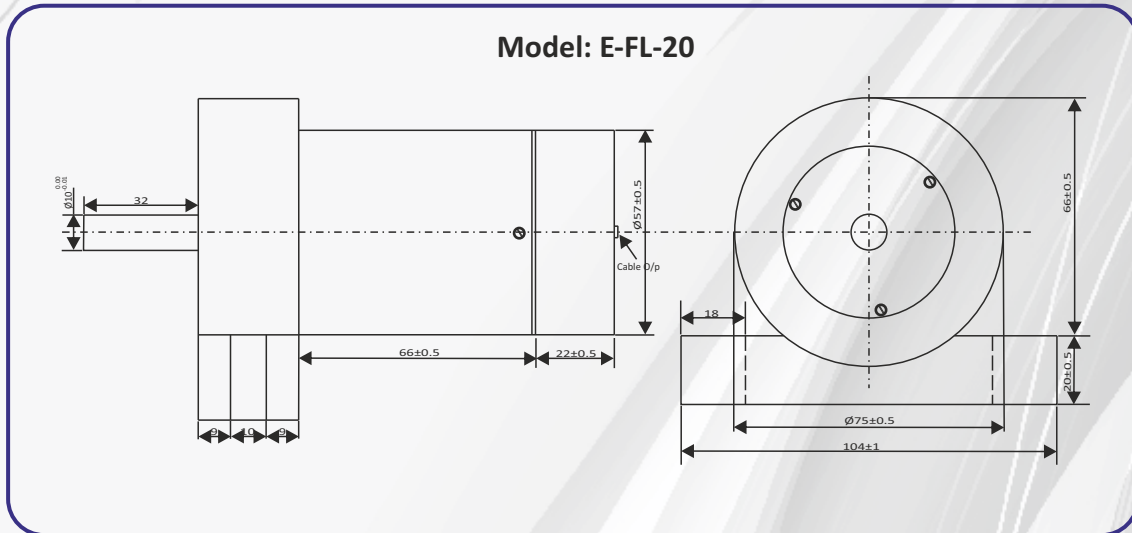




AC TACHOGENERATOR

Model : E-FL-20 (Bracket Type)

Mechanical Dimension



OPTION :

We also made tachogenerator as per requirement of the customer, 2 in 1 combination also available, (Tacho with Analogue Indicator) Import substitute are available.

ANALOUGE INDICATORS:

We are designed Moving Coil instruments to display rotational or surface speed on dial with the help of 2 Pole AC Flange/ Bracket type Tachogenerator Different Sizes of meter with different deflections are available.

- SIZES : 96 X96 - 90deg deflection,
- SIZES : 96 X96 - 240 deg deflection,
- SIZES : 144 X144 - 90deg deflection,
- SIZES : 144 X144 - 240deg deflection,



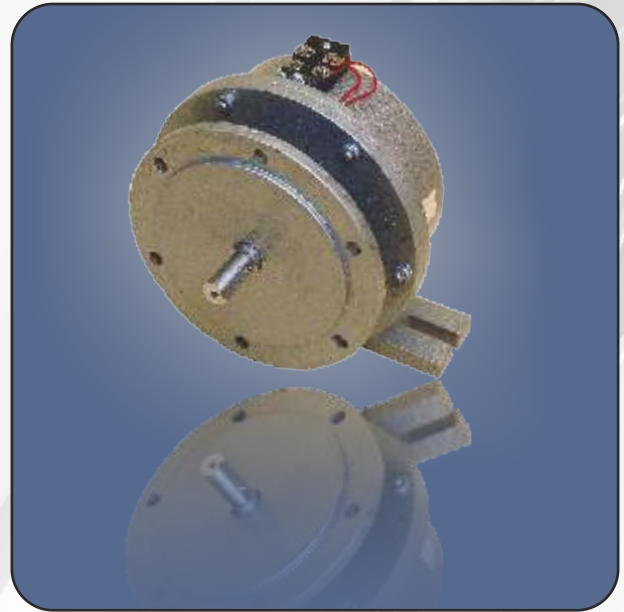


AC TACHOGENERATOR

Model : E-48PL

Feature:

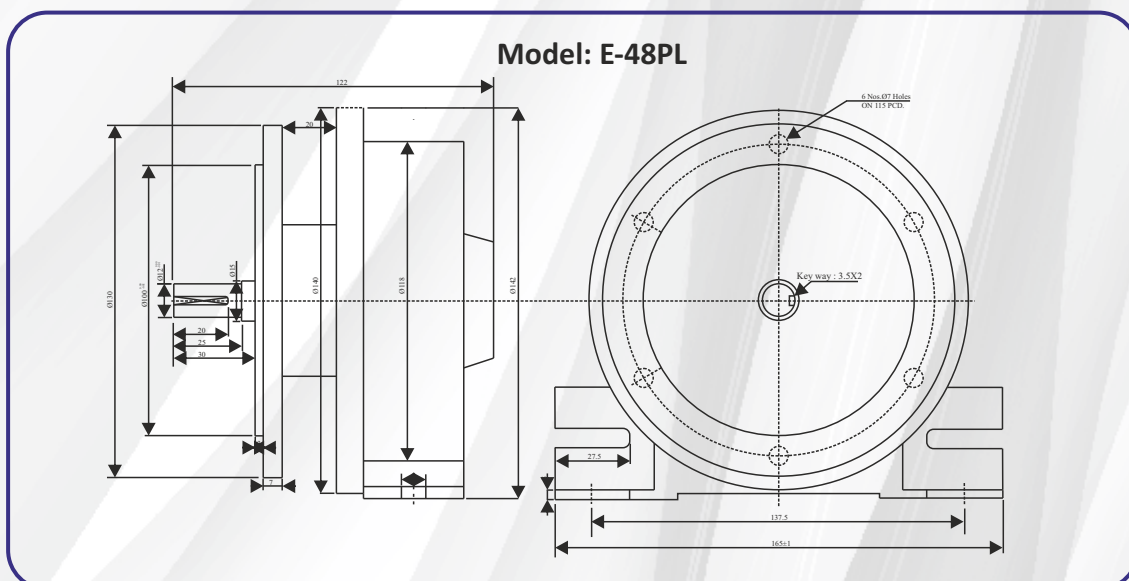
Compact design, Light weight, aluminum casting.
Precise copper winding.
Precise output & High performance.
Available in Flange & Foot mounting.



Technical Specification:

| Type | Voltage @1000 rpm | I Max | Max. Speed | Connections | Mounting | Weight |
|---------|-------------------|-------|------------|-------------|-----------------|--------|
| 48 Pole | 33.3V | 50 mA | 4000 rpm | Terminal | Foot cum Flange | 3.5Kg |

Mechanical Dimension



Note : All dimension in MM