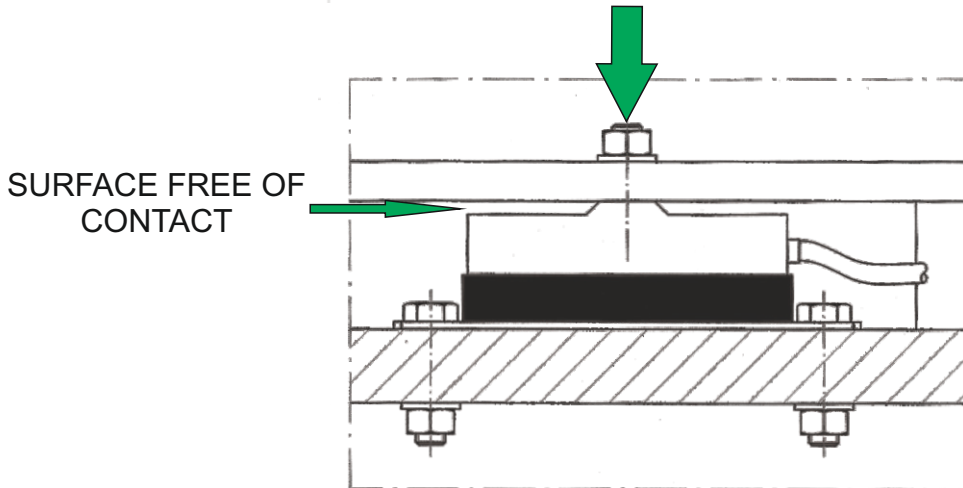


POINT OF MEASUREMENT



POINT OF MEASUREMENT



The CAB800 sensors will only detect weight which is directly applied to the central point of measurement as can be seen in the drawing below.

