



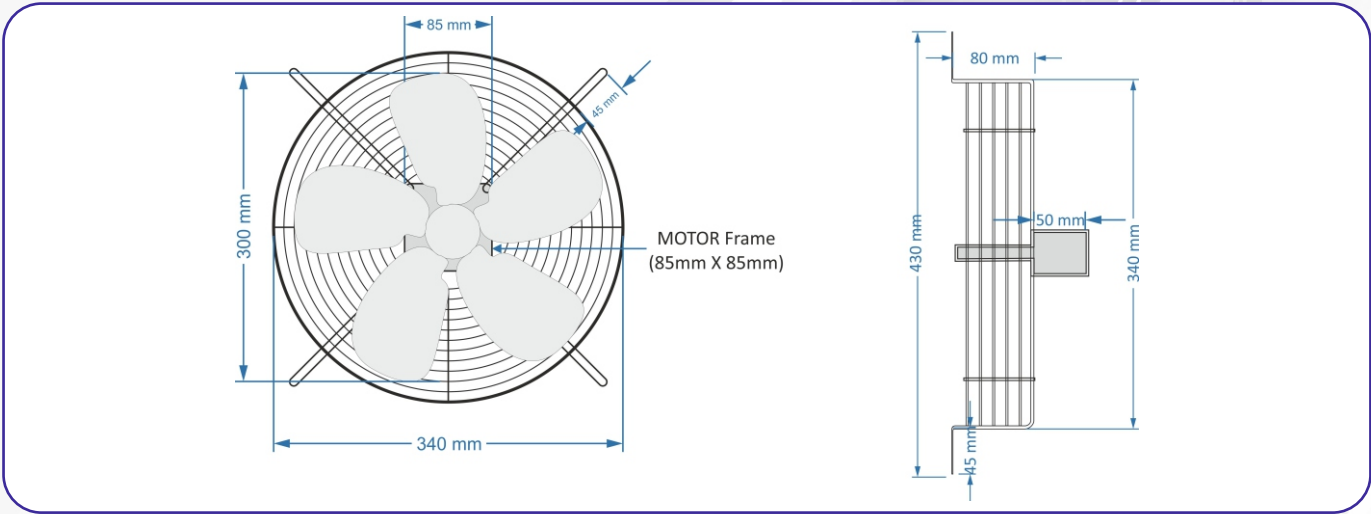
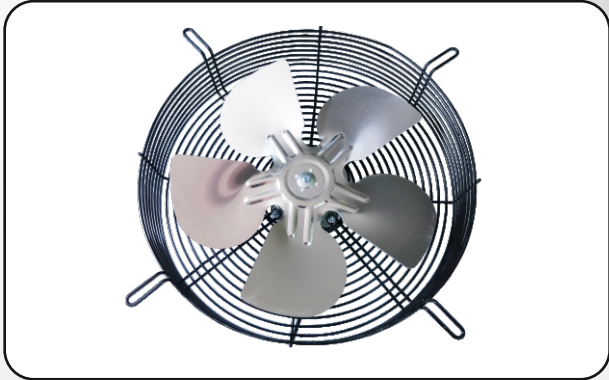
54, Annapurna Industrial Estate, Tilak Road,
Ghatkopar (E), Mumbai - 400 077 India
Tel: +91-22-21029911
E-mail: sales@excellaelectronics.com



CABIN FAN

GF-300A

Item	Specification
Size	340 X 340 X 130mm
Motor	Shaded Pole Induction
Size Of Blade	300mm
Life	15000H
Frame	Steel
Weight	2.4Kg
Operation Temp	-30°C ~ 50°C



TECHNICAL DETAILS:

MODEL	GF-300A
Voltage VAC	220-240V
Freq. (Hz)	50/60
Current (A)	0.35A
Power (W)	53
Speed (RPM)	1300/1550
AIRFLOW (M³/H)	1100
NOISE (dB)	40