

HYDRAULIC ROCK BREAKER

CONTROL VALVE

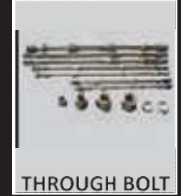
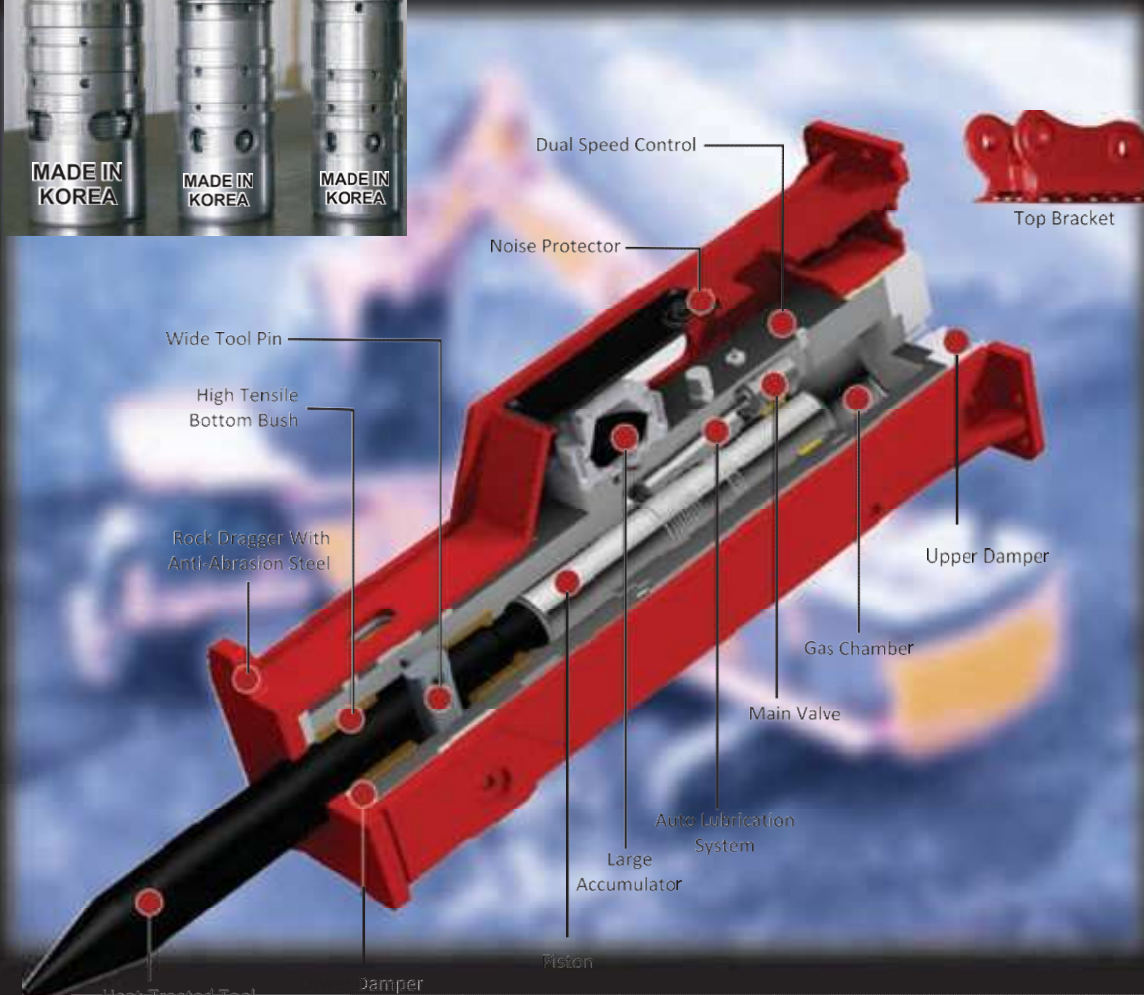


TABLE TECHNICAL

Specifications	Unit	SSI-S40	SSI-S43	SSI-S50	SSI-S70	SSI-S81	SSI-S121
Applicable Excavator	Ton	4-7	6-9	11-15	18-21	20-26	28-35
Operating Weight	Kg	354	448	924	1632	1863	2533
Main Body Weight	Kg	151	210	422	643	782	1100
Height	MM	1640	1888	2337	2865	2907	3317
Width	MM	430	450	570	720	730	837
Required oil flow	l/min	40-70	50-90	80-110	100-150	120-180	180-240
Set Pressure	Bar	170	180	210	230	220	240
Operating Pressure	Bar	110-140	120-150	150-170	160-180	160-180	160-180
Impact Rate	BPM	500-900	400-800	350-700	350-600	350-500	300-450
Chisel Diameter	MM	68	75	100	135	140	155
Chisel Length (Ideal)	MM	700	750	1000	1200	1300	1500
Impact Energy	Kg l-m	70	92	214	363	429	663
Hose Diameter	Inch	0.5"	0.5"	0.75"	1"	1"	1.25"



Model No	JCB	KOMATSU	HITACHI	HYUNDAI	VOLVO	CATERPILLAR	KOBELCO	SANY
SSI-S40 (Tons)	Robot190, 2DX, 3DX	PC30/35, PW30,PE35	EX34/40/45/50, UE40	ROBEX 450,500 35/36	EC45/50/55	303CR, 304, 232, 236, 242, 248, 262	SK025/030/ 035/045/050	SY55
SSI-S43 (7 10.5 Tons)	Robot1105/ 1110, 2DX, 3DX/D/ZL, HM360/380,	PC40/45/50/60 /71/75/PC80/ 90	EX58/60/70	ROBEX 55/75/80	EC60/70/ EW70	416,420,424, 426,428,438, E70B, 5080, 252, 262, 305/307	SK45/50/60/70 /80	SY55/60C /75C
SSI-S50 (11-16 Tons)	JS130,145, 150, 805/806/811/ 814, 5C/W	PC100/1120/ 130/PW110/130	EX100/110/135 / EW120/ ZAXIS 100/120	ROBEX95/110/1 30/140, HX60W	EX130/140 L60/70, EW130/140	E110B, 205,206,311,314 515,206BFT, 212BFT	SK100/115/ 120/135/150	SY135C/ 200C
SSI-S81 (18-26 Tons)	JS180,200, 210,220,240/ 8C/D, 7B/C	PC180/200/ 210/220/228/ 230/240	EX200/210/220 /225/230/ ZAXIS 200/230/ UH073/103	HX80, ROBEX 200/220/250	EC200/210/ 230/240/ EW230	215,219,224,318 320,322, EL180/220/240	SK200/210/ 220/230/235/ ED180/190, K220/907/909	SY200C/ 205C/210C /230C
SSI-S121 (28-35 Tons)	JS330	PC250/380/ 300/350	EX270/280/300 /350, ZAXIS270/330, UH121/123/143	HX100, ROBEX 280LC/290LC, 300LC, 320LC, 330LC, 360LC	EC280/290/ 300/SE280/350	229, 325, EL300, 229D, 231, 330	SK270LC/290/ 300/320/K912	SY310C/ 330C
SSI-S130 (30-45 Tons)	JS460	PC360/400/ 450	EX370/400/450 UH171/181	ROBEX360LC/ 420LC/450LC	EC340/360/390 420/450/460	330BL/CL, 345BL	SK330/400/ 480, K400/914/916	SY420C