

Stainless Steel
&
Aluminium
Glass Railing Systems



VAGMINE[®]
EVERYTHING YOU NEED

www.vagmineindia.com



VAGMINE[®]

EVERYTHING YOU NEED



ESTD 2005

Vagmine is a brand of



Architectural Products

GROUP

ABOUT US



VAGMINE located in Rajkot, Gujarat, India, is one of the most dynamic and fast-growing railing system providers in Pan India today. With an excellent track record of profitability and expansion, **VAGMINE'S** future looks promising. The company's reputation for design excellence is spreading globally with each new installation. Their extensive project list includes private houses, office buildings, malls, hospitals, hotels, concert halls, and major sports arenas.



To remain successful in the world of high-end railing systems and balustrades, **VAGMINE** takes a long-term strategic view characterized by vision, a strong sense of mission, and firm corporate values. This approach enables the company to maintain steady growth.

VAGMINE uses environmentally sustainable materials as the raw materials for their collections. Their production cycles take place within their facilities, which are powered by a photovoltaic system that meets all their energy needs. **VAGMINE'S** goal is to continue developing its design culture and production technology to offer proposals that are functionally innovative, aesthetically exclusive, and capable of ensuring maximum reliability and safety over time.

Certifications have become a consolidated practice for **VAGMINE**. The company is committed to a constant search for quality and innovation in both technical and procedural fields. **VAGMINE** has obtained the necessary product certifications for a wide range of its items, reaffirming the high quality of its products while ensuring customer safety.



MISSION

VAGMINE aims to be the most innovative and reliable railing system provider worldwide by critically analyzing the market and its own organization to foster continuous improvement. Maintaining a premium status involves a relentless pursuit of enhancement, close monitoring of the global market, and a thorough analysis of the company's business activities. The goal is to gain a deeper understanding of customer needs and consistently exceed their expectations by offering more.

VISION

VAGMINE aims to be the premium brand and India's leading supplier of railing and balustrade systems. While this goal may seem ambitious, the company's track record demonstrates its capability to achieve it. The staff approach each day as an opportunity for learning, refinement, and cultivating a habit of excellence.

FEATURES OF MODULAR RAILING SYSTEM

- Our modular railing system uses high-quality SS 316 Grade material with a 1.5mm wall thickness and SS 304 Grade material with a 1.2mm wall thickness for superior durability.
- No need for on-site welding or cutting, as all parts are pre-finished at our factory.
- Achieve a unique finish with our advanced factory manufacturing process.
- Say goodbye to site damage during railing installation and save on costly floor repairs.
- Our modular system allows for easy dismantling and re-installation, saving you future replacement expenses.



PERFECT 90-DEGREE RAILING BEND FOR A VISUALLY APPEALING LOOK.



STRENGTHENED JOINTS WITH STAINLESS STEEL BUSHINGS ENSURE ADDED DURABILITY.



HIGH TENSILE ANCHOR FASTENERS PROVIDE EXTRA STRENGTH FOR SECURE MOUNTING.

INDEX



SPIGOTS
PAGE : 07 TO 13



BALUSTERS
PAGE : 15 TO 19



HANDRAIL BRACKETS
PAGE : 20



SS HANDRAILS
PAGE : 22 TO 23



**ALUMINIUM
CONTINUOUS PROFILES**
PAGE : 25 TO 27



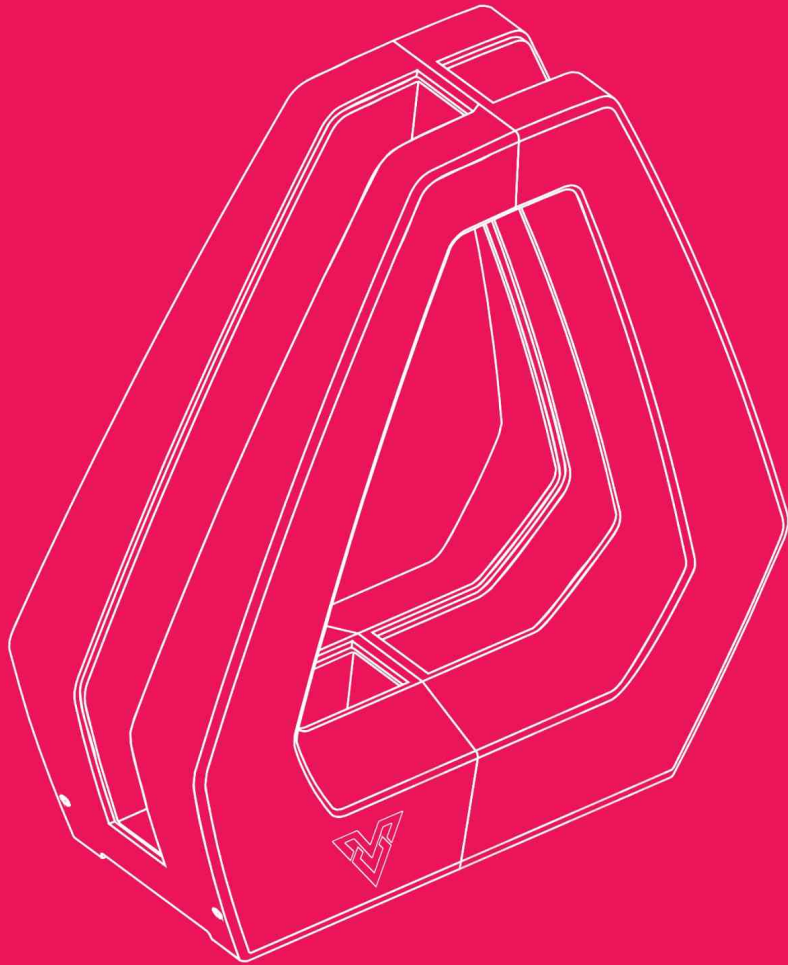
**ALUMINIUM BRACKETS
WITH CONTINUOUS COVER**
PAGE : 28



ALUMINIUM BRACKETS
PAGE : 28



ALUMINIUM HANDRAILS
PAGE : 29 TO 30



STEEL

THE VAGMINE Spigot & Baluster glass railing system is versatile for both exterior and interior applications. It is particularly well-suited for interior use in staircases and cutouts, providing a modern and stylish look throughout the entire perimeter.

This spigot and baluster system can be either core-drilled or surface-mounted, depending on the application.

Each glass panel is supported by two spigots and balusters. This system is particularly attractive because it can be used not only with flat glass but also with the option of a wooden handrail, making the railing a visually pleasing centerpiece in the home.

Installing a new frameless glass railing in your home or commercial property is sure to enhance its modern look and increase its value.

Use	:	Indoor & Outdoor
Mount	:	Top Side
Material	:	Stainless Steel 304 & 316
Glass Height	:	900 mm to 1500 mm
Glass Thickness	:	10 mm to 25.5 mm
Finish	:	Matt Glossy PVD Powder Coat Wood Coat



www.vagmineindia.com

TOP MOUNT

SPIGOTS

01VS001 (Top)



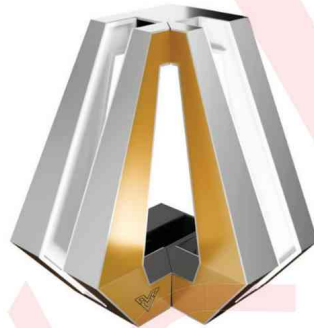
01VS002 (Bottom)



01VS003 (Top 90°)



01VS004 (Bottom 90°)



01VS005 (Top)



01VS006 (Bottom)



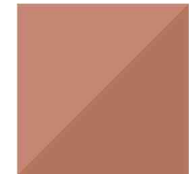
01VS007 (Top 90°)



01VS008 (Bottom 90°)



SS Finish



PVD Rose Gold



PVD Gold



PVD Grey Black



PVD Black

All Finish Are Available In
Glossy & Matt

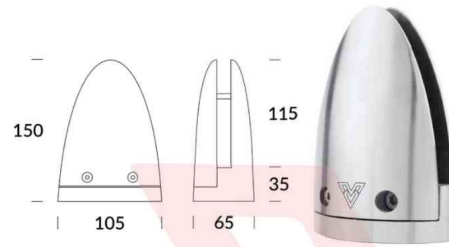


www.vagmineindia.com

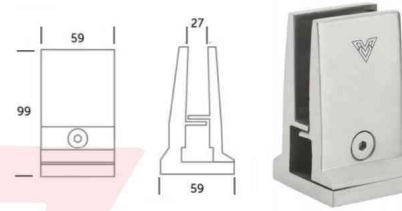
TOP MOUNT

SPIGOTS

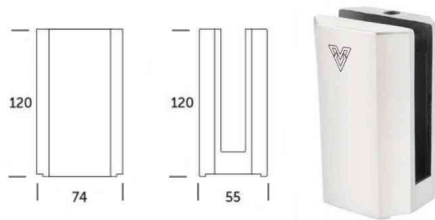
01VS009



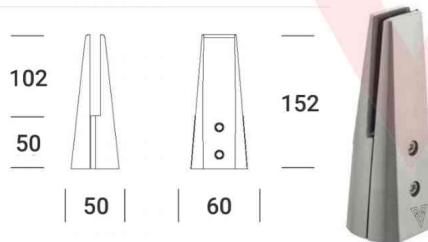
01VS010



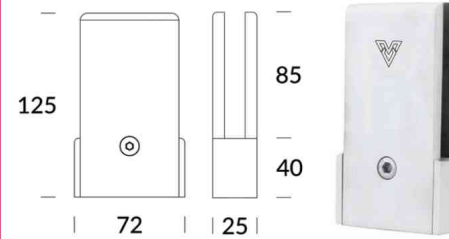
01VS011



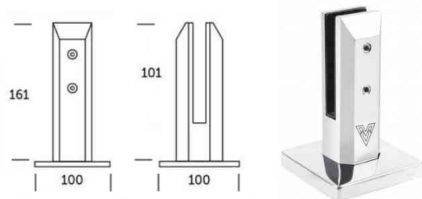
01VS012



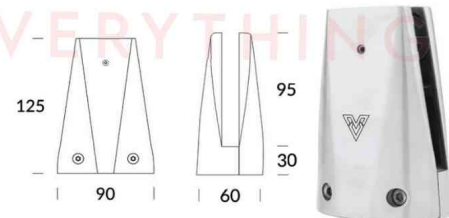
01VS013



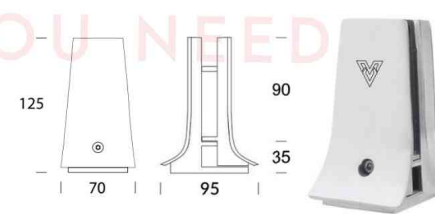
01VS014



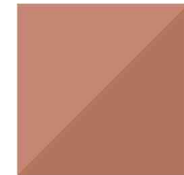
01VS015



01VS016



SS Finish



PVD Rose Gold



PVD Gold



PVD Grey Black



PVD Black

All Finish Are Available In
Glossy & Matt

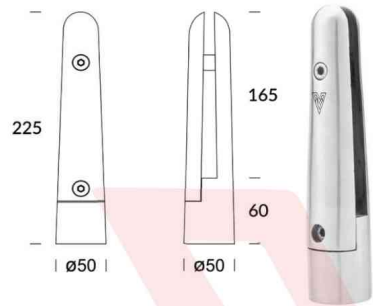


www.vagmineindia.com

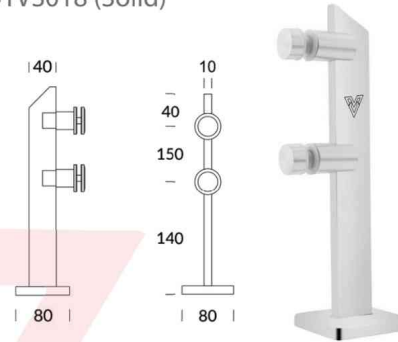
TOP MOUNT

SPIGOTS

01VS017

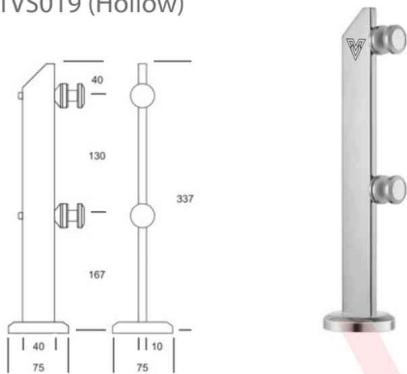


01VS018 (Solid)

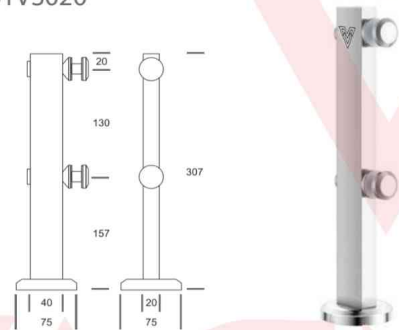


SS Finish

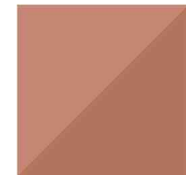
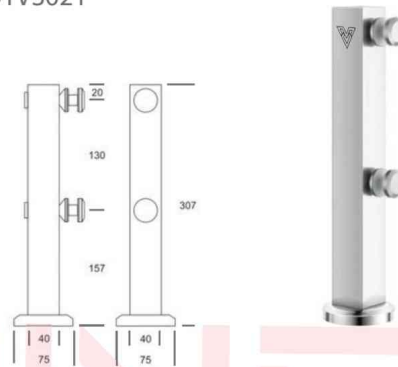
01VS019 (Hollow)



01VS020



01VS021



PVD Rose Gold



PVD Gold

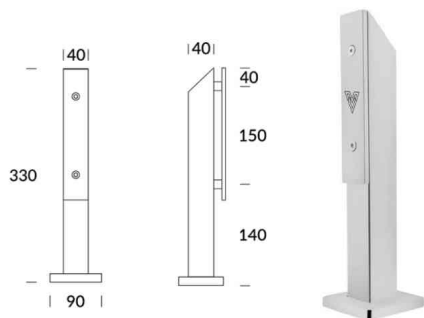


PVD Grey Black



PVD Black

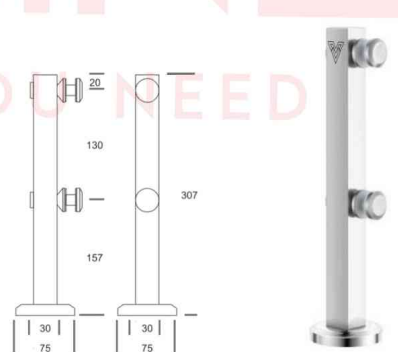
01VS022



01VS023



01VS024



All Finish Are Available In
Glossy & Matt

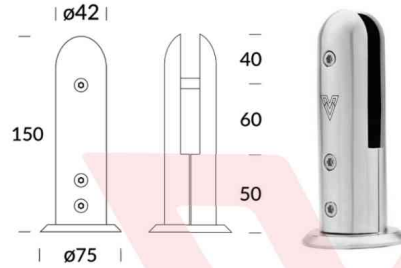


www.vagmineindia.com

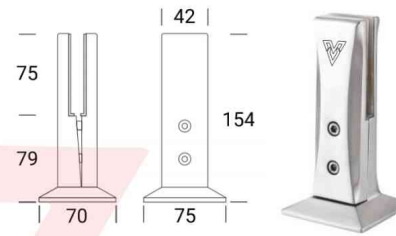
TOP MOUNT

SPIGOTS

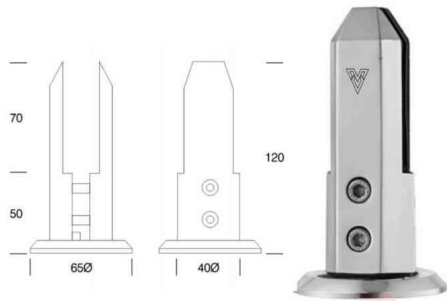
01VS025



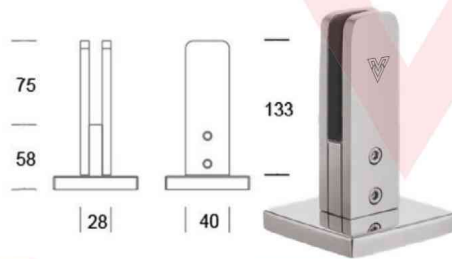
01VS026



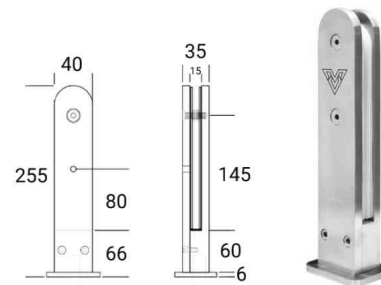
01VS027



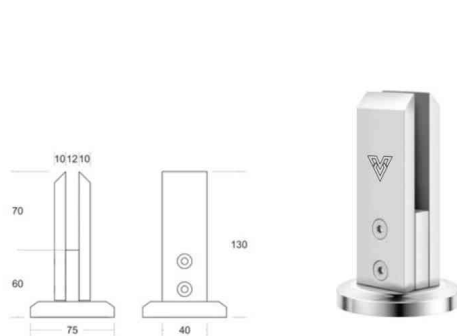
01VS028



01VS029



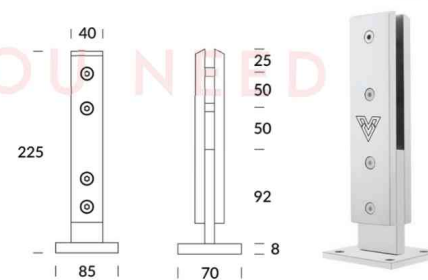
01VS030



01VS031



01VS032



SS Finish



PVD Rose Gold

PVD Gold



PVD Grey Black

PVD Black

All Finish Are Available In
Glossy & Matt



www.vagmineindia.com

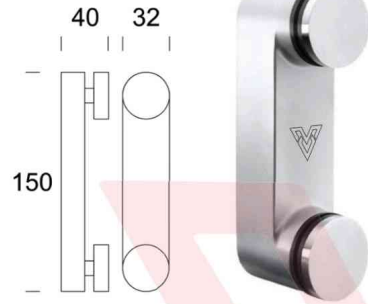


www.vagmineindia.com

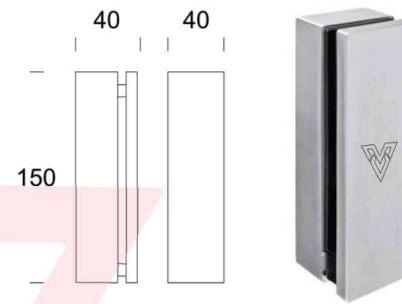
TOP MOUNT

SPIGOTS

01VS033



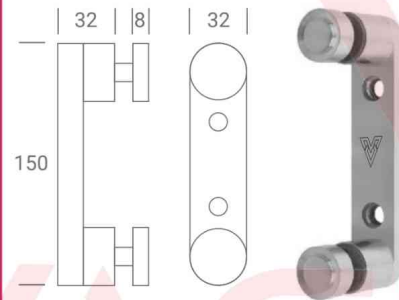
01VS034



01VS035



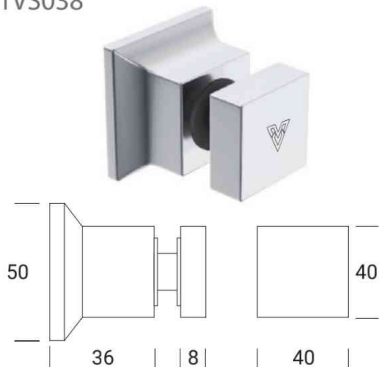
01VS036



01VS037



01VS038



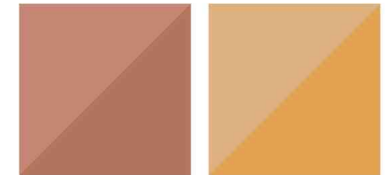
01VS039



01VS040



SS Finish



PVD Rose Gold

PVD Gold



PVD Grey Black

PVD Black

All Finish Are Available In
Glossy & Matt

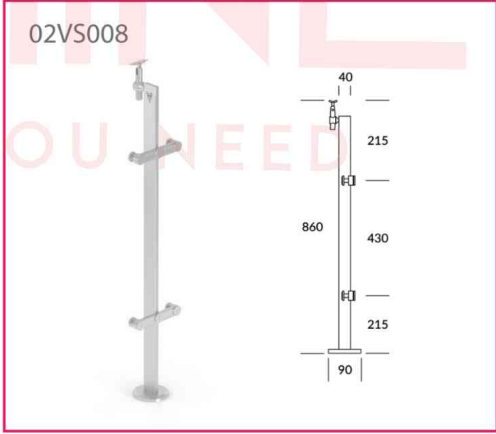
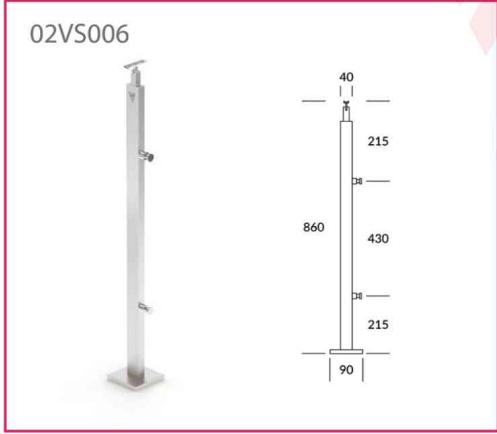
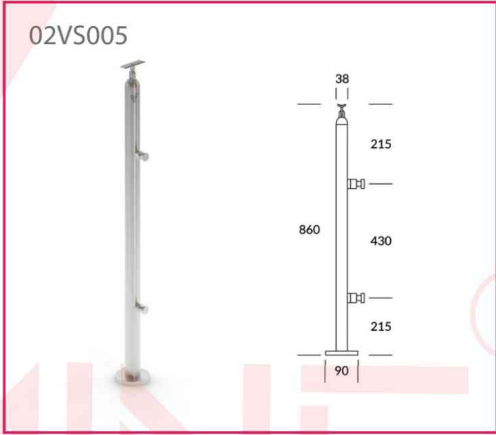
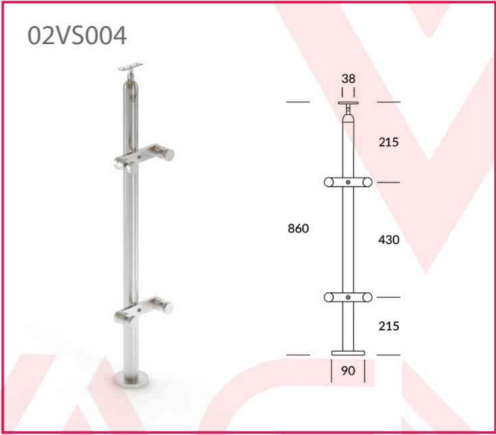
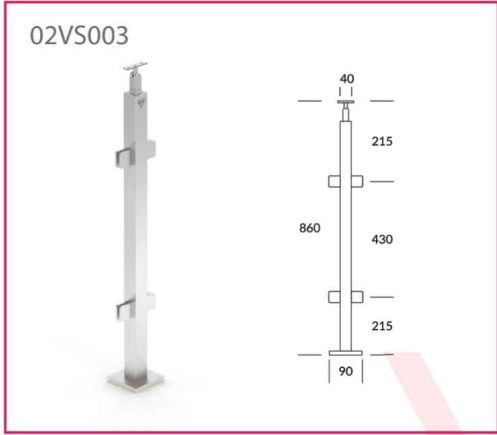
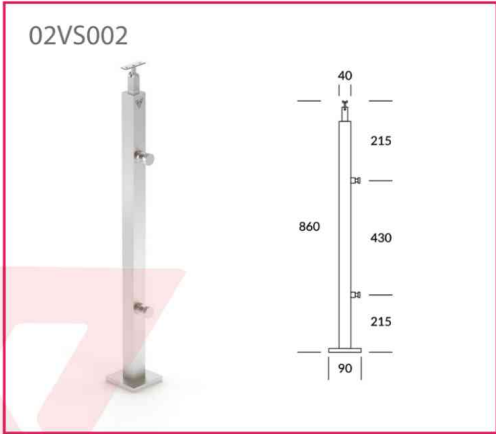
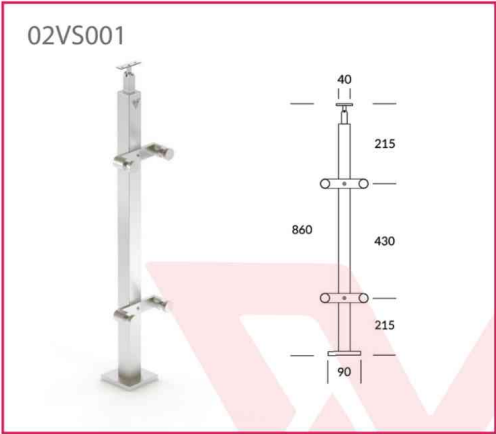


www.vagmineindia.com

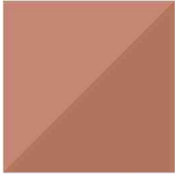


www.vagmineindia.com

TOP MOUNT
BALUSTERS



SS Finish



PVD Rose Gold



PVD Gold



PVD Grey Black



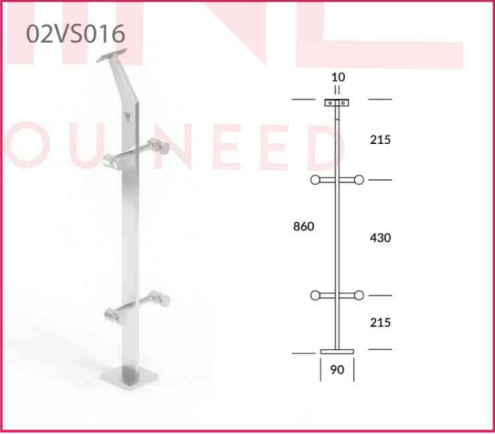
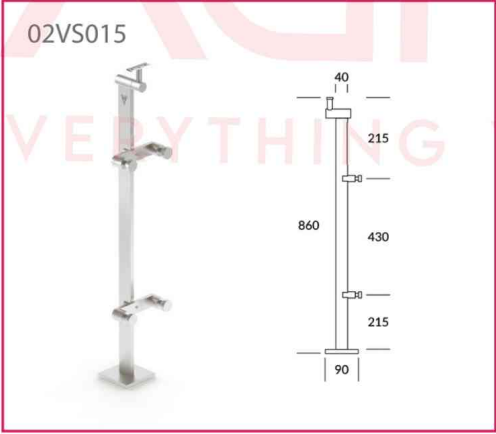
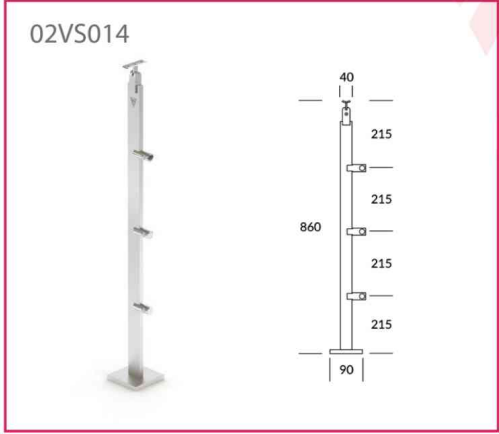
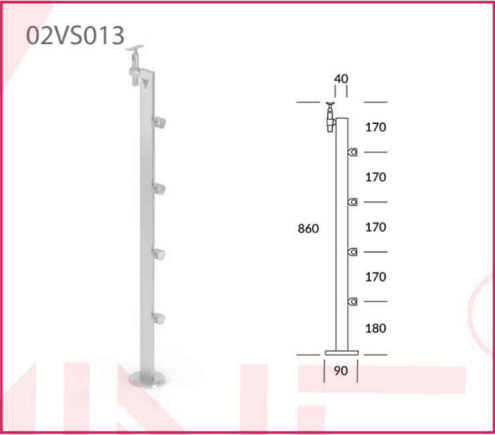
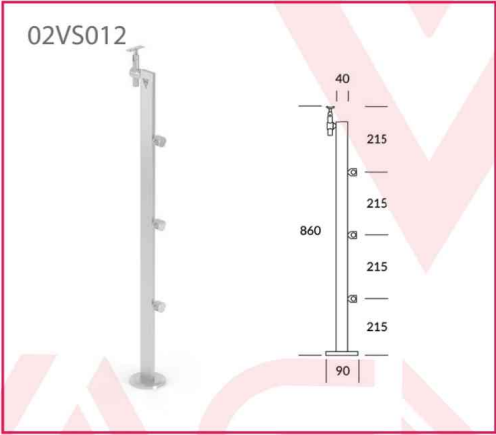
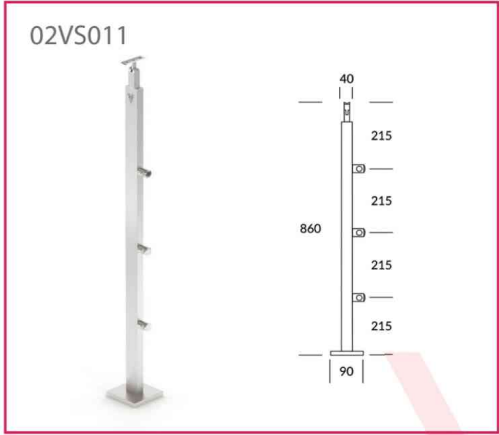
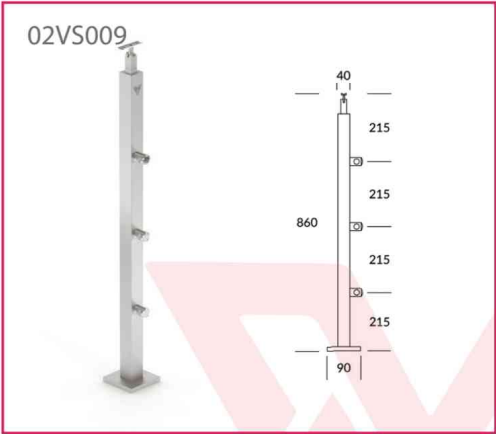
PVD Black

All Finish Are Available In
Glossy & Matt

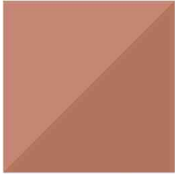


www.vagmineindia.com

TOP MOUNT
BALUSTERS



SS Finish



PVD Rose Gold



PVD Gold



PVD Grey Black



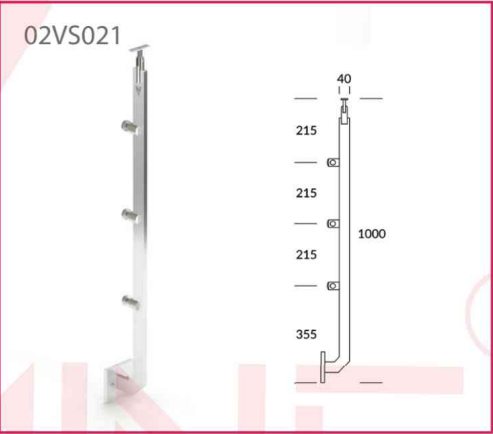
PVD Black

All Finish Are Available In Glossy & Matt

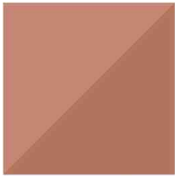


www.vagmineindia.com

SIDE MOUNT
BALUSTERS



SS Finish



PVD Rose Gold



PVD Gold



PVD Grey Black



PVD Black

All Finish Are Available In
Glossy & Matt



www.vagmineindia.com



CUSTOMISE (PROJECT)

BALUSTERS

02VS025



02VS026



02VS027



02VS028



02VS029



02VS030



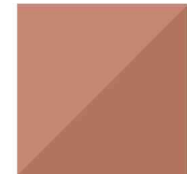
02VS031



02VS032



SS Finish



PVD Rose Gold



PVD Gold



PVD Grey Black



PVD Black

All Finish Are Available In
Glossy & Matt

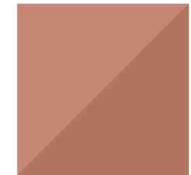


www.vagmineindia.com

HANDRAIL
BRACKETS



SS Finish



PVD Rose Gold



PVD Gold



PVD Grey Black



PVD Black

All Finish Are Available In
Glossy & Matt




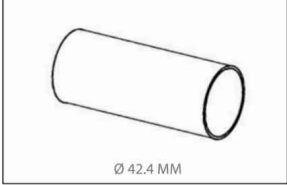
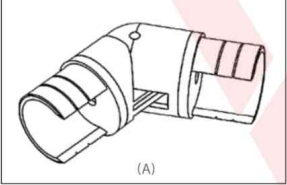
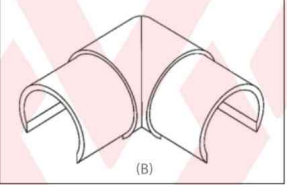
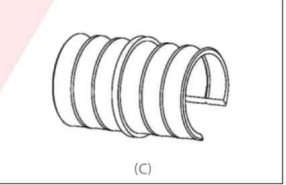
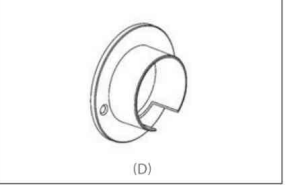
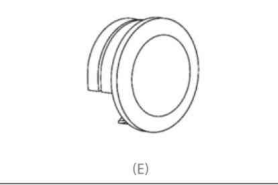

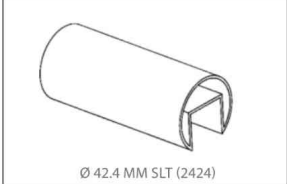
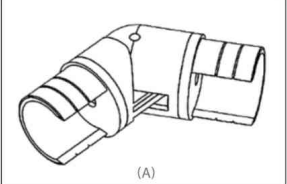
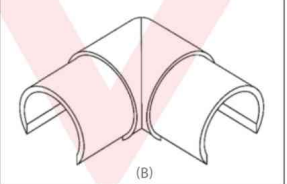
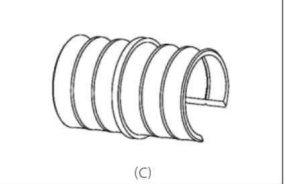
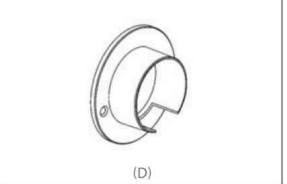
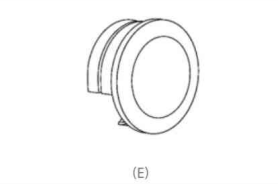

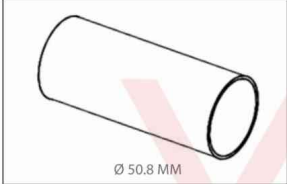
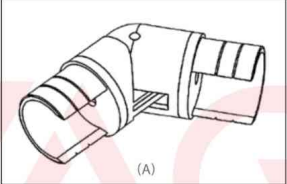
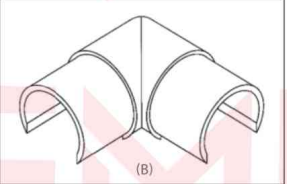
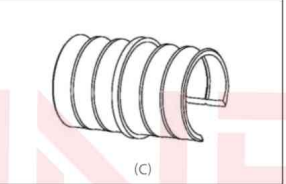
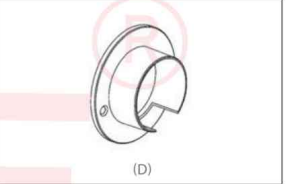
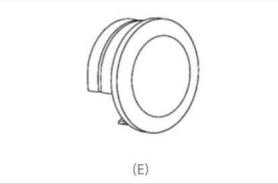

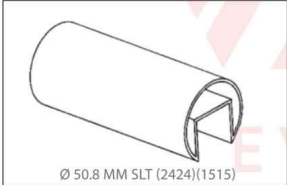
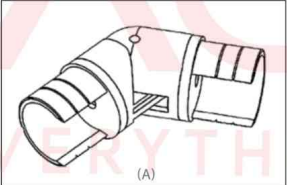
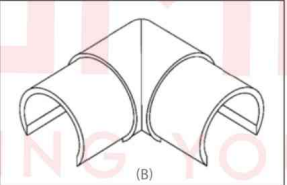
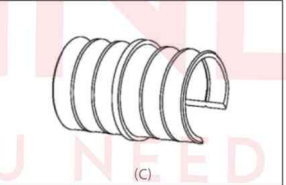
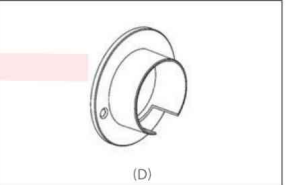
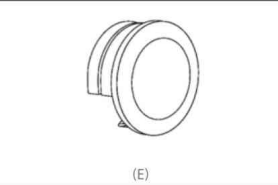

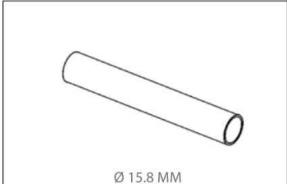
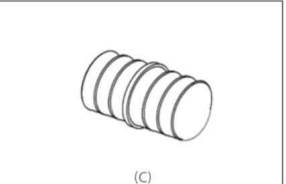
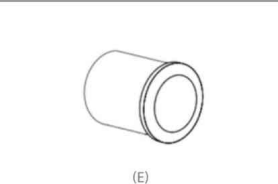
www.vagmineindia.com



www.vagmineindia.com


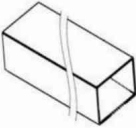

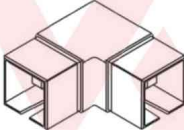
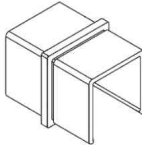
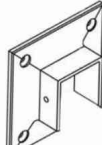
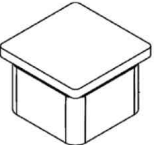

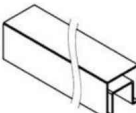

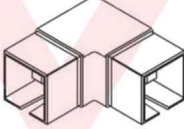
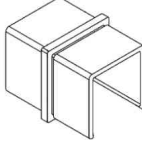
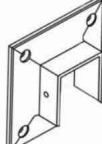
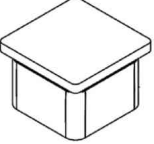

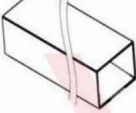


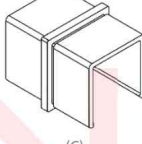

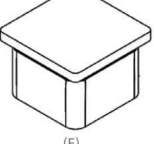

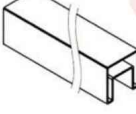

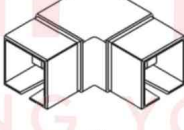
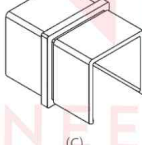
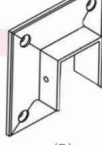
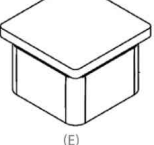
SS 304 / 316

HANDRAIL

	HANDRAIL	SIZE	MODULAR BEND	90° BEND	CONNECTOR	WALL CONCEAL	END CAP
04V5001		 Ø 42.4 MM	 (A)	 (B)	 (C)	 (D)	 (E)
04V5002		 Ø 42.4 MM SLT (2424)	 (A)	 (B)	 (C)	 (D)	 (E)
04V5003		 Ø 50.8 MM	 (A)	 (B)	 (C)	 (D)	 (E)
04V5004		 Ø 50.8 MM SLT (2424)(1515)	 (A)	 (B)	 (C)	 (D)	 (E)
04V5005		 Ø 15.8 MM	— (A)	— (B)	 (C)	— (D)	 (E)

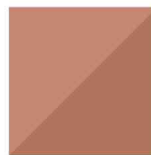
SS 304 / 316

HANDRAIL

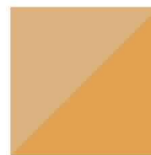
	HANDRAIL	SIZE	MODULAR BEND	90° BEND	CONNECTOR	WALL CONCEAL	END CAP
04V5006		 40 X 40	 (A)	 (B)	 (C)	 (D)	 (E)
04V5007		 40 X 40 SLT (2424)(1515)	 (A)	 (B)	 (C)	 (D)	 (E)
04V5008		 50 X 50	 (A)	 (B)	 (C)	 (D)	 (E)
04V5009		 50 X 50 SLT (1515)	 (A)	 (B)	 (C)	 (D)	 (E)



SS Finish



PVD Rose Gold



PVD Gold



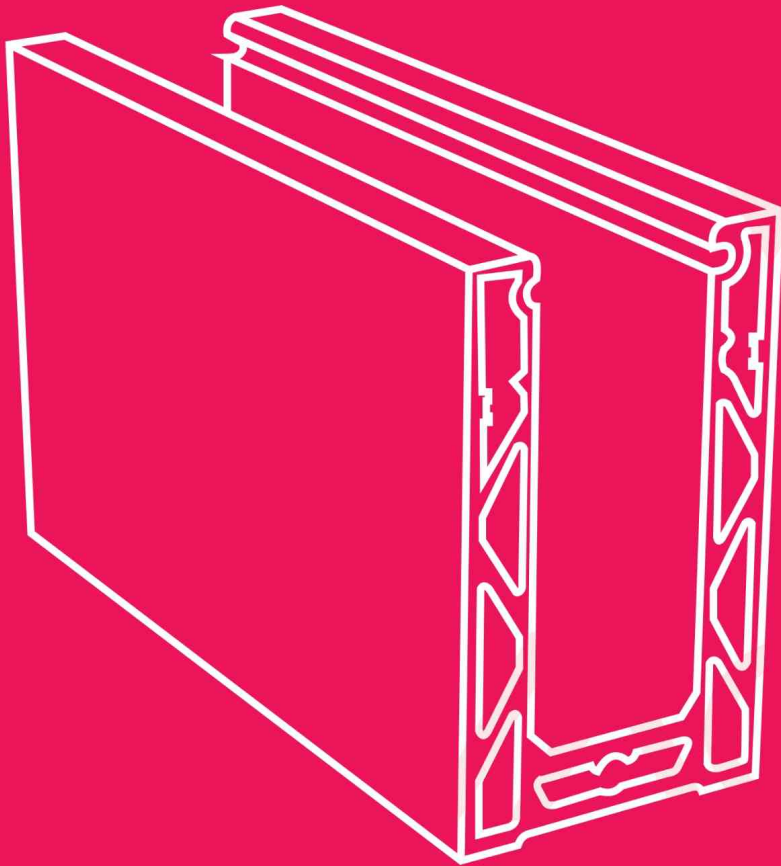
PVD Grey Black



PVD Black



www.vagmineindia.com



The **VAGMINE** Continuous profile system is an on-floor glass supporting system with a continuous base aluminum profile, allowing the replacement of the glass without damaging the system or the floor.

The bracket with cover railing system features a sleek design with a sloped upper edge, making it dust-free. The brackets are fixed to the floor and covered by a fascia profile, which is easy to remove for glass replacement.

Additionally, brackets without covers are ideal for constructing glass railings on floors or parapets using a special bracket profile. This system is an excellent solution for balconies, offering a cost-effective yet impressive and functional result without limiting the view.

Use : Indoor & Outdoor
Mount : Top | Side | Concealed
Material : Aluminium Alloy 6063 - T6

Glass Height : 900 mm to 1200 mm

Glass Thickness : 12 mm to 19 mm

Finish : Anodized | Powder Coat
Wood Coat

Length : 12 ft | 13 ft | 16 ft

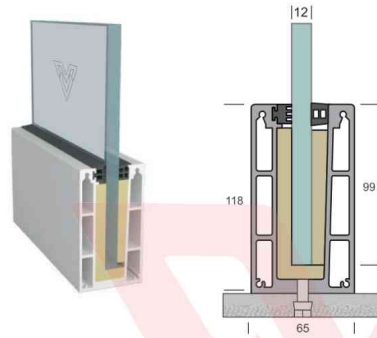


www.vagmineindia.com

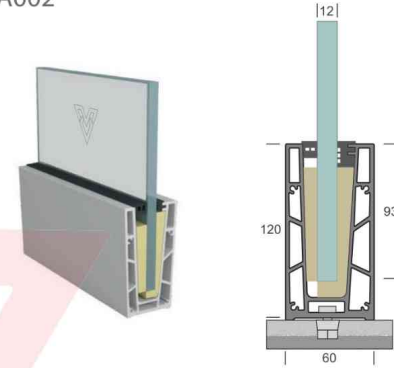
ALUMINIUM

CONTINUOUS PROFILE SYSTEM

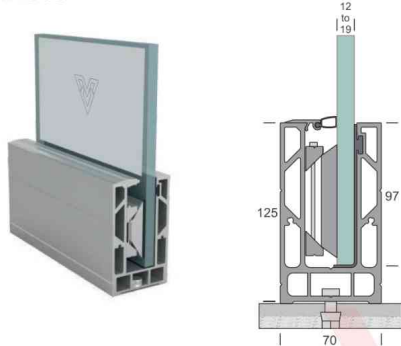
01VA001



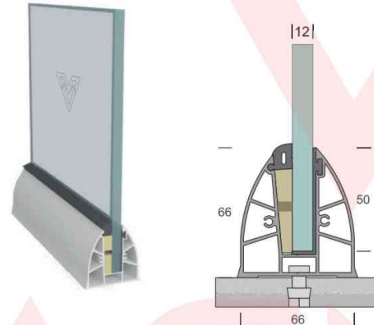
01VA002



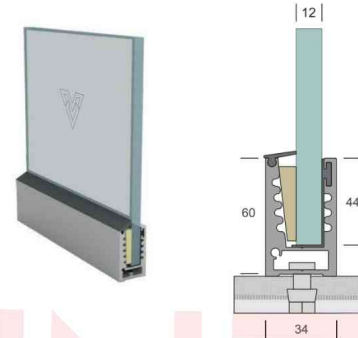
01VA003



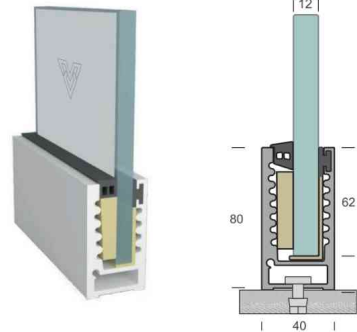
01VA004



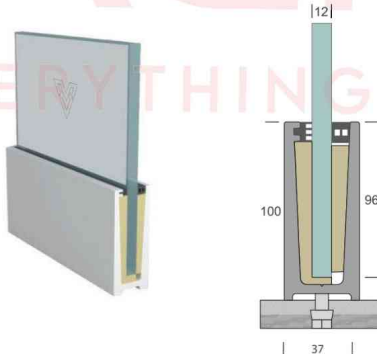
01VA005



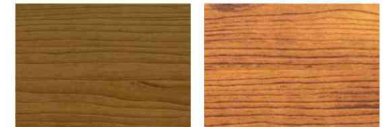
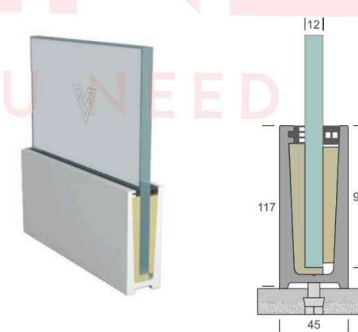
01VA006



01VA007



01VA008



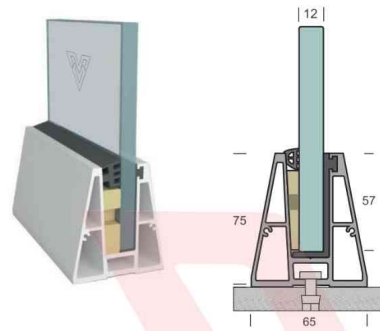
All Finish Are Available In
Glossy & Matt



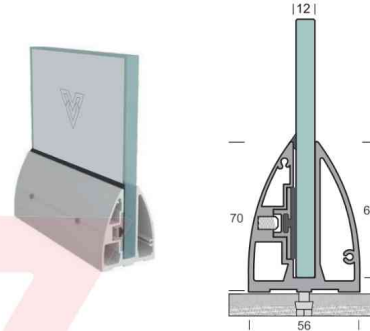
www.vagmineindia.com

CONTINUOUS PROFILE SYSTEM

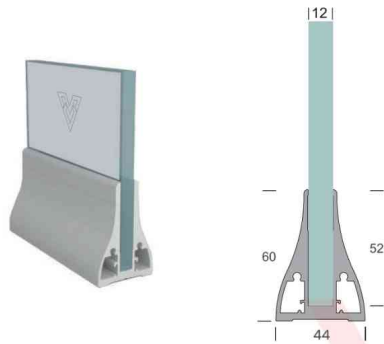
01VA009



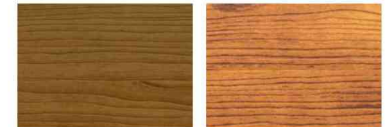
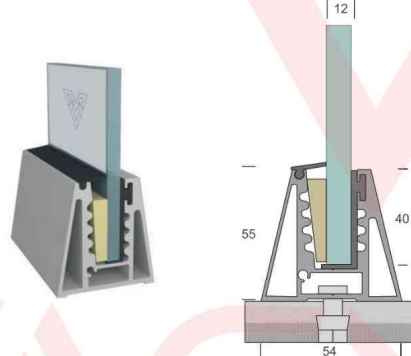
01VA010



01VA011



01VA012



All Finish Are Available In
Glossy & Matt

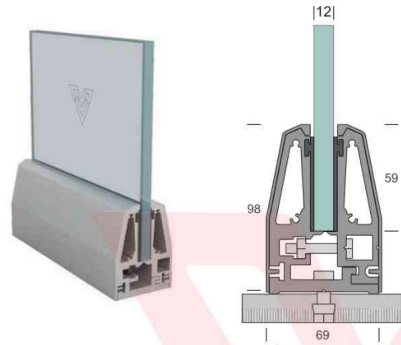


www.vagmineindia.com

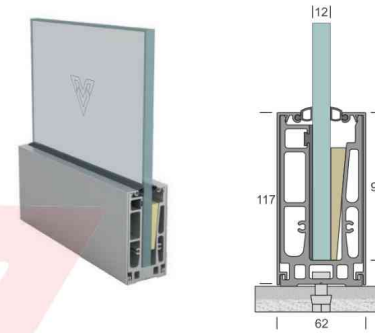


BRACKETS WITH
COVER SYSTEM

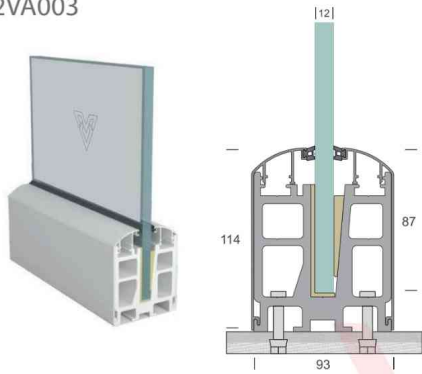
02VA001



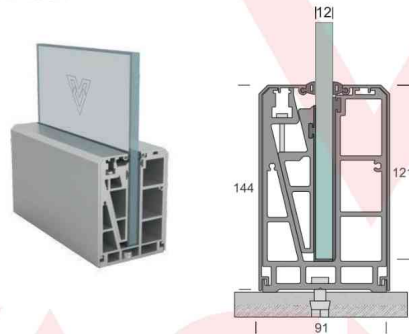
02VA002



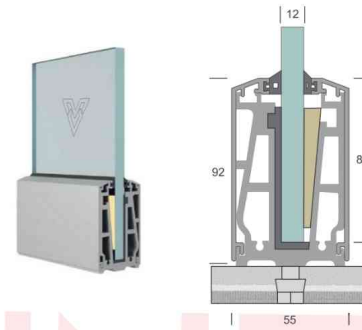
02VA003



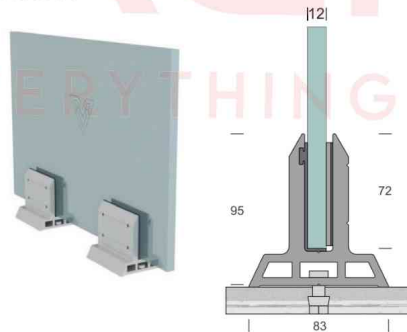
02VA004



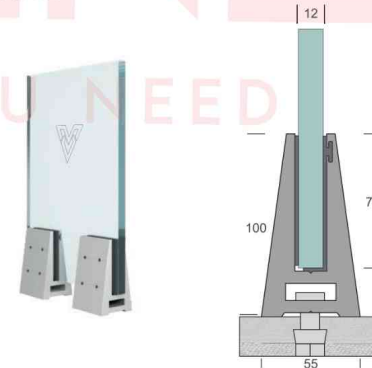
02VA005



03VA001



03VA002




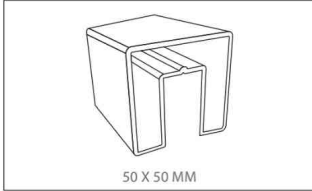
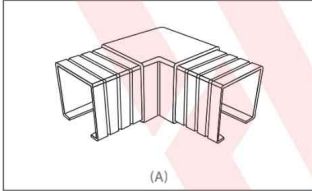
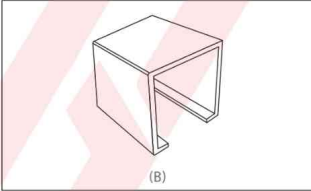
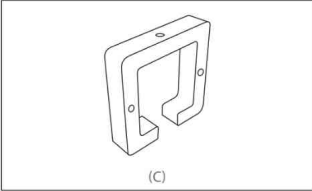
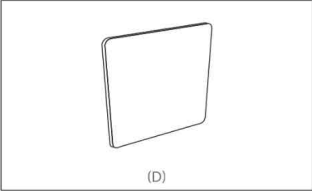

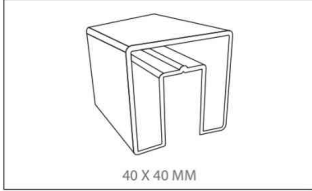
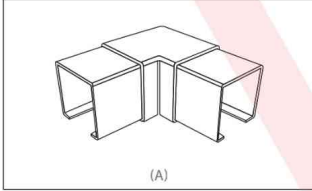
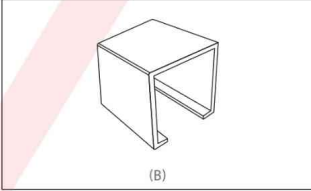
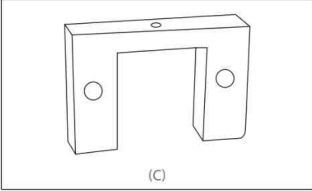
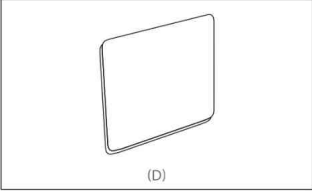

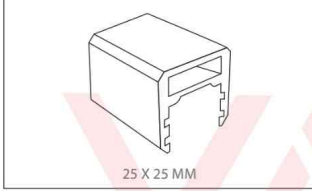
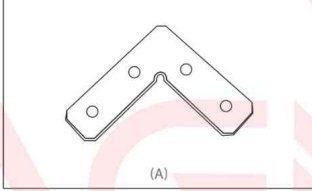
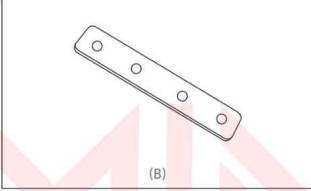
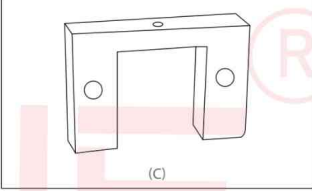
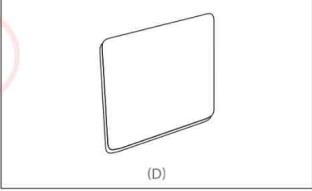

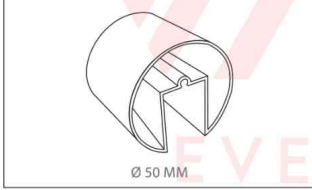
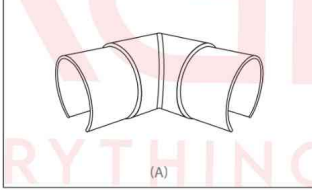
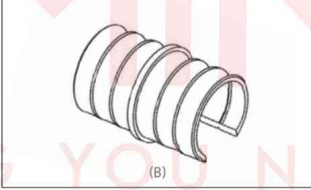
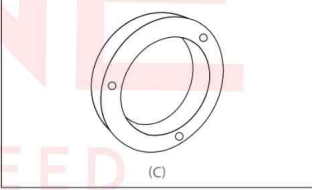
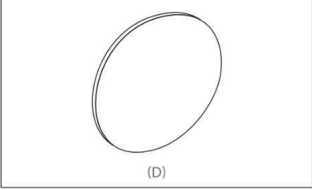


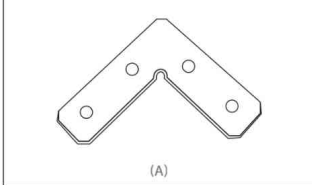
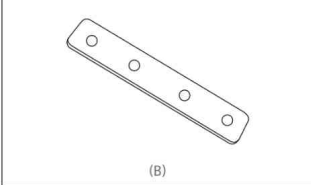
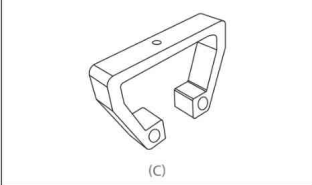
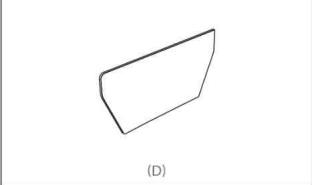
TOP MOUNT
BRACKETS


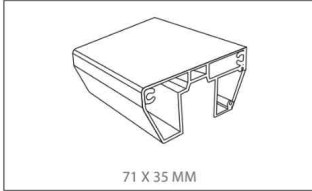
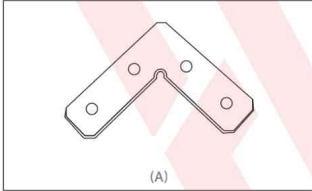
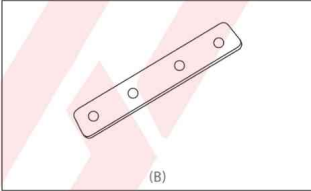
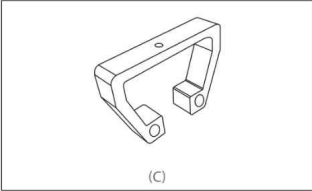
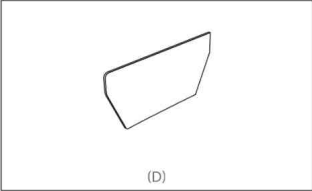

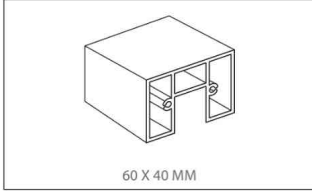
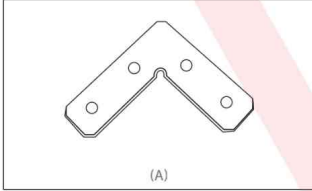
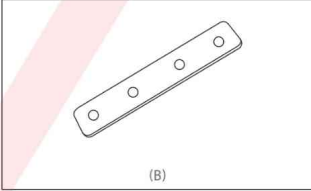
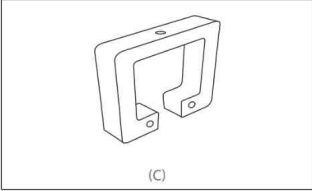
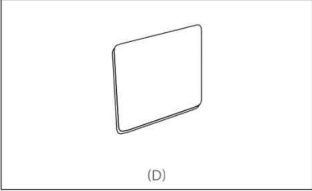


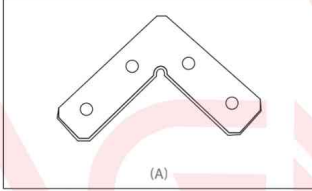
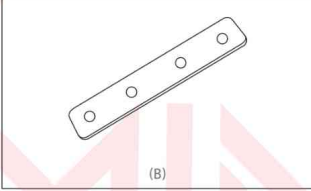
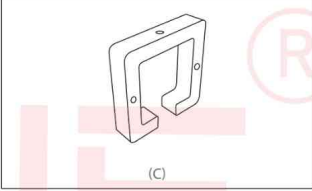
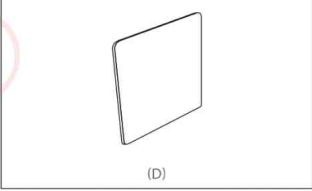


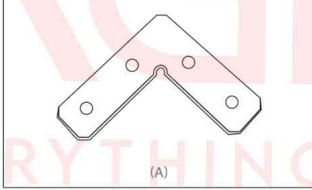
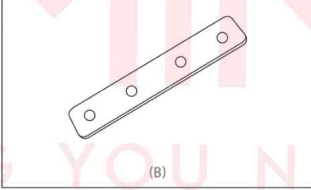
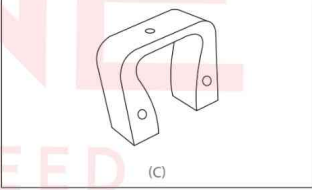
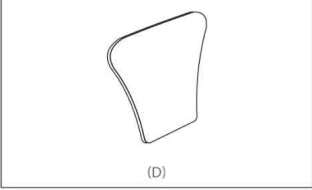

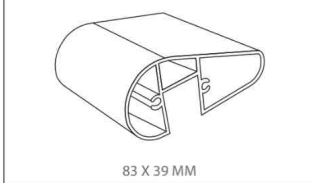
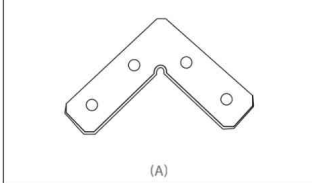
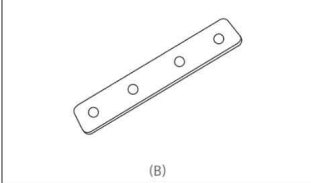
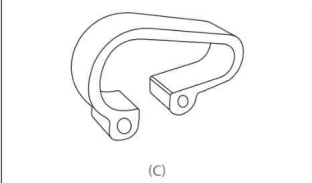
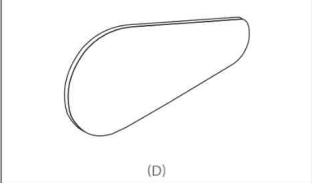


All Finish Are Available In
Glossy & Matt



www.vagmineindia.com

	HANDRAIL	SIZE	90° BEND	CONNECTOR	WALL CONCEAL	END CAP
04VA001		 50 X 50 MM	 (A)	 (B)	 (C)	 (D)
04VA002		 40 X 40 MM	 (A)	 (B)	 (C)	 (D)
04VA003		 25 X 25 MM	 (A)	 (B)	 (C)	 (D)
04VA004		 Ø 50 MM	 (A)	 (B)	 (C)	 (D)
04VA005		 71 X 35 MM LED	 (A)	 (B)	 (C)	 (D)

	HANDRAIL	SIZE	90° BEND	CONNECTOR	WALL CONCEAL	END CAP
04VA006		 71 X 35 MM	 (A)	 (B)	 (C)	 (D)
04VA007		 60 X 40 MM	 (A)	 (B)	 (C)	 (D)
04VA008		 50 X 50 MM LED	 (A)	 (B)	 (C)	 (D)
04VA009		 41 X 35 MM	 (A)	 (B)	 (C)	 (D)
04VA010		 83 X 39 MM	 (A)	 (B)	 (C)	 (D)



MARUTI RAILING WORLD

Rajkot (Gujarat) India

Mo. : +91 99040 87571

Mail : sales@vagmineindia.com

web : www.vagmineindia.com