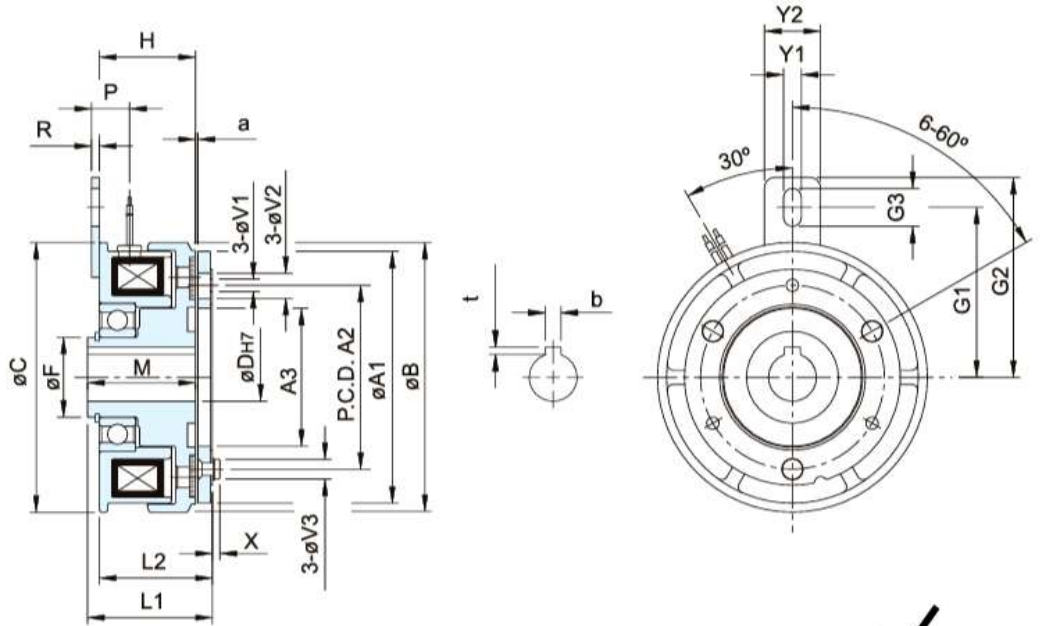


# Electromagnetic Bearing - Mounted Clutch



型號 MODEL		CDE0S6AA(AB)	CDE1S5AA	CDE2S5AA	CDE005AA	CDE010AA
靜摩擦轉距 [kgm](Nm) Static Friction Torque		0.55(5.5)	1.1(11)	2.2(22)	4.5(45)	9(90)
動摩擦轉距 [kgm](Nm) Dynamic Friction Torque		0.5(5.0)	1.0(10)	2.0(20)	4(40)	8(80)
功率 Power [24V](W) at 20°C		11	15	20	25	35
徑 方 向 Radius	A1	63	80	100	125	160
	A2	46	60	76	95	120
	A3	34.5	41.5	52	62	80
	B	67.5	85	106	133	169
	C	67.5	85	106	133	169
	D	12(15)	15	20	25	30
	F	20	25	30	40	50
	H	24.6	27	30	33.5	38.9
	R	2	2	2	2	3
	L1	31.1	34.2	40	45	52.7
	L2	28.6	31.6	36	40.8	48.4
	M	27.1	29.5	34	37.7	43.2
	P	9.5	11.5	11.6	11.6	14.5
	V1	3.1	4.1	5.1	6.1	8.1
	V2	6.3	8	12	13	15
	V3	6	6	7.5	9.8	13
	X	1.5	1.4	1.7	2	2.5
a	0.2 (±0.05)			0.3 (+0.05/-0.1)		
軸 方 向 Shaft	G1	42.75	55	61.75	76.3	98.4
	G2	49.5	63.5	72.5	85	112
	G3	9.5	10.5	15.5	11.5	18.5
	Y1	4.5	5.5	6.5	6.5	8.5
	Y2	12	14	16	16	25
	b	4(5)	5	5	7	7
	t	1.8(2.3)	2.3	2.3	3.3	3.3
重量 Weight (kg)	0.48	0.87	1.62	2.91	5.6	
保護素子 Protective device	470KD07	GD80KD10		GD80KD14		