



## Seal Type 82/C - Metal Bellow Cartridge

### PRODUCT DESCRIPTION

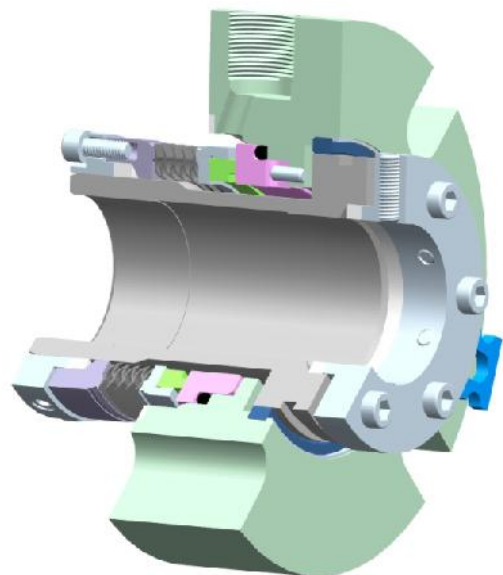
Type 82/C – Grafoil Packing Cartridge mechanical seals are destined for petrochemical, chemical, pharmaceutical and food processing industry, for process pumps and other equipment with rotating shaft. Rotating bellows design acts to clear convolutions and prevent accumulation of debris. These bellow seals are constructed by welding a series of diaphragms together at the edges to form a bellows unit. Recommended for high temperature mediums e.g. hot oils, pitch, tar and other hydrocarbons, fuels, liquid gases and other mediums with low content of abrasives.

### DESIGN FEATURES

Single Acting. Dual directional. Inside mounted. Inherently Balanced Mechanical Seals. Independent of direction of rotation. Unitized, Easy-to-Fit Design.

### MATERIALS

Seal Ring Faces : Carbon, SiC and TC  
Seat Faces : TC and SiC  
Elastomer : Flexible Graphite  
End fitting MOC : SS 316, Hast – C and Carpenter 42  
Bellow MOC : HAST – C, AM350 and Inconel

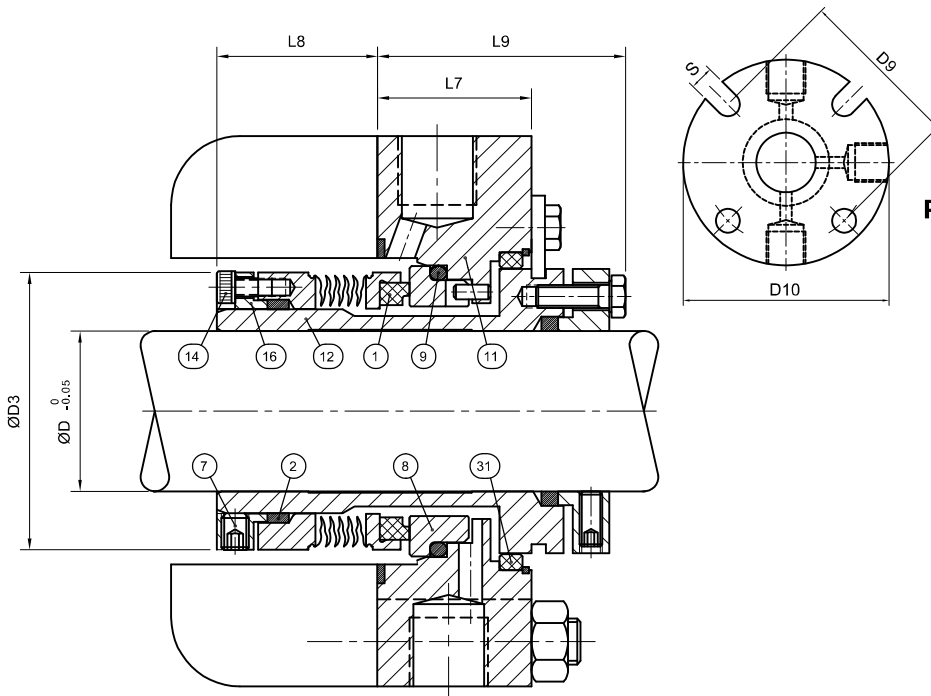


### OPERATING CAPABILITIES

Shaft Dia. : 25mm to 100mm  
Pressure : Up to 25 bar  
Temperature: -70°C to 350°C  
Speed : 3000 r.p.m.

**Type - 82C**

**Metal Bellow Cartridge**



Part No.	Description
1	Metal Bellow Assembly
2	Packing
7	Set Screw
8	Seat
9	Packing
11	Gland Plate
12	Sleeve
14	Allen Cap Screw
16	Drive Ring
31	Throttle Bush

SEAL SIZE		D3	D9	D10	L7	L8	L9	S
inch	mm							
1.000	25.40	50.80	78.00	108.00	32.00	41.65	48.80	12.70
1.125	28.58	54.00	82.30	108.00	32.00	41.65	48.80	12.70
1.250	31.75	57.10	84.00	114.30	32.00	42.70	48.80	12.70
1.375	34.92	60.30	91.95	120.65	33.50	42.65	50.55	12.70
1.500	38.10	63.50	94.50	133.35	33.50	42.70	50.50	14.20
1.625	41.28	66.70	98.30	139.70	33.50	42.70	50.50	14.20
1.750	44.45	69.85	101.35	146.00	33.50	42.70	50.50	14.20
1.875	47.62	73.00	107.70	152.40	35.00	45.70	52.00	14.20
2.000	50.80	76.20	111.00	158.75	35.00	45.70	52.00	17.50
2.125	53.98	82.50	114.00	158.75	35.00	45.70	52.00	17.50
2.250	57.15	85.70	117.35	165.10	35.00	45.70	52.00	17.50
2.375	60.32	88.90	117.35	165.10	36.80	45.70	53.60	17.50
2.500	63.50	93.65	120.40	165.10	36.80	45.70	53.60	17.50
2.625	66.68	96.80	126.75	171.50	36.80	46.20	53.60	17.50

Due to continuous improvement specifications and dimensions may change without prior notice.