



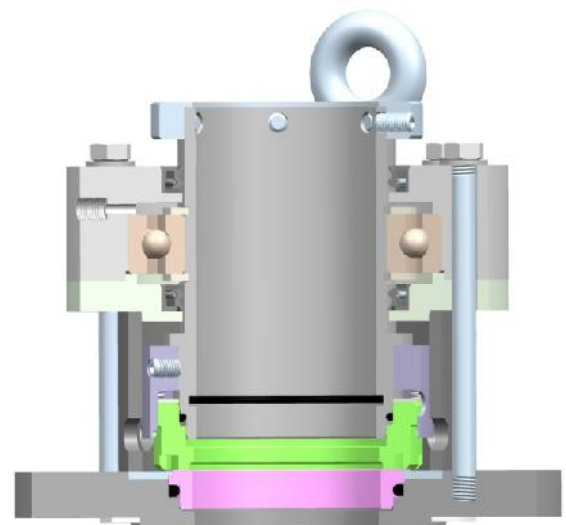
Type SPD105 & SPD105/B - Dry Running Seal For Glass Lined

PRODUCT DESCRIPTION

Seal Type SPD105 and SPD105/B Mechanical Seals are designed for Top Entry Drives in Glass Lined Vessel. Compact Economical Cartridge Mechanical Seal for Glass Lined Vessel. These Seal specially designed for any mixed and pressurized liquid in Vessel with Top Entry Agitators where no leakage of Highly Acidic Process Gas OR Fluids to the Environment can be tolerated. Complete Pre-assembled Tested Unit ready for installation. These Seal are used for Exclusive Solid Seal Faces, Stationary Seats, thus Lowest Level of Seal face distortion when Expose to Compressive Load and Thermal Pressure.

DESIGN FEATURES

Balance Pusher Seals which gives better performance in and for Sealing Environment. Dry Run Seals are excellent with Low RPM Operation in Full Vacuum and Pressure. These Seals Design for using either without Bearing (SPD105) OR with Integral Bearing (SPD105/B). Various Elastomers can be offer for various Liquid applications. These Seals Designed with Cooling Water Jacket which ensure Cool Running of seals.

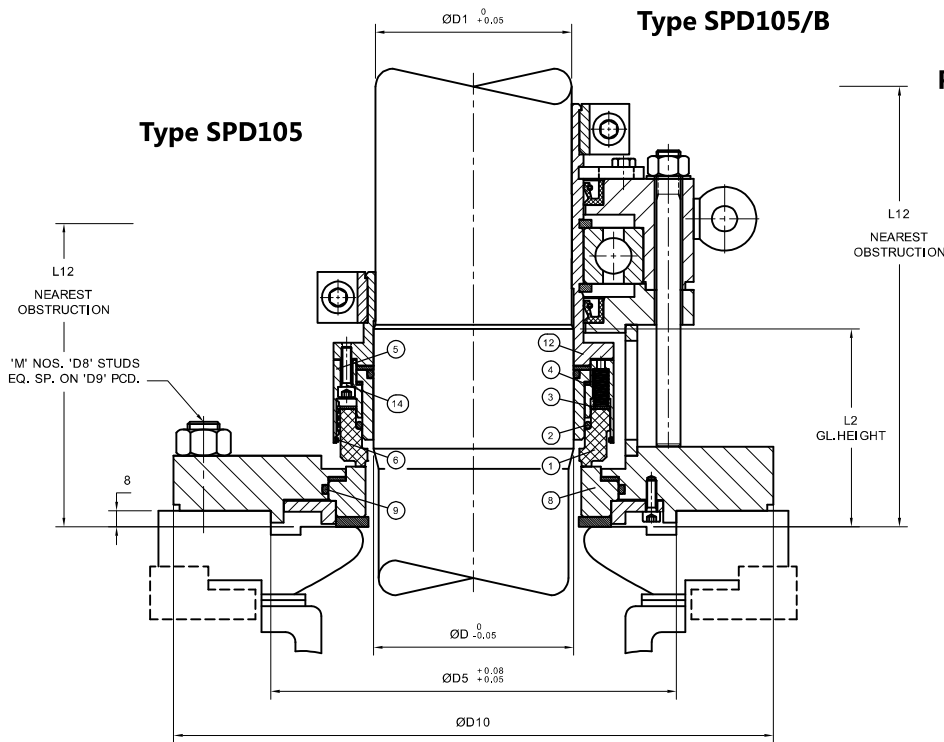


MATERIALS

Seal Ring Faces	: Carbon and SiC
Seat Faces	: SiC and Ceramic
Elastomer	: Viton, TTV, FEP and FFKM
MOC	: SS 316 – CHANGE OF MOC ON REQUEST

OPERATING CAPABILITIES

Shaft Dia.	: 25mm to 150mm
Pressure	: Full Vacuum to 8 bar
Temperature:	-30°C to 150°C (Depending upon Elastomer)
Speed	: 250 r.p.m.



Part No.	Description
1	Seal Ring
2	O-Ring
3	Thrust Ring
4	Spring
5	Spring Holder
6	Snap Ring
8	Seat
9	O-Ring
12	Sleeve
14	Cap Screw

SHAFT D mm	D1	D5	M,D8	D9	D10	L2	L12 521D	L12 521DB
40.00	38.00	114.00	4, M16	145.00	170.00	80.00	170.00	230.00
50.00	48.00	126.00	8, M16	155.00	180.00	80.00	180.00	240.00
60.00	58.00	137.00	8, M16	170.00	195.00	90.00	180.00	240.00
80.00	78.00	167.00	8, M16	200.00	225.00	90.00	200.00	260.00
100.00	98.00	203.00	8, M16	270.00	295.00	90.00	200.00	260.00
125.00	120.00	220.00	8, M20	295.00	325.00	103.00	220.00	280.00

Due to continuous improvement specifications and dimensions may change without prior notice.

