



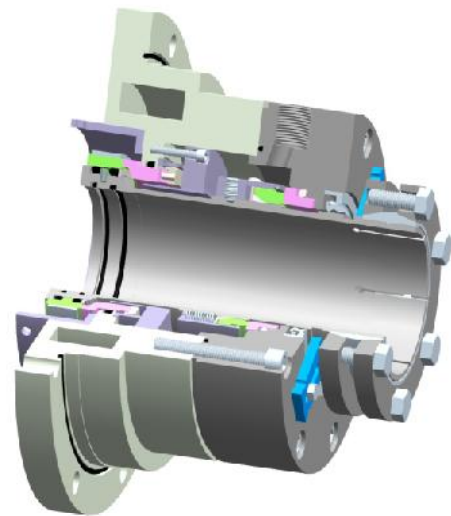
## Type 531/D & 531/D/B - Double Seal for Mill

### PRODUCT DESCRIPTION

Balance Pusher Seals using for Sealing Environment. Double Seals are excellent with high RPM Operation in Full Vacuum and Pressure. These Seals are a Multiple Spring Tandem Arrangement with 'O' Ring as secondary Sealing member. The design may either without bearing (Type 531/D) or with integral bearing (531/D/B). Various Elastomer can be offer for various Liquid applications.

### DESIGN FEATURES

Seal Type 531/D and 531/D/B Mechanical Seals are designed for Side Entry Drives in Dyno mills, Sand mills and Mixtures. Compact Economical Cartridge Double Mechanical Seal for Side entry sealing equipments. Seal Type 531/D/B Design Incorporate with location of Bearings very close to the Seal. Complete Pre-assembled Tested Unit ready for installation. These Seal are used for Exclusive Solid Seal Faces, Stationary Seats, thus Lowest Level of Seal Face distortion when Expose to Compressive Load and Thermal Pressure. The Cooling Chamber of Seals also having a Standard Feature which helps to maintain Cool Environment around the Seal.



### MATERIALS

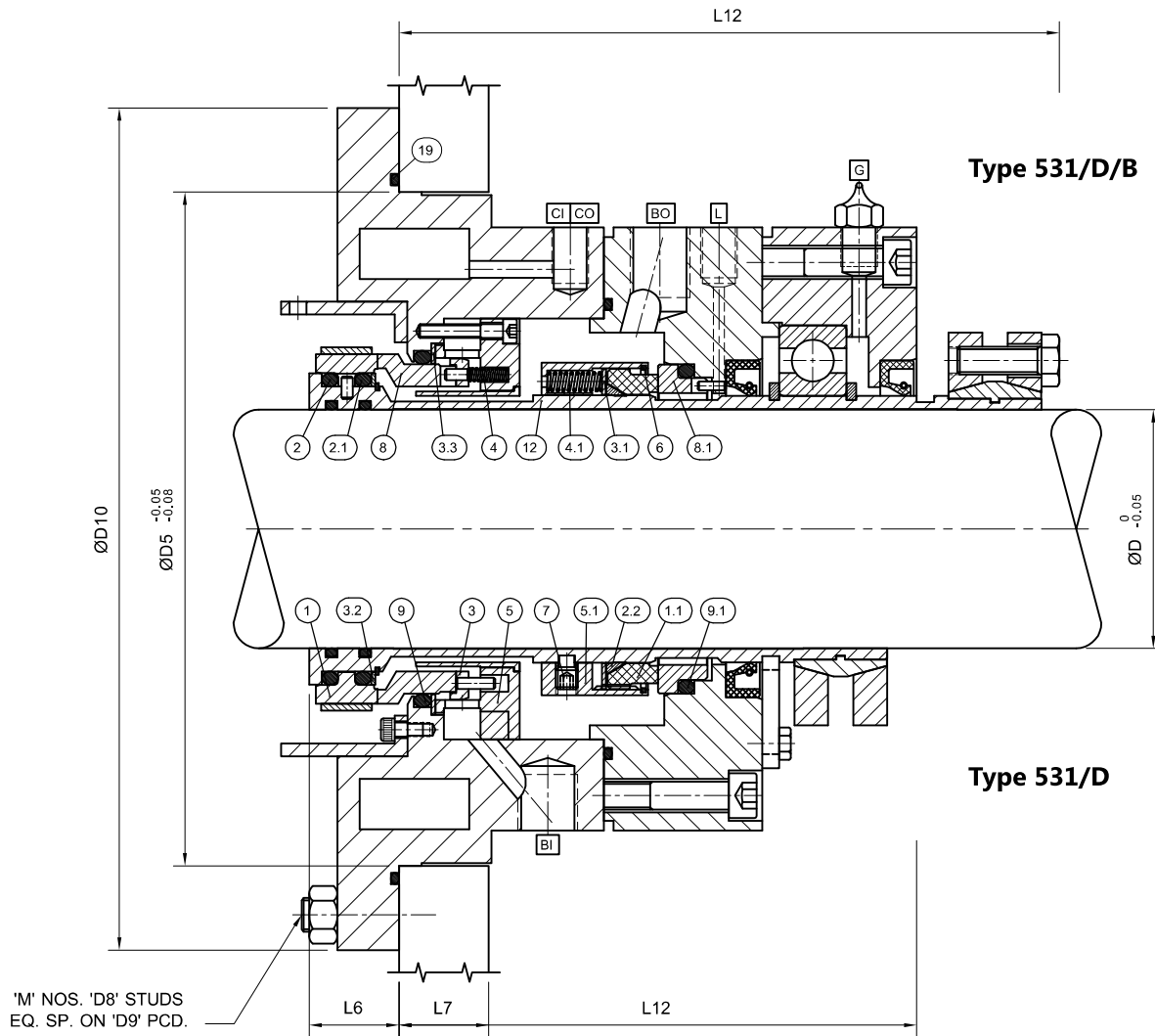
Seal Ring Faces	: Carbon and SiC
Seat Faces	: SiC and TC
Elastomer	: Viton, TTV and FEP
MOC	: SS 316 – CHANGE OF MOC ON REQUEST

### OPERATING CAPABILITIES

Shaft Dia.	: 50mm to 85mm
Pressure	: Full Vacuum to 10 bar
Temperature:	-30°C to 200°C
Speed	: 1500 r.p.m.

**Double Seal For Mill**

**Type - 531/D & 531/D/B**



Part No.	Description	Part No.	Description
1	Seal Ring	5	Spring Holder
1.1	Seal Ring	5.1	Spring Holder
2	O-Ring	6	Snap Ring
2.1	O-Ring	7	Set Screw
2.2	Wedge	8	Seat
3	Thrust Ring	8.1	Seat
3.1	Thrust Ring	9	O-Ring
3.2	Thrust Ring	9.1	O-Ring
3.3	Thrust Ring	19	O-Ring
4	Spring	12	Sleeve
4.1	Spring		

SHAFT D mm	SHAFT D			SHAFT D		L12		L12	
	D5	M,D8	D9	D10	L6	L7	531D	531DB	
60	160	6,M8	190	207	67	34	180	230	
75	180	6,M8	210	232	32	32	190	240	
85	240	8,M12	275	300	32	32	210	250	

Due to continuous improvement specifications and dimensions may change without prior notice.