



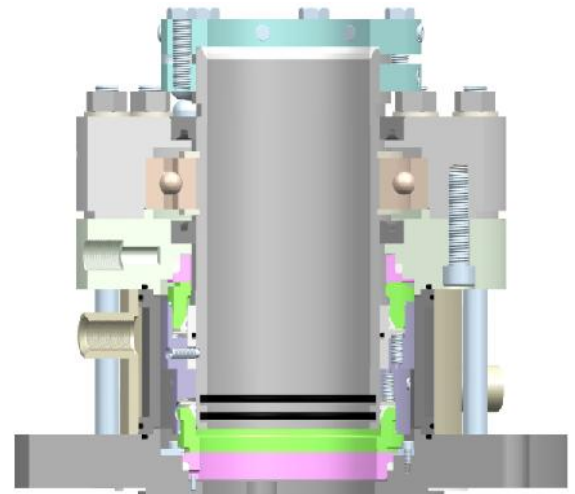
Type 510/D & 510/D/B - Double Seal For SS Reactor

PRODUCT DESCRIPTION

Seal Type 510/D and 510/D/B Mechanical Seals are designed for Top, Side and Bottom Entry Drives in Agitators and Reactors. Compact Economical Cartridge Double Mechanical Seal for Agitators and Reactors. Seal Type 510/D/B Design Incorporate with location of Bearings very close to the Seal. These Seal specially designed for any mixed and pressurized liquid in Vessel with Top Entry Agitators where no leakage in Process Gas OR Fluids to the Environment can be tolerated. Complete Pre-assembled Tested Unit ready for installation. These Seal are used for Exclusive Solid Seal Faces, Stationary Seats, thus Lowest Level of Seal Face distortion when Expose to Compressive Load and Thermal Pressure.

DESIGN FEATURES

Balance Pusher Seals using for Sealing Environment. Double Seals are excellent with Low RPM Operation in Full Vacuum and Pressure. These Seals are a Multiple Spring Back to Back Arrangement with 'O' Ring as secondary Sealing member. The design may either without bearing (Type 510/D) or with integral bearing (510/D/B). Various Elastomer can be offer for various Liquid applications. The Cooling Chamber of Seals also having a Standard Feature with helps to maintain Cool Environment around the Seal.



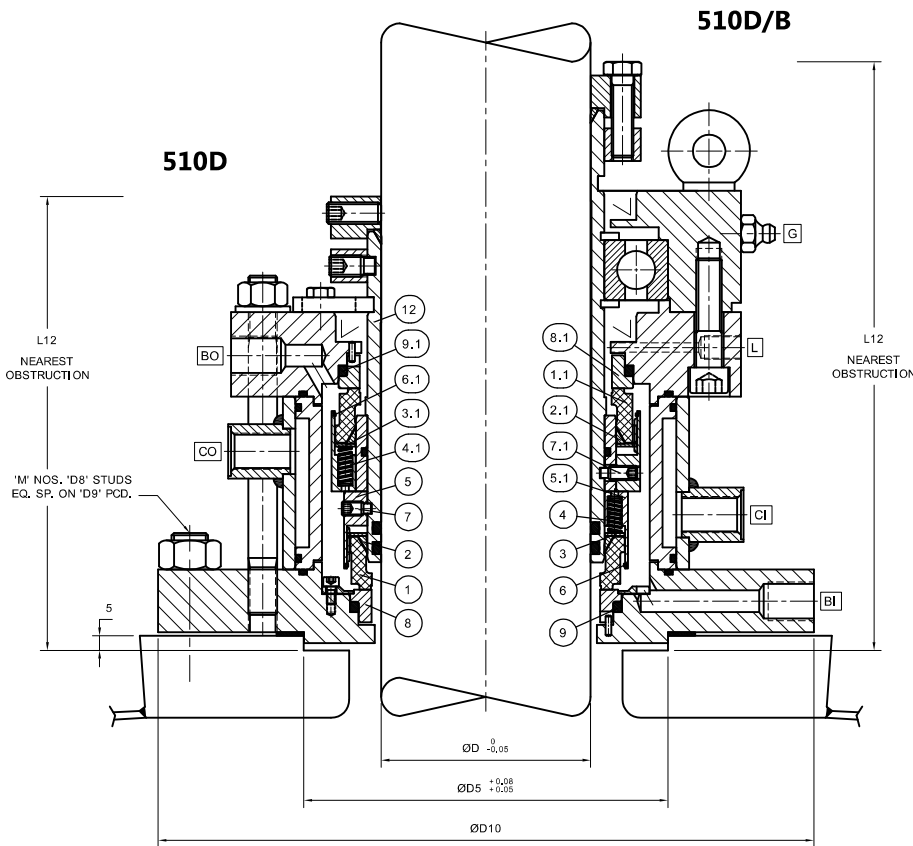
MATERIALS

Seal Ring Faces	: Carbon and SiC
Seat Faces	: SiC and TC
Elastomer	: Viton, TTV, FEP and FFKM
MOC	: SS 316 – CHANGE OF MOC ON REQUEST

OPERATING CAPABILITIES

Shaft Dia.	: 25mm to 200mm
Pressure	: Full Vacuum to 30 bar
Temperature:	-30°C to 260°C (Depending upon Elastomer)
Speed	: 300 r.p.m.

Double Seal For SS Reactor
Type 510/D & 510/D/B



Part No.	Description
1	Seal Ring
1.1	Seal Ring
2	Wedge
2.1	Wedge
3	Thrust Ring
3.1	Thrust Ring
4	Spring
4.1	Spring
5	Spring Holder
5.1	Spring Holder
6	Snap Ring
6.1	Snap Ring
7	Set Screw
7.1	Set Screw
8	Seat
8.1	Seat
9	Packing
9.1	Packing
12	Sleeve

SHAFT D mm	D5	M,D8	D9	D10	L12 510D	L12 510DB
25.00	100.00	8, M12	190.00	215.00	180.00	250.00
30.00	105.00	8, M12	200.00	225.00	180.00	280.00
35.00	110.00	8, M12	205.00	230.00	200.00	280.00
40.00	120.00	8, M12	210.00	235.00	200.00	300.00
45.00	125.00	8, M12	215.00	240.00	210.00	300.00
50.00	130.00	8, M16	220.00	250.00	210.00	310.00
55.00	135.00	8, M16	225.00	255.00	220.00	310.00
60.00	140.00	8, M16	230.00	260.00	220.00	320.00
65.00	145.00	8, M16	235.00	265.00	230.00	320.00
70.00	150.00	8, M16	240.00	270.00	230.00	320.00
75.00	160.00	8, M16	245.00	275.00	240.00	320.00
80.00	165.00	8, M20	250.00	285.00	240.00	320.00
85.00	170.00	8, M20	255.00	290.00	250.00	330.00
90.00	175.00	8, M20	260.00	295.00	250.00	330.00
95.00	180.00	8, M20	265.00	300.00	280.00	340.00
100.00	185.00	8, M20	270.00	305.00	280.00	340.00
105.00	190.00	8, M20	285.00	320.00	290.00	350.00
110.00	195.00	8, M20	300.00	335.00	290.00	350.00
115.00	200.00	12, M20	325.00	360.00	300.00	370.00
120.00	205.00	12, M20	330.00	365.00	300.00	370.00
125.00	210.00	12, M20	335.00	370.00	310.00	390.00
130.00	215.00	12, M20	340.00	375.00	310.00	390.00
140.00	220.00	12, M20	345.00	380.00	325.00	400.00
150.00	225.00	12, M20	350.00	385.00	325.00	400.00

Due to continuous improvement specifications and dimensions may change without prior notice.