



# Type SPB01 - Bearing Isolator

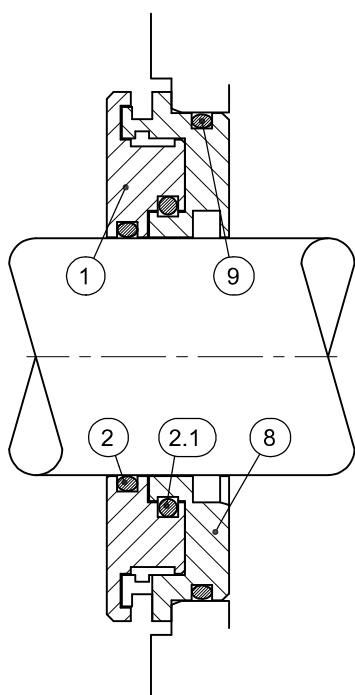


## DESIGN FEATURES

Close tolerance Bearing Isolator design locks out moisture, grit and dust, extending bearing life. Easy to install one piece cartridge unit. On most equipment, requires no modification. No more shaft wearing as compare to conventional Oil seal.

## APPLICATIONS

Installs on bearing frames used in oil & gas, chemical, mining, pulp & paper, power and general industries.



| Part No. | Description |
|----------|-------------|
| 1        | Rotor       |
| 2        | O-Ring      |
| 2.1      | O-Ring      |
| 8        | Stator      |
| 9        | O-Ring      |