

Application Specific

AI-Logger



Features

- Compatible with Four RS-485 devices
- Customize Printing available
- Recording values : Process Value, Set Value
- Periodic recording of Alarm Status & Error Conditions
- Programmable Display Units for Each Channel
- 16 x 2 Characters LCD Display with back light
- Data Storage Capacity (Approx. 2.50Lakh Records)
- Continuous (Log) / Time slot (Batch) Recording
- Programmable Recording Interval
- Date / Time Stamped Records
- Excitation Voltage : 5V
- 2 Deviation Alarm Outputs
- Centronics Printer Connectivity (LX-300)
- Online Printing (Min. Interval 1 minute)
- Universal supply voltage (90 to 270 VAC)
- 24 VDC Available on Request

Display Specification

LCD	: 16x2 Character LCD (Blue-White)
LED Indication	: PC - PC Communication DEV - Device Communication MEM - Memory Status HLD - Hold Status AL1 - Alarm 1 Status AL2 - Alarm 2 Status

Output Specification

Alarm 1 (OP1)	: Relay
Alarm 2 (OP2)	: Relay
Relay	: 5A @ 250VAC / 30VDC

Recording

Recording Capacity	: Approx. 2.50Lakh Records
Recording Mode	: Batch mode, Log mode
Recording Interval (User Settable)	: Log Mode: Minimum - 1 min Batch Mode: Minimum - 10 sec

Auxiliary Supply Specification

Supply Voltage	: 90 - 270 VAC (24 VDC Available on Request)
----------------	---

Environmental Specification

Temperature	: Operating - 0 to 50°C
Storage	: -20° to 75°C
Humidity	: 95% RH (Non-condensing)

Device Interface

Serial Port Protocol	: RS-485, 2 Wire, Half Duplex
Baud Rate	: Modbus RTU : 9600, 19200, 31250, 38400, 76800
Parity	: Odd, Even, None
Maximum Devices	: 4
Device Type	: I-Therm, Taie, Fuji, Eurotherm, West

General Description

Model	AI-LOG
Weight (Gms)	400

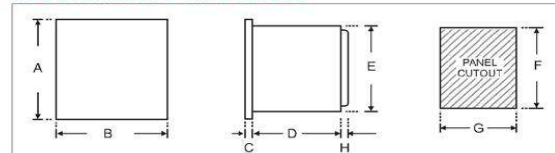
PC Interface

Serial Port Protocol	: RS-485, 2 Wire, Half Duplex
Baud Rate	: Modbus RTU : 9600, 19200, 31250, 38400, 76800
Parity	: Odd, Even, None

Certification

None

Mechanical Dimensions



Dim	A	B	C	D	E	F	G	H
Model AI-LOG	96	96	10	65	89	92	92	9



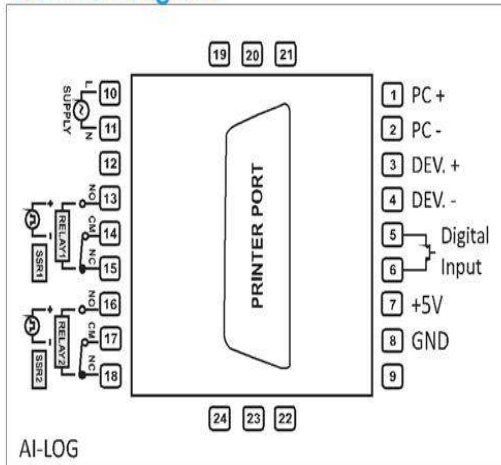
ELTEC CABLES & INSTRUMENTS

16, Bhaktinagar Station Plot, Rajkot-360 002. INDIA.
Tel. : +91 281 2480400 URL : www.thermocouplewire.co.in
E-mail : eltecinc@gmail.com | sales@thermocouplewire.co.in

Application Specific

AI-Logger

Terminal Diagram



Available Units

Option	Description	Option	Description	Option	Description
°C	Degree Centigrade	inH2O	inches water gauge	Sec	Seconds
°F	Degree Fahrenheit	mmHg	mm of mercury	min	Minutes
°K	Degree Kelvin	Torr	Torr	hrs	Hours
°EU	Engineering Units	l/hr	Litre per hour	PH	PH
%	Percentage	l/min	Litre per minute	%PH	%PH
Pa	Pascal	%RH	% Relative Humidity	miles/hr	Miles per hour
MPa	Mpascal	A	ampere	mg	milligram
kPa	Kpascal	mA	milliampere	g	Gram
bar	Bar	mV	millivolt	kg	kilogram
mbar	millibar	ohms	Ohms	%O2	%O2
psi	pound/square inch	ppm	Parts per million	%Co2	%Co2
kg/sq.cm	kg/sq.cm	rpm	Revolution per Minute	%CP	%Carbon Potential
mmH2O	mm water gauge	ms	millisecond	V	Volts



ELTEC CABLES & INSTRUMENTS

16, Bhaktinagar Station Plot, Rajkot-360 002. INDIA.
 Tel. : +91 281 2480400 URL : www.thermocouplewire.co.in
 E-mail : eltecinc@gmail.com | sales@thermocouplewire.co.in