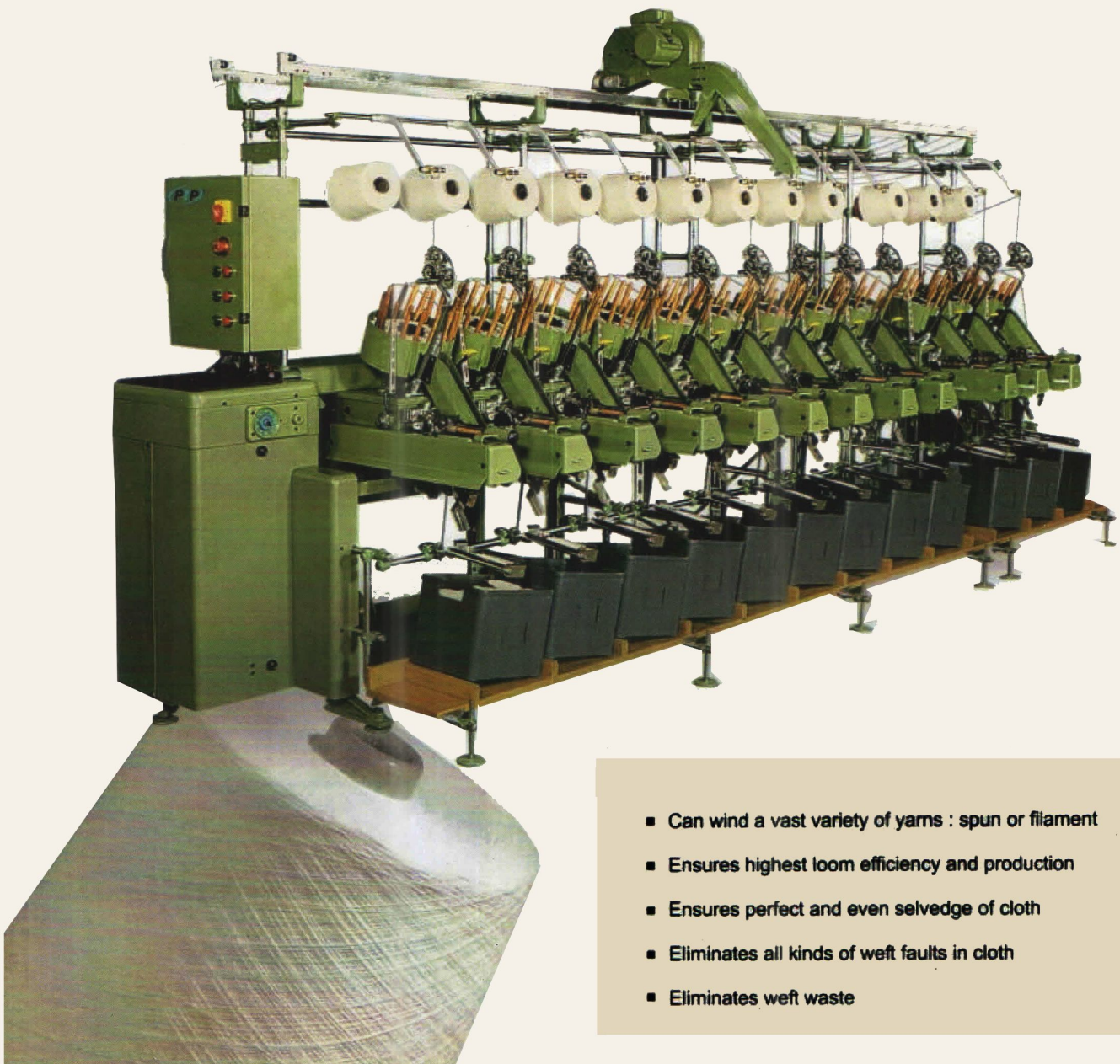




Automatic Prin Winder Machine

- Versatile
- Cloth Quality Enhanced
- Eliminates Waste
- Reduces Costs



- Can wind a vast variety of yarns : spun or filament
- Ensures highest loom efficiency and production
- Ensures perfect and even selvage of cloth
- Eliminates all kinds of weft faults in cloth
- Eliminates weft waste

AUTOMATIC PIRN WINDER MACHINE

■ With multicell pirn battery

- A very versatile design to handle a vast range of yarns
- Capable of high spindle speeds and productivity
- Machine of robust construction and designed for maximum safety of operation and exceedingly minimal manual attention.
- Low power consumption
- Small floor-space requirement, especially with double sided machines
- Number of spindle apparatuses per machine are standardised

Single sided machine : 6, 9 and 12

Double sided machine: 12, 18, 24, 36 & 48

Modular construction permits an existing machine to be extended at a later date, with additional spindle apparatuses to meet Loom shed expansions.

■ Superior features and advantages of our Pirn Winding apparatus:

MS/ MSK:

Except for a few easily exchangeable parts, there is no difference between the MS and MSK and the construction of the winding heads is basically identical.

MS is supplied with a special type of yarn guide and controlled yarn laying, which are the most ideal for winding **spun yarns with fibres** such as cotton, wool, linen and rayon/synthetic staples.

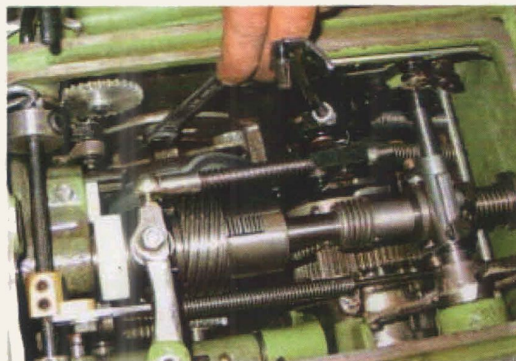
MSK is supplied with a special type of feed motion and a traverse length, which is best suited for **continuous filament yarns** like synthetic, rayon, silk etc.

These characteristics make our machine an attractive proposition for weavers who may have to deal with a variety of weft materials or changing programmes of weaving between spun yarns and filament yarns. Only a few parts are involved for such conversion.



■ Gearing

Solid construction. The gearings run in an oil bath ensuring an extraordinarily long life of the winding heads.



■ Multicell pirn-battery

Permits a considerable number of spindles to be attended to by one operator. The pirn batteries are easily accessible and can readily be filled to ensure non-stop production.

The pirn-battery can be utilised for most types of pirns of upto 220 mm length and with butt diameter upto 32mm.

Capacity of the multicell pirn batteries for different pirn head diameters are

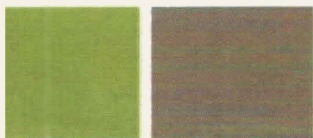
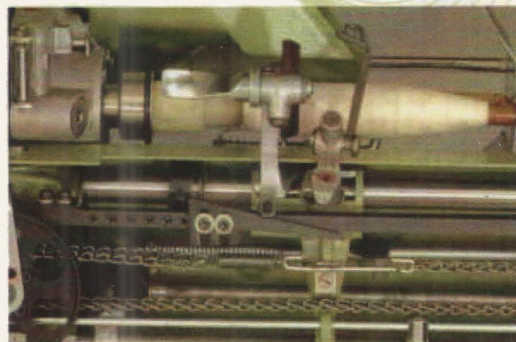
| | |
|-------------|------------|
| 17 to 20 mm | : 32 pirns |
| 21 to 32 mm | : 20 pirns |

■ Feeler arrangement

A feeler wheel running on ball bearings touches very lightly the surface of the rotating pirn and when the full diameter is reached the feeler wheel and yarn guide systems are advanced by means of mechanical transmission. There is no friction whatsoever between feeler wheel and pirn. Fluff and dust have no influence on perfect running.

■ Yarn guide

The yarn guide system with positive and oscillating motion guarantees precise and controlled yarn laying.



AUTOMATIC PIRN WINDER MACHINE

■ Length of traverse

Traverse length has to be correctly matched to the type of yarn and diameter of the pirn. The length of traverse is easily adjustable between 35 to 58 mm. A longer traverse is especially recommended in combination with a comparatively larger diameter of the full pirn and filaments.

■ Traverse length variation

The apparatuses permit not only the adjustment of the traverse length but also the traverse can even be varied in such a way that it increases during the winding process, progressively.

Traverse length and traverse variation can be individually and easily adapted, as also optimised to the shape of the pirn and the material to be wound. Normally, winding is started with a short traverse which is gradually increased in length towards the tip of the pirn.

■ Yarn layer locking system

The gearing mechanism has a layer locking device and additionally a traverse length variation arrangement which in irregular sequence varies the traverse from 0.75mm to 1mm at the base and upto 7mm at the tip of the pirn. This binds all yarn layers firmly to the pirn shank which is most suitable for continuous filaments and the like.

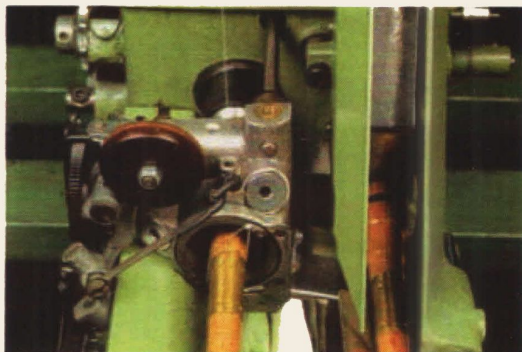
■ Versatile adaptability

- Adjustable Length of traverse
- Progressive Traverse variation
- Yarn layer locking system

Incorporated in the Pirn winding heads of the MS/ MSK are the unique features making the machine versatile to handle a variety of yarns, build compactly wound pirms of large diameters and at the same time ensure vital security without the danger of "Slugging off" of weft yarn during weaving that cause damages to cloth and faults.

■ Tensioning devices

Two-disc tensioning device with progressive brake pressure facilitates compact winding.



Covering of the tail end is an indispensable feature for a perfectly wound pirn.

This device is a standard equipment. The Rotor catches the thread at the beginning of the winding, severs it and puts the first layers on the pirn-base where they are subsequently covered by the yarn reserve winding.

The Rotor works without scissors and is exceedingly reliable and hardly requires any maintenance.

■ Time required for change of pirn

The time required for changing the pirn is only 2 seconds: the actual winding time and thus productivity is considerably increased.

■ Reserve winding

The bunch at the pirn base or the reserve wind can be adjusted from 0-20 metres, or even 31.5 metres if required. The width of this reserve wind can be adjusted upto 20 mm but not less than 14 mm.

■ Pirn driver

The pirms will be exactly centered. All types of usual, ordinary and automatic pirms can be used.

■ Diameter of the pirms

The fully wound diameter of the pirms is easily adjustable.

■ Safety clutch

This device prevents jamming or breaking of any pirn caused by incorrect pirn or faulty adjustment.

■ Fixing of the winding heads

Each winding head is fixed to the machine frame by means of three screws. Individual winding heads can be taken off the frame without influencing the neighboring winding apparatus.

■ Pirn depositing devices

Fully wound pirms are deposited into boxes below each spindles, which can be readily carried to the loom and placed on a stand beside the battery for filling.

■ Travelling blower:

The machine is fitted with an axial travelling blower for blowing off dust and fluff from the unwinding feed package and pirn winding heads.

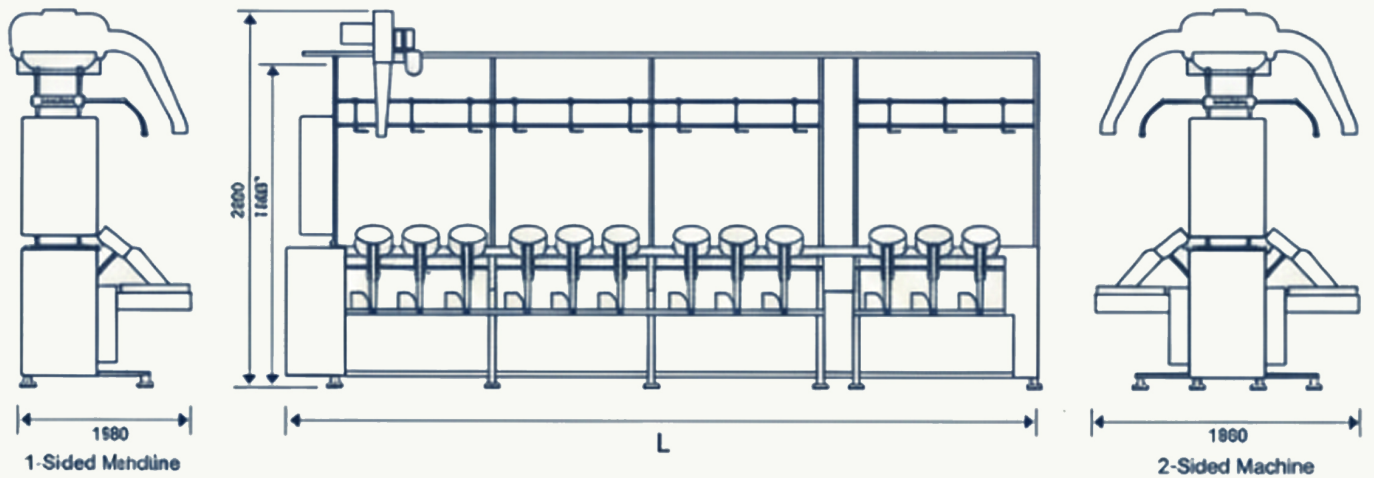
■ Spindle speeds:

The MS winding apparatus of reinforced execution allow spindle speeds upto 12000 rpm depending on material, or 11000 rpm on the MSK type. Owing to the variety of weft yarns now being used, pirn winding speeds have to be adopted to the material for optimum quality and production. Hence, every machine has an infinitely variable drive with the following speed ranges:

6000 - 12000 rpm spindle speed : MS

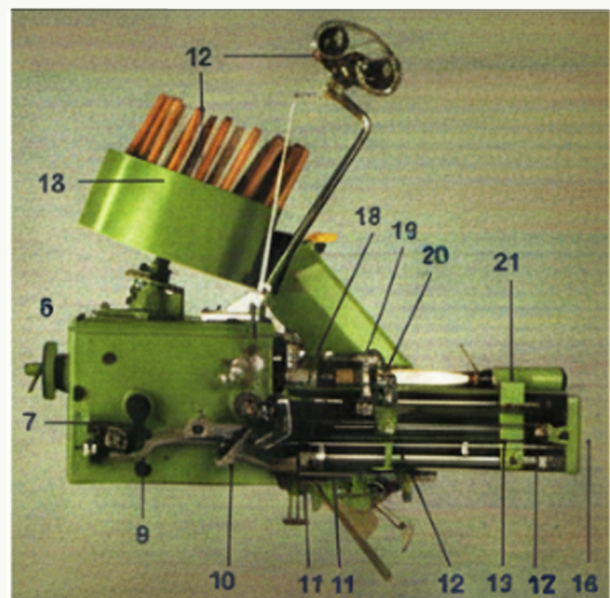
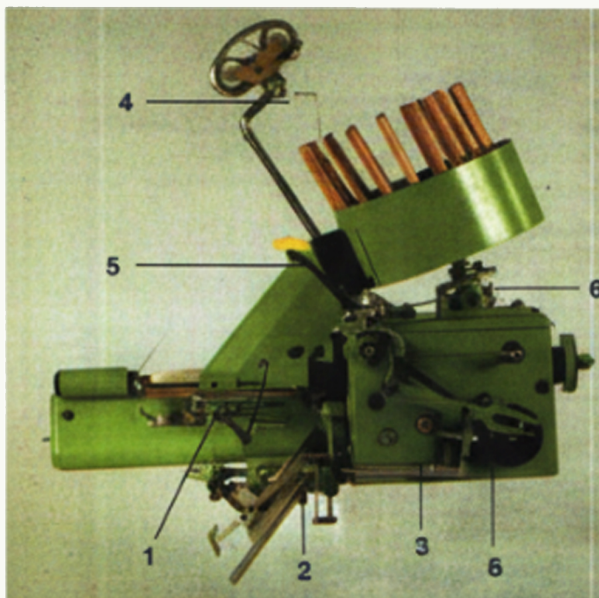
5000 - 10000 rpm spindle speed : MSK

AUTOMATIC PIRNWINDER MACHINE - MAGAZINE TYPE LAYOUT



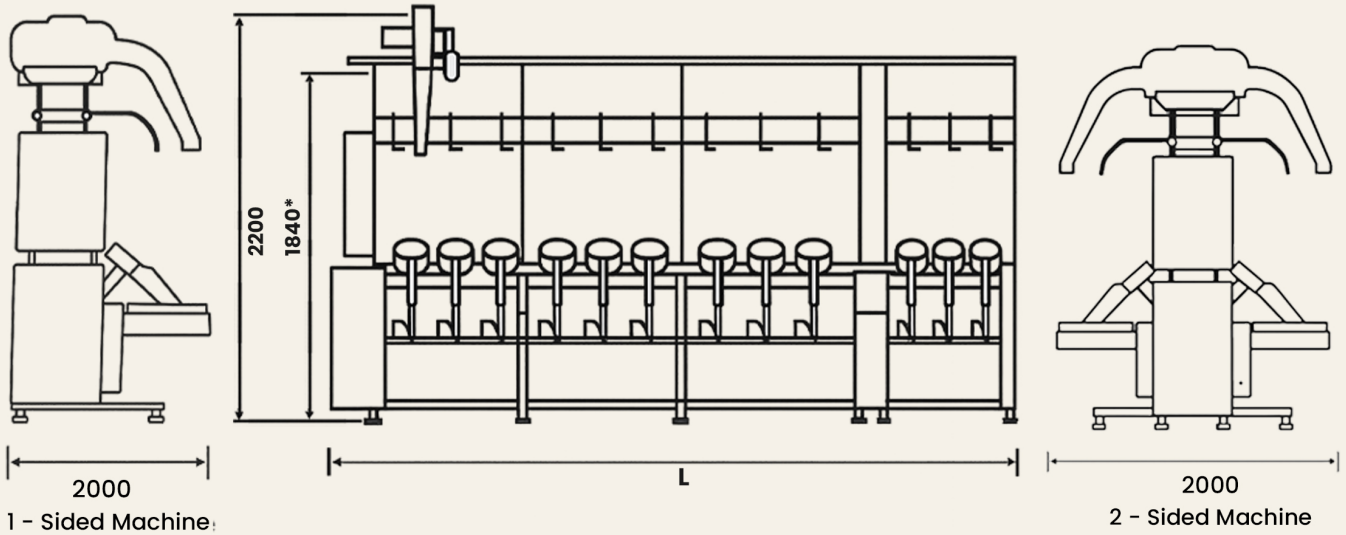
*Wireless travelling trolley

| | 1-Sided Machine | | | 2-Sided Machine | | | | |
|---|-----------------|-------|-------|-----------------|-------|-------|-------|-------|
| Number of Spindles | 6 | 9 | 12 | 12 | 13 | 24 | 36 | 48 |
| Total Length of machine "L" (mm) | 1500 | 3900 | 4200 | 2500 | 3800 | 4900 | 6450 | 8150 |
| Width of machine (mm) | 1150 | 1150 | 1150 | 1800 | 1800 | 1800 | 1800 | 1800 |
| Power requirement of Spindle drive (KW) | 1 x 3 | 1 x 3 | 1 X 3 | 1 x 3 | 1 x 3 | 2 x 3 | 2 x 3 | 3 x 3 |



- | | | | |
|--|----------------------------------|---------------------------------|----------------------------|
| 1. Pirn Trog | 6. Raichet wheel of Pirn battery | 11. Spindle | 16. Multicell pirn battery |
| 2. Pirn chute | 7. Friction drive | 12. Gauge for build-up | 17. Feeler advance |
| 3. Cam Shaft | 8. Yarn reserve set knob | 13. Traverse Shaft | 18. Rotor |
| 4. Stopwire functioning at a break in the yarn | 9. Advance of yarn guide | 14. Reinforcement rod | 19. Feeler wheel |
| 5. Starting lever | 10. Adjustable diameter of Pirn | 15. Hook for manual pirn change | 20. Yam guide |
| | | | 21. Tail spindle housing |

AUTOMATIC PIRNWINDER MACHINE - ELEVATOR TYPE LAYOUT



* Without travelling blower

| | 1-Sided Machine | | | 2-Sided Machine | | | | |
|------------------------------------|-----------------|------|------|-----------------|------|------|------|-------|
| Number of Spindles | 6 | 9 | 12 | 12 | 18 | 24 | 36 | 48 |
| Total Length of machine "L" (mm) | 4100 | 5800 | 6700 | 5000 | 5800 | 6700 | 8850 | 10650 |
| Width of machine (mm) | 2000 | 2000 | 2000 | 2000 | 2000 | 2000 | 2000 | 2000 |
| Power requirement of Spindles (KW) | 1X3 | 1X3 | 1X3 | 1X3 | 1X3 | 2X3 | 2X3 | 3X3 |

TEXPARTS

(Automatic Pirn Winder Machine Mfrs, Spares & Service)

No:7/44-4, Ayyappa Nagar, Pappanaickenpalayam Road,
Kanuval, Coimbatore-641108. Email: texpartss@gmail.com

Phone +91 73976 97699

