

Onics DCR series resistor are capable of with standing high pulse loads, at the same time they get cooled faster compared to conventional resistors and are best suitable for dynamic braking. These resistors are available in five different power ratings.

DCRE resistors are also available with standard enclosure upto 4500W, where multiple resistor are connected in series or paralalled.

Construction

DCR series resistor are manufactured by winding resistance wire coil of different resistive material on ceramic part supported by metal strip, ends of resistance wire are screwed firmly to end clamps

These resistor are available individually or assembled in enclosure. Enclosures are yellow or white zinc plated.

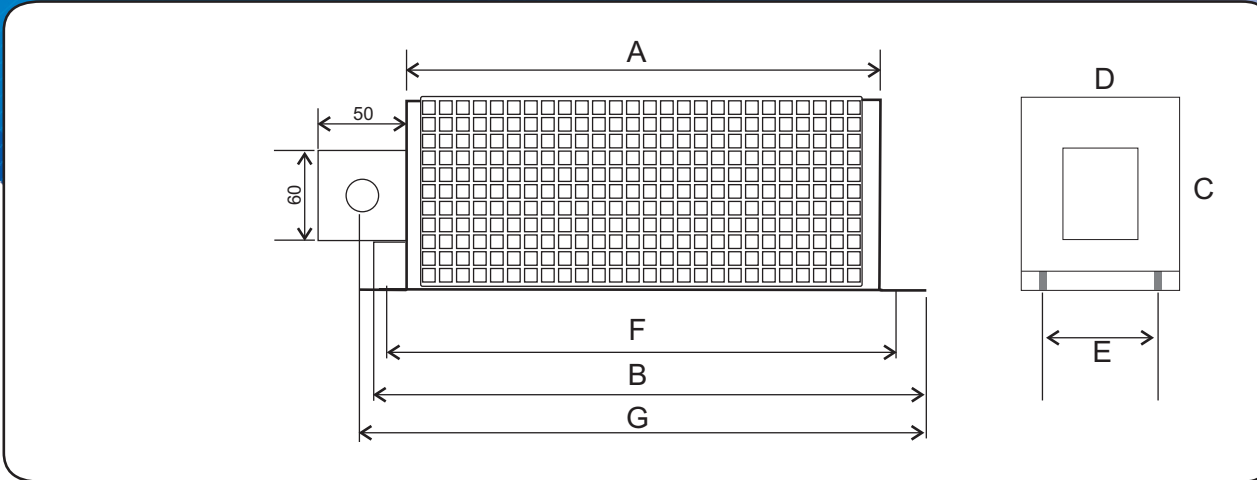
Features

- Low Cost
- High Over Load capacity
- Compact Design
- Protection IP 20
- Low Inductivity

Technical Details:

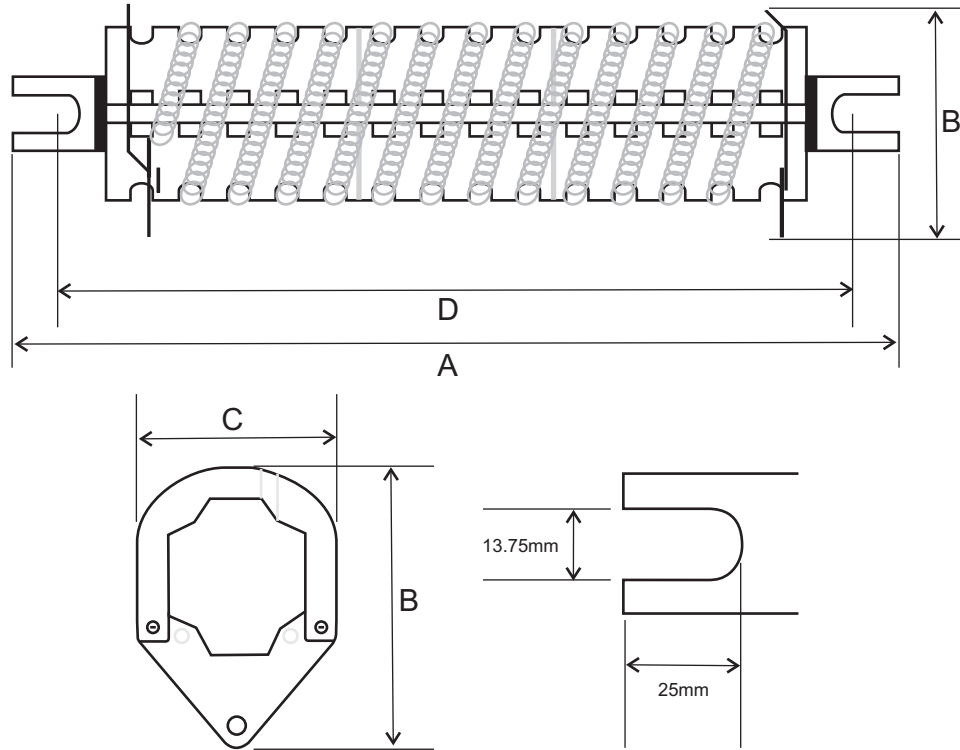
Power:

DCR Series	: 500W	-	1500 w
DCRE Series	: 500 W	-	4500 w
Resistance Value	: ± 10 %		
Dielectric	: 2500 VAC		
Insulation	: > 20 Mega Ohm		
Operating Temperature	: 375°C		



DCR DIMENSION DETAILS

POWER	A	B	C	D	E	F	G	Approx. Weight (kg)
500W	50	300	135	115	90	275	320	2.15
750W	325	375	135	115	90	350	395	2.80
1000W	400	450	135	115	90	425	470	3.30
1250W	470	525	135	115	90	500	545	3.90
1500W	545	600	135	115	90	575	620	4.35
2000W	400	450	135	185	160	425	470	5.65
2500W	470	525	135	185	160	500	545	6.50
3000W	545	600	135	185	160	575	620	7.35
3750W	470	525	135	270	245	500	545	9.00
4500W	545	600	135	270	245	575	620	10.40
6000W	545	600	135	375	245	575	620	
8000W	545	600	135	450	245	575	620	



Type/Watt	A (mm)	B (mm)	C (mm)	D (mm)	Approx. Weight (g)
DCR500W	225	90	65	195	875
DCR750W	300	90	65	270	1200
DCR1000W	370	90	65	340	1600
DCR1250W	445	90	65	415	1900
DCR1500W	520	90	65	490	2250