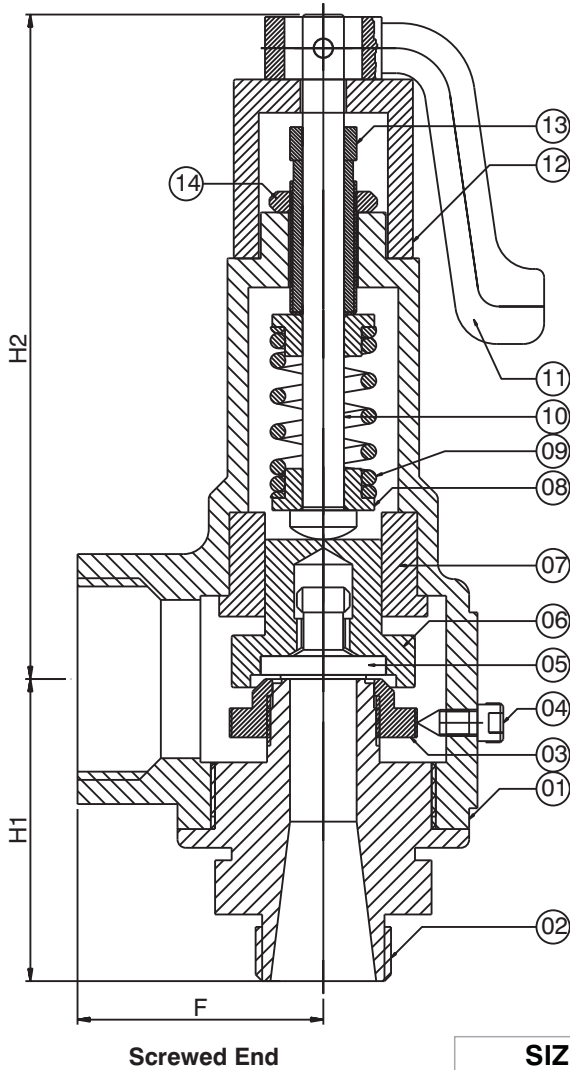


STANDARDS

- END CONNECTIONS : BSPT / NPT
- SET PRESSURE : 1 KG/CM2 TO 35 KG/CM2
- TEMPERATURE : 425°C
- TESTING STANDARD : API 527



Safety Valve



Sr.	Parts Name	Material Specification
1	Body	ASTM A 216 GR WCB/ A 352 LCB / A 217 WC6/ A 351 CF8/ A351 CF8M/ A 351 CF3/ A 351 CF3M/ Gun Metal
2	Nozzle	
3	Popping Ring	ASTM A 351 A CF8/CF8M
4	Locking Screw	AISI 410/304/316
5	Disc	ASTM A 351 A CF8/CF8M
6	Disc Holder	AISI 410/304/316
7	Sleeve	AISI 410/304/316
8	Spring Button	AISI 410/304/316
9	Spring	Spring Steel
10	Stem	AISI 410/304/316
11	Handle	Aluminum
12	Cap	ASTM A 210 Gr. 220
13	Tension Screw	AISI 410/304/316
14	Lock Nut	AISI 410/304/316

SIZE	Ø1" X Ø2"	Ø1.5"XØ2.5"	Ø2"XØ3"
F	44	59	71
H1	66	72.5	93
H2	129	159.5	249

Note:-

Soft Seated Safety Relief Valves Are Used For Low Temperature And Critical Application
Standard Material Specifications Can Be Changed According To Service Condition

SAHAJANAND
VALVES PVT LTD



SWASTIK

FLUSH-BOTTOM VALVE

CONTROL VALVE

PRESSURE REDUCING VALVE

SAFETY VALVE

GAS GOVERNOR VALVE

SYMBOLS, DIAMETERS, CONVERSION

MENU

