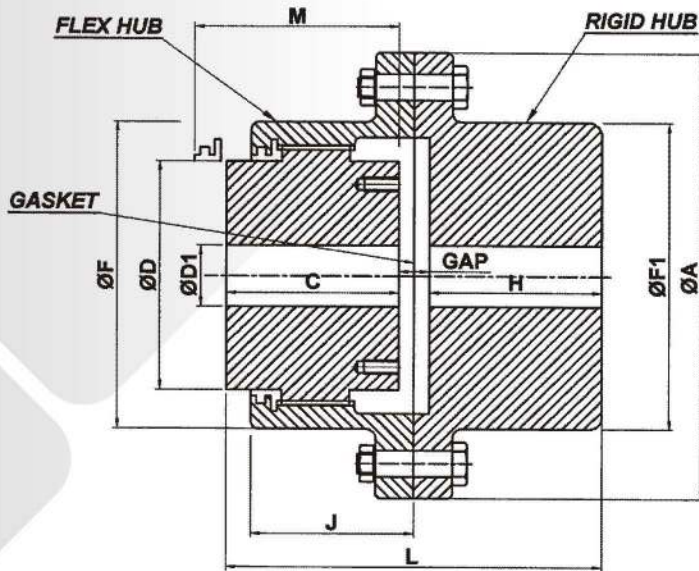


**AGMA
STANDARD
SINGLE
ENGAGEMENT**



Coupling Size	Coupling Rating		Max. Speed rpm	Min. Bore		Max. Bore		Dimensions (mm)								Solid Hub		
	kW at 100 rpm	Rated Torque Nm		Flex Hub	Rigid Hub	Flex Hub	Rigid Hub	ØA	L	C	ØD	ØF	ØF1	J	M	GAP	Mass Kg	MI WR ² KGM ²
KGS-10	14	1337	8000	14	18	52	60	116	87	43	69	84	84	39	51	4	4.5	0.0055
KGS-15	30	2865	6500	22	26	65	80	152	101	50	86	105	107	48	61	4	9.5	0.0204
KGS-20	53	5061	5600	27	30	80	90	178	122	62	105	127	130	60	76	4	15.5	0.0436
KGS-25	105	10027	5000	32	37	98	110	213	156	77	131	155	157	72	92	5	27.5	0.111
KGS-30	168	16043	4400	42	44	115	130	240	184	91	152	181	182	84	106	5	41.5	0.210
KGS-35	231	22059	3900	47	52	135	150	279	215	107	178	211	212	98	130	6	67	0.477
KGS-40	336	32086	3600	47	52	160	180	318	245	121	210	246	250	111	145	8	100	0.92
KGS-45	472	45073	3200	52	57	180	200	346	274	135	235	274	276	123	165	8	135	1.468
KGS-50	650	62070	2900	72	77	195	220	389	310	153	254	306	309	141	183	9	195	2.73
KGS-55	880	84034	2650	72	77	215	240	425	350	168	279	334	334	158	203	9	261	4.20
KGS-60	1205	115069	2450	77	82	235	260	457	384	188	305	366	366	169	228	9.5	316	5.70
KGS-70	1823	174084	2150	92	102	280	300	527	452	221	356	425	425	196	266	11	500	12.05

For higher sizes please contact us. All Dimensions are in mm unless otherwise specified
 In view of our constant Endeavour to improve quality of our products, we reserve the right to alter or change specifications without prior notice.