

TESTED TO
500000
CYCLES



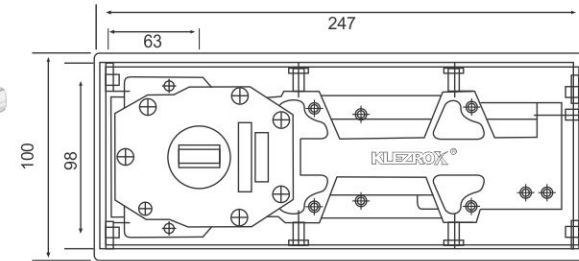
KFS-6400
Single Spring Floor Hinge
₹ 3000.00



KFS-ACC-TP/BP
Top Pivot/Bottom Pivot
for Wooden/Aluminium Doors
₹ 400.00

Specification

- General design, suitable for left or right hand to open the door in single and both sides.
- Used low temp. hydraulic oil for any climate operation and constant lubrication.
- Suitable for aluminium and wooden doors.
- Suitable for door weight upto 55kgs.
- Closing force 15nm.
- Suitable for maximum wide door leaf (900x2100mm).
- Opening angle 90° / 115°



TESTED TO
1000000
CYCLES

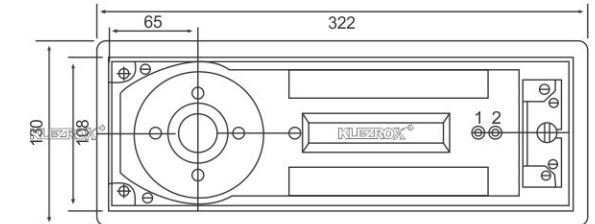


KFS-8400S
Double Super Spring Floor Hinge
₹ 7200.00



Specification

- General design, suitable for left or right hand to open the door in single and both sides.
- Used low temp. hydraulic oil for any climate operation and constant lubrication.
- Suitable for wooden and toughened glass doors.
- Suitable for door weight from 120-150kgs.
- Closing force 25nm.
- Suitable for maximum wide door leaf (1300x2300mm).
- Opening angle 90° / 115°



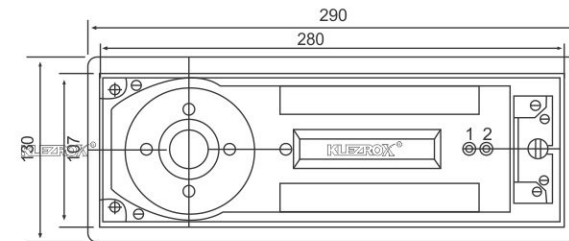
TESTED TO
500000
CYCLES



KFS-7400
Single Spring Floor Hinge
₹ 4000.00

Specification

- General design, suitable for left or right hand to open the door in single and both sides.
- Used low temp. hydraulic oil for any climate operation and constant lubrication.
- Suitable for wooden and toughened glass doors.
- Suitable for door weight from 70-90kgs.
- Closing force 19nm.
- Suitable for maximum wide door leaf (1000x2300mm).
- Opening angle 90° / 115°



TESTED TO
500000
CYCLES

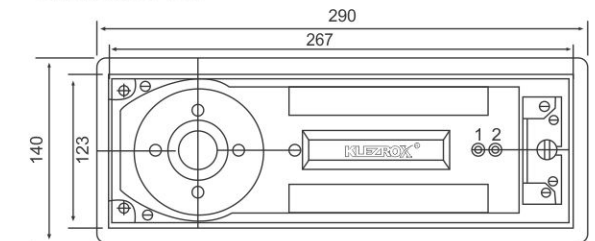


KFS-10400
Double Super Spring Floor Hinge
₹ 16500.00



Specification

- General design, suitable for left or right hand to open the door in single and both sides.
- Used low temp. hydraulic oil for any climate operation and constant lubrication.
- Suitable for wooden and toughened glass doors.
- Suitable for door weight from 150-250kgs.
- Closing force 35nm.
- Suitable for maximum wide door leaf (1500x3000mm).
- Opening angle 90° / 115°



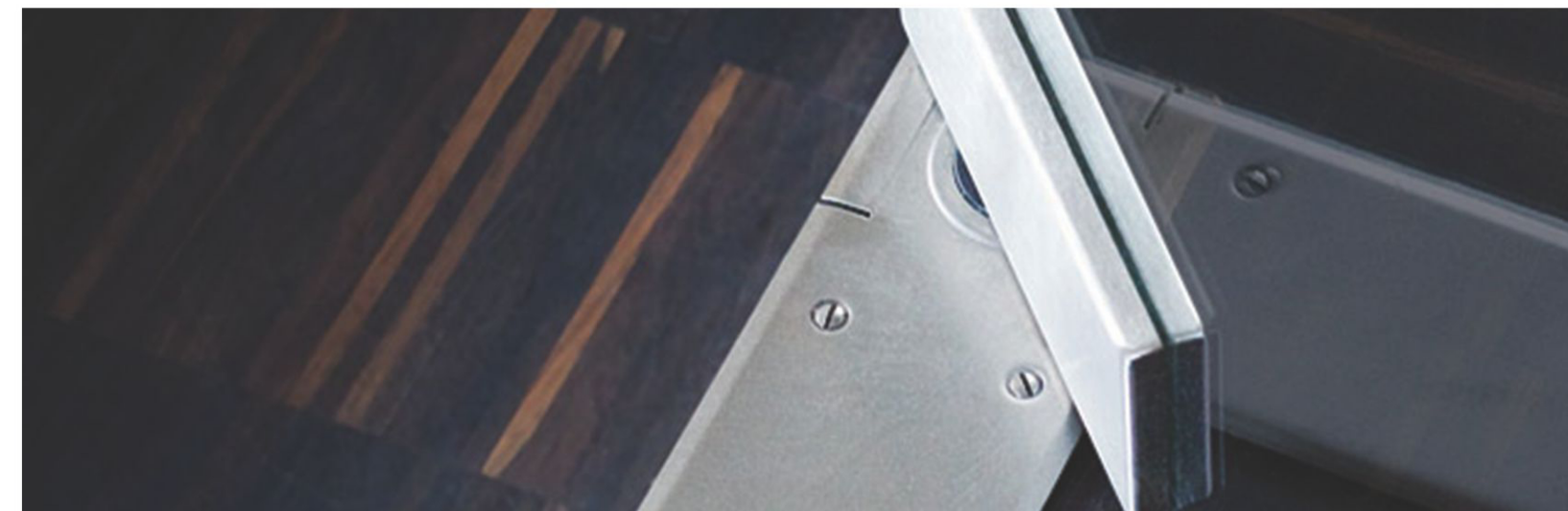
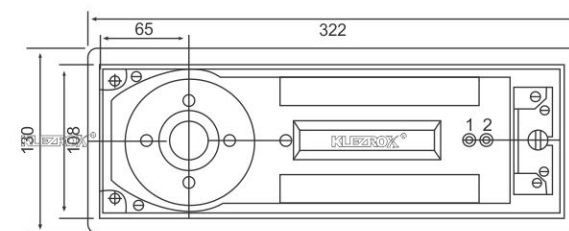
TESTED TO
500000
CYCLES



KFS-8400
Double Spring Floor Hinge
₹ 5200.00

Specification

- General design, suitable for left or right hand to open the door in single and both sides.
- Used low temp. hydraulic oil for any climate operation and constant lubrication.
- Suitable for wooden and toughened glass doors.
- Suitable for door weight from 120-150kgs.
- Closing force 25nm.
- Suitable for maximum wide door leaf (1300x2200mm).
- Opening angle 90° / 115°



TESTED TO
500000
CYCLES



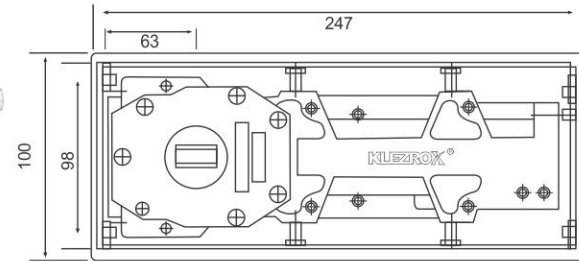
KFS-6400
Single Spring Floor Hinge
₹ 3000.00



KFS-ACC-TP/BP
Top Pivot/Bottom Pivot
for Wooden/Aluminium Doors
₹ 400.00

Specification

- General design, suitable for left or right hand to open the door in single and both sides.
- Used low temp. hydraulic oil for any climate operation and constant lubrication.
- Suitable for aluminium and wooden doors.
- Suitable for door weight upto 55kgs.
- Closing force 15nm.
- Suitable for maximum wide door leaf (900x2100mm).
- Opening angle 90° / 115°



TESTED TO
1000000
CYCLES

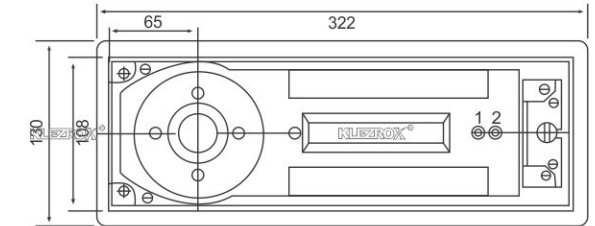


KFS-8400S
Double Super Spring Floor Hinge
₹ 7200.00



Specification

- General design, suitable for left or right hand to open the door in single and both sides.
- Used low temp. hydraulic oil for any climate operation and constant lubrication.
- Suitable for wooden and toughened glass doors.
- Suitable for door weight from 120-150kgs.
- Closing force 25nm.
- Suitable for maximum wide door leaf (1300x2300mm).
- Opening angle 90° / 115°



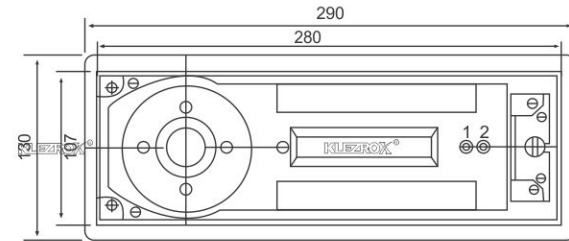
TESTED TO
500000
CYCLES



KFS-7400
Single Spring Floor Hinge
₹ 4000.00

Specification

- General design, suitable for left or right hand to open the door in single and both sides.
- Used low temp. hydraulic oil for any climate operation and constant lubrication.
- Suitable for wooden and toughened glass doors.
- Suitable for door weight from 70-90kgs.
- Closing force 19nm.
- Suitable for maximum wide door leaf (1000x2300mm).
- Opening angle 90° / 115°



TESTED TO
500000
CYCLES

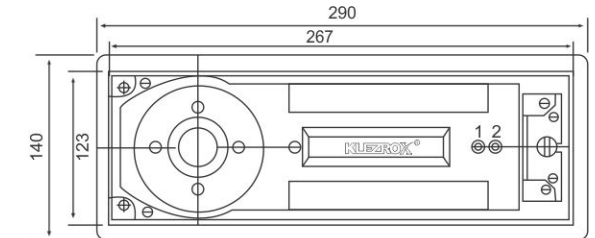


KFS-10400
Double Super Spring Floor Hinge
₹ 16500.00



Specification

- General design, suitable for left or right hand to open the door in single and both sides.
- Used low temp. hydraulic oil for any climate operation and constant lubrication.
- Suitable for wooden and toughened glass doors.
- Suitable for door weight from 150-250kgs.
- Closing force 35nm.
- Suitable for maximum wide door leaf (1500x3000mm).
- Opening angle 90° / 115°



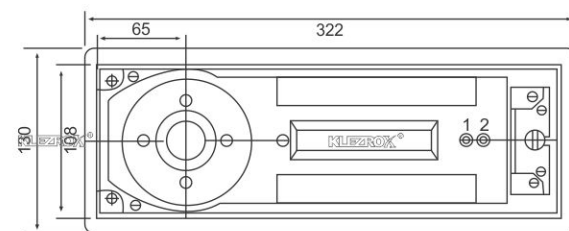
TESTED TO
500000
CYCLES



KFS-8400
Double Spring Floor Hinge
₹ 5200.00

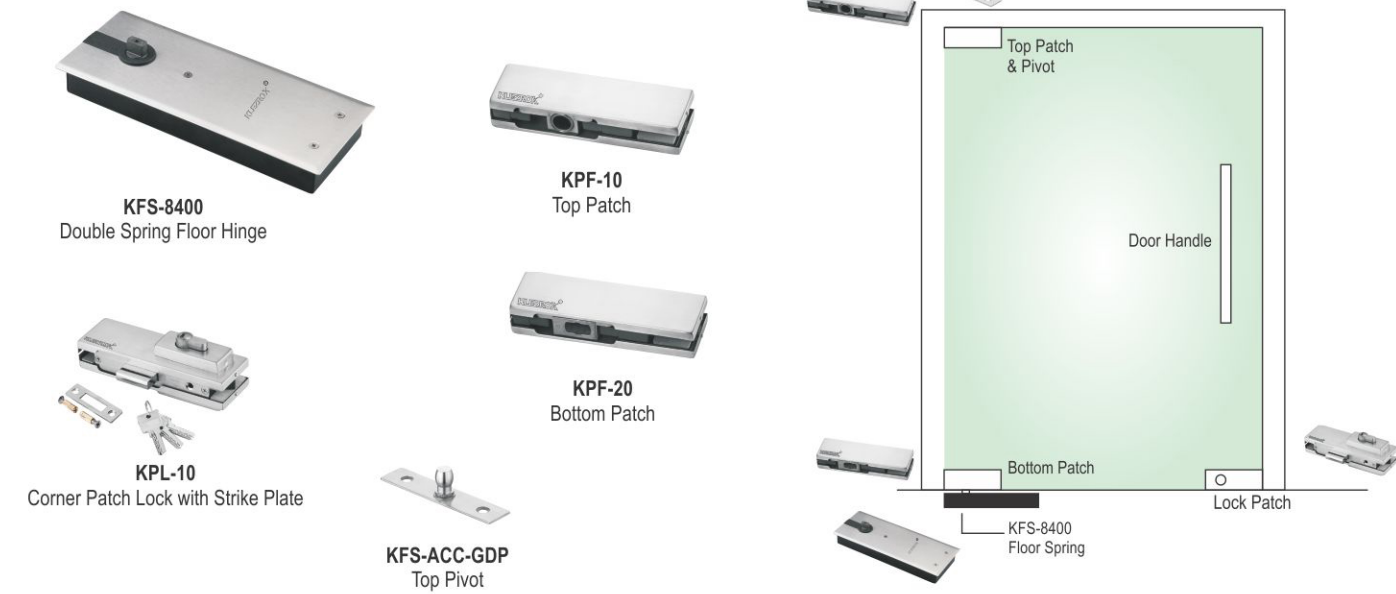
Specification

- General design, suitable for left or right hand to open the door in single and both sides.
- Used low temp. hydraulic oil for any climate operation and constant lubrication.
- Suitable for wooden and toughened glass doors.
- Suitable for door weight from 120-150kgs.
- Closing force 25nm.
- Suitable for maximum wide door leaf (1300x2200mm).
- Opening angle 90° / 115°



• Satin stainless steel finish • SS 304 cover plates

Combo Patch Set (KCPS-8400) 5 Pcs. ₹-10000.00



KDC-51
Door Closer (Eco)
Door Weight Capacity : 40-45 kg
₹ 1250.00

- Specification**
- Applicable door width : 500-1000mm
 - Applicable door weight **upto 40-45kg**
 - Adjustable section of closing speed 180°-20°
 - Adjustable section of latching speed 20°-0°
 - The door closer is suitable for installing in various doors, such as wooden door, metal door, etc
 - The door closer can be chosen to stop or unstop at will
 - Continuous adjustment of closing and latching speed: the fast speed can be adjusted to within 3 seconds from 90 degree, slowness close can reach to 60 seconds or more



KDC-61
Door Closer (Classic)
Door Weight Capacity : 60-65 kg
₹ 1400.00

- Specification**
- Applicable door width : 600-1200mm
 - Applicable door weight **upto 60-65kg**
 - Adjustable section of closing speed 180°-20°
 - Adjustable section of latching speed 20°-0°
 - The door closer is suitable for installing in various doors, such as wooden door, metal door, etc
 - The door closer can be chosen to stop or unstop at will
 - Continuous adjustment of closing and latching speed: the fast speed can be adjusted to within 3 seconds from 90 degree, slowness close can reach to 60 seconds or more

Hydraulic Patch Fittings

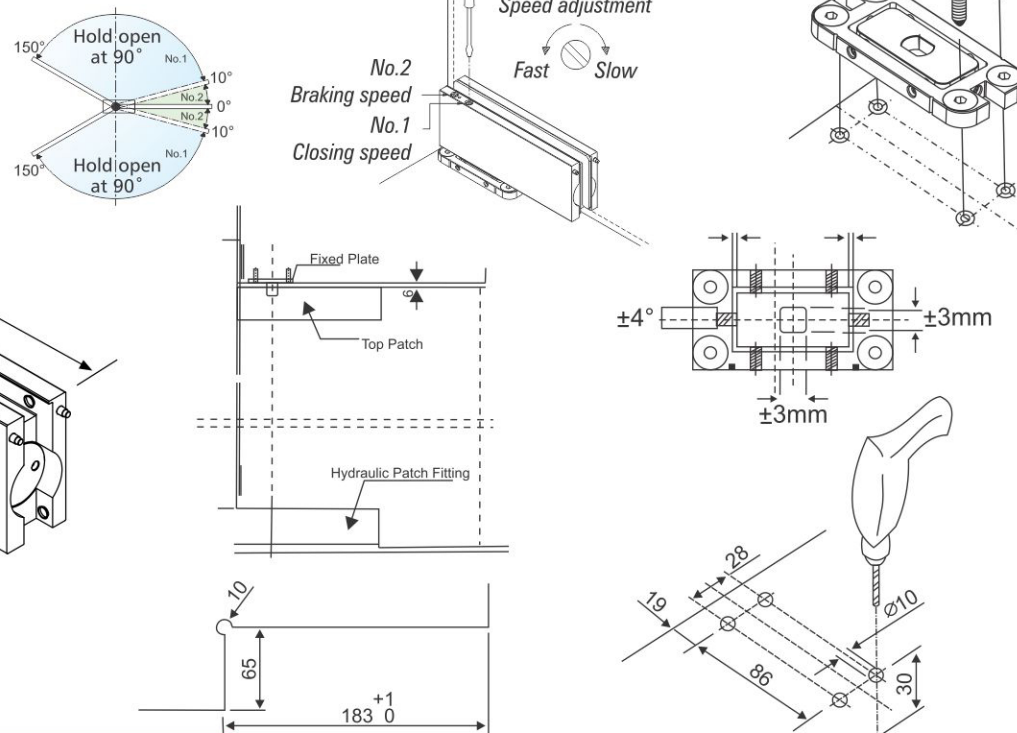


KHFS-100
Hydraulic Floor Hinge
₹ 8000.00

Maximum open degree Left side 150° Right side 150°
90° Hold-Open Function
Closing Speed 150°-10°
Buffering Speed 10°-0°
Adjustment can be individually
Hold open at 90°

Available Finish
Satin Stainless Steel
Polish Stainless Steel

- Technical Details**
- About 5 Lakh cycles tested
 - Maximum door width 1000mm
 - Maximum door weight 90kgs
 - Dimension : 183x30x65mm
 - Ambient temperature 20°C~+50°C
 - Quick and easy installation
 - The design no need drill/hole on the floor, making installation easier.
 - Opening Lightly, Close Smoothly!



KDC-71
Door Closer (Sleek)
Door Weight Capacity : 40-65 kg
₹ 1400.00

- Specification**
- Applicable door width : 800-1100mm
 - Applicable door weight **upto 40-65kg**
 - Adjustable section of closing speed 180°-20°
 - Adjustable section of latching speed 20°-0°
 - The door closer is suitable for installing in various doors, such as wooden door, metal door, etc
 - The door closer can be chosen to stop or unstop at will
 - Continuous adjustment of closing and latching speed: the fast speed can be adjusted to within 3 seconds from 90 degree, slowness close can reach to 60 seconds or more



KDC-81
Door Closer (Pelmet)
Door Weight Capacity : 35-65 kg
₹ 1400.00

- Specification**
- Applicable door width : 500-1200mm
 - Applicable door weight **upto 30-65kg**
 - With pelmet arm for hold open function
 - Separate stainless steel plate for attractive look
 - Adjustable section of closing speed 180°-20°
 - Adjustable section of latching speed 20°-0°
 - The door closer is suitable for installing in various doors, such as wooden door, metal door, etc
 - The installation modes of vertical, parallel and slide-rail type all can be chosen at will
 - Continuous adjustment of closing and latching speed: the fast speed can be adjusted to within 3 seconds from 90 degree, slowness close can reach to 60 seconds or more



KDC-91
Door Closer (Concealed)
Door Weight Capacity : 30-65 kg
₹ 4200.00

- Specification**
- Applicable door width : 500-1200mm
 - Applicable door weight **upto 30-65kg**
 - With pelmet arm for hold open function
 - Fit into inside wooden, metal doors.
 - Adjustable section of closing speed 180°-20°
 - Adjustable section of latching speed 20°-0°
 - The door closer is suitable for installing in various doors, such as wooden door, metal door, etc
 - The installation modes of vertical, parallel and slide-rail type all can be chosen at will
 - Continuous adjustment of closing and latching speed: the fast speed can be adjusted to within 3 seconds from 90 degree, slowness close can reach to 60 seconds or more

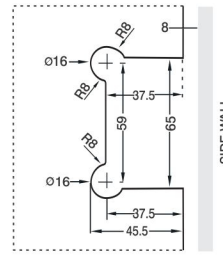
Premium Series (Brass)

NEW

KSH-666
Double Glass "T" Hinge
(SS 304)
₹ 6000.00



KSH-1 H/P
Wall to Glass 90° Off Set Hinge
Material : Forged Brass
Door Thickness : 8mm-12mm
Weight Cap. : 45kg
Finish : Matt & Chrome Plated
₹ 2100.00



Premium ED Series (SS)

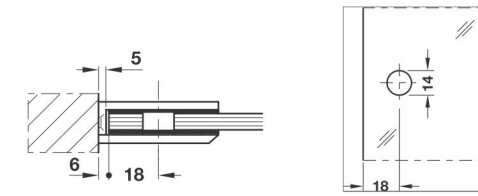
(SS 304)



KSH-111 H/P
Wall to Glass 90° Off Set Hinge
Material : SS
Door Thickness : 8mm-12mm
Weight Cap. : 45kg
Finish : Matt & Chrome Plated
₹ 1800.00



KGC-1
U Connector
Material - Stainless Steel 304
Door Thickness - 8mm-12mm
Finish - Matt & Chrome Plated
Product Thickness - 4mm
₹ 270.00



Round

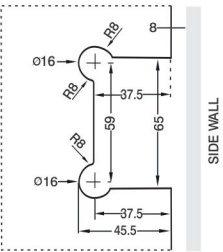
NEW



KGC-11
U Connector
3mm-₹ 300.00



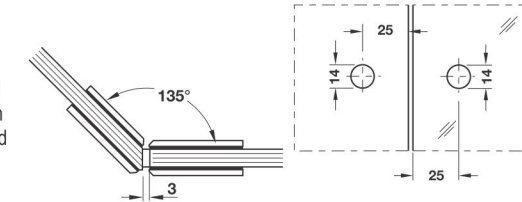
KSH-1
Wall to Glass 90° Hinge
Material : Forged Brass
Door Thickness : 8mm-12mm
Weight Cap. : 45kg
Finish : Matt & Chrome Plated
₹ 2100.00



KSH-111
Wall to Glass 90° Hinge
Material : SS
Door Thickness : 8mm-12mm
Weight Cap. : 45kg
Finish : Matt & Chrome Plated
₹ 1800.00



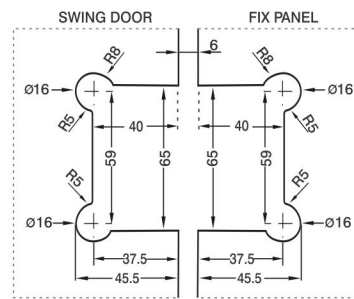
KGC-2
Glass to Glass 135°
Material - Stainless Steel 304
Door Thickness - 8mm-12mm
Finish - Matt & Chrome Plated
Product Thickness - 4mm
₹ 440.00



KGC-22
Glass to Glass 135°
3mm-₹ 500.00



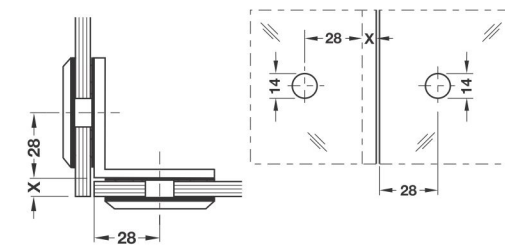
KSH-2
Glass to Glass 180° Hinge
Material : Forged Brass
Door Thickness : 8mm-12mm
Weight Cap. : 45kg
Finish : Matt & Chrome Plated
₹ 3400.00



KSH-222
Glass to Glass 180° Hinge
Material : SS
Door Thickness : 8mm-12mm
Weight Cap. : 45kg
Finish : Matt & Chrome Plated
₹ 3000.00



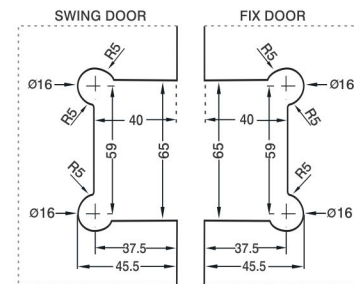
KGC-3
Glass to Glass 90°
Material - Stainless Steel 304
Door Thickness - 8mm-12mm
Finish - Matt & Chrome Plated
Product Thickness - 4mm
₹ 440.00



KGC-33
Glass to Glass 90°
3mm-₹ 500.00



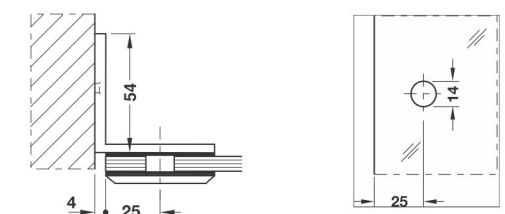
KSH-3
Glass to Glass 135° Hinge
Material : Forged Brass
Door Thickness : 8mm-12mm
Weight Cap. : 45kg
Finish : Matt & Chrome Plated
₹ 3400.00



KSH-333
Glass to Glass 135° Hinge
Material : SS
Door Thickness : 8mm-12mm
Weight Cap. : 45kg
Finish : Matt & Chrome Plated
₹ 3000.00



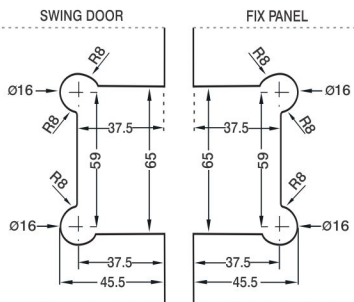
KGC-4
L Connector
Material - Stainless Steel 304
Door Thickness - 8mm-12mm
Finish - Matt & Chrome Plated
Product Thickness - 4mm
₹ 330.00



KGC-44
L Connector
3mm-₹ 350.00



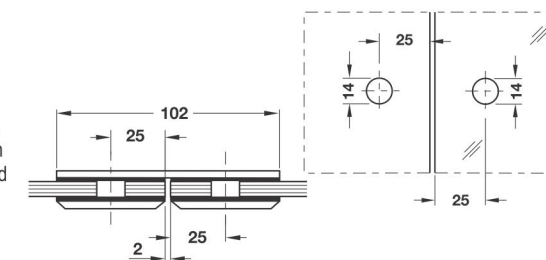
KSH-4
Glass to Glass 90° Hinge
Material : Forged Brass
Door Thickness : 8mm-12mm
Weight Cap. : 45kg
Finish : Matt & Chrome Plated
₹ 3600.00



KSH-444
Glass to Glass 90° Hinge
Material : SS
Door Thickness : 8mm-12mm
Weight Cap. : 45kg
Finish : Matt & Chrome Plated
₹ 3200.00



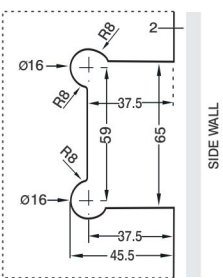
KGC-5
Glass to Glass 180°
Material - Stainless Steel 304
Door Thickness - 8mm-12mm
Finish - Matt & Chrome Plated
Product Thickness - 4mm
₹ 440.00



KGC-55
Glass to Glass 180°
3mm-₹ 500.00



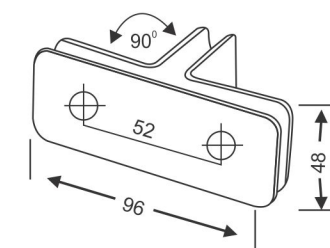
KSH-5
Wall to Glass 90° Fix Bracket
Material : Forged Brass
Door Thickness : 8mm-12mm
Weight Cap. : 45kg
Finish : Matt & Chrome Plated
₹ 1800.00



KSH-555
Wall to Glass 90° Fix Bracket
Material : SS
Door Thickness : 8mm-12mm
Weight Cap. : 45kg
Finish : Matt & Chrome Plated
₹ 1500.00

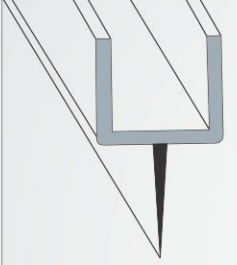


KGC-6
T-Connector Glass to Glass 90°
Material - Stainless Steel 304
Door Thickness - 8mm-12mm
Finish - Matt & Chrome Plated
Product Thickness - 4mm
Suitable for holding 3 glasses together
₹ 600.00

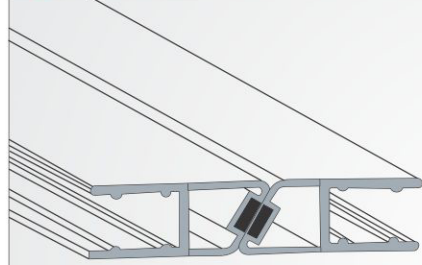


KGC-7
Double Connector
₹ 750.00

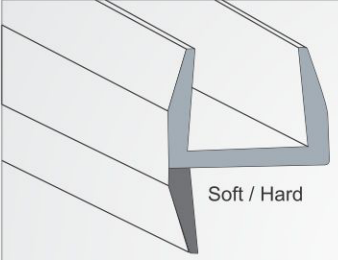
Magnetic Profiles



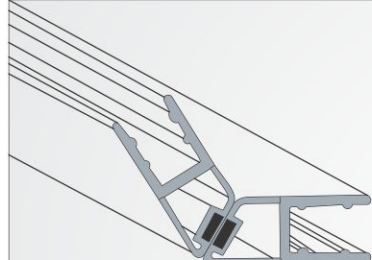
KPS-2 Centre Seal
 8mm (2.2mtr.) ₹ 200.00
 10mm (2.2mtr.) ₹ 200.00
 12mm (2.2mtr.) ₹ 250.00



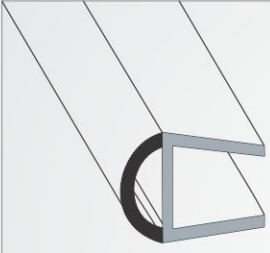
KPS-M1 180°
 8mm (2.2mtr.) ₹ 800.00
 10mm (2.2mtr.) ₹ 800.00
 12mm (2.2mtr.) ₹ 1000.00
 10mm (2.5mtr.) ₹ 1100.00
 12mm (2.5mtr.) ₹ 1350.00



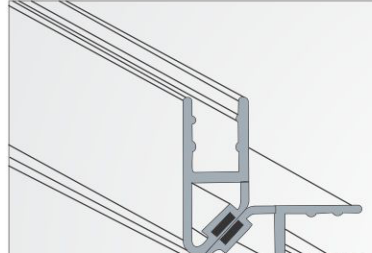
KPS-3 Side Seal
 8mm (2.2mtr.) ₹ 200.00
 10mm (2.2mtr.) ₹ 200.00
 12mm (2.2mtr.) ₹ 250.00
 Soft / Hard
 10mm (2.5mtr.) ₹ 300.00
 12mm (2.5mtr.) ₹ 350.00



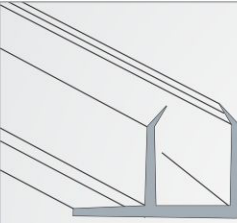
KPS-M2 135°
 8mm (2.2mtr.) ₹ 800.00
 10mm (2.2mtr.) ₹ 800.00
 12mm (2.2mtr.) ₹ 1000.00
 10mm (2.5mtr.) ₹ 1100.00
 12mm (2.5mtr.) ₹ 1350.00



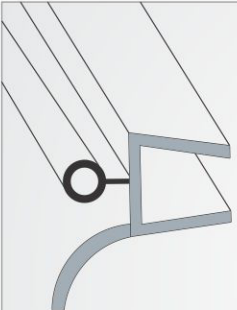
KPS-4 D Seal
 8mm (2.2mtr.) ₹ 200.00
 10mm (2.2mtr.) ₹ 200.00
 12mm (2.2mtr.) ₹ 250.00
 10mm (2.5mtr.) ₹ 300.00
 12mm (2.5mtr.) ₹ 350.00



KPS-M3 90°
 8mm (2.2mtr.) ₹ 800.00
 10mm (2.2mtr.) ₹ 800.00
 12mm (2.2mtr.) ₹ 1000.00
 10mm (2.5mtr.) ₹ 1100.00
 12mm (2.5mtr.) ₹ 1350.00



KPS-6 Sliding Door Seal
 8mm (2.2mtr.) ₹ 200.00
 10mm (2.2mtr.) ₹ 200.00
 12mm (2.2mtr.) ₹ 250.00
 10mm (2.5mtr.) ₹ 300.00
 12mm (2.5mtr.) ₹ 350.00

KPS-7 Water Dispersal Seal
 8mm (2.2mtr.) ₹ 250.00
 10mm (2.2mtr.) ₹ 250.00
 12mm (2.2mtr.) ₹ 300.00

Round Series (Brass/SS 304)



KKH-1
 Wall to Rod (Dia 19mm) ₹ 360.00

Square Series (SS304) Dia 25mm



KKH-11
 Wall to Rod (Dia 25mm) ₹ 500.00



KKH-111
 Wall to Track Connector ₹ 460.00



KKH-2
 Rod to Glass (Dia 19mm) ₹ 400.00



KKH-22
 Rod to Glass (Dia 25mm) ₹ 540.00



KKH-222
 Track to Glass Connector ₹ 480.00



KKH-3
 Rod to Rod (Dia 19mm) ₹ 700.00



KKH-33
 Rod to Rod (Dia 25mm) ₹ 960.00



KKH-333
 Track to Track Connector ₹ 1000.00



KKH-4
 Rod to Glass (One Side Blind) ₹ 450.00



KKH-44
 Rod to Glass (One Side Blind) ₹ 660.00



KKH-ACC-19
 Reinforcing Rod (Dia 19mm)
 ₹ 300.00 (Per Ft.)



KKH-ACC-25x25
 Connecting Track
 ₹ 450.00 (Per Ft.)



KKH-5
 Rod to Rod T Connector (Dia 19mm) ₹ 540.00



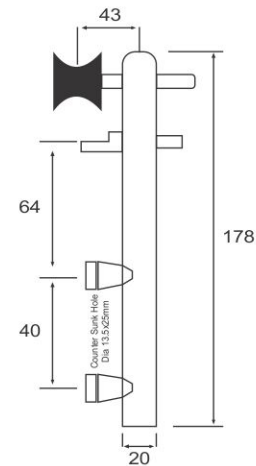
KKH-55
 Rod to Rod T Connector (Dia 25mm) ₹ 960.00



KKH-ACC-10/30
 Connecting Track (Available
 in 1.5 Mt, 1.8 Mt & 2.1 Mt)
 ₹ 350.00 (Per Ft.)



KSL-11A
Shower Sliding Roller
₹ 5000.00



Specification
 • Material : Stainless steel 304 grade
 • Finish : Polish stainless steel (PSS)
 • Available with countersunk hole



KSL-11B
Wall to Glass Connector
₹ 1800.00



KSL-11F
Glass to Rod Holder
₹ 660.00



KSL-11-A1
Roller



KSL-11-A2
Track to Glass Holder



KSL-11-A3
Stopper



KSL-11E
Wall to Rod Holder (Dia 25mm)
₹ 600.00



KSL-ACC-25
Shower Sliding Pipe
₹ 360.00 (Per Ft.)



KSL-11-A4
Floor Guide



KSL-11-A5
Wall to Track Connector



KSL-HN-50
Sliding Handle (Dia 50mm)

Ø 10mmx30mm

KKH-ACC-10/30
Connecting Track (Available
in 1.5 Mt, 1.8 Mt & 2.1 Mt)
₹ 350.00 (Per Ft.)

₹ 10500.00

- KSL-11-A1** - 2 Big Rollers, 2 Small Rollers
- KSL-11-A2** - 2 Track to Glass Holder,
- KSL-11-A3** - 2 Stopper
- KSL-11-A4** - 1 Floor Guide
- KSL-11-A5** - 2 Wall to Track Connector
- KSL-HN-50** - 1 Sliding Round Handle



KSL-11G
Floor Guide
₹ 300.00



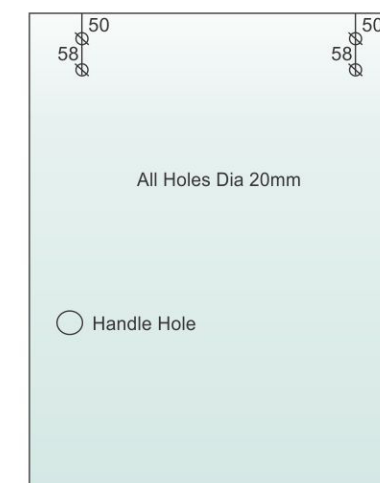
KSL-11i
Stopper
₹ 140.00



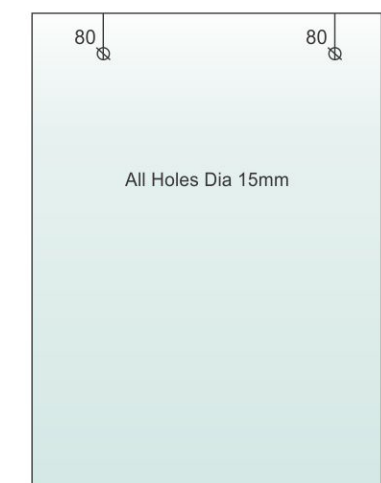
KSL-11H
Rod to Rod Holder
(Dia 25mm)
₹ 1200.00



KSL-11 OHS
Stopper with Over Head Support
₹ 1200.00



Door



Fixed Panel



KSL-44-A1 (Set)
Roller (S.S.)
(KSL-44-A1 - 2 Rollers
KSL-44-A3 - 2 Stopper
KSL-44G - 1 Floor Guide)
₹ 3000.00

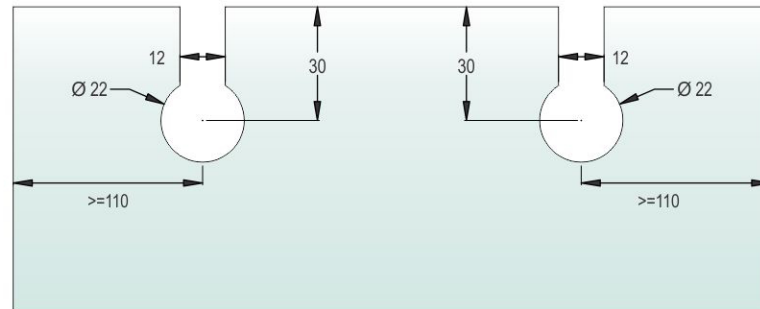


KSL-44-A2 (Set)
Roller (Brass/SS)
(KSL-44-A2 - 2 Rollers
KSL-44-A3 - 2 Stopper
KSL-44G - 1 Floor Guide)
₹ 4500.00

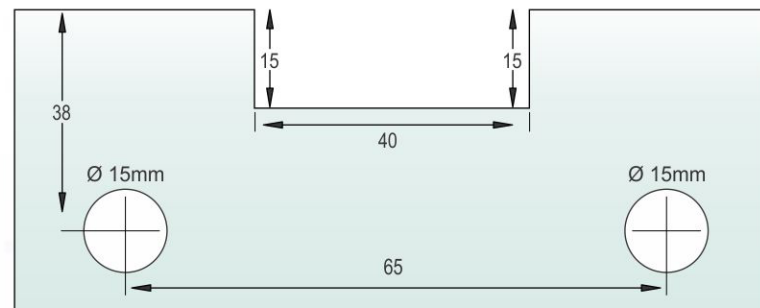


KSL-44-R8 (Set)
8 Wheel Rectangular Roller (S.S.)
(KSL-44-R8 - 2 Rollers
KSL-44-A3 - 2 Stopper
KSL-44G - 1 Floor Guide)
₹ 2400.00

CUTOUT DETAILS OF KSL-44-A1 & KSL-44-A2



CUTOUT DETAILS OF KSL-44-R8



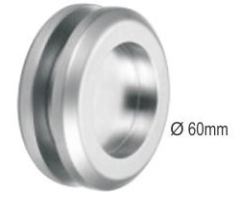
KSL-44-A3
Stopper
₹ 260.00



KSL-44-A5
Wall to Track Clamp
₹ 400.00



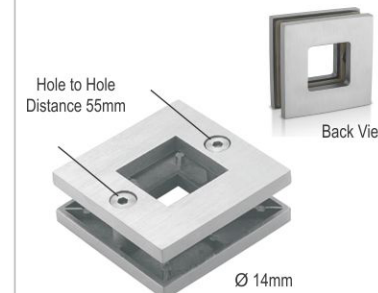
KSL-44-A6
Glass to Track Clamp
₹ 400.00



KSL-HN-50
Sliding Handle (Dia 48mm)
₹ 700.00 (Light)
₹ 1000.00 (Heavy)



KSL-HN-60 (Hollow)
Sliding Handle (Dia 50mm)
₹ 800.00



KSL-HN-70
Sliding Handle (Square)
₹ 1400.00



KSL-HN-80
Sliding Handle (Rectangle)
₹ 1600.00



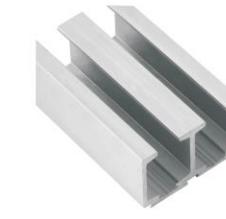
KSL-HN-10
Sliding Handle (Rectangle)
₹ 1600.00



KSL-44G
Floor Guide
₹ 300.00



KSL-44-B1
Aluminium Track (Single)
Available in 8, 10 & 13 Ft.
₹ 400.00 (Per Ft.)



KSL-44-B2
Aluminium Track (Double Door)
Available in 8, 10 & 13 Ft.
₹ 650.00 (Per Ft.)



KSL-44-B3
Aluminium Track (Door+Fix Glass)
Available in 8, 10 & 13 Ft.
₹ 525.00 (Per Ft.)



KSDL-13A+13C
Sliding Door Lock with Strike Plate
₹ 7000.00



KSDL-13A
Sliding Door Lock
₹ 11000.00



KSDL-13B
Strike Box



KSDL-14
Sliding Door Lock with Sliding Handle
₹ 11000.00



KSDL-15
Sliding Door Lock for Overlapping Glasses
₹ 4200.00



KSL-22A
Office Sliding Roller
₹ 4200.00

KSL-33A
Office Sliding Roller
₹ 5000.00

KSL-33-TH
Wall to Rod Clamp
₹ 1100.00

KSL-33-TH-G2
Glass to Rod Clamp
₹ 1100.00

KSL-33G
Floor Guide
₹ 300.00

KSL-33B
Door Stopper
₹ 1100.00

KSL-33-TH-WL
Wall to Rod Holder
₹ 600.00

KSL-33H
Glass to Glass Connector 180°
₹ 2000.00

KSL-LK
Sliding Door Lock (for Overlapping Glasses)
₹ 4200.00

KSL-ACC-25
Shower Sliding Pipe
₹ 425.00 (Per Ft.)



KCF-1
Wall to Glass Connector
₹ 1800.00

Specification

- Finish : Satin stainless steel (SSS)
- Suitable for canopies in interior & exterior
- Stainless steel 304 grade
- To fix glass with the wall
- Adjustable angle
- Washer to prevent glass from damage

KCF-2
Rod to Glass Connector
₹ 1600.00

Specification

- Finish : Satin stainless steel (SSS)
- Suitable for holding canopy glass with rod along with wall to rod
- Stainless steel 304 grade
- To hold canopy glass with rod
- Adjustable angle
- Washer to prevent glass from damage



KCF-3
Wall to Rod Connector
₹ 1400.00

Specification

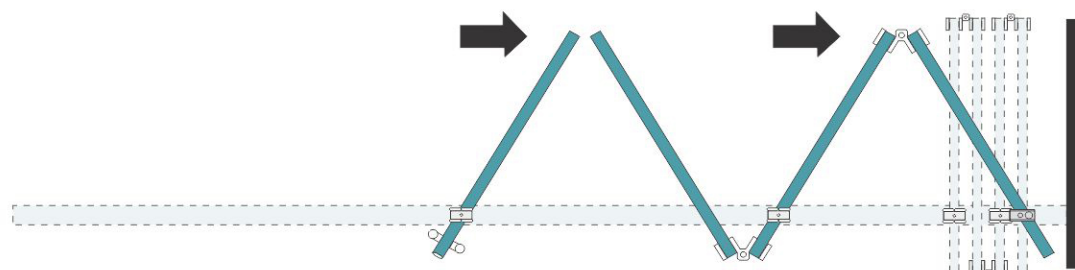
- Finish : Satin stainless steel (SSS)
- Suitable for holding wall to rod with wall
- Stainless steel 304 grade
- To hold rod with the wall
- Adjustable angle
- Washer to prevent glass from damage

KCF-ROD (16mm)
Canopy Rod with Thread
₹ 750.00 (Per Ft.)

Point Fixed Glass Connectors

* Customized solutions can be provided according to the requirements of projects.

<p>KPC-1 Wall to Glass (Adjustable) 82mm ₹ 1400.00 103mm ₹ 1800.00</p>	<p>KPC-2 Wall to Glass (Fix) 82mm ₹ 1400.00 103mm ₹ 1800.00</p>	<p>KPC-3 Glass to Glass (Adjustable) 82mm ₹ 1400.00 103mm ₹ 1800.00</p>	<p>KPC-4 Glass to Glass (Adjustable with Fin) 82mm ₹ 3000.00 103mm ₹ 4000.00</p>	<p>KPC-5 Wall to Glass (Fixed) 6mm - 24mm (Price on Request)</p>	<p>KPC-6 Wall to Glass (Adjustable) 8mm - 24mm (Price on Request)</p>
---	--	--	---	---	--



KSFS-A16
Upper Fixing Clip
₹ 4200.00



KSFS-A6
Glass Door Hinge
₹ 6000.00



KSFS-A10
Folding Door Roller
₹ 6800.00



KSFS-A11
Folding Door Roller
₹ 4500.00



KSFS-A17
Lower Fixing Clip
₹ 4200.00



KSFS-A13L/R
Glass Door Bolt
₹ 8200.00



KSFS-A12
Lower Column Clip
₹ 6500.00



KSFS-A14
Lower Column Clip
₹ 4000.00



KSFS-A18R
Glass Door Bolt (Right)
Price on Request



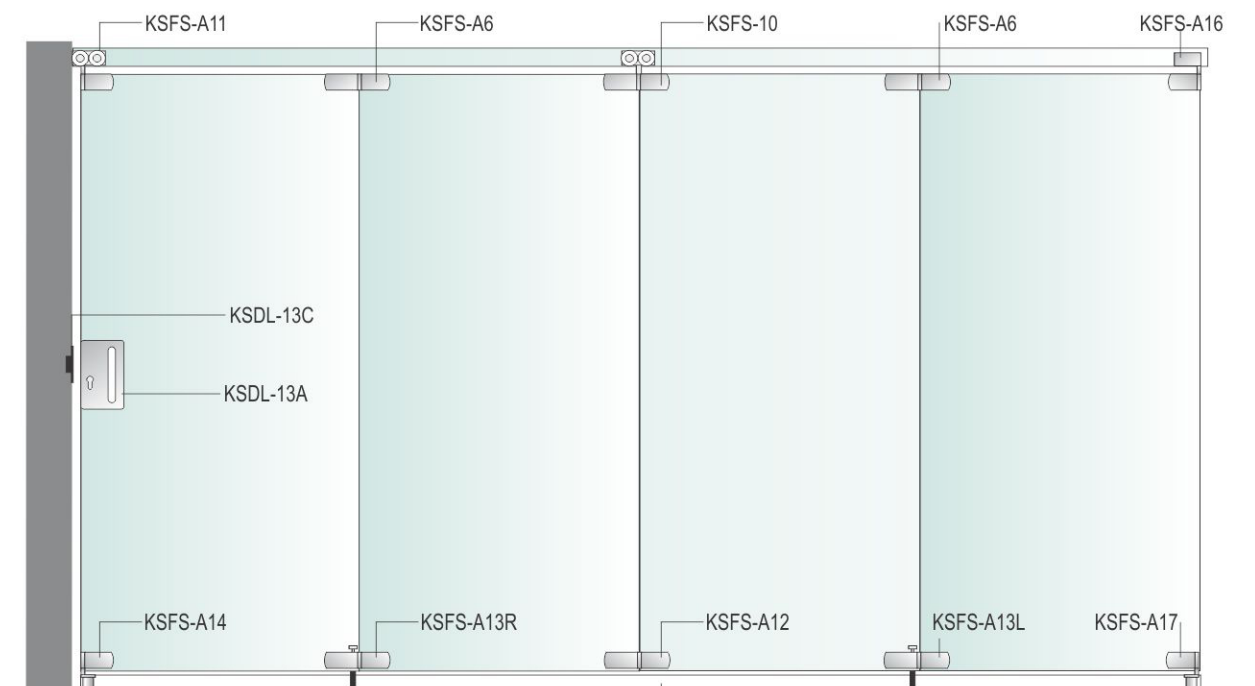
KSFS-A18L
Glass Door Bolt (Left)
Price on Request



KSFS-C1
Upper Track
₹ 8800.00 (4 Mtr.)



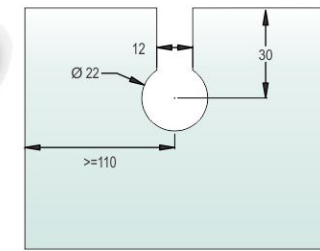
KSFS-A15
Lower Track
₹ 8200.00



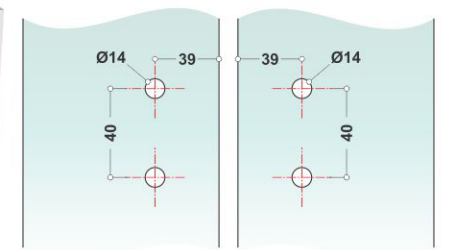
Maximum door leaf height 2500mm
Maximum door leaf width 800mm
Maximum door leaf load 60mm



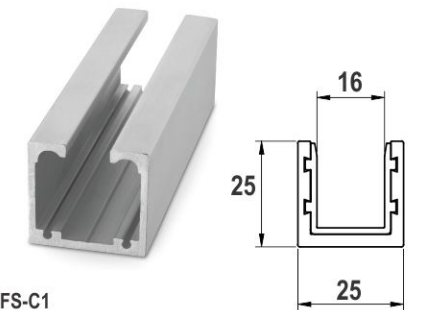
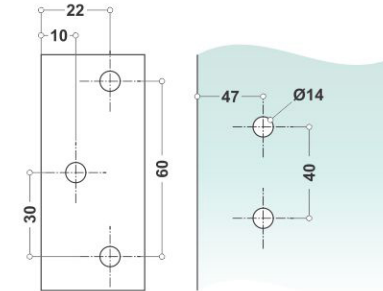
KSFS-H1
Folding Door Roller
₹ 1800.00



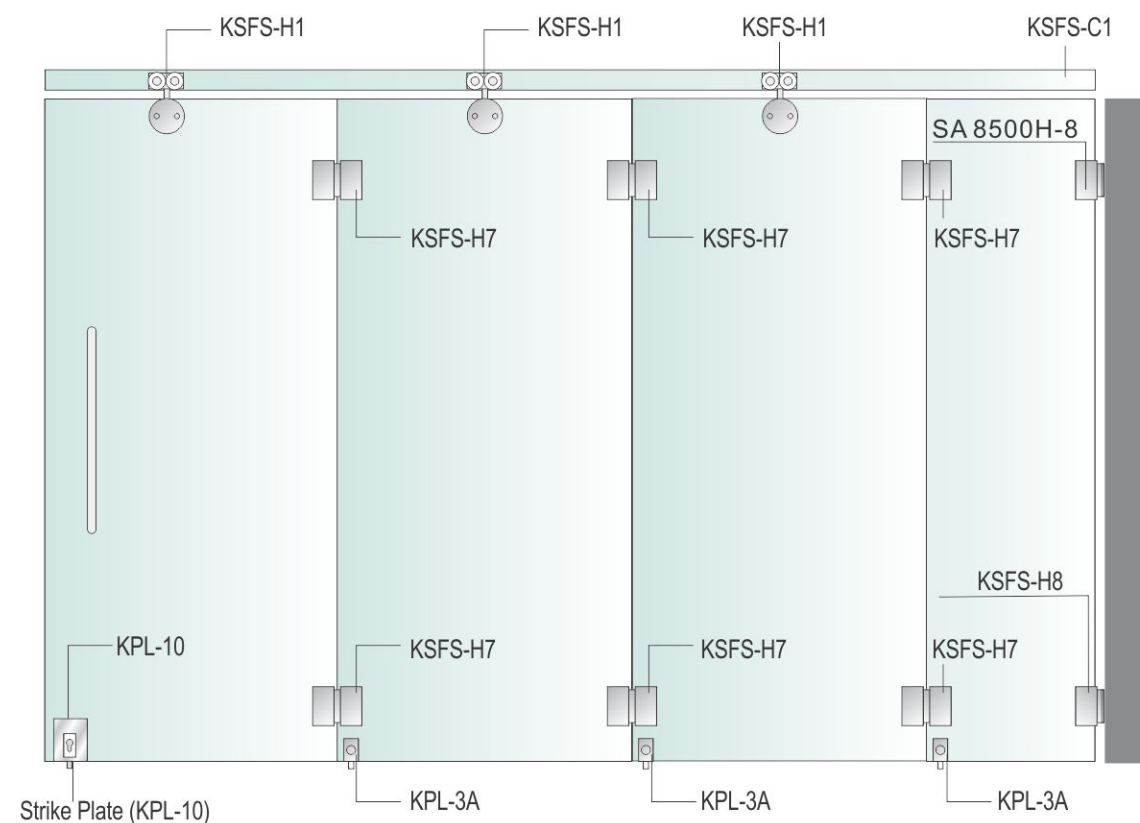
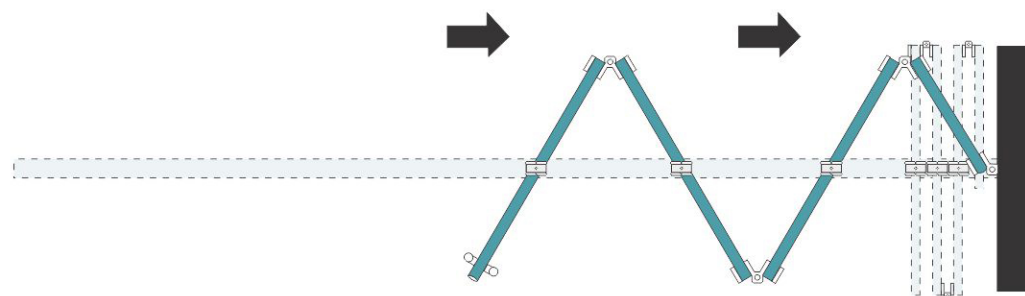
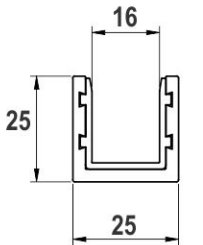
KSFS-H7
Glass to Glass Hinge
₹ 5000.00



KSFS-H8
Glass to Wall Hinge
₹ 3600.00



KSFS-C1
Upper Track
₹ 675.00 (Per Ft)



Maximum door leaf height 2500mm
Maximum door leaf width 800mm
Maximum door leaf load 60mm

CURTAIN WALL SPIDER GLAZING

Spider Fittings



SPIDERS WITHOUT FIN (AVAILABLE IN 200MM & 220MM ARM DISTANCE)



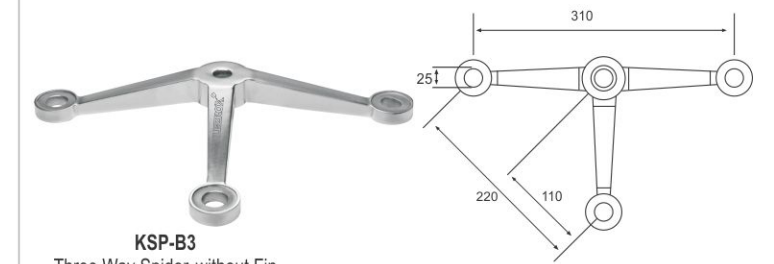
KSP-B1
One Way Spider without Fin
₹ 2000.00 (156mm)
₹ 1800.00 (105mm)



KSP-B2 (90°)
Two Way Spider 90° without Fin
₹ 2700.00



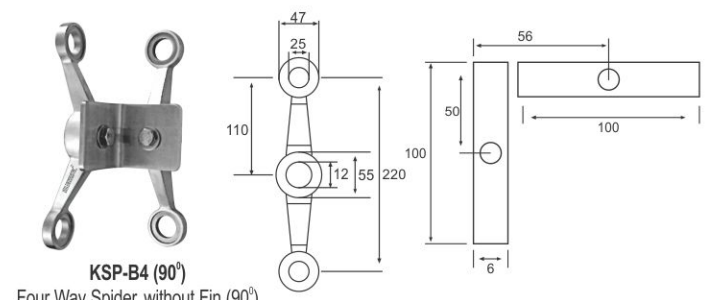
KSP-B2 (180°)
Two Way Spider 180° without Fin
₹ 2700.00



KSP-B3
Three Way Spider without Fin
₹ 3600.00

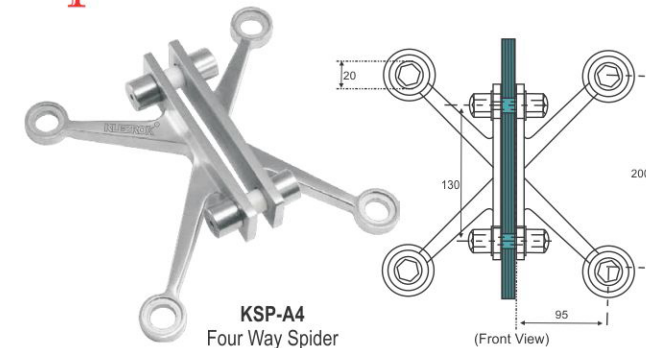


KSP-B4
Four Way Spider without Fin
₹ 3800.00

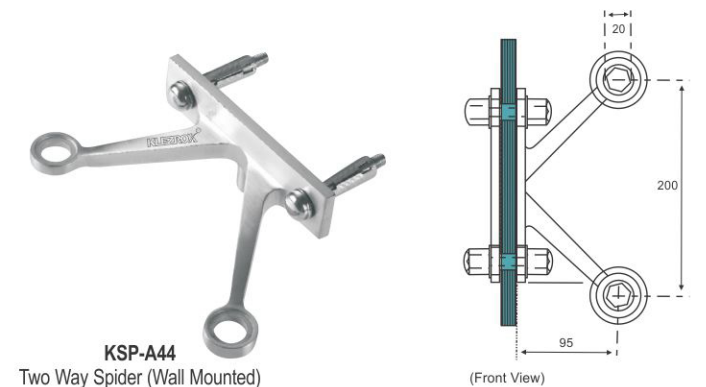


KSP-B4 (90°)
Four Way Spider without Fin (90°)
₹ 7000.00

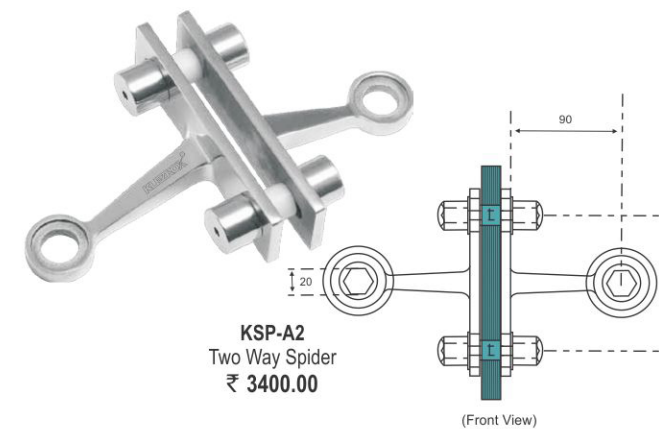
Spider with Fin



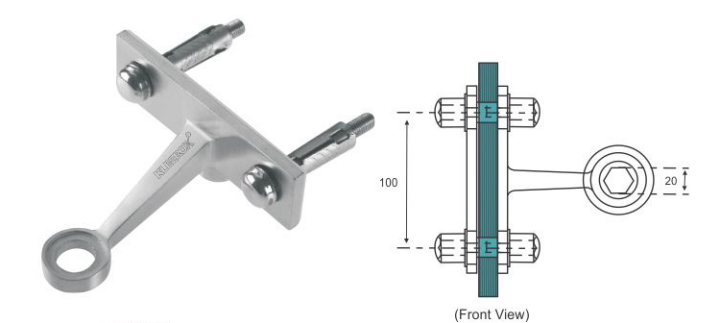
KSP-A4
Four Way Spider
₹ 4400.00



KSP-A44
Two Way Spider (Wall Mounted)
₹ 2200.00



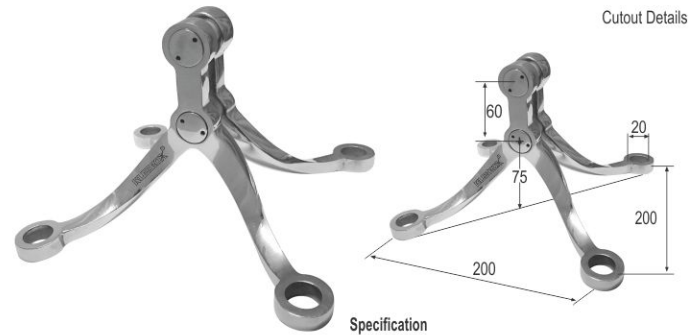
KSP-A2
Two Way Spider
₹ 3400.00



KSP-A22
One Way Spider (Wall Mounted)
₹ 1700.00

Please refer to actual product for hole preparation. Customized solutions can be provided according to the requirements of the project. (Spider, Fin / Splice Plates & Routels)

STAINLESS STEEL 316 GRADE



KSP-D4
Four Way Spider with Fin
₹ 6000.00

Specification

- Four Way Spider with fin to suit two four panel glass assembly
- Material : Stainless Steel 304 Grade
- With gasket & teflon washers to prevent glass for damage
- Hold glass with the help of articulated/fix routels



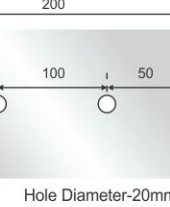
KSP-D44
Two Way Spider
(Wall Mounted) with Fin
₹ 3000.00

Specification

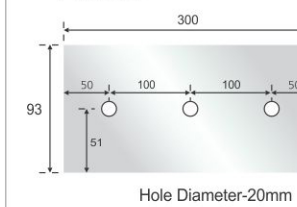
- Two Way Spider with fin to suit two panel wall assembly
- Material : Stainless Steel 304 Grade
- With gasket & teflon washers to prevent glass for damage
- Hold glass with the help of articulated/fix routels



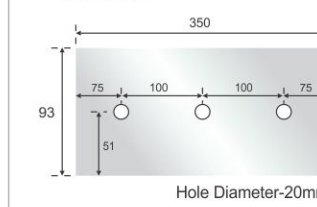
KFP-200
Fin Plate (200mm)
₹ 5000.00



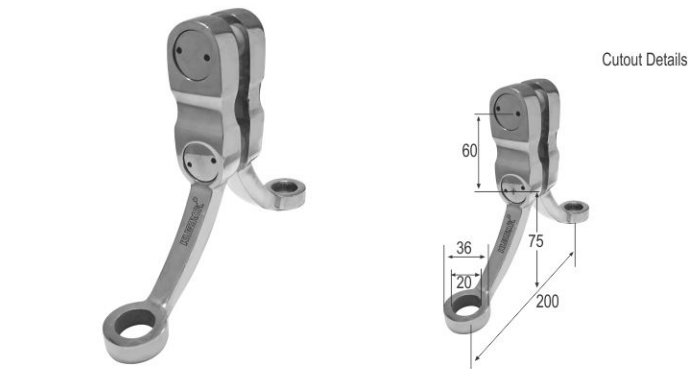
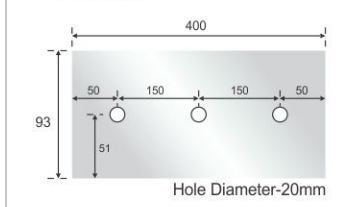
KFP-300
Fin Plate (300mm)
₹ 6500.00



KFP-350
Fin Plate (350mm)
₹ 7500.00



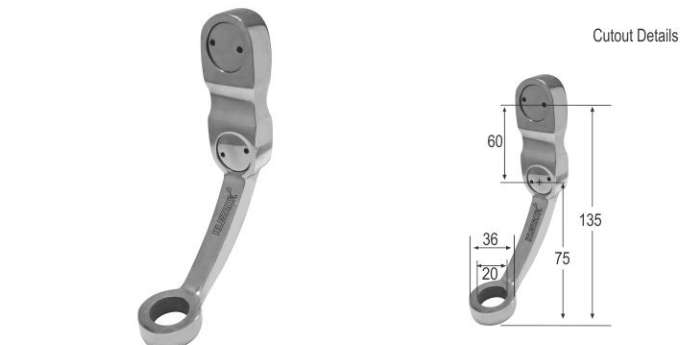
KFP-400
Fin Plate (400mm)
₹ 8500.00



KSP-D2
Two Way Spider with Fin
₹ 5000.00

Specification

- Two Way Spider with fin to suit two panel glass assembly
- Material : Stainless Steel 304 Grade
- With gasket & teflon washers to prevent glass for damage
- Hold glass with the help of articulated/fix routels



KSP-D22
One Way Spider
(Wall Mounted) with Fin
₹ 2500.00

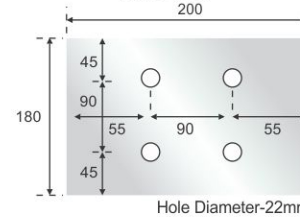
Specification

- One Way Spider with fin to suit one panel wall assembly
- Material : Stainless Steel 304 Grade
- With gasket & teflon washers to prevent glass for damage
- Hold glass with the help of articulated/fix routels

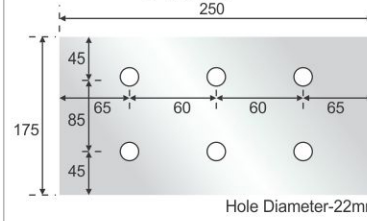
Splice Plates



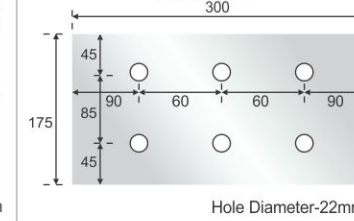
KSP-200
Splice Plate (200mm)
₹ 5000.00



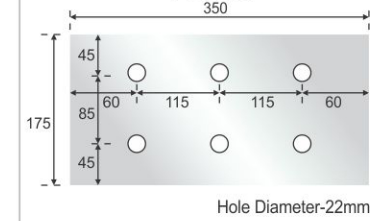
KSP-250
Splice Plate (250mm)
₹ 7000.00



KSP-300
Splice Plate (300mm)
₹ 8000.00



KSP-350
Splice Plate (350mm)
₹ 9000.00



Designer Series Spider Fittings

*Cutout Details on Request



KSP-1
1 Way Spider for
Fix Structure/Wall
₹ 3000.00

Specification

- One point holding of fin with each part to hold
- Finish : Satin Stainless Steel (SSS)
- Material : Stainless Steel 304 Grade
- With teflon washers to prevent glass from damage

*Cutout Details on Request



KSP-2
2 Way Spider for
Fix Structure/Wall
₹ 4200.00

Specification

- Two point holding of fin with each part to hold
- Finish : Satin Stainless Steel (SSS)
- Material : Stainless Steel 304 Grade
- With teflon washers to prevent glass from damage

*Cutout Details on Request



KSP-4
4 Way Spider with Fin
₹ 9000.00

Specification

- Four point holding of fin with each part to hold
- Finish : Satin Stainless Steel (SSS)
- Material : Stainless Steel 304 Grade
- With teflon washers to prevent glass from damage

*Cutout Details on Request



KSP-5
4 Way Spider for 90° Corner
(Two Glass Joints 90°)
₹ 7500.00

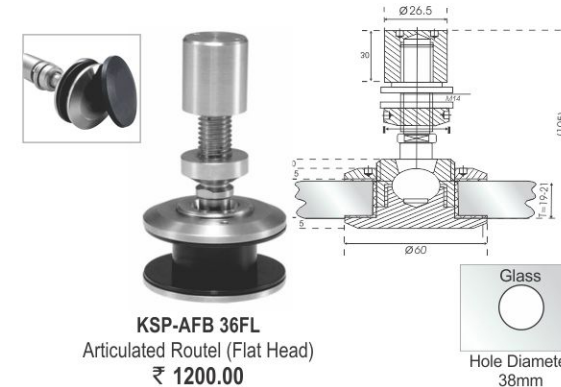
Specification

- Four point holding of fin with each part to hold
- Finish : Satin Stainless Steel (SSS)
- Material : Stainless Steel 304 Grade
- With teflon washers to prevent glass from damage

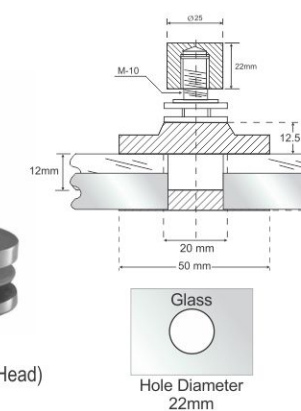
Articulated Routels



KSP-AFB 36FL
Articulated Rousel (Flat Head)
₹ 1200.00



KSP-FB FL
Fixed Rousel (Flat Head)
₹ 850.00



KSP-RB (FH/CS)
Rigid Bolt
(Flat Head/Counter Sunk)
₹ 850.00

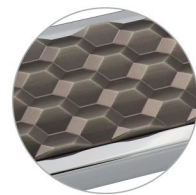


Please refer to actual product for hole preparation. Customized solutions can be provided according to the requirements of the project. (Spider, Fin / Splice Plates & Routels)

Please refer to actual product for hole preparation. Customized solutions can be provided according to the requirements of the project. (Spider, Fin / Splice Plates & Routels)

KRDH-111 (Mosaic)

SIZE	₹ (Per Pair)
Width : 55mm	11600.00
Length : 450mm	
CC : 320mm	

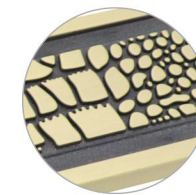


CP + MBN (Metallic Black Nickel)

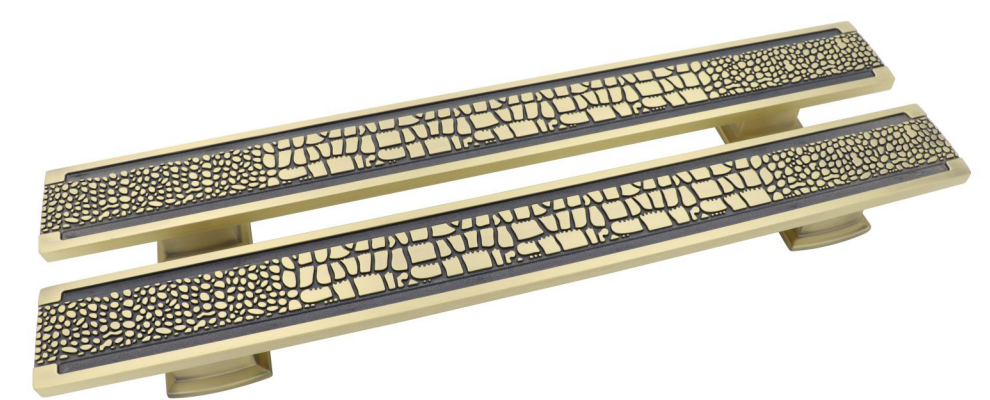


KRDH-555 (Aspire)

SIZE	₹ (Per Pair)
Width : 77mm	13600.00
Length : 650mm	
CC : 450mm	



MAB (Metallic Antique Bronze)



KRDH-222 (Zeal)

SIZE	₹ (Per Pair)
Width : 55mm	11600.00
Length : 450mm	
CC : 320mm	

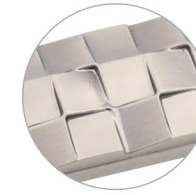


CP + MAB (Metallic Antique Bronze)



KRDH-666 (Crocks)

SIZE	₹ (Per Pair)
Width : 55mm	10200.00
Length : 650mm	
CC : 450mm	

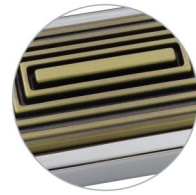


MBN (Metallic Black Nickel)

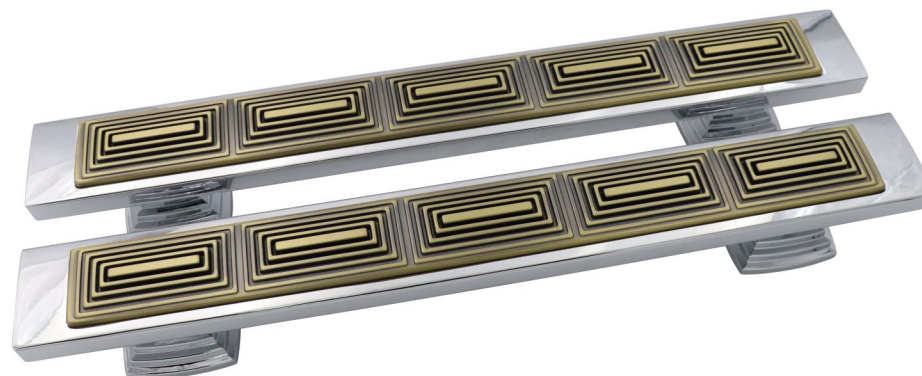


KRDH-333 (Pyramid)

SIZE	₹ (Per Pair)
Width : 55mm	11600.00
Length : 450mm	
CC : 320mm	

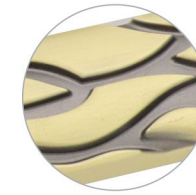


CP + MAB (Metallic Antique Bronze)



KRDH-777 (Flames)

SIZE	₹ (Per Pair)
Width : 55mm	10200.00
Length : 650mm	
CC : 450mm	

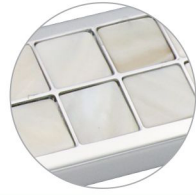


MAB (Metallic Antique Bronze)



KRDH-444 (MOP)

SIZE	₹ (Per Pair)
Width : 55mm	16200.00
Length : 650mm	
CC : 450mm	

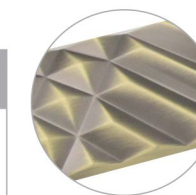


CP + MOP (Mother of Pearls)



KRDH-2000 (Galaxy)

SIZE	₹ (Per Pair)
Width : 55mm	10200.00
Length : 650mm	
CC : 450mm	
Width : 55mm	8200.00
Length : 450mm	
CC : 300mm	



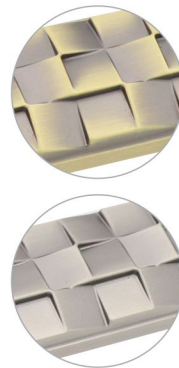
MAB (Metallic Antique Bronze)



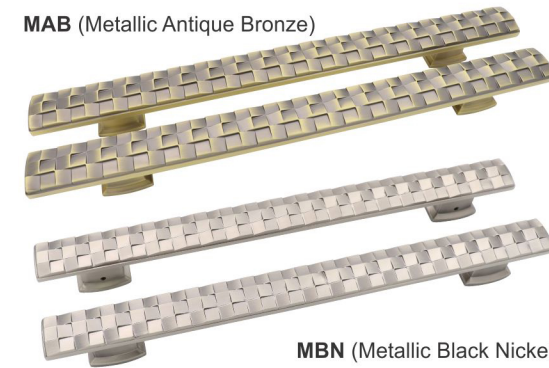
KRDH-666 (Crocks)

SIZE	₹ (Per Pair)
Width : 40mm	2900.00
Length : 420mm	
CC : 320mm	

*Comming Soon CC : 300mm



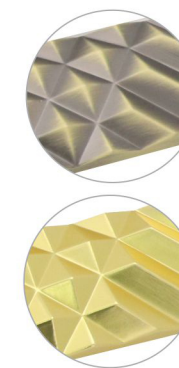
MAB (Metallic Antique Bronze)



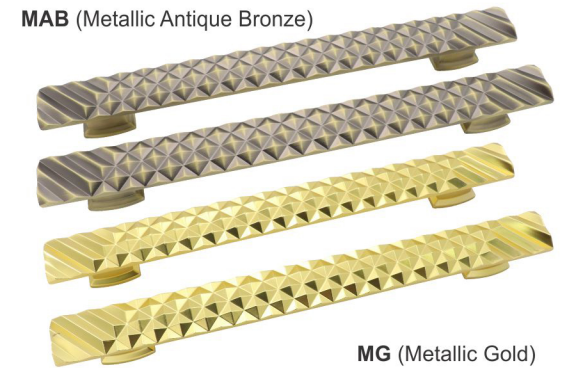
MBN (Metallic Black Nickel)

KRDH-2000 (Galaxy)

SIZE	₹ (Per Pair)
Width : 40mm	2900.00
Length : 420mm	
CC : 300mm	



MAB (Metallic Antique Bronze)



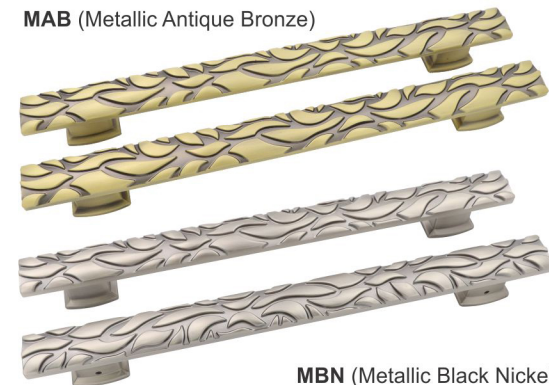
MG (Metallic Gold)

KRDH-777 (Flames)

SIZE	₹ (Per Pair)
Width : 40mm	2900.00
Length : 420mm	
CC : 320mm	



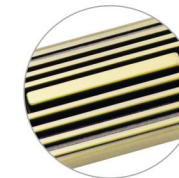
MAB (Metallic Antique Bronze)



MBN (Metallic Black Nickel)

KRDH-3000 (Pyramid)

SIZE	₹ (Per Pair)
Width : 40mm	2900.00
Length : 420mm	
CC : 300mm	



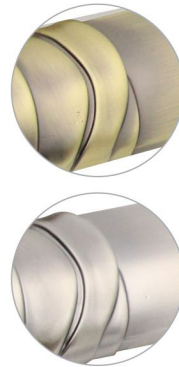
MAB (Metallic Antique Bronze)



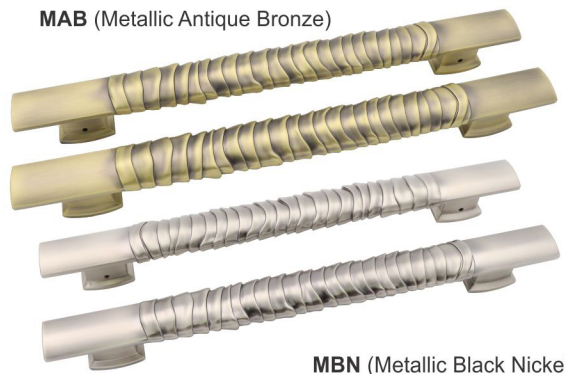
MBN (Metallic Black Nickel)

KRDH-888(Vento)

SIZE	₹ (Per Pair)
Width : 40mm	2900.00
Length : 420mm	
CC : 320mm	



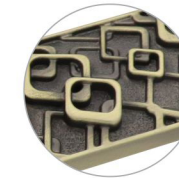
MAB (Metallic Antique Bronze)



MBN (Metallic Black Nickel)

KRDH-4000 (Zeal)

SIZE	₹ (Per Pair)
Width : 40mm	2900.00
Length : 420mm	
CC : 300mm	



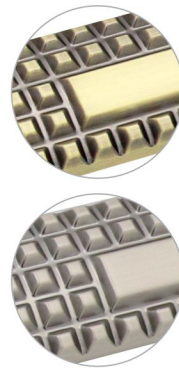
MAB (Metallic Antique Bronze)



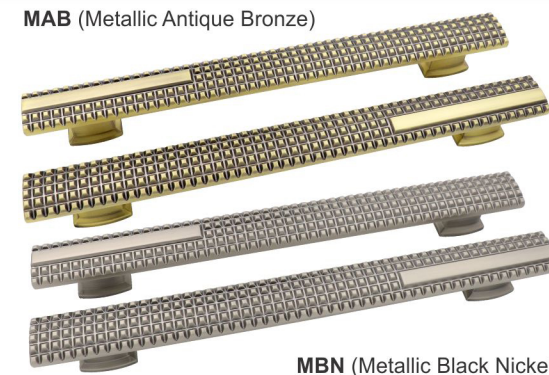
MBN (Metallic Black Nickel)

KRDH-999 (Kroma)

SIZE	₹ (Per Pair)
Width : 40mm	2900.00
Length : 420mm	
CC : 320mm	



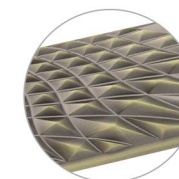
MAB (Metallic Antique Bronze)



MBN (Metallic Black Nickel)

KRDH-5000 (Rainbow)

SIZE	₹ (Per Pair)
Width : 40mm	2900.00
Length : 420mm	
CC : 300mm	



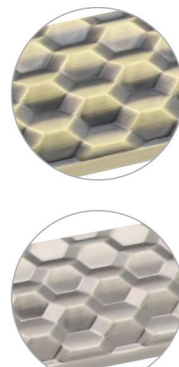
MAB (Metallic Antique Bronze)



MBN (Metallic Black Nickel)

KRDH-1000 (Klassic)

SIZE	₹ (Per Pair)
Width : 40mm	2900.00
Length : 420mm	
CC : 320mm	



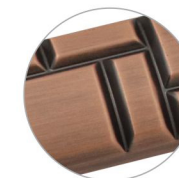
MAB (Metallic Antique Bronze)



MBN (Metallic Black Nickel)

KRDH-6000 (Cubes)

SIZE	₹ (Per Pair)
Width : 40mm	2900.00
Length : 420mm	
CC : 300mm	

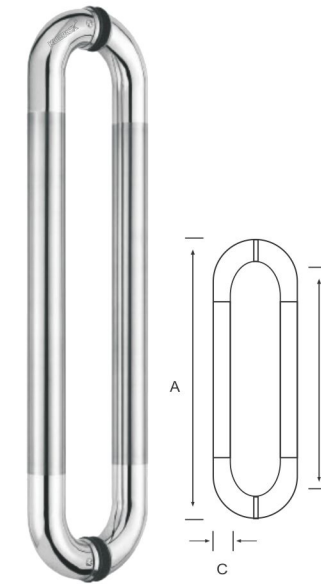


MAB (Metallic Antique Bronze)



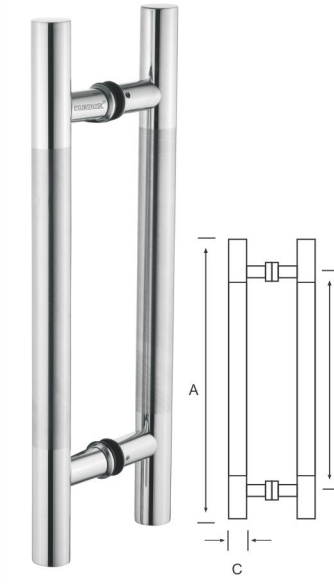
MAB (Metallic Antique Bronze)

DOOR HANDLES



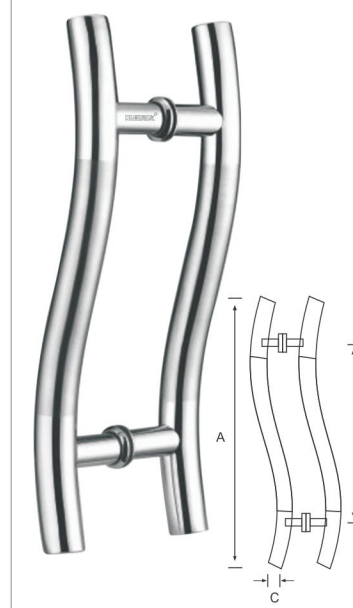
KDH-11

Overall Length (A)	Centre to Hole (B)	Diameter (C)	₹ (Per Pc.)
327	302	25	900.00
482	450	32	1500.00
568	600	32	2000.00



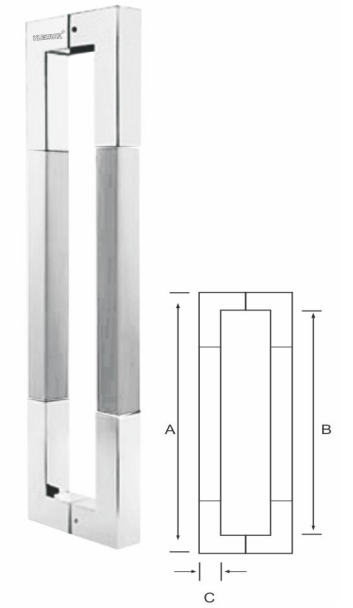
KDH-55

Overall Length (A)	Centre to Hole (B)	Diameter (C)	₹ (Per Pc.)
*457	302	32	1400.00
**457	302	32	2100.00
600	455	32	1800.00
900	600	32	2500.00
900	700	32	2500.00
1200	900	32	3200.00
1500	1200	32	4000.00



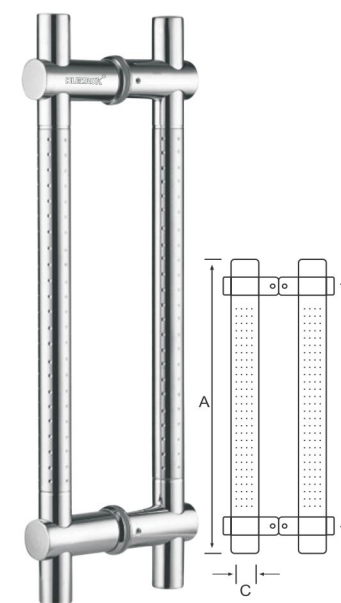
KDH-77

Overall Length (A)	Centre to Hole (B)	Diameter (C)	₹ (Per Pc.)
457	302	32	1700.00



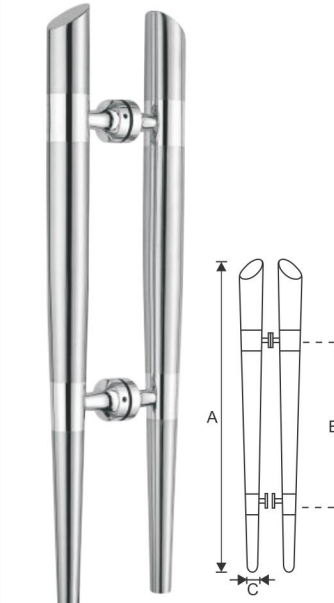
KDH-44

Overall Length (A)	Centre to Hole (B)	Diameter (C)	₹ (Per Pc.)
327	302	25/25	1700.00
480	450	30/30	2100.00
600	570	30/30	2600.00



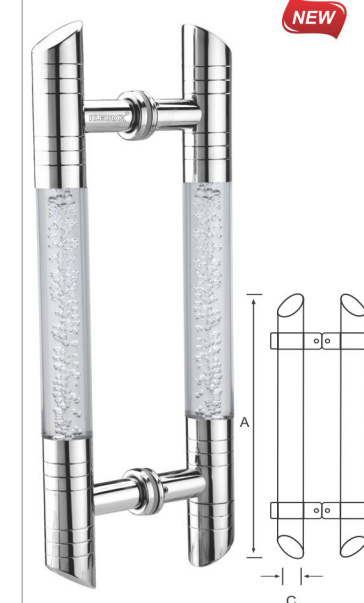
KDH-55 (Adjustable)

Overall Length (A)	Centre to Hole (B)	Diameter (C)	₹ (Per Pc.)
457	302	32	1800.00
600	450	32	2300.00



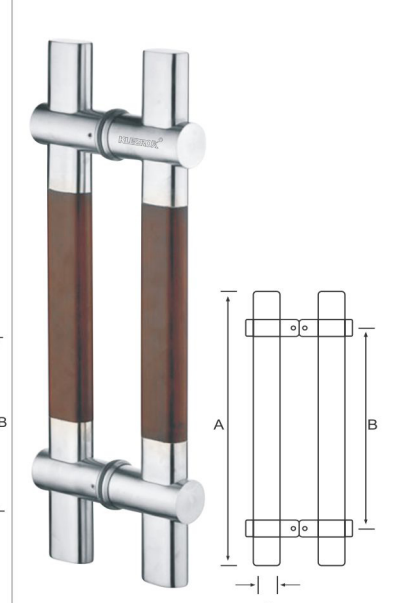
KDH-99

Overall Length (A)	Centre to Hole (B)	Diameter (C)	₹ (Per Pc.)
457	302	32	2000.00
600	450	32	3000.00



KDH-CR-01

Overall Length (A)	Centre to Hole (B)	Diameter (C)	₹ (Per Pc.)
480	302	38	3100.00
600	450	38	4100.00



KDH-WSS-11

Overall Length (A)	Centre to Hole (B)	Diameter (C)	₹ (Per Pc.)
450	302	25/45	2400.00

* Refer to original product for cutout and hole to hole distance.

Door Handle with Lock



KDH-WSS-22

Overall Centre to Length (A)	Centre Hole (B)	Diameter (C)	₹ (Per Pc.)
450	302	38/25	2400.00

TOWEL BAR HANDLES



KDH-TB-01

SIZE	₹ (Per Pc.)
19x152x457CC (SS 304)	1500.00
25x152x457CC (SS 202)	1500.00



KDH-TB-02

SIZE	₹ (Per Pc.)
15/30x152x457 (SS 202)	1700.00



KDH-TB-03 (WITH KNOB)

SIZE	₹ (Per Pc.)
19x152x457CC (SS 304)	1800.00
25x152x457CC (SS 304)	2200.00



KDHL-55

SIZE	₹ (Per Pc.)
35x1500	15000.00

Door Knobs



KDK-1
Door Knob
₹ 500.00



KDK-2
Door Knob
₹ 500.00



KDK-3
Door Knob
₹ 500.00



KDK-4
Door Knob
₹ 500.00



KDK-5
Door Knob
₹ 500.00

Cabinet Hinges (For 5mm-10mm Glass)



KMH-1
Wall to Glass Hinge (SS 304)
₹ 1200.00



KMH-2
Glass to Glass Hinge (SS 304)
₹ 1400.00



KMH-3
Wall to Glass Hinge (Zinc)
₹ 400.00



KMH-4
Wall to Glass Hinge (without Hole) (Zinc)
₹ 300.00



KMH-5
Wall to Glass Hinge (Brass)
₹ 300.00



KMH-6
Glass to Glass Hinge (Brass)
₹ 300.00



KLK-1
Double Door Lock (Only Key)
₹ 1400.00



KLK-2
Single Door Lock (Only Key)
₹ 1200.00



KLK-3
Double Door Lock (Key & Knob)
₹ 1500.00



KLK-4
Single Door Lock (Key & Knob)
₹ 1300.00



KLK-5
Double Door Lock (Only Key)
₹ 1500.00



KLK-6
Single Door Lock (Only Key)
₹ 1200.00



KLK-7
Double Door Lock (Key & Knob)
₹ 1600.00



KLK-8
Single Door Lock (Key & Knob)
₹ 1300.00



KLK-9 (Slot Type)
Mini Double Door Lock (Key & Knob)
₹ 1300.00



KLK-10 (Slot Type)
Mini Single Door Lock (Key & Knob)
₹ 1100.00



KLK-11 (Pin Type)
Mini Double Door Lock (Key & Knob)
₹ 1300.00



KLK-12 (Pin Type)
Mini Single Door Lock (Key & Knob)
₹ 1100.00



KLK-13
Double Door Lock (Only Knob)
₹ 1500.00



KLK-14
Single Door Lock (Only Knob)
₹ 1200.00



KLK-15
Double Door Lock (Only Knob with Indicator)
₹ 3500.00



KLK-16
Single Door Lock (Only Knob with Indicator)
₹ 2700.00



KLK-100
Single Door Lock (Only Knob with Indicator)
₹ 3200.00

* Lock with Cutout
Close Open

* Refer to original product for cutout and hole to hole distance.



KRA-1 (Spigot)
₹ 4800.00 (Matt)



KRA-2 (Spigot)
₹ 3600.00 (Matt)
₹ 3800.00 (CP)



KRA-2 (Mini)
₹ 2600.00 (Matt)
₹ 2700.00 (CP)



KRA-3 (Spigot)
₹ 3600.00 (Matt)
₹ 3800.00 (CP)



KRA-3 (Mini)
₹ 2000.00 (Matt)
₹ 2100.00 (CP)



KRA-4 (Spigot)
₹ 3000.00 (Matt)



KRA-4 A (Spigot)
₹ 5000.00 (Matt)



KRA-4 B (Spigot)
₹ 4400.00 (Matt)
₹ 4600.00 (CP)



KRA-222 (Spigot)
₹ 1600.00 (Matt)



KRA-333 (Spigot)
₹ 1500.00 (Matt)



KRA-5
Wall to Handrail
₹ 1000.00



KRA-6
Glass to Handrail
₹ 1150.00



KRA-6 A
Glass to Handrail
₹ 1150.00



KRA-6 B (Dolphin)
Glass to Handrail
₹ 1400.00



KRA-8 (Flat)
U Shape Railing Connector
₹ 700.00



KRA-8 A (Curve)
U Shape Railing Connector
₹ 700.00



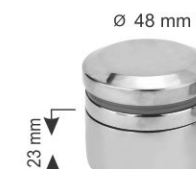
KRA-9A
Railing Stud 45mm
₹ 1300.00
w/o plate ₹ 1100.00



KRA-9B
Railing Stud 25mm
₹ 1000.00



KRA-9C
Glass Adjustable Stud
₹ 1400.00



KRA-9D
Glass Adjustable Stud
₹ 1100.00



KRA-9E
Railing Twin Stud
₹ 1400.00



KRA-9F
Square Railing Stud
(Dia 40x40mm)
₹ 1400.00

Slot Size 15mmx15mm
20mmx20mm



KRA-10
Single Slotted Round Pipe
₹ 800.00 (Per Ft.)



Slot Size 15mmx15mm

KRA-11
Double Slotted Round Pipe
₹ 1100.00 (Per Ft.)



Slot Size 15mmx15mm

KRA-12
Single Slotted Curve Pipe
₹ 700.00 (Per Ft.)



Slot Size 15mmx15mm

KRA-13
Single Slotted Square Pipe
₹ 900.00 (Per Ft.)



KRA-14
Slotted Pipe Jointer 180°
₹ 1000.00



KRA-15
Round Pipe Jointer 90°
₹ 1500.00



KRA-16
Rectangle Pipe Jointer L-Type 90°
₹ 1500.00



KRA-17
Straight Jointer
₹ 1000.00



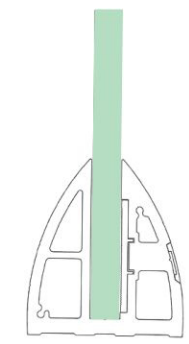
KRA-18
Wall to Slotted Pipe Jointer
₹ 800.00



KRA-19
Slotted Pipe End Cap
₹ 700.00

Aluminium Glass Railing Profile

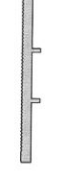
* Price on Request



KARP-01
Glass Railing Profile
(Heavy for 12mm Glass)



Main Profile
Finish: Silver Anodized & champagne



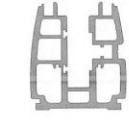
Cover
Finish: Silver Anodized & champagne



Adjusting Profile
Finish: Mill



Guide Profile
Finish: Silver Anodized & champagne



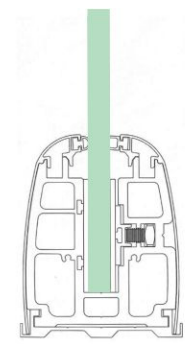
Main Profile
Finish: Silver Anodized & champagne



Adjusting Profile
Finish: Mill




Cover Profile
Finish: Silver Anodized & champagne



KARP-02
Glass Railing Profile
(Sweep System for 12 to 15mm Glass)



* Above MRP is based on standard height of Baluster limited to 3 Ft. Any changes will lead to differ in pricing



KRB-1
Baluster with Glass Holder (Floor Mount)
₹ 4400.00

KRB-1 A
Baluster with Glass Holder (Wall Mount)
₹ 5200.00

KRB-2
Baluster with Glass Holder (Floor Mount)
₹ 8000.00

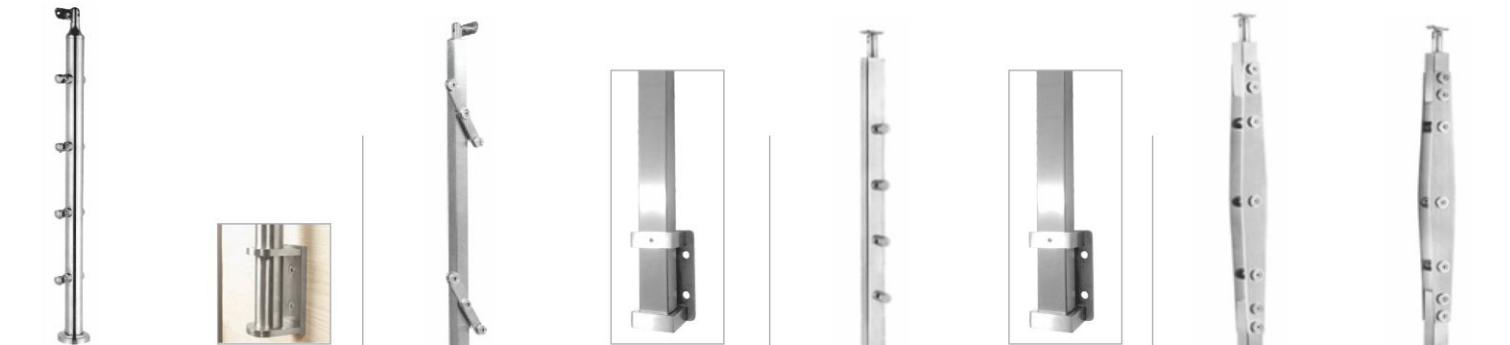
KRB-2 A
Baluster with Glass Holder (Wall Mounted)
₹ 9000.00

KRB-3
Baluster with Glass Holder (Floor Mount)
₹ 8800.00

KRB-3 A
Baluster with Glass Holder (Wall Mount)
₹ 9800.00

KRB-4
Baluster with Glass Holder (Floor Mount)
₹ 5400.00

KRB-4 A
Baluster with Glass Holder (Wall Mounted)
₹ 6200.00



KRB-5
Baluster with Pipe Holder
₹ 6000.00

KRB-5 A
Baluster with Pipe Holder (Wall Mounted)
₹ 6800.00

KRB-6
Baluster with Glass Holder
₹ 7000.00

KRB-6 A
Baluster with Glass Holder (Wall Mounted)
₹ 7800.00

KRB-7
Baluster with Pipe Holder
₹ 6000.00

KRB-7 A
Baluster with Pipe Holder (Wall Mounted)
₹ 6800.00

KRB-8
Baluster with Glass Holder
₹ 14000.00

KRB-8 A
Baluster with Glass Holder (Wall Mounted)
₹ 15000.00

Glass Glazing Profiles



Glass Glazing Profile

- Attached with ceiling, floor or wall
- Available in lengths of 3, 4 or 5 meter
- Do not require any glass preparation
- Easy and simple installation of the glass
- Low maintenance cost

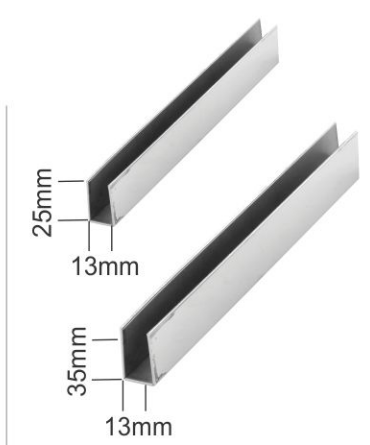
KGP-1
Glazing Profile (Available in 3, 4 & 5 Mtr.)
Aluminum Finish: ₹ 1250.00 (Per Mtr.)
Champagne Finish: ₹ 1450.00 (Per Mtr.)



Wall Connecting Profile

- Attached with ceiling, floor or wall
- Available in lengths of 3, 4 or 5 meter
- For 8, 10 and 12 mm glass thickness
- Do not require any glass preparation
- Easy and simple installation of the glass
- Low maintenance cost

KGP-2
Wall Connecting Profile (WCP)
Available in 3 & 5 Mtr.
₹ 2000.00 (Per Mtr.)



KGP-3
'U' Channel (For Fixed Glass)
Finish: CP/ SS/Rose Gold
Available in 3.4 Mtr.
Thickness: 1.5mm
₹ 3200.00 (25mm)
₹ 4000.00 (35mm)

Bracket Shelf Holders



KBSH-1
Double Shelf Holder (10-12mm)
₹ 120.00

KBSH-2
Single Shelf Holder (10-12mm)
₹ 90.00

KBSH-11
Double Shelf Holder (10-12mm)
₹ 90.00

KBSH-22
Single Shelf Holder (10-12mm)
₹ 60.00

Glass Lifters



KGL-2C
Glass Lifter with Two Cups
₹ 2400.00

KGL-3C
Glass Lifter with Three Cups
₹ 3400.00

Washroom Partition (Nylon)



KTPF-1
Toilet Partition Fitting
₹ 3000.00



Telescopic Channel

- Specification:**
- Premium quality
 - 10 Inch to 24 Inch Length
 - 4 Ball bearing
 - 72-75 gms. weight per inch



KTC-01
Telescopic Channel
₹ 24.00 (Per Inch)

Hydraulic Hinge (Soft Close Clip-on)



KHH-01
Hydraulic Soft Close Action for 14-32mm Thick Door
Size - 0, 8, 15 Crank
₹ 280.00 per Set

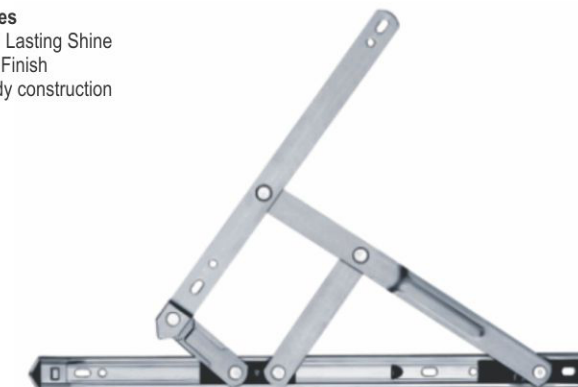
Friction Stay Hinge

Specification

Product Code	Hinge Size (in/mm)	Side Hung		Top Hung		Load Capacity (Kgs)	Opening Angle (+/-3°)	₹ (Per Pc.)
		Max shutter width (mm)	Max shutter Height (mm)	Max shutter width (mm)	Max shutter Height (mm)			
FS 08	08/205	425	425	10	87	8" - ₹ 250.00		
FS 10	10/255	500	500	14	87	10" - ₹ 300.00		
FS 12	12/310	475	757	18	87	12" - ₹ 350.00		
FS 14	14/355	650	650	21	87	14" - ₹ 450.00		
FS 16	16/405	700	700	24	87	16" - ₹ 550.00		
FS 18					87	18" - ₹ 650.00		
FS 20					87	20" - ₹ 800.00		
FS 24					78	24" - ₹ 950.00		

Features

- Long Lasting Shine
- Fine Finish
- Sturdy construction



Aluminium Accessories NEW



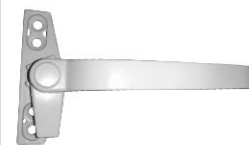
KAA-1
Domal Sliding Handle
₹ 200.00



KAA-2
Euro Hinge
₹ 150.00



KAA-3
Casement Handle
₹ 300.00

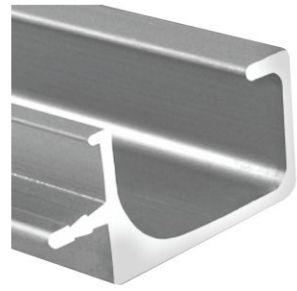


KAA-4
Casement Handle (Small)
₹ 150.00



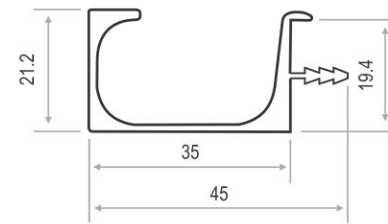
KAA-5
Casement Handle (Small)
₹ 225.00

* Prices on Request

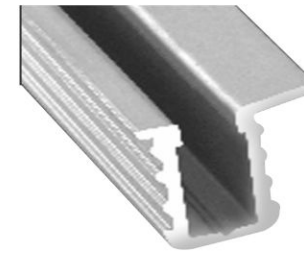


KAP-35
'G' Handle Profile 35mm

Length: 3 Mtr.
Finish: Finish: Silver Anodized (CP)

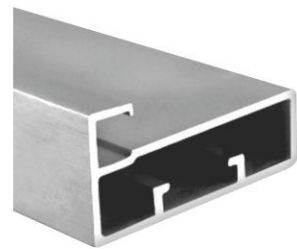


* Prices on Request



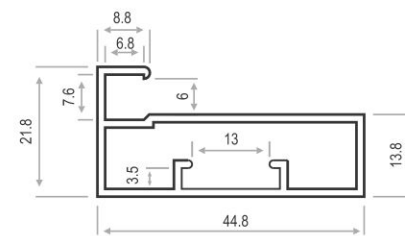
KAP-06
Slideline - 56 Profile No. Profile

Length: 3.6 Mtr.
Finish: Matt



KAP-45
Glass Profile 45mm (with Gasket)

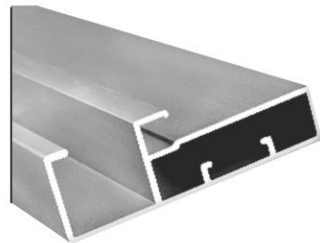
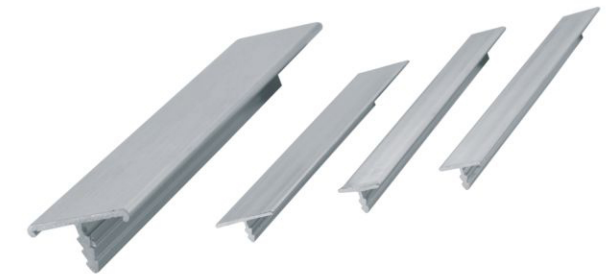
Length: 3 Mtr.
Finish: Finish: Silver Anodized (CP)
Glass Thickness: 4mm-5mm



Profile Connector with Two Screw Hole
Set of 4 Pcs.

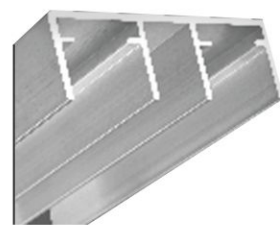
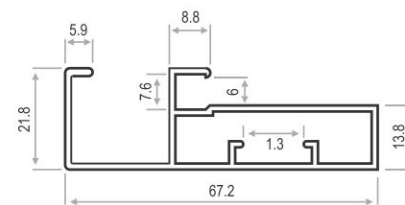


Profile Connector with Four Screw Hole
Set of 4 Pcs.



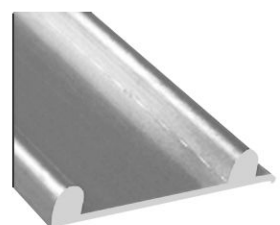
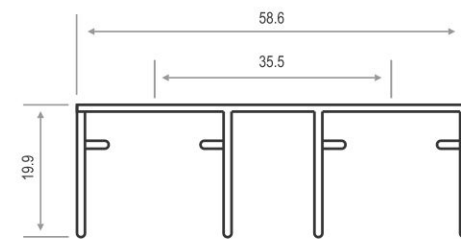
KAP-64
Glass Handle Profile 45mm (with Gasket)

Length: 3 Mtr.
Finish: Finish: Silver Anodized (CP)
Glass Thickness: 4mm-5mm



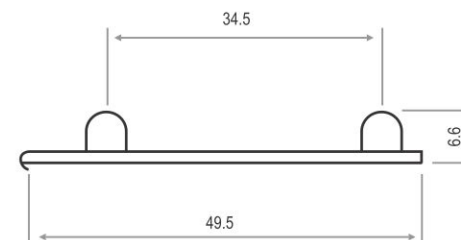
KAP-04 Double Track Profile (Top)

Length: 4 Mtr.
Finish: Matt



KAP-05 Double Track Profile (Bottom)

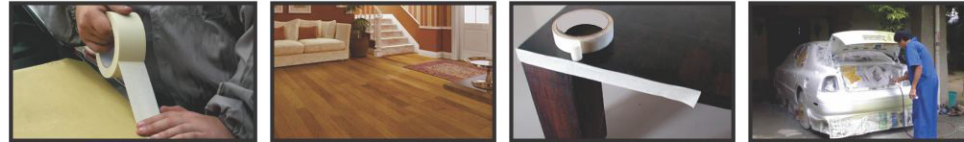
Length: 4 Mtr.
Finish: Matt



BEST QUALITY STRONG ADHESIVE
A TRUSTED NAME WORLD WIDE

De KLAZOVYN is general purpose paper tape used from wide range of industrial applications like masking, splicing, labeling, building, packaging etc. The product confirm to almost all surface and has excellent adhesion and tensile strength, for best result always ensure a clear and dry surface before applying tape and check the suitability of the tape for the intended applications.

- General Purpose** ★ **Auto Paints** ★ **Glass Work** ★ **Plywood** ★ **Tiles**
★ **Glazing** ★ **Exterior/Interior** ★ **Paint Designing**



(Price on Request)

ADHESIVE	Acrylic
ADHESIVE CARRIER	Acrylic Foam
THICKNESS	1.2mm & 2.0 mm
TAPE COLOR	Grey
LINER	Red PE Film
PACKING	100 rolls per carton

* Customized size available according to specific order.

Glazing Double Side Tape

- * Durable, high performance two-sided pressure sensitive acrylic foam tapes.
- * A high strength, clear, UV resistant double-sided film.
- * Has high adhesion and shear strength.
- * Heat and solvent resistant.
- * A good general purpose, permanent glazing tape.

Applications:

- * Bonding glass to metal frames (aluminium panel) in curtain wall systems and commercial windows
- * Attachment of stiffeners and perimeter clips to architectural panels
- * Exterior building cladding

Special Feature

- Easy to assemble, no drilling, riveting, welding or screw fastening.
- Excellent seal against water, moisture and dust.
- Quick and easy to apply, saves time, labour costs and greater bonding strength.
- Ideal for bonding to a variety of substrates like most metals, glass, plastics, composites and painted surface.



Double Sided Structural Glazing Tape

(Price on Request)



Colour	Thickness mm	Tensile Strength g/cm ²	Elongation %	Adhesion Strength 180 E (g/25mm)	Shear Strength g/cm ²	Density of Foam g/cm ³	Holding Power Hr
Grey	1.2	>=6500	900	>=4500	Before 20minutes >4000 After 24hours >6500	800	>24
Grey	2	>=5500	900	>=4500	Before 20minutes >3500 After 24hours >5500	800	>24

(Price on Request)



General Purpose Silicone Sealant

Characteristics:

- Easy to use, one-part sealant cured quickly, good weather ability.
- One-component acetic cured, no mixing required.
- Adhesive to metals, glass, glazed, plastic, paint coated surfaces and many building materials.
- Excellent UV, ozone and chemical resistance, unattached by sunlight, rain, snow and temperature extremes

Major Uses:

- For joint filling and window sealing
- For sealing doors glass-related buildings
- For non-oily wood, coated surfaces Aluminum alloy and ceramic tiles etc.

- EXCELLENT SEAL** **EXCELLENT BONDING**
EXCELLENT WEATHERABILITY

Neutral Weatherproof Silicone Sealant

Characteristics:

- Highly elastic and excellent unpermed adhesion to most building excellent materials.
- Long use life, with high resistance to ultraviolet radiation, rainfall, heat and humidity.
- Excellent resistance against temperature extremes, remains flexible within temperature range of -40°C to +100°C
- One part with outstanding weatherability and resistance to again

Major Uses:

- Weatherproof sealing of glass curtain wall.
- Weatherproofing sealing of various metals, aluminum curtain walls and building facades.
- Joint seal of other concrete or plastic constructions.
- A variety of other building and industria uses.

Storage Shelf Life:

- De KLAZOVYN 788 weatherproof silicone sealant should be stored in cool and dry places over the temperature from 0°C to 27°C, under which the shelf life is 12 months from the date of production

Limitations:

- Not suitable for confined or non-ventilated places as weatherproof sealant requires atmospheric moisture to cure.
- Not suitable for wet/frosty surfaces.
- Do not apply with the surfaces that needs to be painted or have continuous contact with water
- Do not apply with the material having surface temperature not between 5°C to 50°C.



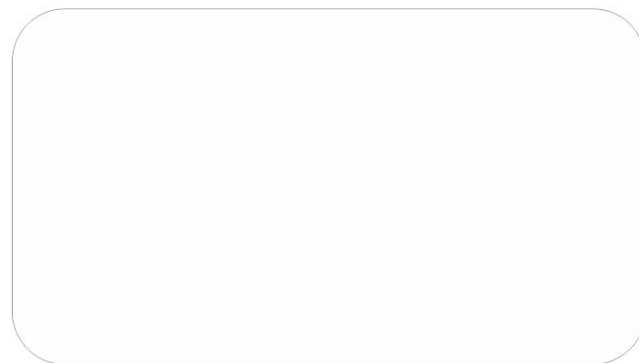
Storage Shelf Life:

- De KLAZOVYN GP should be stored in cool and dry places over the temperature from 0°C to 27°C, under which the shelf life is 12 months from the date of production

Limitations:

- Do not use for curtain wall structural glazing.
- Not suitable for confined or non-ventilated places as it requires atmospheric moisture to cure.
- Not suitable for wet/frosty surfaces.
- Do not apply with the surfaces that needs to be painted or have continuous contact with water
- Do not apply with the material having surface temperature not between 5°C to 50°C.

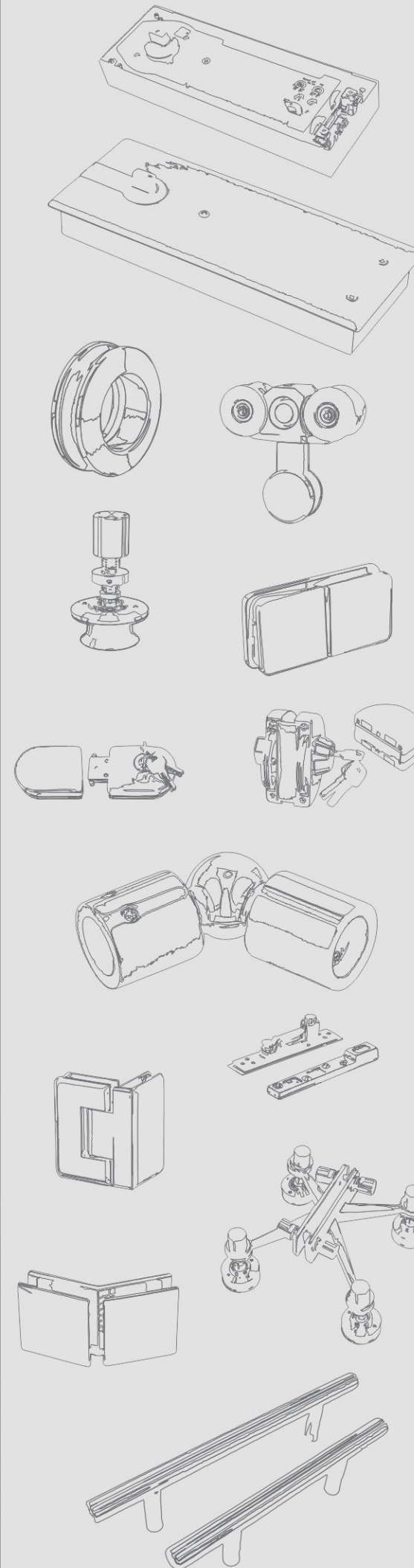
De
KLAZOVYN™
Style with Performance
 ARCHITECTURAL HARDWARE
 World Wide Exports



Product photos shown in catalogue are only the visual and may differ from original.
 The technical presentation and dimension in illustrations and drawings shown are for reference only.
 Please refer the original product for glass cutout.

Techno Graphics : +91- 9811031678

PRODUCT CATALOGUE

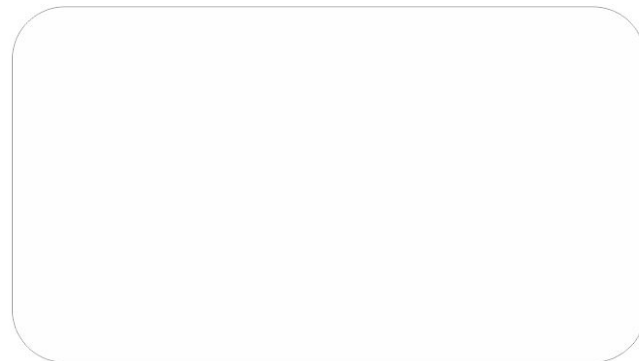


De
KLAZOVYN™
Style with Performance
 ARCHITECTURAL HARDWARE



De
KLAZOVYN™
Style with Performance
 ARCHITECTURAL HARDWARE

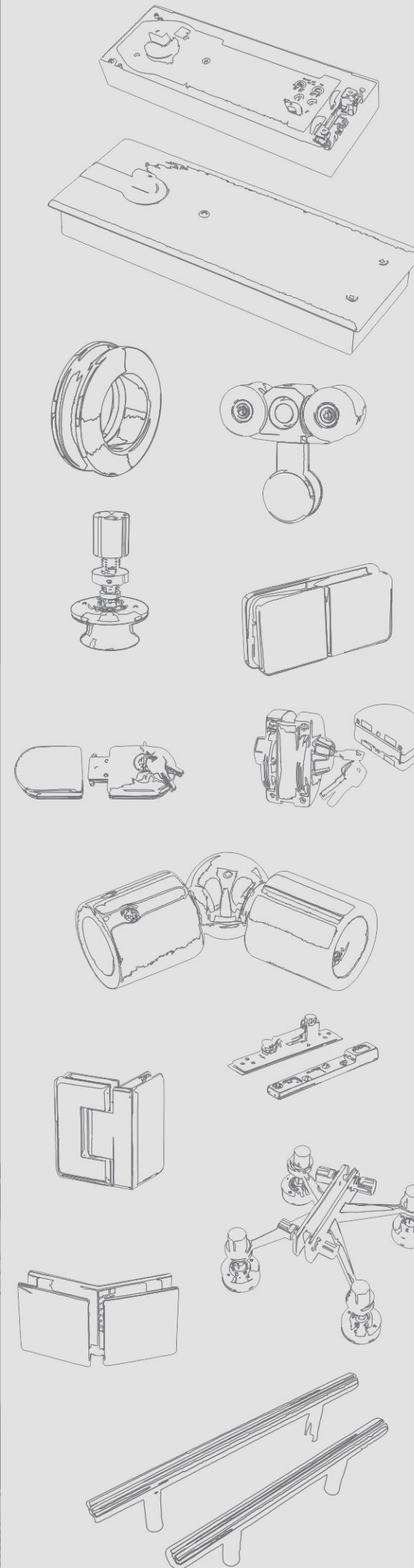
World Wide Exports



Product photos shown in catalogue are only the visual and may differ from original.
 The technical presentation and dimension in illustrations and drawings shown are for reference only.
 Please refer the original product for glass cutout.

Techno Graphics : +91- 9811031678

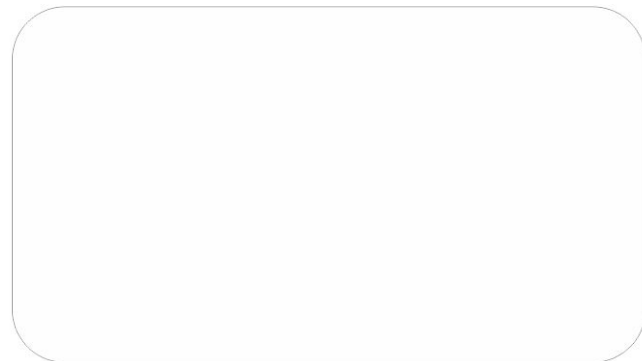
PRODUCT CATALOGUE



De
KLAZOVYN™
Style with Performance
 ARCHITECTURAL HARDWARE



De
KLAZOVYN™
Style with Performance
 ARCHITECTURAL HARDWARE
 World Wide Exports



Product photos shown in catalogue are only the visual and may differ from original.
 The technical presentation and dimension in illustrations and drawings shown are for reference only.
 Please refer the original product for glass cutout.

Techno Graphics : +91- 9811031678

Product Catalogue



De
KLAZOVYN™
Style with Performance
 ARCHITECTURAL HARDWARE

Company Profile

De Klazovyn selected range of Architectural Hardware products provide a wide range of choice and excellent value for money to our customers.

Our dedicated team is always in habit of doing research and development to bring new innovative ideas in respect of glass fittings. Our quality management system comprises of several inspection procedures throughout the manufacturing process. All our products are manufactured with the finest quality of raw material so that we can provide you the best with the better quality and service.

Our products are worldwide appreciated for its performance & quality and being consistently used by many architectural servicing companies across the globe used in commercial and residential purpose.

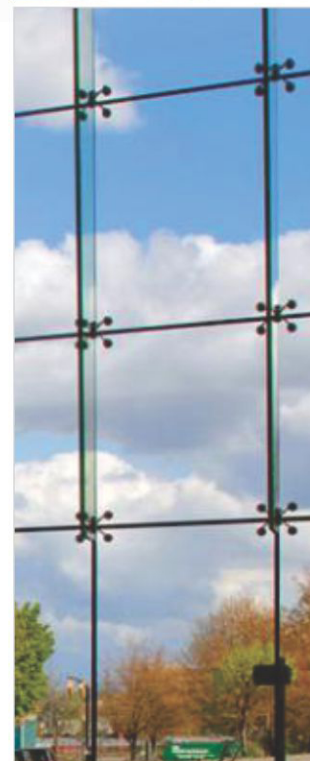


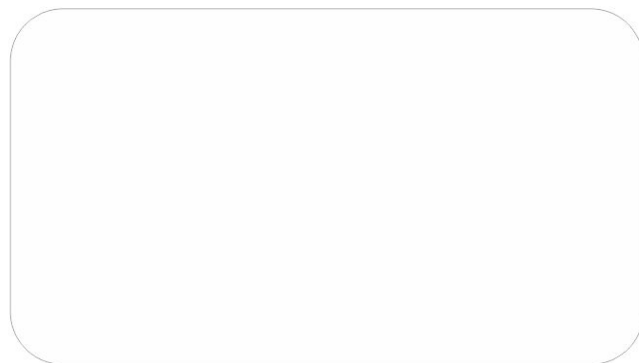
TABLE OF CONTENTS

Floor Spring	Pg. 01-02
Hydraulic Patch Fittings	Pg. 03
Combo Patch Set	Pg. 04
Patch Fittings	Pg. 05-08
Shower Hinges	Pg. 09-10
Glass Connectors	Pg. 11-12
Plastic Profiles	Pg. 13
Shower Knight Head Accessories	Pg. 14
Shower Sliding System	Pg. 15-16
Office Sliding System	Pg. 17-18
Sliding Door System	Pg. 19
Canopy Fittings & Point Fixed Glass Connectors	Pg. 20
Spider Fittings	Pg. 21-24
Fin & Splice Plates	Pg. 25
Articulated Routels	Pg. 26
Door Handles	Pg. 27-29
Locks Without Cutout	Pg. 30
Glass Railing Accessories	Pg. 31-32
Bracket Shelf Holder, Glass Lifter	Pg. 33
Telescopic Channel, Door Knobs & Cabinet Hinges	Pg. 33
Masking Tape & Structural Glazing Tape	Pg. 34
Silicone Sealant	Pg. 35



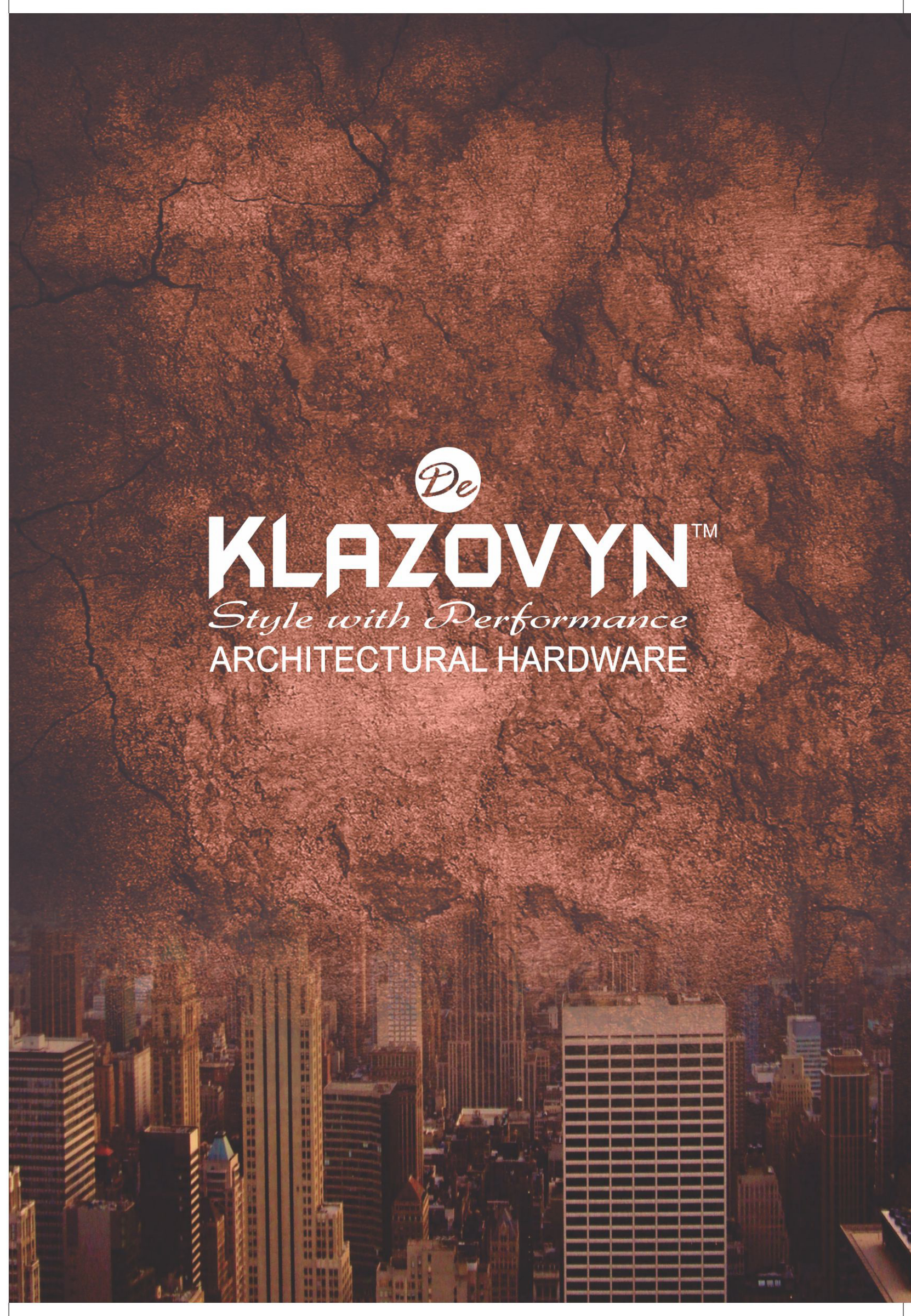
De
KLAZOVYN™
Style with Performance
 ARCHITECTURAL HARDWARE

World Wide Exports



Product photos shown in catalogue are only the visual and may differ from original.
 The technical presentation and dimension in illustrations and drawings shown are for reference only.
 Please refer the original product for glass cutout.

Techno Graphics : +91- 9811031678



De
KLAZOVYN™
Style with Performance
 ARCHITECTURAL HARDWARE