

Leveling elements series, type **BNSH**

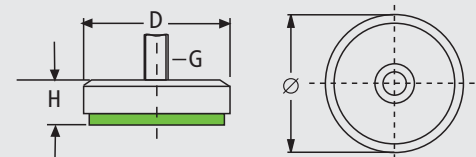
Range of application: BILZ leveling elements BNS are specially suited for the positioning of presses, automatic stamping machines automatic die-casting machines etc.

Examples: BNSH 120/50 means: equipped with type 50.

Application: Medium efficiency of isolation.

BNSH 120/32 means: equipped with type B32.

Application: For highly effective insulations. In particular used on upper floors.



type	BNSH 70/50	max. load daN/pc.	450	type	BNSH 70/32	max. load daN/pc.	250	height H mm	34	D = mm	80	range of adjustment mm	8	G	M 10 x 1,25 x 100/125
	BNSH 80/50	800			BNSH 80/32	500		45		96		12		M 12 x 1,5 x 80/125/150	
	BNSH 120/50	1.600			BNSH 120/32	1.000		54		133		20		M 16 x 1,5 x 100/150/200	
	BNSH 160/50	3.500			BNSH 160/32	2.200		60		175		20		M 20 x 1,5 x 100/125/150/200	
	BNSH 175/50	4.300			BNSH 175/32	2.700		65		200		20		M 20 x 1,5 x 100/125/150/200	
	BNSH 200/50	6.500			BNSH 200/32	3.600		69		227		20		M 24 x 2,0 x 200/150	
	BNSH 250/50	9.000			BNSH 250/32	4.800		69		270		20		M 30 x 2,0 x 150/200	

Leveling Elements, Type Serie **BNSHA**

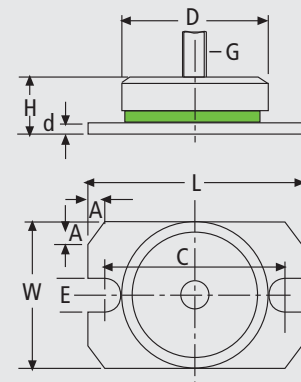
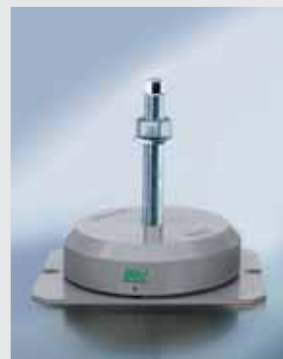
Range of application: BILZ leveling elements BNS are specially suited for the positioning of presses, automatic stamping machines automatic die-casting machines and for all machines which have to be mounted to the floor.

Examples: BNSHA 120/50 means: equipped with type B50.

Application: Medium efficiency of isolation.

BNSHA 120/32 means: equipped with type B32.

Application: For highly effective insulations. In particular used on upper floors.



	L	W	D	C	d	E	A	H	G
BNSHA 80	140	90	96	120	5	13	15	50	M 12 x 1,5 x 80/125/150
BNSHA 120	180	125	133	160	5	13	15	59	M 16 x 1,5 x 100/150/200
BNSHA 160	220	170	175	200	5	16	15	65	M 20 x 1,5 x 100/125/150/200
BNSHA 175	260	185	200	230	8	20	20	73	M 20 x 1,5 x 100/125/150/200
BNSHA 200	300	225	227	270	8	20	20	77	M 24 x 2,0 x 200/150
BNSHA 250	330	265	250	300	8	20	20	77	M 30 x 2,0 x 150/200

Range of adjustment and load capacity same as BNSH.

Leveling elements series of types **BNV** and **BNR**

BNV (square)

Range of application: BILZ leveling elements BNV + BNR are reliable and economic elements preferably used for light to medium weight machines with respective mounting holes in the machine base.

Examples: BNV 110/4 = 4 means: equipped with type B 4!

Application: milling machines, drilling machines, general use!

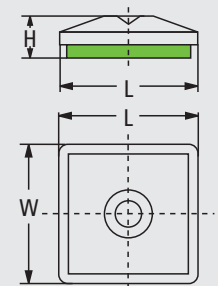
BNV 110/0 = 0 means: equipped with type B 0!

Application: lathes, machining centers etc.!

BNV 110/30-W = 30 W means: equipped with type B 30 W!

Application: soft material for passive isolation – grinders, testing equipment, measuring machines etc.!

Screws and nuts can be supplied upon request (page 15).



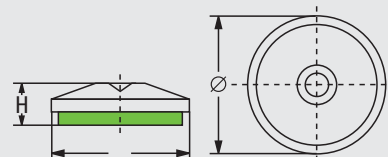
for vibration and structure-borne noise isolation

BNV (square)

type	BNV 50/4	load daN/pc.	150	type	BNV 50/0	load daN/pc.	200	type	BNV 50/30 W	load daN/pc.	65	L mm	60	W mm	60	H mm	22	H mm	22	H mm	30 W	25
	BNV 80/4	450			BNV 80/0	550			BNV 80/30 W	160		85	85	24	24	24	24	27	27	27	27	
	BNV 110/4	1000			BNV 110/0	1200			BNV 110/30 W	400		123	123	27	27	27	27	29	29	29	30	
	BNV 115/4	1000			BNV 115/0	1200			BNV 115/30 W	400		163	88	29	29	29	29	32	32	32	32	
	BNV 150/4	1800			BNV 150/0	2250			BNV 150/30 W	700		147	147	32	32	32	32	35	35	35	35	
	BNV 200/4	3000			BNV 200/0	4000			BNV 200/30 W	1400		265	165	35	35	35	35				38	

BNR (round)

Screws and nuts can be supplied upon request (page 15).



type	BNR 50/4	load daN/pc.	150	type	BNR 50/0	load daN/pc.	150	type	BNR 50/30 W	load daN/pc.	55	Ø mm	60	H mm	21	H mm	21	H mm	30 W	24
	BNR 80/4	400			BNR 80/0	500			BNR 80/30 W	140		85	21	21	21	21	21	24	24	24
	BNR 110/4	800			BNR 110/0	1000			BNR 110/30 W	300		121	26	26	26	26	26	29	29	29
	BNR 150/4	1500			BNR 150/0	1800			BNR 150/30 W	450		162	30	30	30	30	30	33	33	33
	BNR 200/4	2500			BNR 200/0	3500			BNR 200/30 W	1000		213	30	30	30	30	30	33	33	33

Leveling elements series, types BNVS and BNRS with leveling screws (flexibly connected)

Range of application:

Types BNVS + BNRS are used in cases where a firm connection of the element to the machine is desirable! Angle differences are equalized by means of the movable leveling screw.

Examples:

BNVS 110/4 = 4 means: equipped with type B 4!

Application: milling machines, drilling machines!

BNVS 110/0 = 0 means: equipped with type B 0!

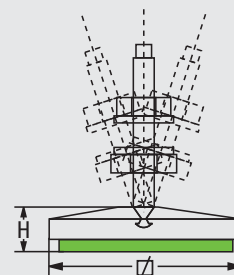
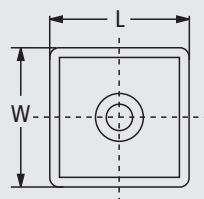
Application: lathes, machining centers etc.!

BNVS 110/30-W = 30 W means: equipped with type B 30 W!

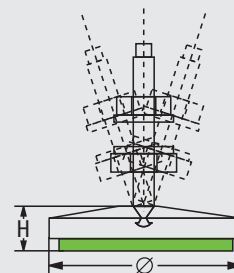
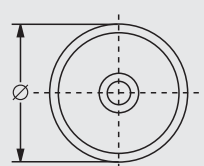
Application: suited for all machines requiring no vibration insulation, anti-slip only.

Important: When ordering please specify the desired size of leveling screw. We stock sizes from M 10 to M 24, in lengths from 70 to 300 mm (page 15).

BNVS (square)



BNRS (round)



BNVS (square)

type	BNVS 50/4	load daN/pc.	150	type	BNVS 50/0	load daN/pc.	200	type	BNVS 50/30 W	load daN/pc.	65	W mm	60	H mm	22	H mm	22	H mm	30 W	25
	BNVS 80/4	450			BNVS 80/0	550			BNVS 80/30 W	160		85	24	24	24	24	27	27	27	27
	BNVS 110/4	1000			BNVS 110/0	1200			BNVS 110/30 W	400		123	27	27	27	27	29	29	29	30
	BNVS 150/4	1800			BNVS 150/0	2250			BNVS 150/30 W	700		147	32	32	32	32	35	35	35	35

BNRS (round)

type	BNRS 50/4	load daN/pc.	100	type	BNRS 50/0	load daN/pc.	150	type	BNRS 50/30 W	load daN/pc.	55	Ø mm	60	H mm	21	H mm	21	H mm	30 W	24
	BNRS 70/4	400			BNRS 70/0	450			BNRS 70/30 W	140		78	28	28	28	28	28	31	31	31
	BNRS 110/4	800			BNRS 110/0	1000			BNRS 110/30 W	300		121	28	28	28	28	31	31	31	31
	BNRS 150/4	1500			BNRS 150/0	1800			BNRS 150/30 W	450		162	30	30	30	30	33	33	33	33

for vibration and structure-borne noise isolation



Leveling Elements, Type Series **BNRV** and **BNRSV** in stainless steel

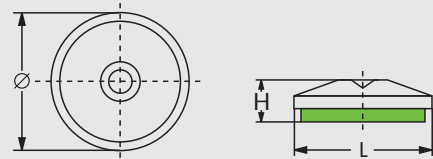
Field of application:

For machines of the food, beverages and tobacco industries.

For machines of the packaging, chemistry and pharmaceutical industries.

Screws and nuts can be supplied on request.

Type series **BNRV** without leveling screw



type	BNRV 50/4	load daN/pc.	150	type	BNRV 50/30-W	load daN/pc.	50	type	BNRV 50/BR 7	load daN/pc.	200	Ø mm	54	H = type 4	mm	25	H = type 30-W	mm	28	H = type BR 7	mm	17
	BNRV 70/4	400			BNRV 70/30-W	150			BNRV 70/BR 7	600		76		28		28		31		20		
	BNRV 110/4	800			BNRV 110/30-W	400			BNRV 110/BR 7	1200		116		29		32		32		21		
	BNRV 150/4	1500			BNRV 150/30-W	800			BNRV 150/BR 7	2500		156		31		34		34		23		

Type **BNRSV** with leveling screw

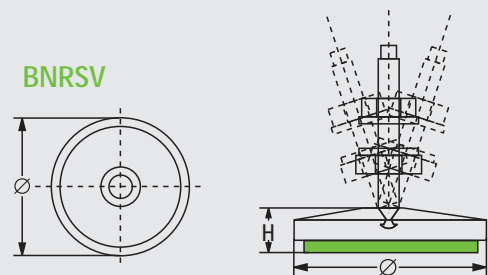
(flexibly connected)

in stainless steel

Examples:

BNRV 110/4 e.g. BNRSV 110/4 = 4 meaning: equipped with medium hard insulating panel. Provides good vibration and structure-borne noise insulation.

BNRV 110/30-W e.g. BNRSV 110/30-W = 30-W meaning: equipped with soft insulating panel. Provides high-quality vibration and structure-borne noise insulation.



BNRV 110/BR 7 e.g. BNRSV 110/BR 7 = BR 7 stands for: equipped with anti-slip panel. No vibration insulation!

type	BNRSV 50/4	load daN/pc.	100	type	BNRSV 50/30-W	load daN/pc.	50	type	BNRSV 50/BR 7	load daN/pc.	200	leveling screw incl. 2 nuts + 2 washers (VA)	mm	M 10 x 70/100/200
	BNRSV 70/4	400			BNRSV 70/30-W	150			BNRSV 70/BR 7	600			M 12 x 100/150/200	
	BNRSV 110/4	800			BNRSV 110/30-W	400			BNRSV 110/BR 7	1200			M 16 x 100/150/200	
	BNRSV 150/4	1500			BNRSV 150/30-W	800			BNRSV 150/BR 7	2500			M 20 x 100/150/200	

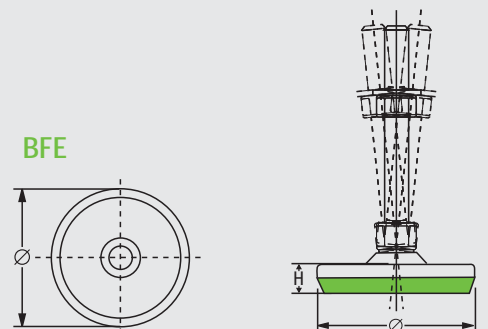
Type **BFE** with leveling screw

(flexibly connected)

in stainless steel

Field of application:

Low cost stainless steel elements for the food, pharmaceutical, the packing and the chemistry industry.



type	BFE 50	Ø mm	50	H 1 mm	14	load daN/pc.	300	leveling screw incl. 2 nuts + 2 washers (VA)	mm	M 8 / 10 x 50/80/100/120/150/180/200
	BFE 80	80			17	850			M 12 x 50/80/100/120/150/180/200	
	BFE 100	100			19	2000			M 16 x 50/80/100/120/150/180/200/250/300	
	BFE 120	125			19	3000			M 20 x 50/80/100/120/150/180/200/250/300	
									M 24 x 50/80/100/120/150/180/200/250/300	
									M 30 x 50/80/100/120/150/180/200/250/300	

(All screws are suitable for all element sizes)