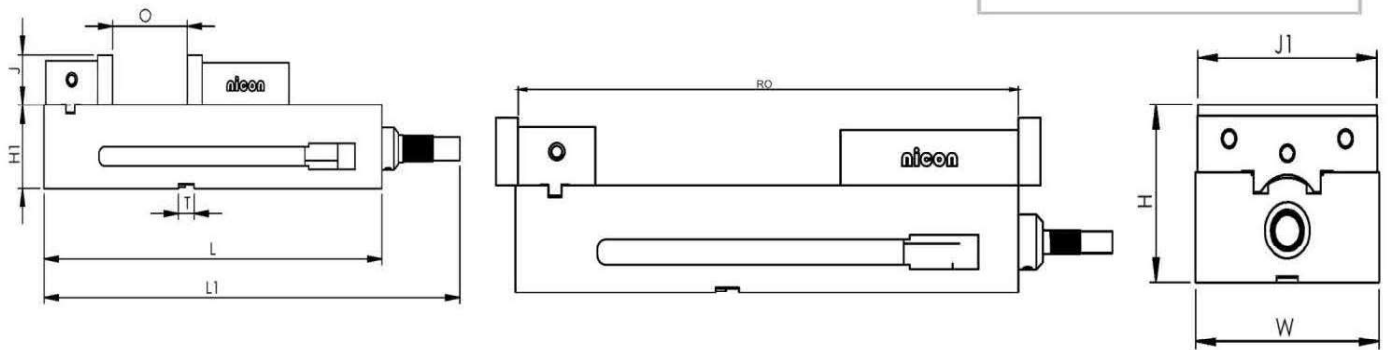
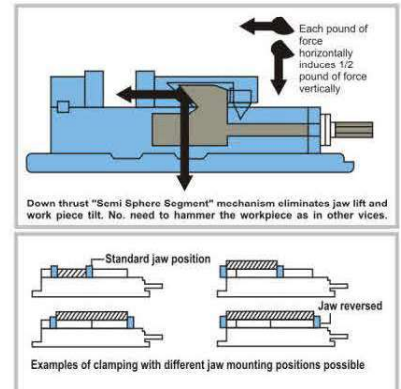


### Key Features

- This vice is the earliest vise that can be used vertical or on either side. Enhanced body structure reduces the deflection in operation while the vise mounted vertical or horizontal.
- The sealed bearing system induces clamping pressure and increases bearing life.
- Accuracy in parallelism & squareness within 0.02/100 mm.
- Hardened bed and jaws maintain accuracy for a long time.
- Ductile Cast iron body.
- No workpiece tilt after clamping
- All parts interchangeable and available as spares.
- Tenons and tenon slots provided for effortless truing of vice on machine table.
- The high clamping force can be achieved by effortless handle movement which eliminate hammering on handle.



### DIMENSIONS IN MM

MODEL NO.	L	J1	H	L1	H1	O	RO	J	J1	T	Weight in Kgs.	Clamping pressure in kgs.
CMV150	390	152	117	455	75	150	390	50	150	18	32	3000

### Optional Jaws

