

FALDIC **ALPHA5**





SIMPLE & SMART

# ALPHA5

## Line of products of ALPHA5 Series

### Servo Amplifier

| Model   | Command interface |       |            |        | Control mode |          |       |        | Power supply                           | Capacity                    | Type                         | Applicable motor series |
|---|-------------------|-------|------------|--------|--------------|----------|-------|--------|--|-----------------------------|------------------------------|-------------------------|
|   | Pulse/analog      | Di/Do | Modbus-RTU | SX bus | Positioning  | Position | Speed | Torque |  |                             |                              |                         |
| <br>General-purpose interface        | VV type           | ●     | ●          | ●      |              |          |       |        | Single-phase or 3-phase 200 to 240 VAC | 0.05 to 0.75kW              | RYT***□5-VV2                 | GYS<br>GYC<br>GYG       |
|   |                   | ●     | ●          | ●      | ●            | ●        | ●     | ●      | 3-phase 200 to 240 VAC                 | 0.85 to 5.0kW               |                              |                         |
|   |                   |       |            |        |              |          |       |        |  | Single-phase 100 to 120 VAC | 0.05 to 0.375kW              | RYT***□5-VV6            |
| <br>High speed serial bus (SX bus) | VS type           |       |            |        | ●            |          |       |        | Single-phase or 3-phase 200 to 240 VAC | 0.05 to 0.75kW              | RYT***□5-VS2<br>RYT***□5-LS2 | GYS<br>GYC<br>GYG       |
|   |                   |       |            |        |              |          |       |        | 3-phase 200 to 240 VAC                 | 0.85 to 5.0kW               |                              |                         |
|   | LS type           |       |            |        | ●            | ●        | ●     | ●      | Single-phase 100 to 120 VAC            | 0.05 to 0.375kW             | RYT***□5-VS6<br>RYT***□5-LS6 | GYS                     |





## CONTENTS

|   |    |
|---|----|
| Features .....                          | 2  |
| Explanation of Model Codes .....        | 9  |
| Specifications of Servo Amplifier ..... | 10 |
| Connection Diagram (Reference) .....    | 14 |
| Specifications of Servomotor .....      | 16 |
| Option/Peripheral Equipment .....       | 22 |

|                           |    |
|---------------------------|----|
| External Dimensions ..... | 24 |
| Model List .....          | 33 |
| Service Network .....     | 37 |
| Product Warranty .....    | 38 |
| Reference Material .....  | 39 |

## Next generation servo system for ever-evolving machines

### Servomotor

| Model  | Rated speed (max. speed)   | Power supply | Rated output capacity          | Servomotor type |            | Protective construction | Encoder        | Type                |
|--|--|--------------|--------------------------------|-----------------|------------|-------------------------|----------------|---------------------|
|  |  |              |                                | Without brake   | With brake |                         |                |                     |
| <br><b>GYS motor</b><br>Ultra-low inertia | 3000r/min<br>(0.75kW or less:<br>6000r/min<br>1.0kW or more:<br>5000r/min) | 200V series  | 11 types<br>0.05 to 5.0kW      | ●               | ●          | IP67 *1                 | 18-bit ABS/INC | GYS***D5-HB2(-B) *2 |
|  |  |              |                                | ●               | ●          |                         | 20-bit INC     | GYS***D5-RB2(-B) *2 |
| <br><b>GYC motor</b><br>Low inertia     | 3000r/min<br>(0.75kW or less:<br>6000r/min<br>1.0kW or more:<br>5000r/min) | 200V series  | 7 types<br>0.1 to 2.0kW        | ●               | ●          | IP67 *1                 | 18-bit ABS/INC | GYC***D5-HB2(-B) *2 |
|  |  |              |                                | ●               | ●          |                         | 20-bit INC     | GYC***D5-RB2(-B) *2 |
| <br><b>GYG motor</b><br>Middle inertia  | 2000r/min<br>(3000r/min)   | 200V series  | 5 types<br>0.5 to 2.0kW        | ●               | ●          | IP67 *1                 | 18-bit ABS/INC | GYG***C5-HB2(-B) *2 |
|  |  |              |                                | ●               | ●          |                         | 20-bit INC     | GYG***C5-RB2(-B) *2 |
| <br><b>GYG motor</b><br>Middle inertia  | 1500r/min<br>(3000r/min)   | 200V series  | 3 types<br>0.5, 0.85,<br>1.3kW | ●               | ●          | IP67 *1                 | 18-bit ABS/INC | GYG***B5-HB2(-B) *2 |
|  |  |              |                                | ●               | ●          |                         | 20-bit INC     | GYG***B5-RB2(-B) *2 |

\*1: Except for shaft-through part (and connectors for GYS and GYC motors of 0.75kW or less).

\*2: Models with a brake has "-B" at the end.

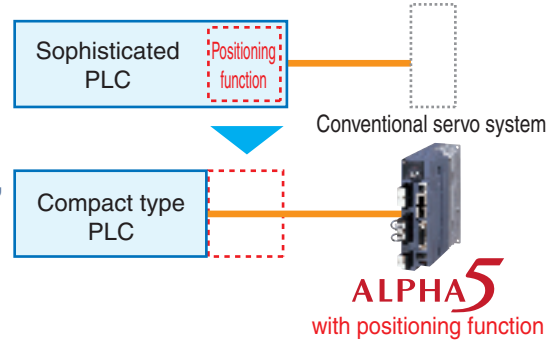
- Features
- Explanation of Model Codes
- Specifications of Servo Amplifier
- Connection Diagram (Reference)
- Specifications of Servomotor
- Option/Peripheral Equipment
- External Dimensions
- Model List
- Service Network
- Product Warranty

# Compatibility with general-purpose communication: VV type

## Simple! PTP positioning

Positioning function is embedded as standard in general purpose interface unit "ALPHA5 VV".

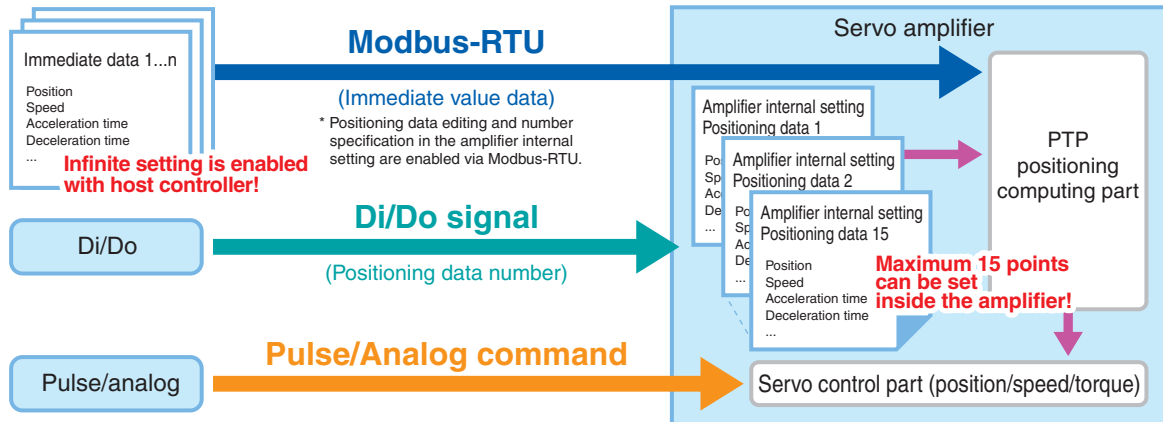
As the ALPHA5 VV type is the standard model, external positioning unit or dedicated items for positioning are not required.



## 3 in 1 !

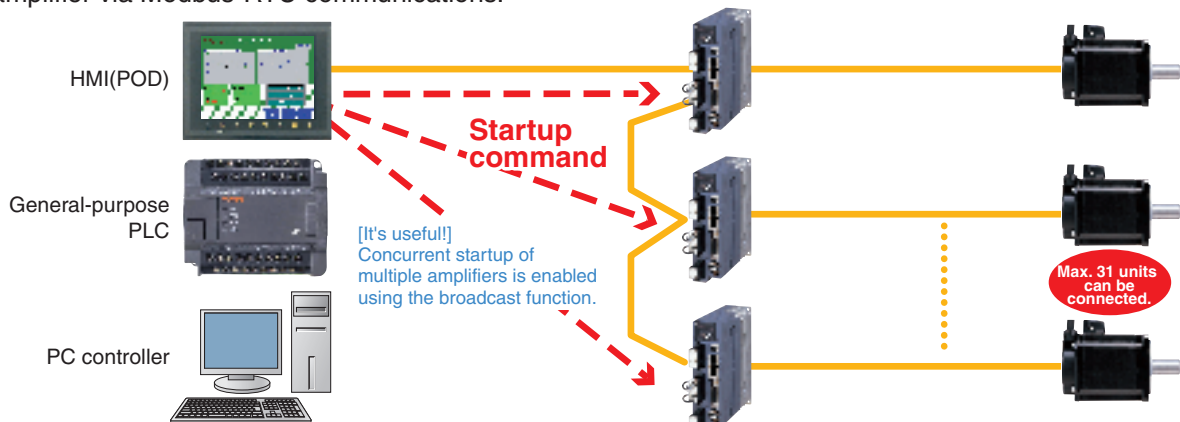
Following operations are enabled by one unit:

- Positioning via Modbus-RTU communications (immediate value data)
- Positioning via Di/Do signal (positioning data 15 points\*)
- Controlling positions, speeds and torques via pulse/analog input



## Simple connection! Modbus-RTU communications

Operations such as PTP positioning operation, parameter edit, and various monitoring are enabled. All you need to do is connect HMI (POD), general-purpose PLC, or PC controller directly to servo amplifier via Modbus-RTU communications.

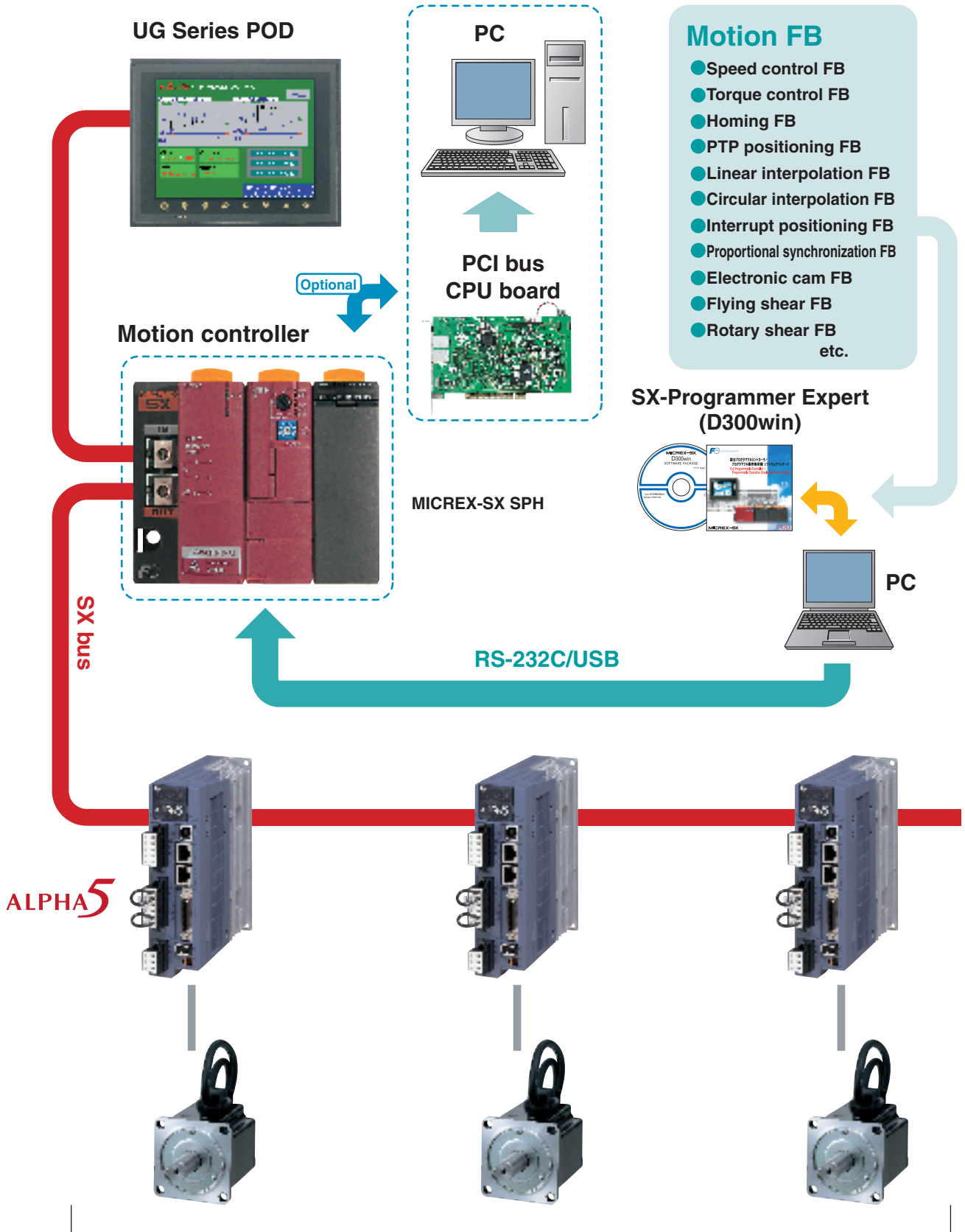


Other makers' products compatible with Modbus-RTU

Any HMI (POD), general-purpose PLC, or PC controller compatible with Modbus-RTU can be connected to servo amplifier easily regardless of maker.

## Compatibility with SX bus: VS type and LS type

Sophisticated motion control system that has synchronization and interpolation controls can be configured easily.



Total extension 25m (maximum), 32 connection units (maximum)

## Fast and accurate positioning is realized.

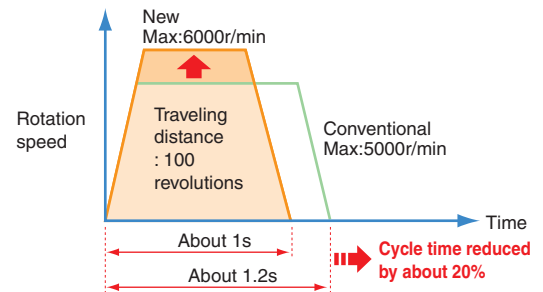
**New high speed servo control engine**  
Frequency response 1500Hz

**Increased motor rotation speed**  
Max. rotation speed 6000r/min

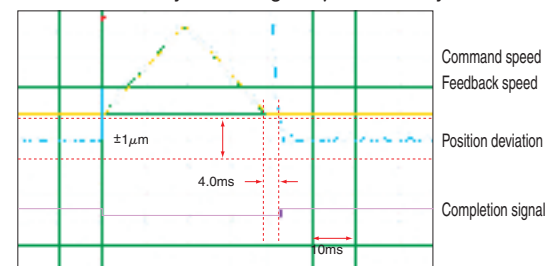
**Fine resolution encoder**  
18-bit absolute/incremental 262,144 pulses  
20-bit incremental 1,048,576 pulses

High performance frequency response (1500Hz), high rotation speed (6000r/min) and high resolution encoder reduce the cycle time and make faster and more accurate positioning and settling possible.

■ Cycle time reduction 1.2s → 1s



■ Time necessary to settling to 1 $\mu$ m accuracy 4ms

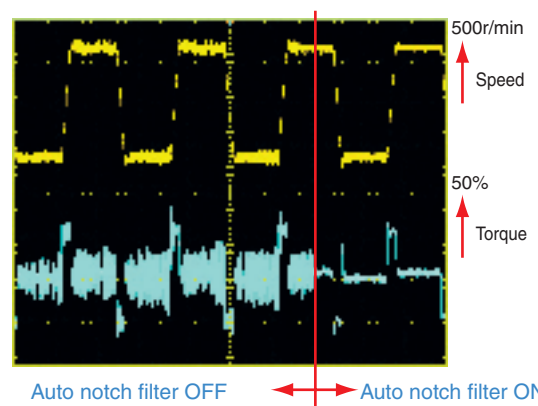
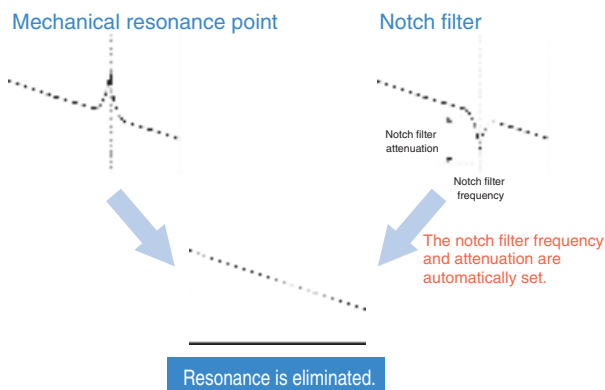


1/10000 rotation accuracy with a 10mm ball screw = 1 $\mu$ m

## New control functions

### New notch filter (auto notch filter)

The notch filter is set automatically upon detection of mechanical resonance. Because detection and calculation are always conducted while the auto notch filter remains turned on, resonance frequencies changing by time are effectively filtered.



### Homing by hit-to-stop

Wire saving can be achieved with elimination of the limit switch and over travel signal. Moreover, several homing functions allows homing program creation to be simplified only by combining the servo parameters. Creating complicated program of homing in the host controller is no more necessary.

### Motor stop method setting is enabled

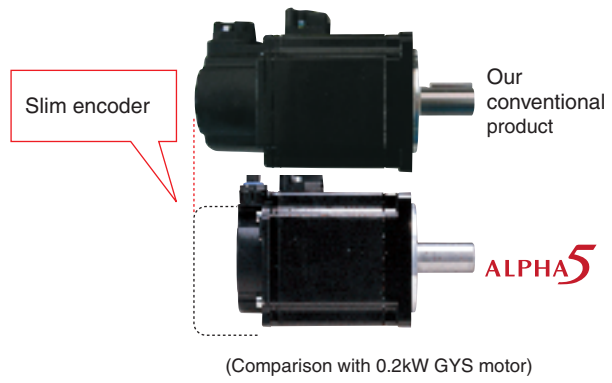
- Alarm occurrence
  - Main power supply is OFF.
  - Servo ON signal is OFF.
- Selection among rapid deceleration stop, DB stop, and coast-to-stop is enabled under the above conditions. Since limiting output torque at desired value is possible even if rapid deceleration stops is selected, impact shock to the machine can be reduced.

\* However, it is enabled when the control power supply is input.

## Reduced space

### Size reduction of servomotor and servo amplifier

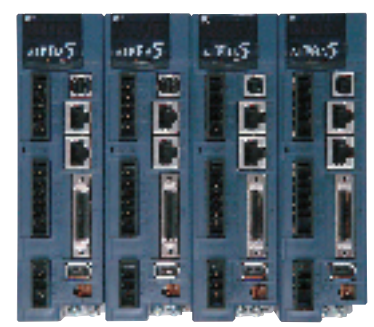
- Servo amplifier  
The installation area is reduced by 25 to 30% when compared with our conventional model.
- Servomotor  
The overall length is reduced by about 15% when compared with our conventional model.



### Close installation

The servo amplifier can be installed side by side without a clearance. The installation space in the control panel of the machine is reduced.

\* 80% ED rating in case of close installation  
There is no limitation if 5mm or a larger clearance is placed.



Close installation can be made even if the ABS backup battery is installed. The battery can be replaced without difficulty while the servo amplifier is left installed.



The designed life time of the battery is about 35000 hours. (Retention time with power turned off)



## Long life design

The designed service lives of various parts of the servo amplifier are extended.

- Electrolytic capacitor: 10 years
- Cooling fan: 10 years

\* Operating conditions  
 - Ambient temperature: Average 30°C/year  
 - Load factor: Within 80%  
 - Operation ratio: Within 20 hours/day

## Compliance with various standards

### Compliance with CE marking and UL/cUL

The standard model complies with CE marking and UL/cUL.



### Compliance with RoHS directive

The standard model complies with EU's specific hazardous material limitation (RoHS) directive. The servo system is environmentally friendly because use of six hazardous materials is limited.  
 <Six hazardous materials>  
 Lead, mercury, cadmium, hexavalent chromium, polybrominated biphenyl (PBB), polybrominated diphenylether (PBDE)

## Environmental resistance

### IP67 (servomotor)

The standard servomotor model is compatible with IP67\* and it can be used in the environment susceptible to water or dust splashes.

\* Except for shaft-through part and connectors

## Compatibility

### Compatibility with FALDIC- $\alpha$ , - $\beta$ and -W motors

Because compatibility with FALDIC- $\alpha$ , - $\beta$  and -W Series servomotors is assured, the new amplifier meets requirements for replacement of existing products flexibly. (Compatibility with individual products is planned.)



# Improved usability: PC Loader

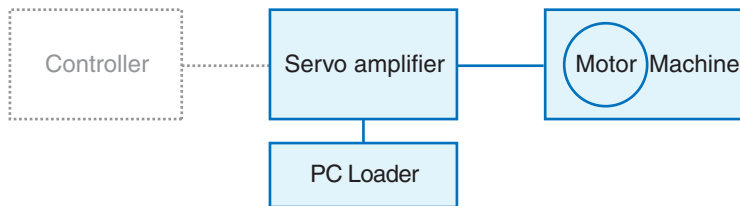
## USB connection

The amplifier can be connected to PC using a commercially available USB cable (B-type).

## Simple setup

### - Easy tuning and profile operation

Because the servo can be adjusted for the machine even if the controller program is not completed, the machine setup time is substantially reduced.



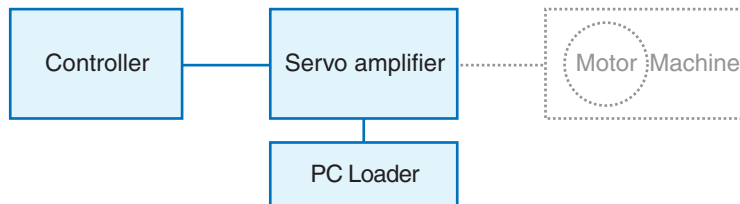
Easy tuning data entry screen



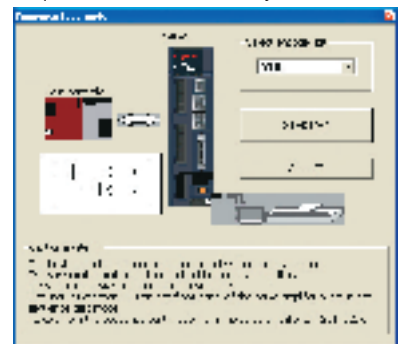
Up to 25 reciprocal motions of the servomotor are conducted while the gain is automatically adjusted.

### - Sequence test mode

The controller program can run even if the machine is not completed. The efficiency of program debugging is improved.



Sequence test mode data entry screen



The sequence of the host controller can be tested even if the servomotor is not connected.

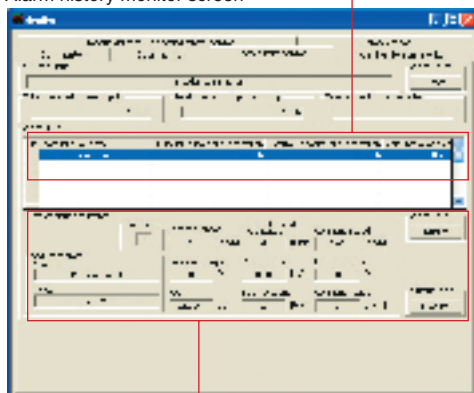
## Enriched maintenance functions

### - Functions associated with alarm

When an alarm occurs, data such as the speed and torque at alarm occurrence is displayed as well as the description of the alarm. Accurate analyses into the cause of the alarm are possible.

Description of the alarm and various cumulative operation times are displayed.

Alarm history monitor screen



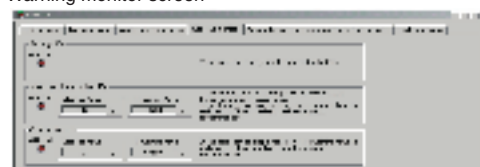
Each piece of data at alarm occurrence is displayed.

### - Life warning function

The life of consumable parts of the servo amplifier is calculated.

- Battery life warning
- Main circuit capacity life warning
- Cooling fan life warning

Warning monitor screen



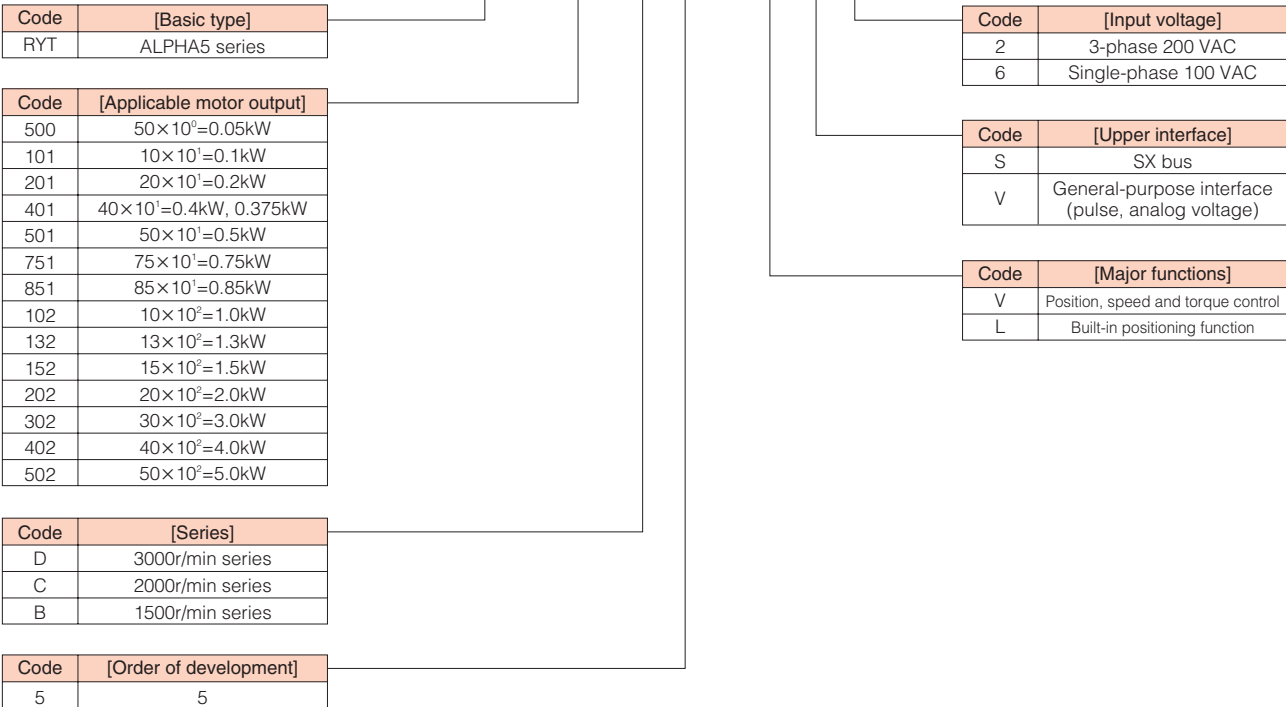
The warning can be issued in a sequence output signal or displayed on the keypad.



## Explanation of Model Codes

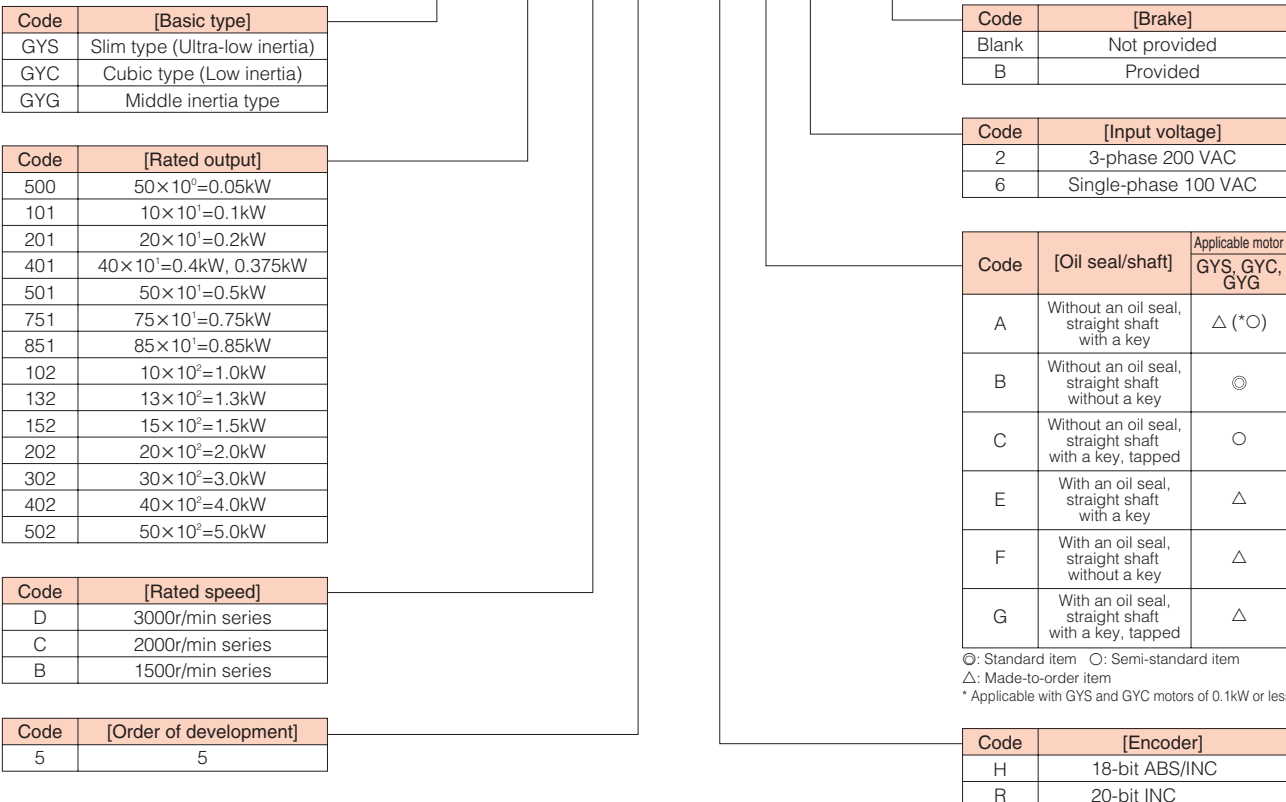
### Servo amplifier

**R Y T 5 0 0 D 5 - V S 2**



### Servomotor

**G Y S 5 0 0 D 5 - H B 2 - B**



# Specifications of Servo Amplifier

## Common specifications

| Applicable motor rated speed                        |                               | 3000r/min   |   |                           |                     | 3000r/min   |         |                           |         |         |         |     |     |                           |     | 2000r/min             |                           |         |         |                       | 1500r/min |         |         |     |     |  |
|---|-------------------------------|---|---|---------------------------|---------------------|---|---------|---------------------------|---------|---------|---------|-----|-----|---------------------------|-----|-----------------------|---------------------------|---------|---------|-----------------------|-----------|---------|---------|-----|-----|--|
| Applicable motor output [kW]                        |                               | 0.05  | 0.1   | 0.2                       | 0.375               | 0.05  | 0.1     | 0.2                       | 0.4     | 0.75    | 1.0     | 1.5 | 2.0 | 3.0                       | 4.0 | 5.0                   | 0.5                       | 0.75    | 1.0     | 1.5                   | 2.0       | 0.5     | 0.85    | 1.3 |     |  |
| Amplifier type<br>RYT□□□                            | D5-△△○                        | 500   | 101   | 201                       | 401                 | 500   | 101     | 201                       | 401     | 751     | 102     | 152 | 202 | 302                       | 402 | 502                   |                           |         |         |                       |           |         |         |     |     |  |
|   | C5-△△2                        |   |   |                           |                     |   |         |                           |         |         |         |     |     |                           |     |                       | 501                       | 751     | 102     | 152                   | 202       |         |         |     |     |  |
|   | B5-△△2                        |   |   |                           |                     |   |         |                           |         |         |         |     |     |                           |     |                       |                           |         |         |                       |           | 501     | 851     | 132 |     |  |
| Outer frame number                                  |                               | Frame 1   | Frame 2   | Frame 3                   |                     | Frame 1   | Frame 2 | Frame 3                   | Frame 4 | Frame 5 | Frame 6 |     |     |                           |     |                       | Frame 3                   | Frame 4 | Frame 5 |                       | Frame 3   | Frame 4 | Frame 5 |     |     |  |
| Mass [kg]   |                               | 0.9   | 1.1   | 1.3                       |                     | 0.9   | 1.1     | 1.3                       | 1.5     | 2.6     | 3.8     |     |     |                           |     |                       | 1.3                       | 1.5     | 2.9     |                       | 1.3       | 1.5     | 2.9     |     |     |  |
| Protective construction / cooling                   |                               | Open / self-cooling   |   | Open / forced air cooling | Open / self-cooling |   |         | Open / forced air cooling |         |         |         |     |     | Open / forced air cooling |     |                       | Open / forced air cooling |         |         |                       |           |         |         |     |     |  |
| Power supply  | Main power supply             | Single-phase  |   |                           |                     | Single-phase, 3-phase                               |         |                           |         | 3-phase |         |     |     |                           |     | Single-phase, 3-phase |                           | 3-phase |         | Single-phase, 3-phase |           | 3-phase |         |     |     |  |
|   | Voltage frequency             | AC100 to 120V 50/60Hz   |   |                           |                     | AC200 to 240V 50/60Hz                               |         |                           |         |         |         |     |     |                           |     |                       |                           |         |         |                       |           |         |         |     |     |  |
|   | Allowable voltage fluctuation | AC85 to 132V  |   |                           |                     | 3-phase: AC170 to 262V, Single-phase: AC190 to 262V |         |                           |         |         |         |     |     |                           |     |                       |                           |         |         |                       |           |         |         |     |     |  |
| Control power supply                                | Phase                         | Single-phase  |   |                           |                     |   |         |                           |         |         |         |     |     |                           |     |                       |                           |         |         |                       |           |         |         |     |     |  |
|   | Voltage frequency             | AC100 to 120V 50/60Hz   |   |                           |                     | AC200 to 240V 50/60Hz                               |         |                           |         |         |         |     |     |                           |     |                       |                           |         |         |                       |           |         |         |     |     |  |
|   | Allowable voltage fluctuation | AC85 to 132V  |   |                           |                     | AC170 to 262V                                       |         |                           |         |         |         |     |     |                           |     |                       |                           |         |         |                       |           |         |         |     |     |  |
| Control system                                      |                               | IGBT PWM sinusoidal PWM drive   |   |                           |                     |   |         |                           |         |         |         |     |     |                           |     |                       |                           |         |         |                       |           |         |         |     |     |  |
| Max voltage for regenerative resistance [W]         | Built-in resistor             | -   | -   | 8                         | 20                  | -   | -       | -                         | 8       | 20      | 20      | 20  | 30  | 30                        | 60  | 60                    | 20                        | 20      | 20      | 30                    | 30        | 20      | 20      | 30  | 30  |  |
|   | External resistor *1          | 17  | 17  | 25                        | 25                  | 17  | 17      | 17                        | 17      | 50      | 50      | 50  | 260 | 260                       | 300 | 300                   | 50                        | 50      | 50      | 260                   | 260       | 50      | 50      | 260 | 260 |  |
| Dynamic brake                                       |                               | Built-in *2   |   |                           |                     |   |         |                           |         |         |         |     |     |                           |     |                       |                           |         |         |                       |           |         |         |     |     |  |
| Feedback  |                               | 18-bit serial encoder (absolute/incremental), 20-bit serial encoder (incremental)   |   |                           |                     |   |         |                           |         |         |         |     |     |                           |     |                       |                           |         |         |                       |           |         |         |     |     |  |
| Overload capability                                 |                               | 300% / 3 sec.   |   |                           |                     |   |         |                           |         |         |         |     |     |                           |     |                       |                           |         |         |                       |           |         |         |     |     |  |
| Speed fluctuation ratio                             | Load fluctuation              | Within ±1 r/min (load fluctuation 0 to 100%)  |   |                           |                     |   |         |                           |         |         |         |     |     |                           |     |                       |                           |         |         |                       |           |         |         |     |     |  |
|   | Power supply fluctuation      | Within ±1 r/min (power supply fluctuation -10 to +10%)  |   |                           |                     |   |         |                           |         |         |         |     |     |                           |     |                       |                           |         |         |                       |           |         |         |     |     |  |
|   | Temperature fluctuation       | Within ±0.2% (25 ±10°C at rated operation speed and analog input operation)   |   |                           |                     |   |         |                           |         |         |         |     |     |                           |     |                       |                           |         |         |                       |           |         |         |     |     |  |
| Capability and function                             | VV type                       | Speed control function  | Closed loop control with speed adjuster, acceleration/deceleration time setting, manual feed rate/max. rotation speed, speed command zero clamp, etc. |                           |                     |   |         |                           |         |         |         |     |     |                           |     |                       |                           |         |         |                       |           |         |         |     |     |  |
|   |                               | Position control function   | 15-point (position, speed, acceleration/deceleration time setting, timer, M code and various statuses)  |                           |                     |   |         |                           |         |         |         |     |     |                           |     |                       |                           |         |         |                       |           |         |         |     |     |  |
|   |                               | Torque control function   | Closed loop control with position adjuster, electronic gear, output pulse setting, feed forward, homing, interrupt positioning, auto startup, etc.    |                           |                     |   |         |                           |         |         |         |     |     |                           |     |                       |                           |         |         |                       |           |         |         |     |     |  |
|   |                               | Accessory functions   | Closed loop control with current adjuster (proportional open loop control of current and torque), torque limit, speed limit at torque control, etc.   |                           |                     |   |         |                           |         |         |         |     |     |                           |     |                       |                           |         |         |                       |           |         |         |     |     |  |
|   | VS type                       | Speed control function  | Easy tuning, profile operation, sequence test mode, auto tuning, auto notch filter, vibration suppressing online learning, etc.                       |                           |                     |   |         |                           |         |         |         |     |     |                           |     |                       |                           |         |         |                       |           |         |         |     |     |  |
|   |                               | Position control function   | Closed loop control with speed adjuster, acceleration/deceleration time setting, manual feed rate/max. rotation speed, etc.                           |                           |                     |   |         |                           |         |         |         |     |     |                           |     |                       |                           |         |         |                       |           |         |         |     |     |  |
|   |                               | Torque control function   | Closed loop control with position adjuster, electronic gear, output pulse setting, feed forward, homing, interrupt positioning, etc.                  |                           |                     |   |         |                           |         |         |         |     |     |                           |     |                       |                           |         |         |                       |           |         |         |     |     |  |
|   |                               | Accessory functions   | Closed loop control with current adjuster (proportional open loop control of current and torque), torque limit, speed limit at torque control, etc.   |                           |                     |   |         |                           |         |         |         |     |     |                           |     |                       |                           |         |         |                       |           |         |         |     |     |  |
|   | LS type                       | Position control function   | Easy tuning, profile operation, sequence test mode, auto tuning, auto notch filter, vibration suppressing online learning, etc.                       |                           |                     |   |         |                           |         |         |         |     |     |                           |     |                       |                           |         |         |                       |           |         |         |     |     |  |
|   |                               | Number of position data sets  | Automatic startup, manual operation, pulse train, homing  |                           |                     |   |         |                           |         |         |         |     |     |                           |     |                       |                           |         |         |                       |           |         |         |     |     |  |
|   |                               | Max positioning value   | 99-point (position, speed, timer, M code and various statuses)  |                           |                     |   |         |                           |         |         |         |     |     |                           |     |                       |                           |         |         |                       |           |         |         |     |     |  |
|   |                               | Positioning method  | ±2,000,000,000  |                           |                     |   |         |                           |         |         |         |     |     |                           |     |                       |                           |         |         |                       |           |         |         |     |     |  |
| Protective function (Alarm indication)              |                               | Absolute / incremental  |   |                           |                     |   |         |                           |         |         |         |     |     |                           |     |                       |                           |         |         |                       |           |         |         |     |     |  |
| Operation and display section of main body (keypad) |                               | Easy tuning, profile operation, sequence test mode, auto tuning, auto notch filter, vibration suppressing online learning, etc.   |   |                           |                     |   |         |                           |         |         |         |     |     |                           |     |                       |                           |         |         |                       |           |         |         |     |     |  |
| Working conditions                                  | Installation place            | Overcurrent(oc1, oc2), Overspeed(oS), Control power undervoltage(Lvc), Overvoltage(Hv), Encoder trouble(Et1, Et2), Circuit trouble(ct), Memory Error(dE), Fuse Broken(Fb), Motor Combination Error(cE), Braking transistor overheat(tH), Encoder Communication error(Ec), CONT(Control signal) Error(ctE), Overload(oL1, oL2), Main power undervoltage(LvP), Braking resistor overheat(rH1, rH2, rH3), Deviation overflow(oF), Amplifier overheat(AH), Encoder overheat(EH), Absolute data Lost(dL1, dL2, dL3), Multi-turn data over flow(AF), Initial Error(IE), Command pulse Frequency Error(HF) |   |                           |                     |   |         |                           |         |         |         |     |     |                           |     |                       |                           |         |         |                       |           |         |         |     |     |  |
|   | Temperature/humidity          | 6-digit alphanumeric display with 7-segment LED   |   |                           |                     |   |         |                           |         |         |         |     |     |                           |     |                       |                           |         |         |                       |           |         |         |     |     |  |
|   | Vibration / shock resistance  | 4 operation switches  |   |                           |                     |   |         |                           |         |         |         |     |     |                           |     |                       |                           |         |         |                       |           |         |         |     |     |  |
| Standards   |                               | Analog monitor connector (CN6), status indication LED   |   |                           |                     |   |         |                           |         |         |         |     |     |                           |     |                       |                           |         |         |                       |           |         |         |     |     |  |
| Working conditions                                  | Installation place            | Indoors (free from direct sunshine), altitude ≤ 1000m, free from corrosive and flammable gases, oil mist and dust   |   |                           |                     |   |         |                           |         |         |         |     |     |                           |     |                       |                           |         |         |                       |           |         |         |     |     |  |
|   | Temperature/humidity          | In case of compliance with CE marking   |   |                           |                     |   |         |                           |         |         |         |     |     |                           |     |                       |                           |         |         |                       |           |         |         |     |     |  |
|   | Vibration / shock resistance  | Models compliant with EU directive: pollution degree 2, over voltage category III   |   |                           |                     |   |         |                           |         |         |         |     |     |                           |     |                       |                           |         |         |                       |           |         |         |     |     |  |
| Standards   |                               | -10 to 55°C/10 to 90%RH (without condensation)  |   |                           |                     |   |         |                           |         |         |         |     |     |                           |     |                       |                           |         |         |                       |           |         |         |     |     |  |
| Standards   |                               | 4.9m/s <sup>2</sup> /19.6m/s <sup>2</sup>   |   |                           |                     |   |         |                           |         |         |         |     |     |                           |     |                       |                           |         |         |                       |           |         |         |     |     |  |
| Standards   |                               | UL/cUL (UL508c), CE marking (low voltage directive EN61800-5-1) (acquisition being applied for model of 2.0kW or more), RoHS directive  |   |                           |                     |   |         |                           |         |         |         |     |     |                           |     |                       |                           |         |         |                       |           |         |         |     |     |  |

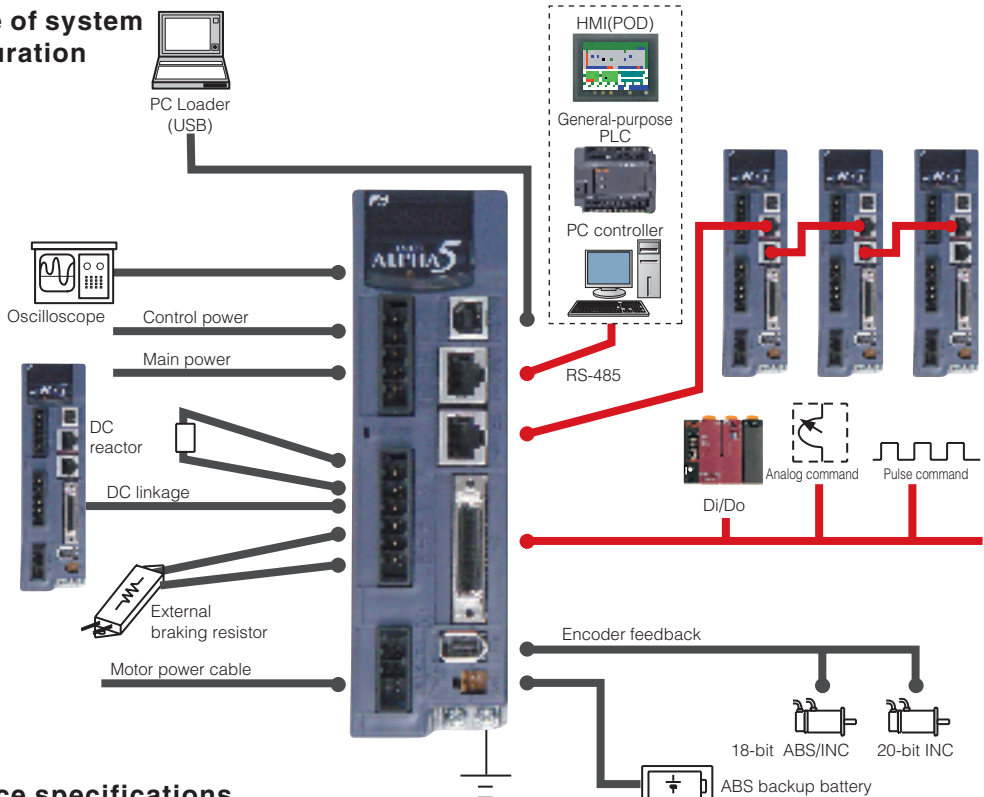
\*1: The figure is data determined when the amplifier is connected with an external resistor dedicated for each model.

\*2: We will accept custom orders for models without dynamic brake.

## Specifications of Servo Amplifier

### VV Type

#### Outline of system configuration



#### Interface specifications

| Item                    | Specifications                                       |                            |
|-------------------------|--|----------------------------|
| Command interface       | Positioning function                                 | RS-485 (Modbus-RTU), Di/Do |
|                         | Position control                                     | Pulse input                |
|                         | Speed control  | Analog voltage input       |
|                         | Torque control                                       | Analog voltage input       |
| Communication interface | Two RS-485 ports (for parameter editing and monitor) |                            |
|                         | Our original protocol Modbus-RTU                     |                            |
|                         | 9600/19200/38400 bps, connection of max. 31 axes     |                            |

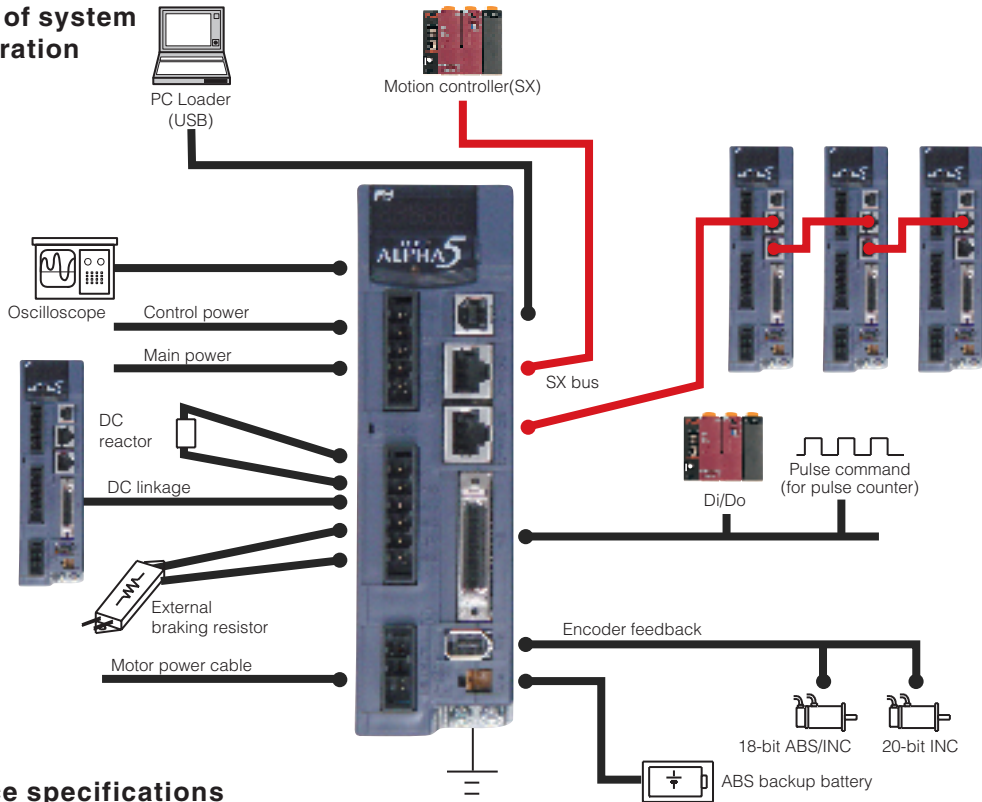
| Terminal name                 | Symbol                  | Specifications  |
|-------------------------------|-------------------------|---|
| Pulse input                   | CA,*CA<br>CB,*CB        | Pulse input under position control<br>Differential input: max. input frequency $\leq 1.0\text{MHz}$<br>Open collector input: max. input frequency $\leq 200\text{kHz}$<br>(in case of signals at 90-degree phase difference, the above relationship is true for the four-fold frequency.)<br>Pulse format    Command pulse/Command direction<br>Forward/Reverse pulse<br>Two signals at 90-degree phase difference    } Select one of these formats with a parameter setting. |
|                               | PPI                     |   |
| Pulse output                  | FFA,*FFA<br>FFB,*FFB    | Differential output: max. output frequency $\leq 1\text{MHz}$<br>Two signals at 90-degree phase difference<br>Pulse output count setting n pulses/rev: $16 \leq n \leq 262144$  |
|                               | FFZ,*FFZ                |   |
|                               | FZ                      | Open collector output: 1 pulse/rev  |
|                               | M5                      | Reference potential (0V)  |
| Analog monitor voltage output | MON1<br>MON2            | 0V to $\pm 10\text{VDC}$<br>Resolution: 14bits / $\pm$ full scale<br>The output data depends on internal parameter.   |
|                               | M5                      |   |
|                               | Common for sequence I/O | COMIN<br>COMOUT   |
| Sequence input signal         | CONT1 to CONT8          | ON upon short circuit across contacts, OFF upon open circuit<br>12VDC-10% to 24VDC+10%<br>Current consumption 20mA (per contact; used at 24VDC circuit voltage)<br>Function of each signal depends on parameter setting<br>Compatible with both sink and source input methods   |
| Sequence output signal        | OUT1 to OUT5            | Short circuit upon ON, open circuit upon OFF<br>30VDC / 50mA (max.)<br>Function of each signal depends on parameter setting<br>Compatible with both sink and source output methods  |
| Analog voltage input          | VREF                    | Speed command input for speed control<br>Input range: from -10 to 0 to -10V, input impedance 20k $\Omega$<br>Resolution: 15 bits / $\pm$ full scale   |
|                               | TREF                    | Torque command input for torque control<br>Input range: from -10 to 0 to +10V, input impedance 20k $\Omega$<br>Resolution: 14 bits / $\pm$ full scale   |
|                               | P10                     | Power supply output for analog command (+10 VDC), output capacity 30 mA   |
|                               | M5                      | Reference potential (0V)  |

Specifications of Servo Amplifier

# Specifications of Servo Amplifier

## VS Type

### Outline of system configuration



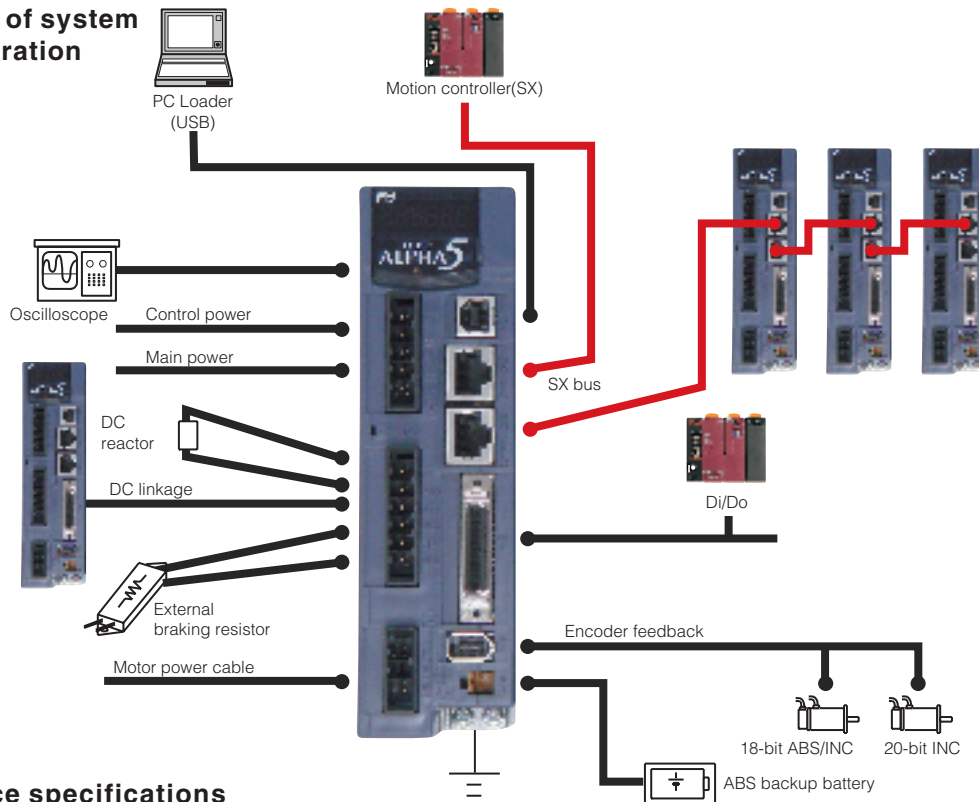
### Interface specifications

| Item                          | Specifications  |   |
|-------------------------------|---|---|
| Command interface             | Position control  | SX bus: IQ area   |
|                               | Speed control   | SX bus: IQ area   |
|                               | Torque control  | SX bus: IQ area   |
| Communication interface       | SX bus (for command interface, parameter editing and monitor) |   |
|                               | Our original protocol   |   |
|                               | 25Mbps, connection of max. 32 axes                            |   |
| Terminal name                 | Symbol  | Specifications  |
| Pulse input                   | CA,*CA<br>CB,*CB  | Pulse input during operation with high speed counter function<br>Differential input: max. input frequency $\leq 1.0\text{MHz}$<br>Open collector input: max. input frequency $\leq 200\text{kHz}$<br>(In case of signals at 90-degree phase difference, the above relationship is true for the four-fold frequency.)<br>Pulse format    Command pulse/Command direction<br>Forward/Reverse pulse<br>Two signals at 90-degree phase difference } Select one of these formats with a parameter setting. |
|                               | PPI   | Pull-up power input at open collector input<br>( $24\text{VDC} \pm 10\%$ )  |
| Pulse output                  | FFA,*FFA<br>FFB,*FFB  | Differential output: max. output frequency $\leq 1\text{MHz}$<br>Two signals at 90-degree phase difference<br>Pulse output count setting (n pulses/rev): $16 \leq n \leq 262144$  |
|                               | FFZ,*FFZ  | Differential output 1 pulse/rev   |
|                               | FZ  | Open collector output 1 pulse/rev   |
|                               | M5  | Reference potential (0V)  |
| Analog monitor voltage output | MON1<br>MON2  | 0V to $\pm 10\text{VDC}$<br>Resolution: 14 bits / $\pm$ full scale<br>The output data depends on the internal parameter.  |
|                               | M5  | Reference potential (0V)  |
|                               | COMIN   | Common for sequence input signal  |
| Common for sequence I/O       | COMOUT  | Common for sequence output signal   |
| Sequence input signal         | CONT1 to CONT5  | ON upon short circuit across contacts, OFF upon open circuit<br>$12\text{VDC} - 10\%$ to $24\text{VDC} + 10\%$<br>Current consumption 20mA (per contact; use at circuit voltage 24 VDC)<br>Function of each signal depends on parameter setting<br>Compatible with both sink and source input methods   |
| Sequence output signal        | OUT1 to OUT2  | Short circuit upon ON, open circuit upon OFF<br>$30\text{VDC} / 50\text{mA}$ (max.)<br>Function of each signal depends on parameter setting<br>Compatible with both sink and source output methods  |

## Specifications of Servo Amplifier

### LS Type

#### Outline of system configuration



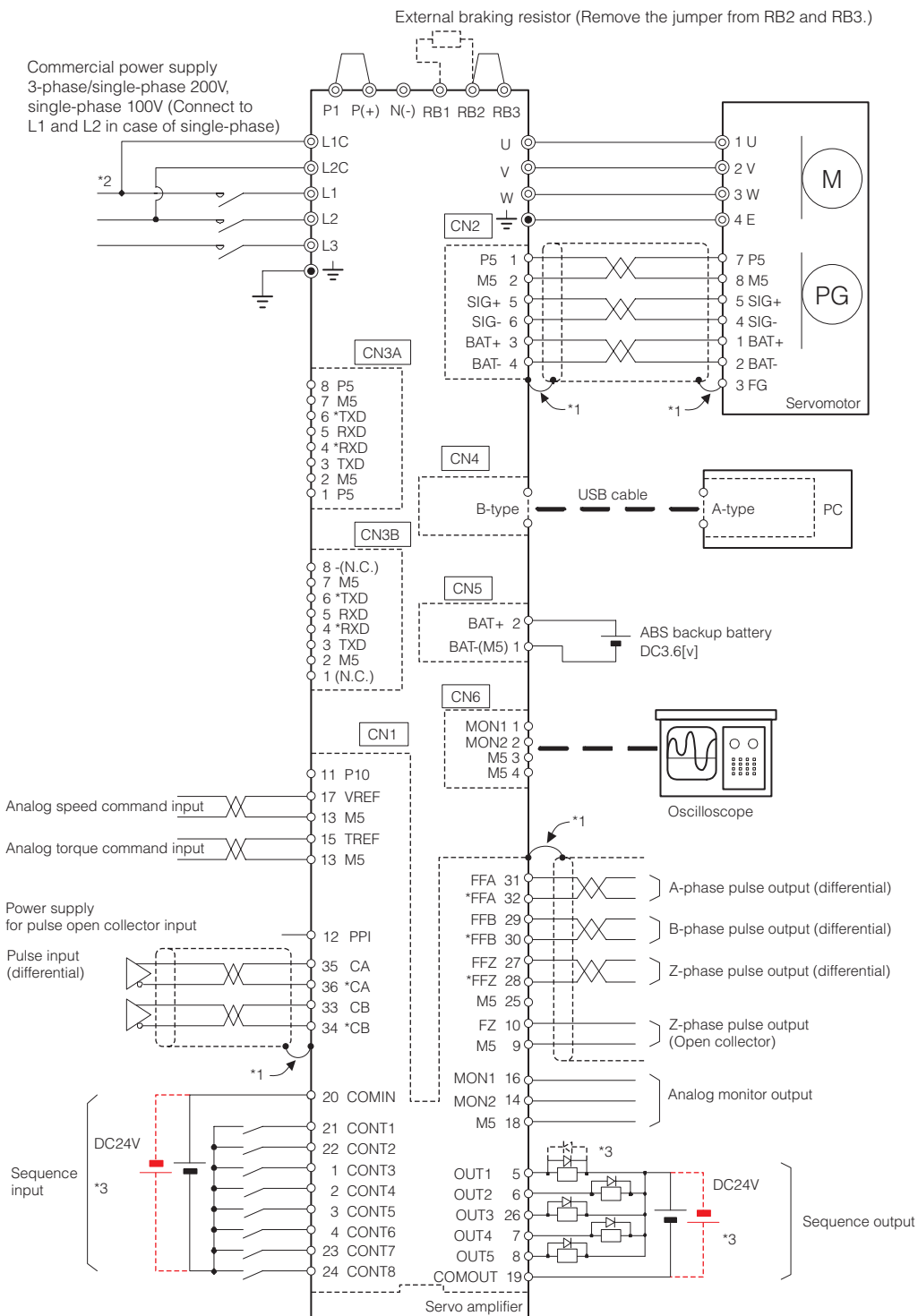
#### Interface specifications

| Item                          | Specifications  |  |
|-------------------------------|---|--|
| Command interface             | Positioning Function  | SX bus: IQ area  |
|                               | Position control  | SX bus: IQ area  |
|                               | Speed control   | SX bus: IQ area  |
| Communication interface       | SX bus (for command interface, parameter editing and monitor) |  |
|                               | Our original protocol   |  |
|                               | 25Mbps, connection of max. 32 axes                            |  |
| Terminal name                 | Symbol  | Specifications   |
| Pulse input                   | CA,*CA<br>CB,*CB  | Pulse train command input for position control<br>Differential input: max. input frequency ≤ 1.0MHz<br>Open collector input: max. input frequency ≤ 200kHz<br>(In case of signals at 90-degree phase difference, the above relationship is true for the four-fold frequency.)<br>Pulse format    Command pulse/Command direction<br>Forward/Reverse pulse<br>Two signals at 90-degree phase difference } Select one of these formats with a parameter setting. |
|                               | PPI   | Pull-up power input at open collector input<br>(24VDC ± 10%)   |
| Pulse output                  | FFA,*FFA<br>FFB,*FFB  | Differential output: max. output frequency ≤ 1MHz<br>Two signals at 90-degree phase difference<br>Pulse output count setting (n pulses/rev): 16 ≤ n ≤ 262144   |
|                               | FFZ,*FFZ  | Differential output 1 pulse/rev  |
|                               | FZ  | Open collector output 1 pulse/rev  |
|                               | M5  | Reference potential (0V)   |
| Analog monitor voltage output | MON1<br>MON2  | 0V to ± 10VDC<br>Resolution: 14 bits / ±full scale<br>The output data depends on the internal parameter.   |
|                               | M5  | Reference potential (0V)   |
|                               | COMIN   | Common for sequence input signal   |
| Common for sequence I/O       | COMOUT  | Common for sequence output signal  |
| Sequence input signal         | CONT1 to CONT5  | ON upon short circuit across contacts, OFF upon open circuit<br>12VDC-10% to 24VDC +10%<br>Current consumption 20mA (per contact; use at circuit voltage 24 VDC)<br>Function of each signal depends on parameter setting<br>Compatible with both sink and source input methods   |
| Sequence output signal        | OUT1 to OUT2  | Short circuit upon ON, open circuit upon OFF<br>30VDC / 50mA (max.)<br>Function of each signal depends on parameter setting<br>Compatible with both sink and source output methods   |

Specifications of Servo Amplifier

# Connection Diagram (Reference)

## VV type



\*1: Connect the shield to the connector shell of CN1 and CN2. The connector shell is at the ground potential (FG).

\*2: Supply the control power (L1c and L2c) without fail. (The servo amplifier does not function with merely the main power supply.)

\*3: To use in the source I/O, connect as shown with the broken line. Connect the surge absorber diode of the output load with the reverse polarity.

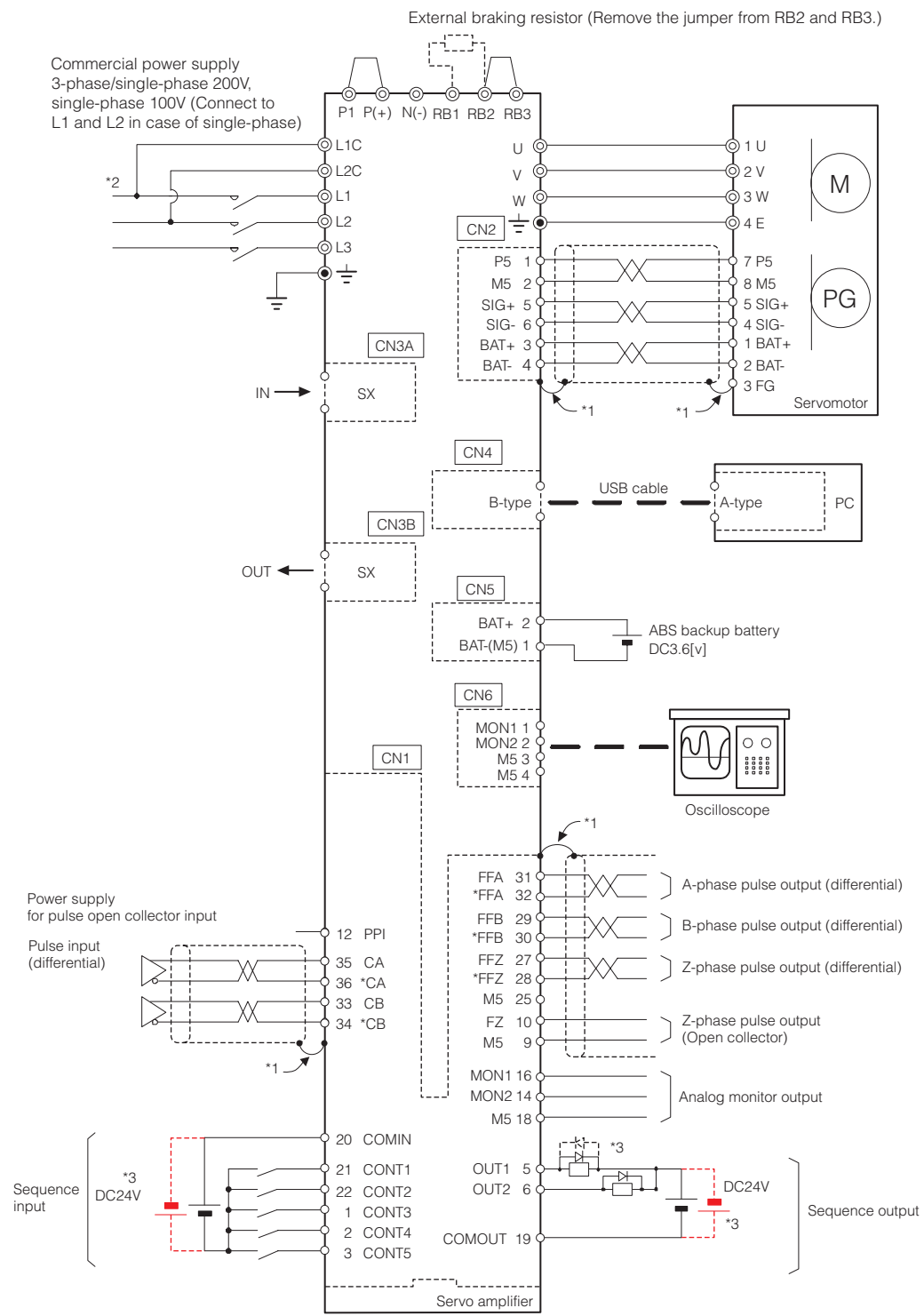


**Caution**


The diagram shown above is given as a reference for model selection.  
When actually using the selected servo system, make wiring connections according to the connection diagram and instructions described in the user's manual.

## Connection Diagram (Reference)

### VS type, LS type



Connection Diagram (Reference)



**Caution**

The diagram shown above is given as a reference for model selection. When actually using the selected servo system, make wiring connections according to the connection diagram and instructions described in the user's manual.

# Specifications of Servomotor

## GYS Motor

### 200V series

#### Standard specifications

| Motor type<br>(-B indicates the brake-incorporated type.)                | GYS500D5<br>- □□ 2 (-B)  | GYS101D5<br>- □□ 2 (-B)                               | GYS201D5<br>- □□ 2 (-B)                             | GYS401D5<br>- □□ 2 (-B)                             | GYS751D5<br>- □□ 2 (-B)                             |
|--|--|---|---|---|---|
| Rated output [kW]  | 0.05   | 0.1   | 0.2   | 0.4   | 0.75  |
| Rated torque [N · m]   | 0.159  | 0.318   | 0.637   | 1.27  | 2.39  |
| Rated speed [r/min]  | 3000   |   |   |   |   |
| Max. speed [r/min]   | 6000*1   |   |   |   |   |
| Max. torque [N · m]  | 0.478  | 0.955   | 1.91  | 3.82  | 7.17  |
| Inertia [kg · m <sup>2</sup> ]<br>( ) indicates brake-incorporated type. | 0.0192×10 <sup>-4</sup><br>(0.0223×10 <sup>-4</sup> )  | 0.0371×10 <sup>-4</sup><br>(0.0402×10 <sup>-4</sup> ) | 0.135×10 <sup>-4</sup><br>(0.159×10 <sup>-4</sup> ) | 0.246×10 <sup>-4</sup><br>(0.270×10 <sup>-4</sup> ) | 0.853×10 <sup>-4</sup><br>(0.949×10 <sup>-4</sup> ) |
| Recommended load inertia ratio   | 30 times or less*2   |   |   |   |   |
| Rated current [A]  | 0.85   | 0.85  | 1.5   | 2.7   | 4.8   |
| Max. current [A]   | 2.55   | 2.55  | 4.5   | 8.1   | 14.4  |
| Winding insulation class   | Class B  |   |   |   |   |
| Operation duty type  | Continuous   |   |   |   |   |
| Degree of enclosure protection   | Totally enclosed, self-cooled (IP 67, excluding the shaft sealing and connectors)  |   |   |   |   |
| Terminals (motor)  | Cable 0.3m (with connector)  |   |   |   |   |
| Terminals (encoder)  | Cable 0.3m (with connector)  |   |   |   |   |
| Overheat protection  | Not provided (The servo amplifier detects temperature.)  |   |   |   |   |
| Mounting method  | By securing motor flange IMB5 (L51), IMV1 (L52), IMV3 (L53)  |   |   |   |   |
| Shaft extension  | Straight shaft   |   |   |   |   |
| Paint color  | N1.5   |   |   |   |   |
| Encoder  | 18-bit serial encoder (absolute/incremental), 20-bit serial encoder (incremental)  |   |   |   |   |
| Vibration level  | V5 or below  |   |   |   |   |
| Installation place, altitude and environment                             | For indoor use (free from direct sunlight), 1000m or below, locations without corrosive and flammable gases, oil mist and dust |   |   |   |   |
| Ambient temperature, humidity  | -10 to +40°C, within 90% RH max.(without condensation)   |   |   |   |   |
| Vibration resistance [m/s <sup>2</sup> ]                                 | 49   |   |   |   |   |
| Mass [kg]<br>( ) indicates brake-incorporated type.                      | 0.45<br>(0.62)   | 0.55<br>(0.72)  | 1.2<br>(1.7)  | 1.8<br>(2.3)  | 3.4<br>(4.2)  |
| Compliance with standards  | UL/cUL (UL1004), CE marking (EN60034-1, EN60034-5), RoHS directive   |   |   |   |   |

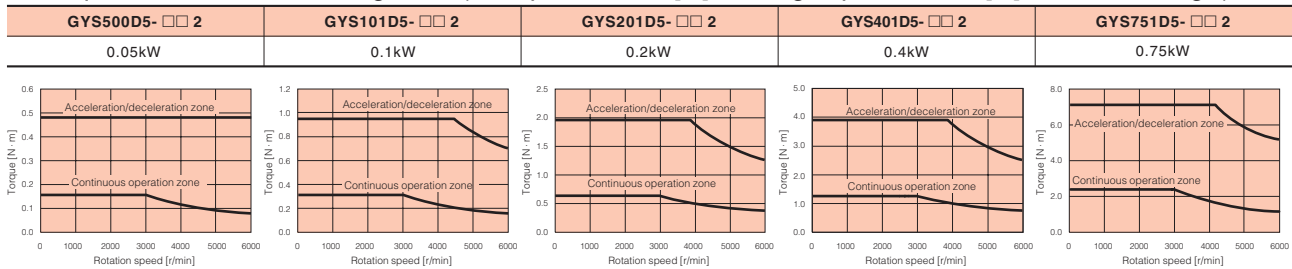
\*1 The maximum rotation speed is 5000r/min when using the motor in combination with Fuji's gear head.

\*2 The load inertia ratio to the inertia of servo motor. If the moment of load inertia ratio value exceeds the list value, please contact us.

#### Brake specification (motor equipped with a brake)

| Motor type                     | GYS500D5<br>- □□ 2-B | GYS101D5<br>- □□ 2-B | GYS201D5<br>- □□ 2-B | GYS401D5<br>- □□ 2-B | GYS751D5<br>- □□ 2-B |
|--------------------------------|----------------------|----------------------|----------------------|----------------------|----------------------|
| Static friction torque [N · m] | 0.34                 |                      |                      | 1.27                 |                      |
| Rated DC voltage [V]           | DC24±10%             |                      |                      |                      |                      |
| Attraction time [ms]           | 35                   |                      |                      | 40                   |                      |
| Release time [ms]              | 10                   |                      |                      | 20                   |                      |
| Power consumption [W]          | 6.1 (at 20°C)        |                      |                      | 7.3 (at 20°C)        |                      |
|                                |                      |                      |                      | 8.5 (at 20°C)        |                      |

#### Torque characteristics diagrams (at 3-phase 200 [V] or single-phase 230 [V] source voltage)



These characteristics indicate typical values of each servomotor combined with the corresponding RYT type servo amplifier.

The rated torque indicates the value obtained when the servo amplifier is installed to the following aluminum heat sink.

- Model GYS500, 101: 200 × 200 × 6 [mm]
- Model GYS201, 401: 250 × 250 × 6 [mm]
- Model GYS751: 300 × 300 × 6 [mm]



## Specifications of Servomotor

### GYS Motor

#### 200V series

#### Standard specifications

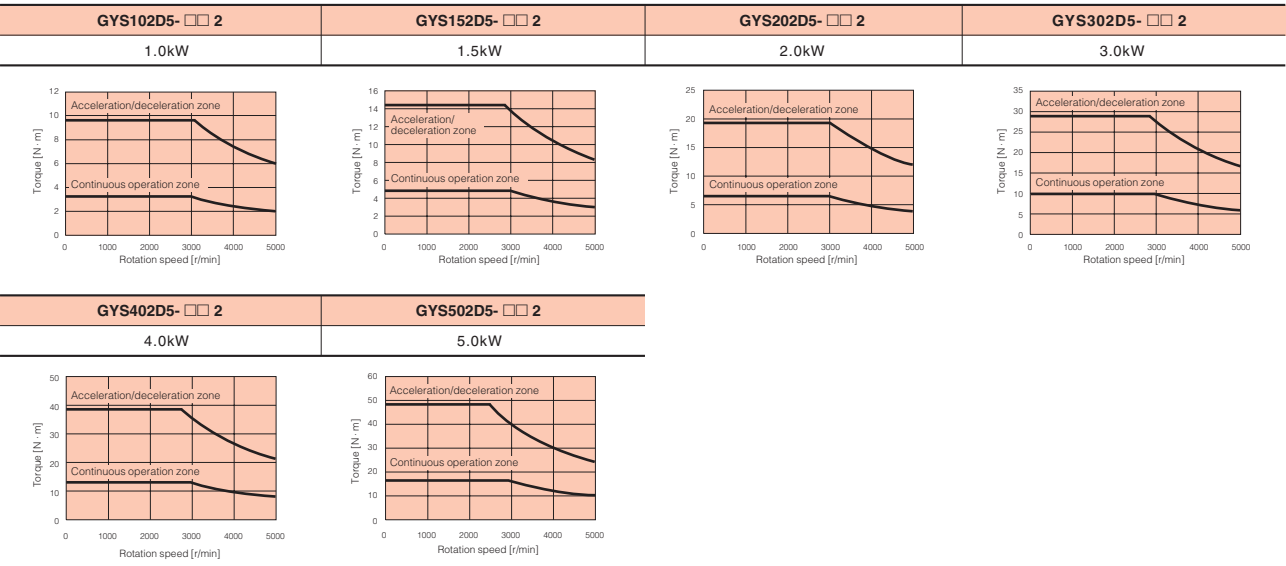
| Motor type<br>(-B) indicates the brake-incorporated type.                | GYS102D5<br>- □□ 2 (-B)  | GYS152D5<br>- □□ 2 (-B)                           | GYS202D5<br>- □□ 2 (-B)                           | GYS302D5<br>- □□ 2 (-B)                            | GYS402D5<br>- □□ 2 (-B)                           | GYS502D5<br>- □□ 2 (-B)                           |
|--|--|---|---|--|---|---|
| Rated output [kW]  | 1.0  | 1.5   | 2.0   | 3.0  | 4.0   | 5.0   |
| Rated torque [N · m]   | 3.18   | 4.78  | 6.37  | 9.55   | 12.7  | 15.9  |
| Rated speed [r/min]  | 3000   |   |   |  |   |   |
| Max. speed [r/min]   | 5000   |   |   |  |   |   |
| Max. torque [N · m]  | 9.55   | 14.3  | 19.1  | 28.7   | 38.2  | 47.8  |
| Inertia [kg · m <sup>2</sup> ]<br>( ) indicates brake-incorporated type. | 1.73×10 <sup>-4</sup><br>(2.03×10 <sup>-4</sup> )  | 2.37×10 <sup>-4</sup><br>(2.67×10 <sup>-4</sup> ) | 3.01×10 <sup>-4</sup><br>(3.31×10 <sup>-4</sup> ) | 8.32×10 <sup>-4</sup><br>(10.42×10 <sup>-4</sup> ) | 10.8×10 <sup>-4</sup><br>(12.9×10 <sup>-4</sup> ) | 12.8×10 <sup>-4</sup><br>(14.9×10 <sup>-4</sup> ) |
| Recommended load inertia ratio   | 20 times or less*1   |   |   |  |   |   |
| Rated current [A]  | 7.1  | 9.6   | 12.6  | 18.0   | 24.0  | 30.0  |
| Max. current [A]   | 21.3   | 28.8  | 37.8  | 54.0   | 72.0  | 90.0  |
| Winding insulation class   | Class F  |   |   |  |   |   |
| Operation duty type  | Continuous   |   |   |  |   |   |
| Degree of enclosure protection   | Totally enclosed, self-cooled (IP 67, excluding the shaft sealing)*2   |   |   |  |   |   |
| Terminals (motor)  | Cannon connector   |   |   |  |   |   |
| Terminals (encoder)  | Cannon connector   |   |   |  |   |   |
| Overheat protection  | Not provided (The servo amplifier detects temperature.)  |   |   |  |   |   |
| Mounting method  | By securing motor flange IMB5 (L51), IMV1 (L52), IMV3 (L53)  |   |   |  |   |   |
| Shaft extension  | Straight shaft   |   |   |  |   |   |
| Paint color  | N1.5   |   |   |  |   |   |
| Encoder  | 18-bit serial encoder (absolute/incremental), 20-bit serial encoder (incremental)  |   |   |  |   |   |
| Vibration level  | Up to rated rotation speed: V10 or below<br>Over rated rotation speed and up to 5000r/min: V15 or below                        |   |   |  |   |   |
| Installation place, altitude and environment                             | For indoor use (free from direct sunlight), 1000m or below, locations without corrosive and flammable gases, oil mist and dust |   |   |  |   |   |
| Ambient temperature, humidity  | -10 to +40°C, within 90% RH max.(without condensation)   |   |   |  |   |   |
| Vibration resistance [m/s <sup>2</sup> ]                                 | 24.5   |   |   |  |   |   |
| Mass [kg]<br>( ) indicates brake-incorporated type.                      | 4.4<br>(5.9)   | 5.2<br>(6.8)                                      | 6.3<br>(7.9)                                      | 11.0<br>(13.0)                                     | 13.5<br>(15.5)                                    | 16.0<br>(18.0)                                    |
| Compliance with standards  | UL/cUL (UL1004), CE marking (EN60034-1, EN60034-5), RoHS directive   |   |   |  |   |   |

\*1 The load inertia ratio to the inertia of servo motor. If the moment of load inertia ratio value exceeds the list value, please contact us.  
\*2 If the motor is used in the environment rated to IP67 protection degree, use the wiring connector suitable for the protection degree.

#### Brake specification (motor equipped with a brake)

| Motor type                     | GYS102D5<br>- □□ 2-B | GYS152D5<br>- □□ 2-B | GYS202D5<br>- □□ 2-B | GYS302D5<br>- □□ 2-B | GYS402D5<br>- □□ 2-B | GYS502D5<br>- □□ 2-B |
|--------------------------------|----------------------|----------------------|----------------------|----------------------|----------------------|----------------------|
| Static friction torque [N · m] | 6.86                 |                      |                      |                      | 17                   |                      |
| Rated DC voltage [V]           | DC24±10%             |                      |                      |                      |                      |                      |
| Attraction time [ms]           | 100                  |                      |                      |                      | 120                  |                      |
| Release time [ms]              | 40                   |                      |                      |                      | 30                   |                      |
| Power consumption [W]          | 17.7 (at 20°C)       |                      |                      |                      | 12 (at 20°C)         |                      |

#### Torque characteristics diagrams (at 3-phase 200 [V] or single-phase 230 [V] source voltage)



These characteristics indicate typical values of each servomotor combined with the corresponding RYT type servo amplifier.  
The rated torque indicates the value obtained when the servo amplifier is installed to the following aluminum heat sink.  
· Model GYS102, 152, 202: 350 × 350 × 8 [mm]  
· Model GYS302, 402, 502: 400 × 400 × 12 [mm]

# Specifications of Servomotor

## GYS Motor

### 100V series

#### Standard specifications

| Motor type<br>(-B indicates the brake-incorporated type.)                | GYS500D5<br>- □□ 6 (-B)  | GYS101D5<br>- □□ 6 (-B)                               | GYS201D5<br>- □□ 6 (-B)                             | GYS401D5<br>- □□ 6 (-B)                             |
|--|--|---|---|---|
| Rated output [kW]  | 0.05   | 0.1   | 0.2   | 0.375   |
| Rated torque [N · m]   | 0.159  | 0.318   | 0.637   | 1.19  |
| Rated speed [r/min]  | 3000   |   |   |   |
| Max. speed [r/min]   | 6000*1   |   |   |   |
| Max. torque [N · m]  | 0.478  | 0.955   | 1.91  | 3.58  |
| Inertia [kg · m <sup>2</sup> ]<br>( ) indicates brake-incorporated type. | 0.0192×10 <sup>-4</sup><br>(0.0223×10 <sup>-4</sup> )  | 0.0371×10 <sup>-4</sup><br>(0.0402×10 <sup>-4</sup> ) | 0.135×10 <sup>-4</sup><br>(0.159×10 <sup>-4</sup> ) | 0.246×10 <sup>-4</sup><br>(0.270×10 <sup>-4</sup> ) |
| Recommended load inertia ratio   | 30 times or less*2   |   |   |   |
| Rated current [A]  | 0.85   | 1.5   | 2.7   | 4.8   |
| Max. current [A]   | 2.55   | 4.5   | 8.1   | 14.4  |
| Winding insulation class   | Class B  |   |   |   |
| Operation duty type  | Continuous   |   |   |   |
| Degree of enclosure protection   | Totally enclosed, self-cooled (IP 67, excluding the shaft sealing and connectors)  |   |   |   |
| Terminals (motor)  | Cable 0.3m (with connector)  |   |   |   |
| Terminals (encoder)  | Cable 0.3m (with connector)  |   |   |   |
| Overheat protection  | Not provided (The servo amplifier detects temperature.)  |   |   |   |
| Mounting method  | By securing motor flange IMB5 (L51), IMV1 (L52), IMV3 (L53)  |   |   |   |
| Shaft extension  | Straight shaft   |   |   |   |
| Paint color  | N1.5   |   |   |   |
| Encoder  | 18-bit serial encoder (absolute/incremental), 20-bit serial encoder (incremental)  |   |   |   |
| Vibration level  | V5 or below  |   |   |   |
| Installation place, altitude and environment                             | For indoor use (free from direct sunlight), 1000m or below, locations without corrosive and flammable gases, oil mist and dust |   |   |   |
| Ambient temperature, humidity  | -10 to +40°C, within 90% RH max.(without condensation)   |   |   |   |
| Vibration resistance [m/s <sup>2</sup> ]                                 | 49   |   |   |   |
| Mass [kg]<br>( ) indicates brake-incorporated type.                      | 0.45<br>(0.6)  | 0.55<br>(0.7)   | 1.2<br>(1.7)  | 1.8<br>(2.3)  |
| Compliance with standards  | UL/cUL (UL1004), CE marking (EN60034-1, EN60034-5), RoHS directive   |   |   |   |

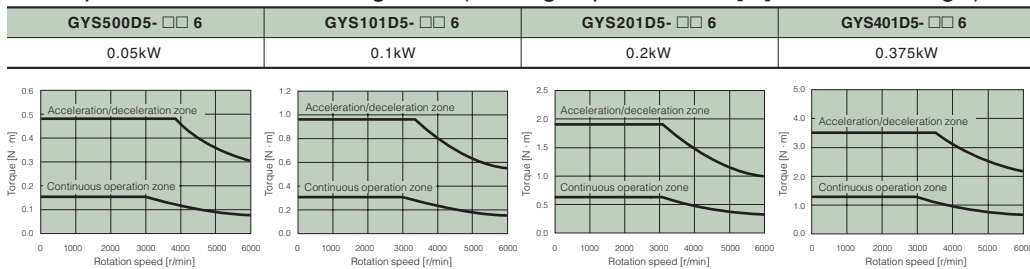
\*1 The maximum rotation speed is 5000r/min when using the motor in combination with Fuji's gear head.

\*2 The load inertia ratio to the inertia of servo motor. If the moment of load inertia ratio value exceeds the list value, please contact us.

#### Brake specification (motor equipped with a brake)

| Motor type                     | GYS500D5<br>- □□ 6-B | GYS101D5<br>- □□ 6-B | GYS201D5<br>- □□ 6-B | GYS401D5<br>- □□ 6-B |
|--------------------------------|----------------------|----------------------|----------------------|----------------------|
| Static friction torque [N · m] | 0.34                 |                      |                      | 1.27                 |
| Rated DC voltage [V]           | DC24±10%             |                      |                      |                      |
| Attraction time [ms]           | 35                   |                      |                      | 40                   |
| Release time [ms]              | 10                   |                      |                      | 20                   |
| Power consumption [W]          | 6.1 (at 20°C)        |                      |                      | 7.3 (at 20°C)        |

#### Torque characteristics diagrams (at single-phase 100 [V] source voltage)



These characteristics indicate typical values of each servomotor combined with the corresponding RYT type servo amplifier.

The rated torque indicates the value obtained when the servo amplifier is installed to the following aluminum heat sink.

- Model GYS500, 101: 200 × 200 × 6 [mm]
- Model GYS201, 401: 250 × 250 × 6 [mm]

## Specifications of Servomotor

### GYC Motor

#### Standard specifications

| Motor type<br>(-B) indicates the brake-incorporated type.                | GYC101D5<br>- □□ 2 (-B)  | GYC201D5<br>- □□ 2 (-B)                                 | GYC401D5<br>- □□ 2 (-B)                                 | GYC751D5<br>- □□ 2 (-B)                               | GYC102D5<br>- □□ 2 (-B)   | GYC152D5<br>- □□ 2 (-B)                               | GYC202D5<br>- □□ 2 (-B)                               |
|--|--|---|---|---|---|---|---|
| Rated output [kW]  | 0.1  | 0.2   | 0.4   | 0.75  | 1.0   | 1.5   | 2.0   |
| Rated torque [N · m]   | 0.318  | 0.637   | 1.27  | 2.39  | 3.18  | 4.78  | 6.37  |
| Rated speed [r/min]  | 3000   |   |   |   |   |   |   |
| Max. speed [r/min]   | 6000* <sup>1</sup>   |   |   |   | 5000  |   |   |
| Max. torque [N · m]  | 0.955  | 1.91  | 3.82  | 7.17  | 9.55  | 14.3  | 19.1  |
| Inertia [kg · m <sup>2</sup> ]<br>( ) indicates brake-incorporated type. | 0.0577 × 10 <sup>-4</sup><br>(0.0727 × 10 <sup>-4</sup> )  | 0.213 × 10 <sup>-4</sup><br>(0.288 × 10 <sup>-4</sup> ) | 0.408 × 10 <sup>-4</sup><br>(0.483 × 10 <sup>-4</sup> ) | 1.21 × 10 <sup>-4</sup><br>(1.66 × 10 <sup>-4</sup> ) | 3.19 × 10 <sup>-4</sup><br>(5.29 × 10 <sup>-4</sup> )   | 4.44 × 10 <sup>-4</sup><br>(6.54 × 10 <sup>-4</sup> ) | 5.69 × 10 <sup>-4</sup><br>(7.79 × 10 <sup>-4</sup> ) |
| Recommended load inertia ratio   | 30 times or less* <sup>2</sup>   |   |   |   |   | 20 times or less* <sup>2</sup>                        |   |
| Rated current [A]  | 1.0  | 1.5   | 2.6   | 4.8   | 6.7   | 9.6   | 12.6  |
| Max. current [A]   | 3.0  | 4.5   | 7.8   | 14.4  | 20.1  | 28.8  | 37.8  |
| Winding insulation class   | Class B  |   |   |   | Class F   |   |   |
| Operation duty type  | Continuous   |   |   |   |   |   |   |
| Degree of enclosure protection   | Totally enclosed, self-cooled (IP 67, excluding the shaft sealing and connectors)  |   |   |   | Totally enclosed, self-cooled (IP 67, excluding the shaft sealing)* <sup>3</sup>                        |   |   |
| Terminals (motor)  | Cable 0.3m (with connector)  |   |   |   | Cannon connector  |   |   |
| Terminals (encoder)  | Cable 0.3m (with connector)  |   |   |   | Cannon connector  |   |   |
| Overheat protection  | Not provided (The servo amplifier detects temperature.)  |   |   |   |   |   |   |
| Mounting method  | By securing motor flange IMB5 (L51), IMV1 (L52), IMV3 (L53)  |   |   |   |   |   |   |
| Shaft extension  | Straight shaft   |   |   |   |   |   |   |
| Paint color  | N1.5   |   |   |   |   |   |   |
| Encoder  | 18-bit serial encoder (absolute/incremental), 20-bit serial encoder (incremental)  |   |   |   |   |   |   |
| Vibration level  | V5 or below  |   |   |   | Up to rated rotation speed: V10 or below<br>Over rated rotation speed and up to 5000r/min: V15 or below |   |   |
| Installation place, altitude and environment                             | For indoor use (free from direct sunlight), 1000m or below, locations without corrosive and flammable gases, oil mist and dust |   |   |   |   |   |   |
| Ambient temperature, humidity  | -10 to +40°C, within 90% RH max.(without condensation)   |   |   |   |   |   |   |
| Vibration resistance [m/s <sup>2</sup> ]                                 | 49   |   |   |   |   | 24.5  |   |
| Mass [kg]<br>( ) indicates brake-incorporated type.                      | 0.75<br>(1.0)  | 1.3<br>(1.9)  | 1.9<br>(2.6)  | 3.5<br>(4.3)  | 5.7<br>(8.0)  | 7.0<br>(9.8)  | 8.2<br>(11.0)   |
| Compliance with standards  | UL/cUL (UL1004), CE marking (EN60034-1, EN60034-5), RoHS directive   |   |   |   |   |   |   |

\*1 The maximum rotation speed is 5000r/min when using the motor in combination with Fuji's gear head.

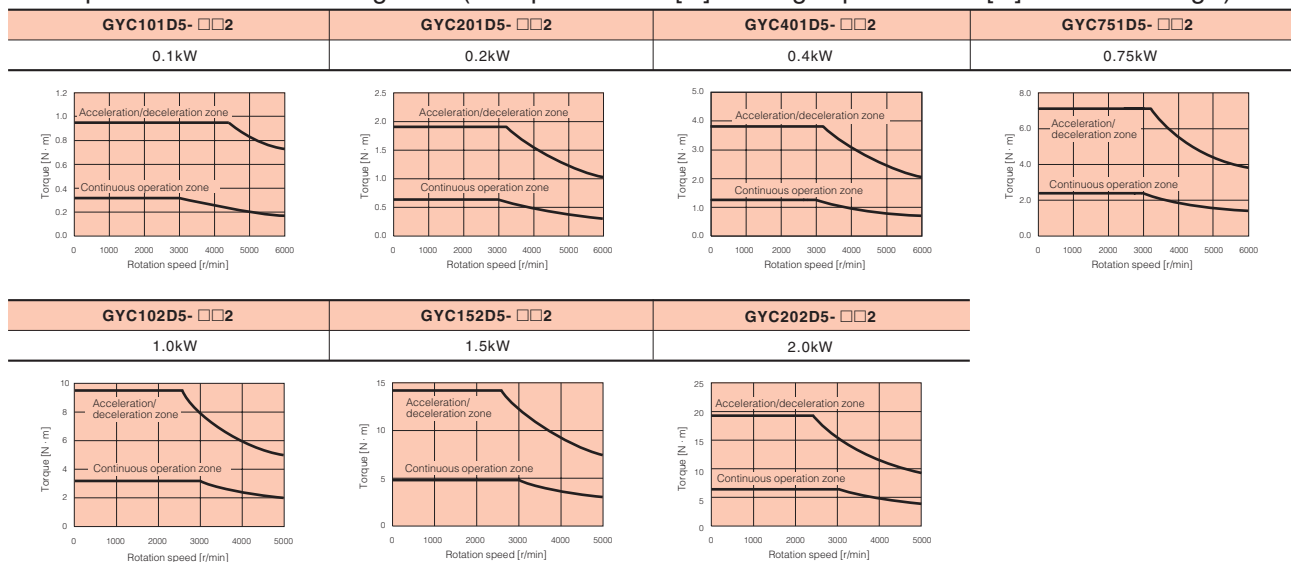
\*2 The load inertia ratio to the inertia of servo motor. If the moment of load inertia ratio value exceeds the list value, please contact us.

\*3 If the motor is used in the environment rated to IP67 protection degree, use the wiring connector suitable for the protection degree.

#### Brake specification (motor equipped with a brake)

| Motor type                     | GYC101D5<br>- □□ 2-B | GYC201D5<br>- □□ 2-B | GYC401D5<br>- □□ 2-B | GYC751D5<br>- □□ 2-B | GYC102D5<br>- □□ 2-B | GYC152D5<br>- □□ 2-B | GYC202D5<br>- □□ 2-B |
|--------------------------------|----------------------|----------------------|----------------------|----------------------|----------------------|----------------------|----------------------|
| Static friction torque [N · m] | 0.318                | 1.27                 | 2.39                 | 17                   |                      |                      |                      |
| Rated DC voltage [V]           | DC24±10%             |                      |                      |                      |                      |                      |                      |
| Attraction time [ms]           | 60                   | 80                   | 50                   | 120                  |                      |                      |                      |
| Release time [ms]              | 40                   | 80                   | 30                   |                      |                      |                      |                      |
| Power consumption [W]          | 6.5 (at 20°C)        | 9.0 (at 20°C)        | 8.5 (at 20°C)        | 12 (at 20°C)         |                      |                      |                      |

#### Torque characteristics diagrams (at 3-phase 200 [V] or single-phase 230 [V] source voltage)



These characteristics indicate typical values of each servomotor combined with the corresponding RYT type servo amplifier.

The rated torque indicates the value obtained when the servo amplifier is installed to the following aluminum heat sink.

- Model GYC101, 201, 401: 250 × 250 × 6 [mm]
- Model GYC751: 300 × 300 × 6 [mm]
- Model GYC102D: 300 × 300 × 12 [mm]
- Model GYC152D, 202D: 400 × 400 × 12 [mm]

# Specifications of Servomotor

## GYG Motor [2000r/min]

### Standard specifications

| Motor type<br>(-B indicates the brake-incorporated type.)                | GYG501C5<br>- □□ 2 (-B)  | GYG751C5<br>- □□ 2 (-B)                            | GYG102C5<br>- □□ 2 (-B)                            | GYG152C5<br>- □□ 2 (-B)                            | GYG202C5<br>- □□ 2 (-B)                            |
|--|--|--|--|--|--|
| Rated output [kW]  | 0.5  | 0.75   | 1.0  | 1.5  | 2.0  |
| Rated torque [N · m]   | 2.39   | 3.58   | 4.77   | 7.16   | 9.55   |
| Rated speed [r/min]  | 2000   |  |  |  |  |
| Max. speed [r/min]   | 3000   |  |  |  |  |
| Max. torque [N · m]  | 7.2  | 10.7   | 14.3   | 21.5   | 28.6   |
| Inertia [kg · m <sup>2</sup> ]<br>( ) indicates brake-incorporated type. | 7.96×10 <sup>-4</sup><br>(10.0×10 <sup>-4</sup> )  | 11.55×10 <sup>-4</sup><br>(13.6×10 <sup>-4</sup> ) | 15.14×10 <sup>-4</sup><br>(17.2×10 <sup>-4</sup> ) | 22.33×10 <sup>-4</sup><br>(24.4×10 <sup>-4</sup> ) | 29.51×10 <sup>-4</sup><br>(31.6×10 <sup>-4</sup> ) |
| Recommended load inertia ratio   | 10 times or less*1   |  |  |  |  |
| Rated current [A]  | 3.5  | 5.2  | 6.4  | 10   | 12.3   |
| Max. current [A]   | 10.5   | 15.6   | 19.2   | 30.0   | 36.9   |
| Winding insulation class   | Class F  |  |  |  |  |
| Operation duty type  | Continuous   |  |  |  |  |
| Degree of enclosure protection   | Totally enclosed, self-cooled (IP 67, excluding the shaft sealing)*2   |  |  |  |  |
| Terminals (motor)  | Cannon connector   |  |  |  |  |
| Terminals (encoder)  | Cannon connector   |  |  |  |  |
| Overheat protection  | Not provided (The servo amplifier detects temperature.)  |  |  |  |  |
| Mounting method  | By securing motor flange IMB5 (L51), IMV1 (L52), IMV3 (L53)  |  |  |  |  |
| Shaft extension  | Straight shaft   |  |  |  |  |
| Paint color  | N1.5   |  |  |  |  |
| Encoder  | 18-bit serial encoder (absolute/incremental), 20-bit serial encoder (incremental)  |  |  |  |  |
| Vibration level  | V10 or below   |  |  |  |  |
| Installation place, altitude and environment                             | For indoor use (free from direct sunlight), 1000m or below, locations without corrosive and flammable gases, oil mist and dust |  |  |  |  |
| Ambient temperature, humidity  | -10 to +40°C, within 90% RH max.(without condensation)   |  |  |  |  |
| Vibration resistance [m/s <sup>2</sup> ]                                 | 24.5   |  |  |  |  |
| Mass [kg]<br>( ) indicates brake-incorporated type.                      | 5.3<br>(7.5)   | 6.4<br>(8.6)                                       | 7.5<br>(9.7)                                       | 9.8<br>(12.0)                                      | 12.0<br>(14.2)                                     |
| Compliance with standards  | UL/cUL (UL1004), CE marking (EN60034-1, EN60034-5), RoHS directive   |  |  |  |  |

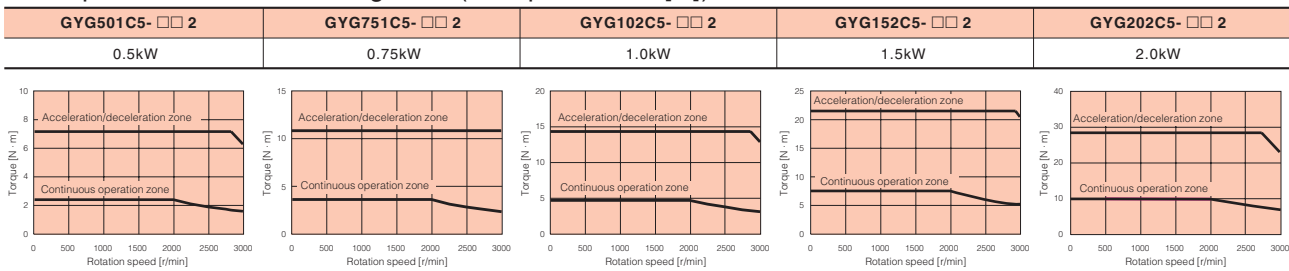
\*1 The load inertia ratio to the inertia of servo motor. If the moment of load inertia ratio value exceeds the list value, please contact us.

\*2 If the motor is used in the environment rated to IP67 protection degree, use the wiring connector suitable for the protection degree.

### Brake specification (motor equipped with a brake)

| Motor type                     | GYG501C5<br>- □□ 2-B | GYG751C5<br>- □□ 2-B | GYG102C5<br>- □□ 2-B | GYG152C5<br>- □□ 2-B | GYG202C5<br>- □□ 2-B |
|--------------------------------|----------------------|----------------------|----------------------|----------------------|----------------------|
| Static friction torque [N · m] | 17                   |                      |                      |                      |                      |
| Rated DC voltage [V]           | DC24±10%             |                      |                      |                      |                      |
| Attraction time [ms]           | 120                  |                      |                      |                      |                      |
| Release time [ms]              | 30                   |                      |                      |                      |                      |
| Power consumption [W]          | 12 (at 20°C)         |                      |                      |                      |                      |

### Torque characteristics diagrams (at 3-phase 200[V])



These characteristics indicate typical values of each servomotor combined with the corresponding RYT type servo amplifier.

The rated torque indicates the value obtained when the servo amplifier is installed to the following aluminum heat sink.

- Model GYG501C, 751C, 102C: 300 × 300 × 12 [mm]
- Model GYG152, 202: 400 × 400 × 12 [mm]

## Specifications of Servomotor

### GYG Motor [1500r/min]

#### Standard specifications

| Motor type<br>(-B) indicates the brake-incorporated type.                | GYG501B5<br>- □□ 2 (-B)  | GYG851B5<br>- □□ 2 (-B)                            | GYG132B5<br>- □□ 2 (-B)                            |
|--|--|--|--|
| Rated output [kW]  | 0.5  | 0.85   | 1.3  |
| Rated torque [N · m]   | 3.18   | 5.41   | 8.28   |
| Rated speed [r/min]  | 1500   |  |  |
| Max. speed [r/min]   | 3000   |  |  |
| Max. torque [N · m]  | 9.5  | 16.2   | 24.8   |
| Inertia [kg · m <sup>2</sup> ]<br>( ) indicates brake-incorporated type. | 11.55×10 <sup>-4</sup><br>(13.6×10 <sup>-4</sup> )   | 15.15×10 <sup>-4</sup><br>(17.3×10 <sup>-4</sup> ) | 22.33×10 <sup>-4</sup><br>(24.5×10 <sup>-4</sup> ) |
| Recommended load inertia ratio   | 10 times or less*1   |  |  |
| Rated current [A]  | 4.7  | 7.3  | 11.5   |
| Max. current [A]   | 14.1   | 21.9   | 34.5   |
| Winding insulation class   | Class F  |  |  |
| Operation duty type  | Continuous   |  |  |
| Degree of enclosure protection   | Totally enclosed, self-cooled (IP 67, excluding the shaft sealing)*2   |  |  |
| Terminals (motor)  | Cannon connector   |  |  |
| Terminals (encoder)  | Cannon connector   |  |  |
| Overheat protection  | Not provided (The servo amplifier detects temperature.)  |  |  |
| Mounting method  | By securing motor flange IMB5 (L51), IMV1 (L52), IMV3 (L53)  |  |  |
| Shaft extension  | Straight shaft   |  |  |
| Paint color  | N1.5   |  |  |
| Encoder  | 18-bit serial encoder (absolute/incremental), 20-bit serial encoder (incremental)  |  |  |
| Vibration level  | V10 or below   |  |  |
| Installation place, altitude and environment                             | For indoor use (free from direct sunlight), 1000m or below, locations without corrosive and flammable gases, oil mist and dust |  |  |
| Ambient temperature, humidity  | -10 to +40°C, within 90% RH max.(without condensation)   |  |  |
| Vibration resistance [m/s <sup>2</sup> ]                                 | 24.5   |  |  |
| Mass [kg]<br>( ) indicates brake-incorporated type.                      | 6.4<br>(8.6)   | 7.5<br>(9.7)                                       | 9.8<br>(12.0)                                      |
| Compliance with standards  | UL/cUL (UL1004), CE marking (EN60034-1, EN60034-5), RoHS directive   |  |  |

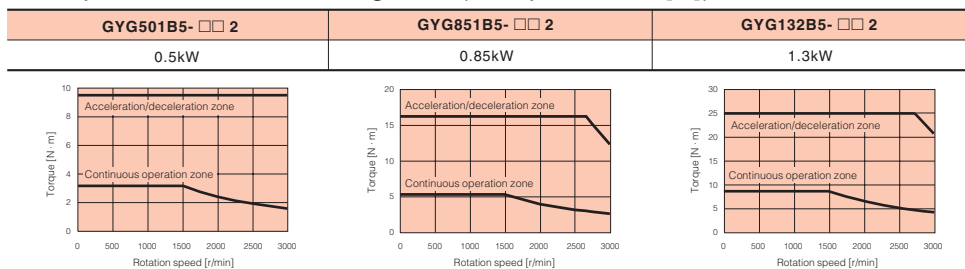
\*1 The load inertia ratio to the inertia of servo motor. If the moment of load inertia ratio value exceeds the list value, please contact us.

\*2 If the motor is used in the environment rated to IP67 protection degree, use the wiring connector suitable for the protection degree.

#### Brake specification (motor equipped with a brake)

| Motor type                     | GYG501B5<br>- □□ 2-B | GYG851B5<br>- □□ 2-B | GYG132B5<br>- □□ 2-B |
|--------------------------------|----------------------|----------------------|----------------------|
| Static friction torque [N · m] | 17                   |                      |                      |
| Rated DC voltage [V]           | DC24±10%             |                      |                      |
| Attraction time [ms]           | 120                  |                      |                      |
| Release time [ms]              | 30                   |                      |                      |
| Power consumption [W]          | 12 (at 20°C)         |                      |                      |

#### Torque characteristics diagrams (at 3-phase 200[V])



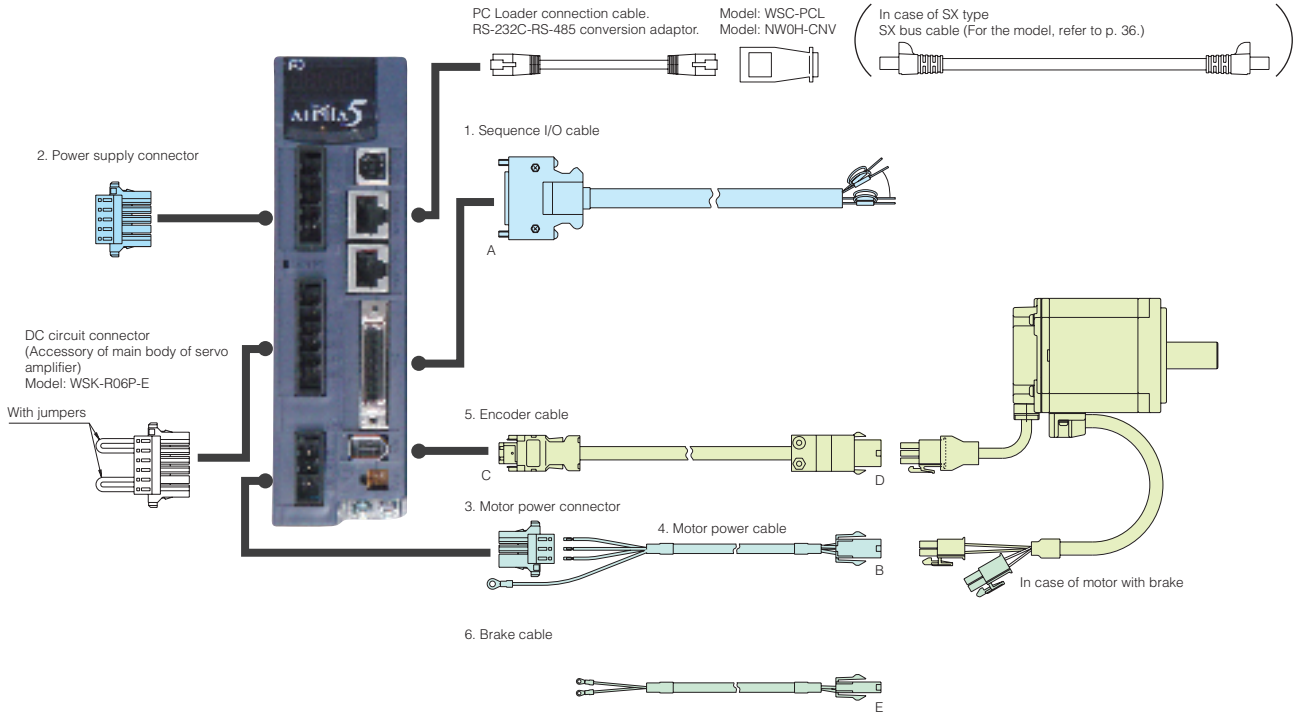
These characteristics indicate typical values of each servomotor combined with the corresponding RYT type servo amplifier.

The rated torque indicates the value obtained when the servo amplifier is installed to the following aluminum heat sink.

- Model GYG501B, 851B: 300 × 300 × 12 [mm]
- Model GYG132: 400 × 400 × 12 [mm]

# Option/Peripheral Equipment

<Major example : 750W or less / 3000r/min>



## Option

### Basic option

| Motor series | Rated speed | Brake         | Rated output     | 1. Sequence I/O cable<br>(between host and amplifier) | 2. Power supply connector | 3. Motor power connector<br>(on amplifier side) | 4. Motor power cable<br>(between amplifier and motor) | 5. Encoder cable<br>(between amplifier and motor) | 6. Brake cable         |
|--------------|-------------|---------------|------------------|---|---------------------------|---|---|---|------------------------|
| GYS motor    | 3000r/min   | Without brake | 0.05kW to 0.75kW | WSC-D36P03  | WSK-S05P-E                | WSK-M03P-E<br>(Excluding 2kW)                   | WSC-M04P02-E  | WSC-P06P02-E                                      | —                      |
|              |             | With brake    |                  |   |                           |   | WSC-M04P05-E  | WSC-P06P05-E                                      | WSC-M02P02-E           |
|              |             | Without brake | 1.0kW to 2.0kW   |   |                           |   | WSC-M04P10-E  | WSC-P06P10-E                                      | WSC-M02P05-E           |
|              |             | With brake    | 3.0kW to 5.0kW   |   |                           |   | WSC-M04P20-E  | WSC-P06P20-E                                      | WSC-M02P10-E           |
| GYC motor    | 3000r/min   | Without brake | 0.05kW to 0.75kW |   | WSK-S05P-E                | WSK-M03P-E<br>(Excluding 2kW)                   | WSC-M04P02-E  | WSC-P06P02-E                                      | —                      |
|              |             | With brake    |                  |   |                           |   | WSC-M04P05-E  | WSC-P06P05-E                                      | WSC-M02P02-E           |
|              |             | Without brake | 1.0kW to 2.0kW   |   |                           |   | WSC-M04P10-E  | WSC-P06P10-E                                      | WSC-M02P05-E           |
|              |             | With brake    | 3.0kW to 5.0kW   |   |                           |   | WSC-M04P20-E  | WSC-P06P20-E                                      | WSC-M02P10-E           |
| GYG motor    | 2000r/min   | Without brake | 0.5kW to 1.0kW   |   | WSK-S05P-E                | WSK-M03P-E                                      | *1  | WSC-P06P05-C                                      | *No cable is required. |
|              |             | With brake    |                  |   |                           |   | *2  | WSC-P06P10-C                                      | *No cable is required. |
|              |             | Without brake | 1.5kW to 2.0kW   |   |                           |   | *1  | WSC-P06P10-C                                      | *No cable is required. |
|              |             | With brake    | 1.5kW to 2.0kW   |   |                           |   | *2  | WSC-P06P20-C                                      | *No cable is required. |
|              | 1500r/min   | Without brake | 0.5kW to 0.85kW  | WSK-S05P-E  | WSK-M03P-E                | *1  | WSC-P06P10-C  | *No cable is required.                            |                        |
|              |             | With brake    |                  |   |                           | *2  | WSC-P06P20-C  | *No cable is required.                            |                        |
|              |             | Without brake | 1.3kW            |   |                           | *1  | —   | —   |                        |
|              |             | With brake    | 1.3kW            |   |                           | *2  | —   | —   |                        |

\*1 The customer is requested to fabricate the cable using the connector for motor power (motor without brake): WSK-M04P-CA.

\*2 The customer is requested to fabricate the cable using the connector for motor power (motor with brake): WSK-M06P-CA.

\*3 The customer is requested to fabricate the cable using the connector for motor power (motor without brake): WSK-M04P-CB.

\*4 The customer is requested to fabricate the cable using the connector for motor power (motor with brake): WSK-M06P-CB.

## Option/Peripheral Equipment

### Option

■ Connector kit \* Use this connector if the customer fabricates the cable yourself.

| Motor series  | Rated speed   | Brake          | Rated output     | A Sequence I/O connector | B Motor power connector (on motor side) | Encoder connector |              | E Brake connector |             |            |            |   |
|---------------|---------------|----------------|------------------|--------------------------|---|-------------------|--------------|-------------------|-------------|------------|------------|---|
|               |               |                |                  |                          |   | C Amplifier side  | D Motor side |                   |             |            |            |   |
| GYS motor     | 3000r/min     | Without brake  | 0.05kW to 0.75kW | WSK-D36P                 | WSK-M04P-E                              | WSK-P06P-M        | WSK-P09P-D   | —                 |             |            |            |   |
|               |               | With brake     |                  |                          |   |                   |              | WSK-M02P-E        |             |            |            |   |
|               |               | Without brake  | 1.0kW to 1.5kW   |                          |   |                   |              | WSK-M04P-CA       | —           |            |            |   |
|               |               | With brake     |                  |                          |   |                   |              | WSK-M06P-CA       | —           |            |            |   |
|               |               | Without brake  | 2.0kW            |                          |   |                   |              | WSK-M04P-CA       | —           |            |            |   |
|               |               | With brake     |                  |                          |   |                   |              | WSK-M06P-CA       | —           |            |            |   |
|               | Without brake | 3.0kW to 5.0kW | WSK-M04P-CB      |                          |   |                   |              | —                 |             |            |            |   |
|               | With brake    |                | WSK-M06P-CB      |                          |   |                   |              | —                 |             |            |            |   |
|               | GYC motor     | 3000r/min      | Without brake    |                          |   |                   |              | 0.05kW to 0.75kW  | WSK-M04P-E  | WSK-P06P-M | WSK-P09P-D | — |
|               |               |                | With brake       |                          |   |                   |              |                   | WSK-M02P-E  |            |            |   |
|               |               |                | Without brake    |                          |   |                   |              | 1.0kW to 1.5kW    | WSK-M04P-CB |            |            | — |
|               |               |                | With brake       |                          |   |                   |              |                   | WSK-M06P-CB |            |            | — |
| Without brake |               |                | 2.0kW            | WSK-M04P-CB              | —                                       |                   |              |                   |             |            |            |   |
| With brake    |               |                |                  | WSK-M06P-CB              | —                                       |                   |              |                   |             |            |            |   |
| GYG motor     | 2000r/min     | Without brake  | 0.5kW to 1.0kW   | WSK-M04P-CA              | WSK-P06P-M                              | WSK-P06P-C        | —            |                   |             |            |            |   |
|               |               | With brake     |                  | WSK-M06P-CA              |   |                   |              |                   |             |            |            |   |
|               |               | Without brake  | 1.5kW to 2.0kW   | WSK-M04P-CA              |   |                   |              | —                 |             |            |            |   |
|               |               | With brake     |                  | WSK-M06P-CA              |   |                   |              | —                 |             |            |            |   |
|               |               | 1500r/min      | Without brake    | 0.5kW to 0.85kW          |   |                   |              | WSK-M04P-CA       | —           |            |            |   |
|               |               |                |                  |                          |   |                   |              | With brake        | WSK-M06P-CA |            |            | — |
|               | Without brake |                | 1.3kW            | WSK-M04P-CA              |   |                   |              | —                 |             |            |            |   |
|               |               |                |                  | With brake               |   |                   |              | WSK-M06P-CA       | —           |            |            |   |

### Peripheral equipment

| Rated speed  | Input power supply | Servo amplifier type | Output of applied motor [kW] | Power supply capacity [kVA] | Input current [A] | Power filter | AC reactor | DC reactor | Molded case circuit breaker | Ground fault interruptor | Electromagnetic contactor |            |            |           |           |           |       |
|--------------|--------------------|----------------------|------------------------------|-----------------------------|-------------------|--------------|------------|------------|-----------------------------|--------------------------|---------------------------|------------|------------|-----------|-----------|-----------|-------|
| 3000r/min    | Single-phase 100V  | RYT500D5-□□6         | 0.05                         | 0.1                         | 1.5               | RNFTC06-20   | ACR2-0.4A  | DCR2-0.4   | EA32AC/3                    | EG32AC/3                 | SC-03                     |            |            |           |           |           |       |
|              |                    | RYT101D5-□□6         | 0.1                          | 0.2                         | 2.6               | ACR2-0.75A   | DCR2-0.75  | EA32AC/5   | EG32AC/5                    |                          |                           |            |            |           |           |           |       |
|              |                    | RYT201D5-□□6         | 0.2                          | 0.4                         | 4.8               | RNFTC10-20   | ACR2-1.5A  | DCR2-1.5   | EA32AC/10                   | EG32AC/10                |                           |            |            |           |           |           |       |
|              |                    | RYT401D5-□□6         | 0.375                        | 0.8                         | 8.7               | RNFTC20-20   | ACR2-2.2A  | DCR2-2.2   | EA32AC/15                   | EG32AC/15                |                           |            |            |           |           |           |       |
|              |                    | RYT500D5-□□2         | 0.05                         | 0.1                         | 0.7               | RNFTC06-20   | ACR2-0.4A  | DCR2-0.4   | EA32AC/3                    | EG32AC/3                 |                           |            |            |           |           |           |       |
|              |                    | RYT101D5-□□2         | 0.1                          | 0.2                         | 1.3               |              |            |            |                             |                          |                           |            |            |           |           |           |       |
|              | RYT201D5-□□2       | 0.2                  | 0.4                          | 2.4                         |                   |              |            |            |                             |                          |                           |            |            |           |           |           |       |
|              | RYT401D5-□□2       | 0.4                  | 0.8                          | 4.7                         |                   |              |            |            |                             |                          |                           |            |            |           |           |           |       |
|              | RYT751D5-□□2       | 0.75                 | 1.5                          | 8.6                         |                   |              |            |            |                             |                          |                           |            |            |           |           |           |       |
|              | RYT152D5-□□2       | 1.5                  | 2.9                          | 9.8                         |                   |              |            |            |                             |                          |                           |            |            |           |           |           |       |
|              | 3-phase 200V       | Single-phase 200V    | RYT101D5-□□2                 | 0.1                         | 0.2               | 0.7          | RNFTC06-20 | ACR2-0.4A  | DCR2-0.4                    | EA33AC/3                 | EG33AC/3                  | SC-03      |            |           |           |           |       |
|              |                    |                      | RYT201D5-□□2                 | 0.2                         | 0.4               | 1.4          |            |            |                             |                          |                           |            |            |           |           |           |       |
|              |                    |                      | RYT401D5-□□2                 | 0.4                         | 0.8               | 2.7          |            |            |                             |                          |                           |            |            |           |           |           |       |
|              |                    |                      | RYT751D5-□□2                 | 0.75                        | 1.5               | 5.0          |            |            |                             |                          |                           |            |            |           |           |           |       |
|              |                    |                      | RYT102D5-□□2                 | 1.0                         | 2.0               | 6.6          |            |            |                             |                          |                           |            |            |           |           |           |       |
|              |                    |                      | RYT152D5-□□2                 | 1.5                         | 2.9               | 9.8          |            |            |                             |                          |                           |            |            |           |           |           |       |
|              |                    | 3-phase 200V         | Single-phase 200V            | RYT202D5-□□2                | 2.0               | 3.9          | 13.0       | RNFTC10-20 | ACR2-1.5A                   | DCR2-1.5                 | EA33AC/10                 | EG33AC/10  | SC-03      |           |           |           |       |
|              |                    |                      |                              | RYT302D5-□□2                | 3.0               | 5.9          | 19.5       | RNFTC30-20 | ACR2-5.5A                   | DCR2-5.5                 | EA53AC/40                 | EG53AC/40  |            |           |           |           |       |
|              |                    |                      |                              | RYT402D5-□□2                | 4.0               | 7.8          | 26.0       | RNFTC50-20 | ACR2-7.5A                   | DCR2-7.5                 | EA53AC/50                 | EG53AC/50  |            |           |           |           |       |
|              |                    |                      |                              | RYT502D5-□□2                | 5.0               | 9.8          | 32.5       | ACR2-11A   | DCR2-11                     | EA53AC/50                | EG53AC/50                 |            |            |           |           |           |       |
| 3-phase 200V |                    |                      | Single-phase 200V            | RYT501C5-□□2                | 0.5               | 1.0          | 5.8        | RNFTC10-20 | ACR2-1.5A                   | DCR2-1.5                 | EA32AC/10                 | EG32AC/10  | SC-03      |           |           |           |       |
|              |                    |                      |                              | RYT751C5-□□2                | 0.75              | 1.5          | 8.6        | RNFTC20-20 | ACR2-2.2A                   | DCR2-2.2                 | EA32AC/15                 | EG32AC/15  |            |           |           |           |       |
|              |                    |                      | 3-phase 200V                 | Single-phase 200V           | RYT501C5-□□2      | 0.5          | 1.0        | 3.3        | RNFTC06-20                  | ACR2-0.75A               | DCR2-0.75                 | EA33AC/10  | EG33AC/10  | SC-03     |           |           |       |
|              |                    |                      |                              |                             | RYT751C5-□□2      | 0.75         | 1.5        | 5.0        | RNFTC10-20                  | ACR2-1.5A                | DCR2-1.5                  | EA33AC/15  | EG33AC/15  |           |           |           |       |
| 1500r/min    | Single-phase 200V  | RYT102C5-□□2         | 1.0                          | 2.0                         | 6.6               | RNFTC20-20   | ACR2-2.2A  | DCR2-2.2   | EA33AC/20                   | EG33AC/20                | SC-4-1                    |            |            |           |           |           |       |
|              |                    | RYT152C5-□□2         | 1.5                          | 2.9                         | 9.8               |              |            |            |                             |                          |                           |            |            |           |           |           |       |
|              |                    | RYT202C5-□□2         | 2.0                          | 3.9                         | 13.0              |              |            |            |                             |                          |                           |            |            |           |           |           |       |
|              | 3-phase 200V       | RYT501B5-□□2         | 0.5                          | 1.0                         | 5.8               |              |            |            |                             |                          |                           | RNFTC10-20 | ACR2-1.5A  | DCR2-1.5  | EA32AC/10 | EG32AC/10 | SC-03 |
|              |                    | RYT501B5-□□2         | 0.5                          | 1.0                         | 3.3               |              |            |            |                             |                          |                           | RNFTC06-20 | ACR2-0.75A | DCR2-0.75 | EA33AC/10 | EG33AC/10 |       |
|              |                    | RYT851B5-□□2         | 0.85                         | 1.7                         | 5.6               |              |            |            |                             |                          |                           | RNFTC10-20 | ACR2-1.5A  | DCR2-1.5  | EA33AC/10 | EG33AC/10 |       |
| RYT132B5-□□2 | 1.3                | 2.6                  | 8.5                          | RNFTC20-20                  | ACR2-2.2A         | DCR2-2.2     | EA33AC/15  | EG33AC/15  | SC-0                        |                          |                           |            |            |           |           |           |       |

Option/Peripheral Equipment

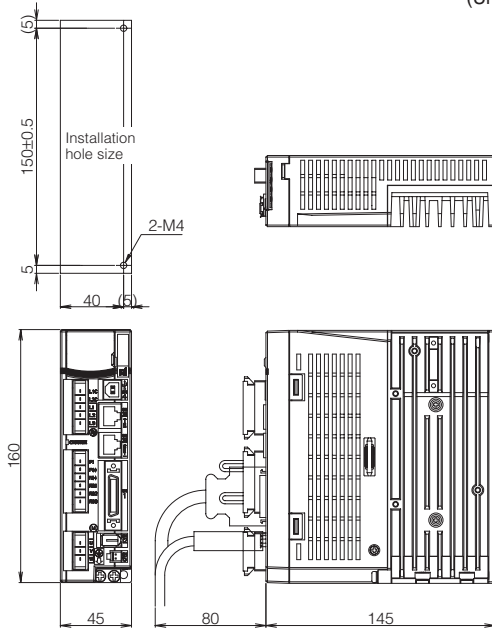
# External Dimensions

## Servo amplifier

### ■ Frame 1

| Power supply | Rated speed | Applicable motor output | Type          |
|--------------|-------------|-------------------------|---------------|
| 100V series  | 3000r/min   | 0.05kW                  | RYT500D5-□□ 6 |
|              |             | 0.1kW                   | RYT101D5-□□ 6 |
| 0.05kW       |             | RYT500D5-□□ 2           |               |
| 0.1kW        |             | RYT101D5-□□ 2           |               |
| 200V series  |             | 0.2kW                   | RYT201D5-□□ 2 |

(Unit: mm)

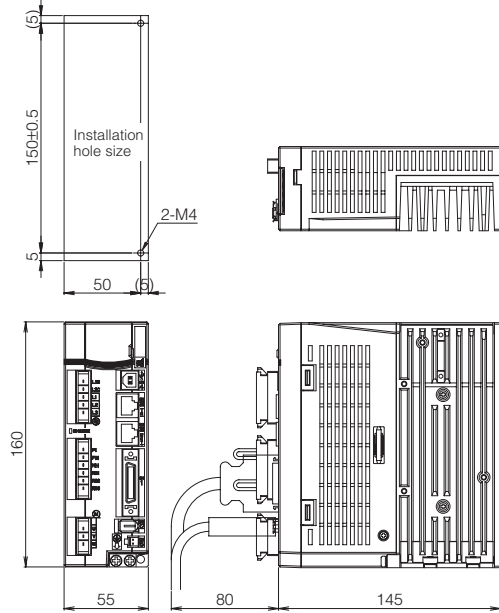


[Mass: 0.7kg]

### ■ Frame 2

| Power supply | Rated speed | Applicable motor output | Type          |
|--------------|-------------|-------------------------|---------------|
| 100V series  | 3000r/min   | 0.2kW                   | RYT201D5-□□ 6 |
| 200V series  |             | 0.4kW                   | RYT401D5-□□ 2 |

(Unit: mm)

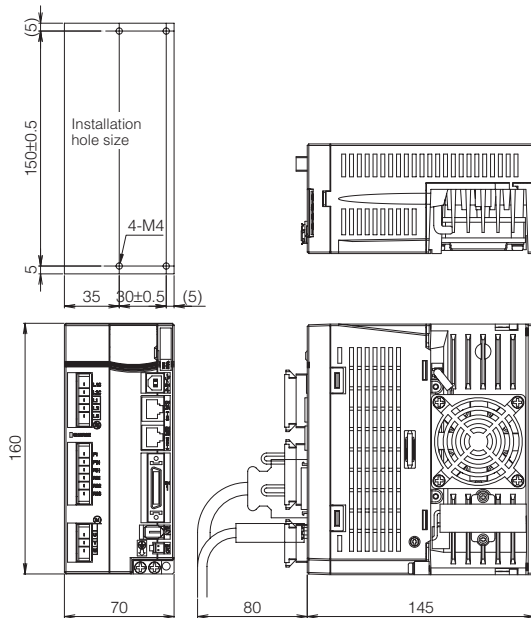


[Mass: 0.9kg]

### ■ Frame 3

| Power supply | Rated speed | Applicable motor output | Type          |
|--------------|-------------|-------------------------|---------------|
| 100V series  | 3000r/min   | 0.375kW                 | RYT401D5-□□ 6 |
|              | 1500r/min   | 0.5kW                   | RYT501B5-□□ 2 |
| 200V series  | 2000r/min   | 0.5kW                   | RYT501C5-□□ 2 |
|              |             | 0.75kW                  | RYT751C5-□□ 2 |
|              | 3000r/min   | 0.75kW                  | RYT751D5-□□ 2 |

(Unit: mm)

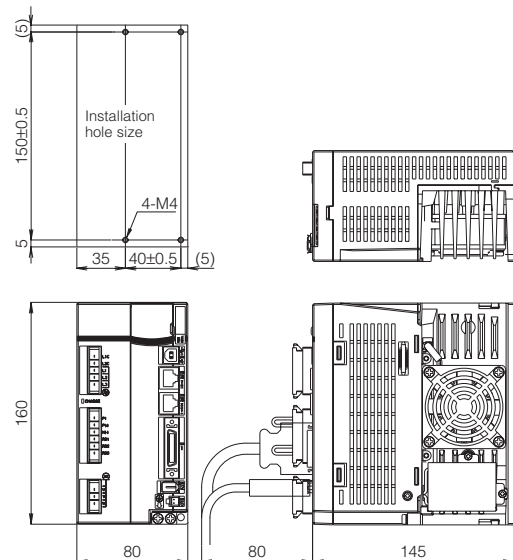


[Mass: 1.3kg]

### ■ Frame 4

| Rated speed | Applicable motor output | Type          |
|-------------|-------------------------|---------------|
| 1500r/min   | 0.85kW                  | RYT851B5-□□ 2 |
| 2000r/min   | 1.0kW                   | RYT102C5-□□ 2 |
| 3000r/min   | 1.0kW                   | RYT102D5-□□ 2 |
|             | 1.5kW                   | RYT152D5-□□ 2 |

(Unit: mm)



[Mass: 1.4kg]



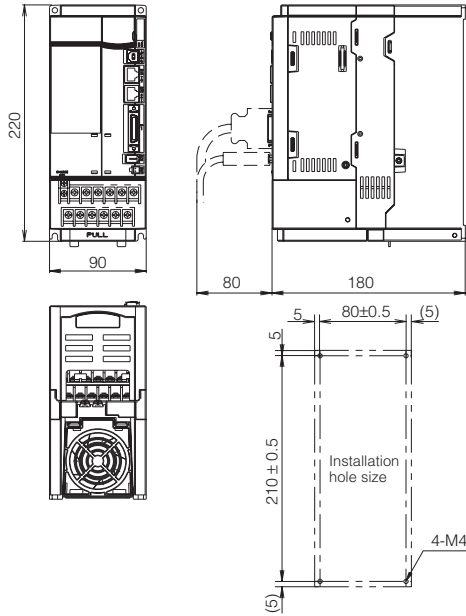
## External Dimensions

### Servo amplifier

#### ■ Frame 5

| Rated speed | Applicable motor output | Type           | Mass  |
|-------------|-------------------------|----------------|-------|
| 1500r/min   | 1.3kW                   | RYT132B5- □□ 2 | 2.9kg |
| 2000r/min   | 1.5kW                   | RYT152C5- □□ 2 |       |
| 3000r/min   | 2.0kW                   | RYT202C5- □□ 2 | 2.6kg |
|             | 2.0kW                   | RYT202D5- □□ 2 |       |
|             | 3.0kW                   | RYT302D5- □□ 2 |       |

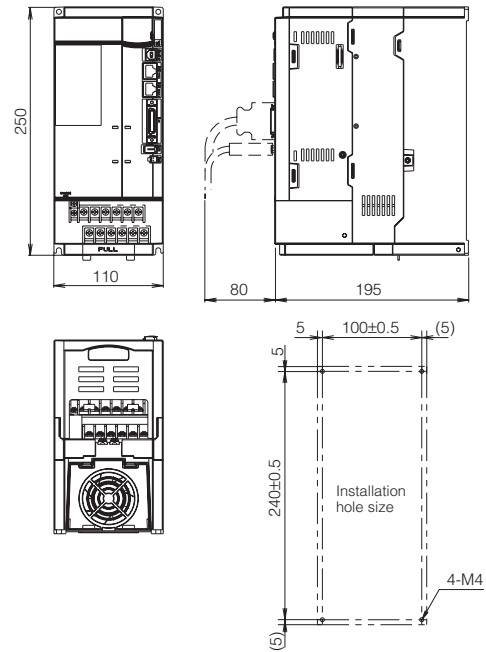
(Unit: mm)



#### ■ Frame 6

| Rated speed | Applicable motor output | Type           |
|-------------|-------------------------|----------------|
| 3000r/min   | 4.0kW                   | RYT402D5- □□ 2 |
|             | 5.0kW                   | RYT502D5- □□ 2 |

(Unit: mm)

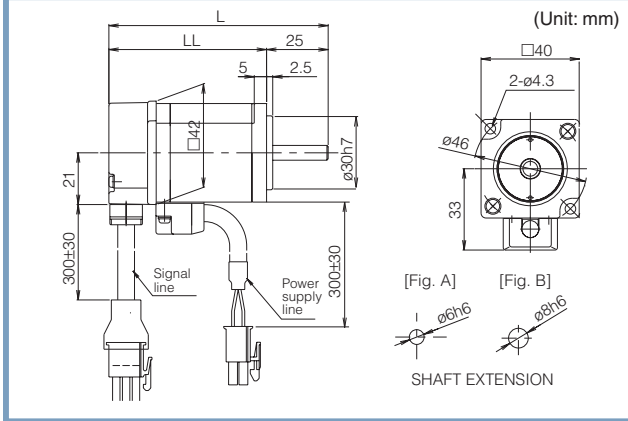


[Mass: 3.8kg]

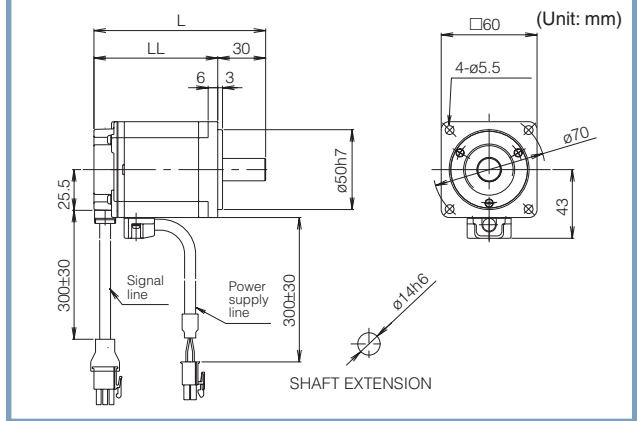
# External Dimensions

## GY S Motor

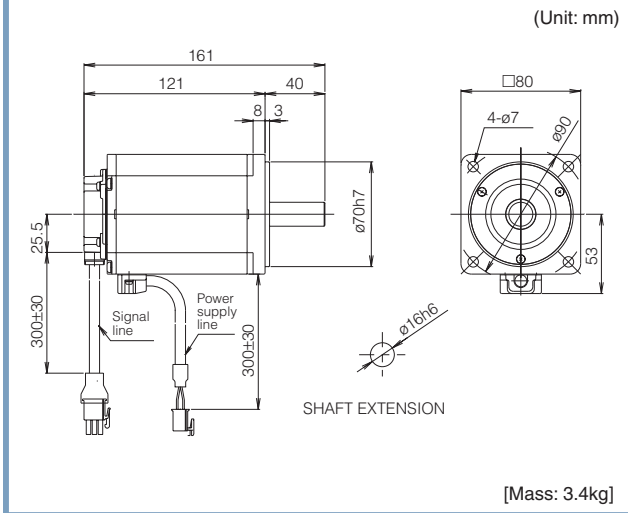
| Power supply | Rated speed | Rated output | Type           | Shaft shape | Over length | Dimensions(flange) |      | Mass [kg] |
|--------------|-------------|--------------|----------------|-------------|-------------|--------------------|------|-----------|
|              |             |              |                |             |             | L                  | LL   |           |
| 100V series  | 3000r/min   | 0.05kW       | GY S500D5-□ B6 | Fig. A      | 89          | 64                 | 0.45 |           |
|              |             | 0.1kW        | GY S101D5-□ B6 | Fig. B      | 107         | 82                 | 0.55 |           |
| 200V series  | 3000r/min   | 0.05kW       | GY S500D5-□ B2 | Fig. A      | 89          | 64                 | 0.45 |           |
|              |             | 0.1kW        | GY S101D5-□ B2 | Fig. B      | 107         | 82                 | 0.55 |           |



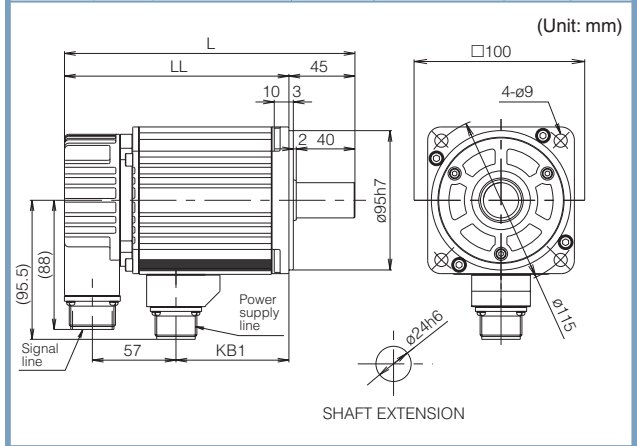
| Power supply | Rated speed | Rated output | Type           | Over length | Dimensions(flange) |     | Mass [kg] |
|--------------|-------------|--------------|----------------|-------------|--------------------|-----|-----------|
|              |             |              |                |             | L                  | LL  |           |
| 100V series  | 3000r/min   | 0.2kW        | GY S201D5-□ B6 | 107.5       | 77.5               | 1.2 |           |
|              |             | 0.375kW      | GY S401D5-□ B6 | 135.5       | 105.5              | 1.8 |           |
| 200V series  | 3000r/min   | 0.2kW        | GY S201D5-□ B2 | 107.5       | 77.5               | 1.2 |           |
|              |             | 0.4kW        | GY S401D5-□ B2 | 135.5       | 105.5              | 1.8 |           |



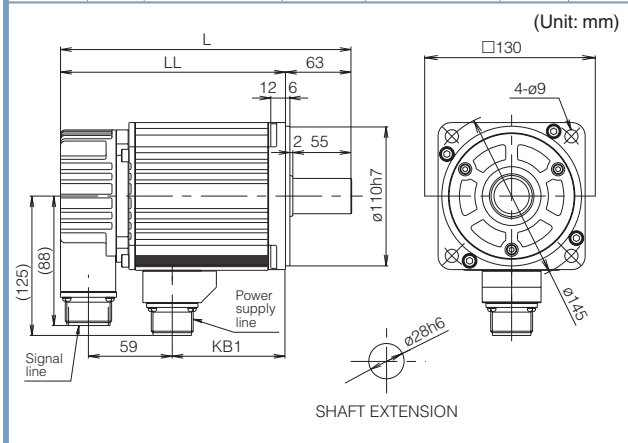
| Rated speed | Rated output | Type           |
|-------------|--------------|----------------|
| 3000r/min   | 0.75kW       | GY S751D5-□ B2 |



| Rated speed | Rated output | Type           | Over length |       | Terminal | Mass [kg] |
|-------------|--------------|----------------|-------------|-------|----------|-----------|
|             |              |                | L           | LL    |          |           |
| 3000r/min   | 1kW          | GY S102D5-□ B2 | 198         | 153   | 77       | 4.4       |
|             | 1.5kW        | GY S152D5-□ B2 | 220.5       | 175.5 | 99.5     | 5.2       |
|             | 2kW          | GY S202D5-□ B2 | 243         | 198   | 122      | 6.3       |



| Rated speed | Rated output | Type           | Over length |       | Terminal | Mass [kg] |
|-------------|--------------|----------------|-------------|-------|----------|-----------|
|             |              |                | L           | LL    |          |           |
| 3000r/min   | 3kW          | GY S302D5-□ B2 | 266.5       | 203.5 | 125.5    | 11        |
|             | 4kW          | GY S402D5-□ B2 | 296.5       | 233.5 | 155.5    | 13.5      |
|             | 5kW          | GY S502D5-□ B2 | 326.5       | 263.5 | 185.5    | 16        |

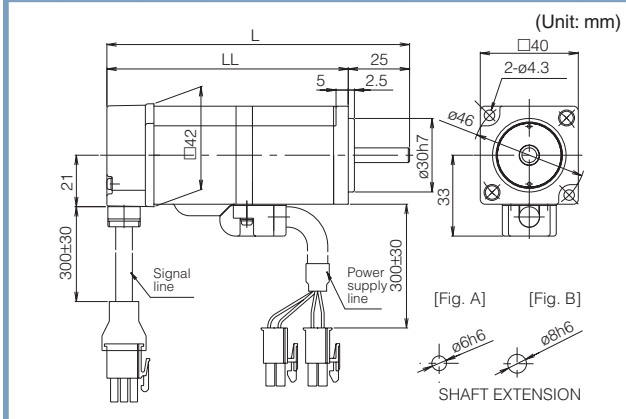


\* See page 32 for the shaft extension specifications of the motor with a key.

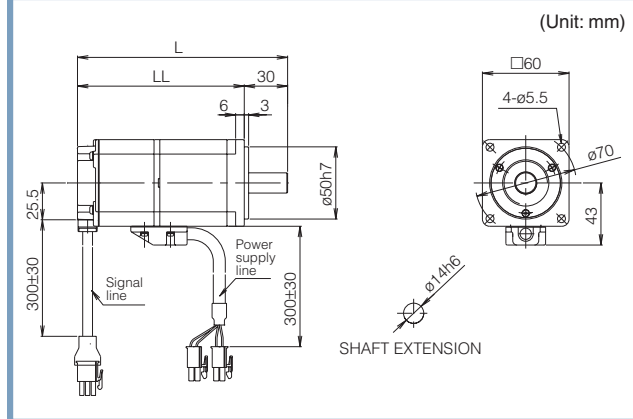
## External Dimensions

### GYS Motor (With a brake)

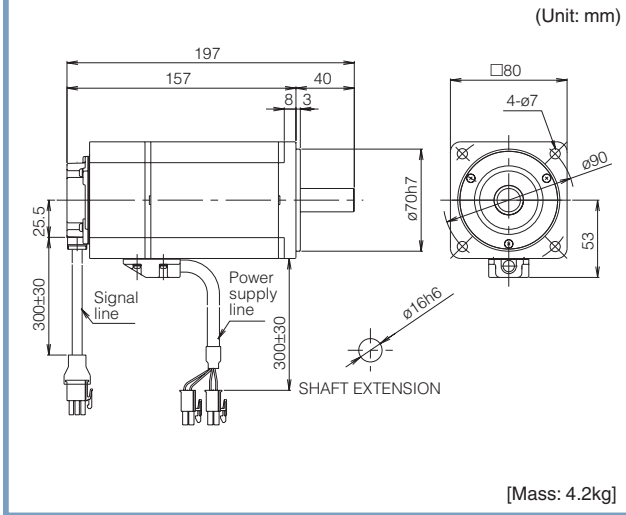
| Power supply | Rated speed | Rated output | Type            | Shaft shape | Over length<br>L | Dimensions(flange)<br>LL | Mass<br>[kg] |
|--------------|-------------|--------------|-----------------|-------------|------------------|--------------------------|--------------|
| 100V series  | 3000r/min   | 0.05kW       | GYS500D5-□ B6-B | Fig. A      | 123.5            | 98.5                     | 0.62         |
|              |             | 0.1kW        | GYS101D5-□ B6-B | Fig. B      | 141.5            | 116.5                    | 0.72         |
| 200V series  | 3000r/min   | 0.05kW       | GYS500D5-□ B2-B | Fig. A      | 123.5            | 98.5                     | 0.62         |
|              |             | 0.1kW        | GYS101D5-□ B2-B | Fig. B      | 141.5            | 116.5                    | 0.72         |



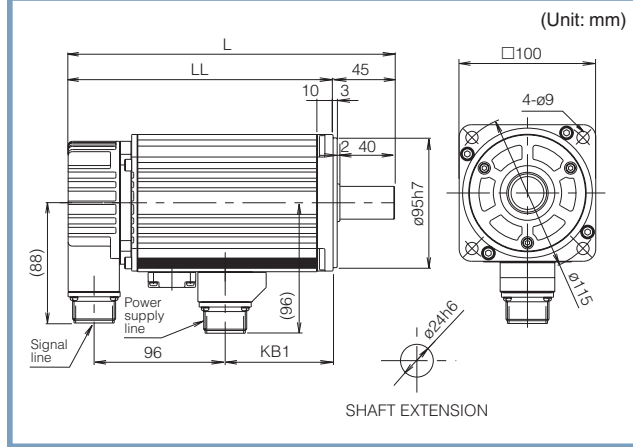
| Power supply | Rated speed | Rated output | Type            | Over length<br>L | Dimensions(flange)<br>LL | Mass<br>[kg] |
|--------------|-------------|--------------|-----------------|------------------|--------------------------|--------------|
| 100V series  | 3000r/min   | 0.2kW        | GYS201D5-□ B6-B | 145.5            | 115.5                    | 1.7          |
|              |             | 0.375kW      | GYS401D5-□ B6-B | 173.5            | 143.5                    | 2.3          |
| 200V series  | 3000r/min   | 0.2kW        | GYS201D5-□ B2-B | 145.5            | 115.5                    | 1.7          |
|              |             | 0.4kW        | GYS401D5-□ B2-B | 173.5            | 143.5                    | 2.3          |



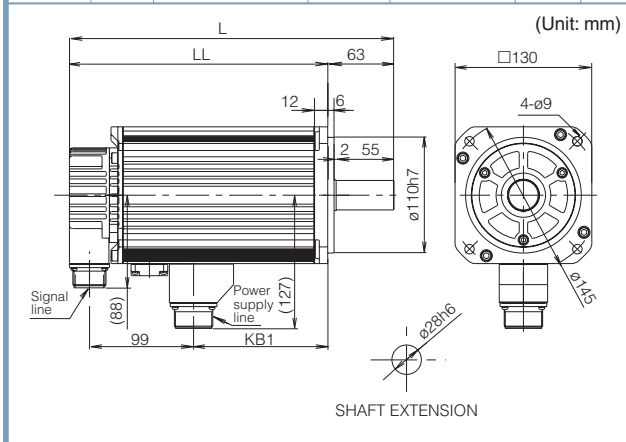
| Rated speed | Rated output | Type            |
|-------------|--------------|-----------------|
| 3000r/min   | 0.75kW       | GYS751D5-□ B2-B |



| Rated speed | Rated output | Type            | Over length<br>L | Dimensions(flange)<br>LL | Terminal<br>KB1 | Mass<br>[kg] |
|-------------|--------------|-----------------|------------------|--------------------------|-----------------|--------------|
| 3000r/min   | 1kW          | GYS102D5-□ B2-B | 239              | 194                      | 79              | 5.9          |
|             | 1.5kW        | GYS152D5-□ B2-B | 261.5            | 216.5                    | 101.5           | 6.8          |
|             | 2kW          | GYS202D5-□ B2-B | 284              | 239                      | 124             | 7.9          |



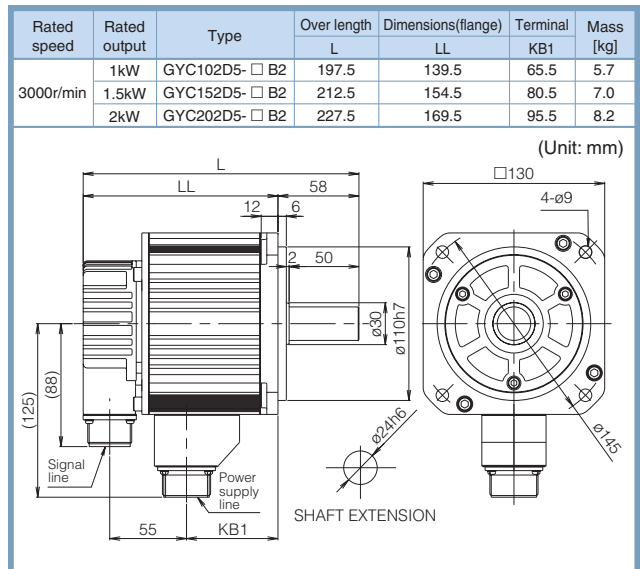
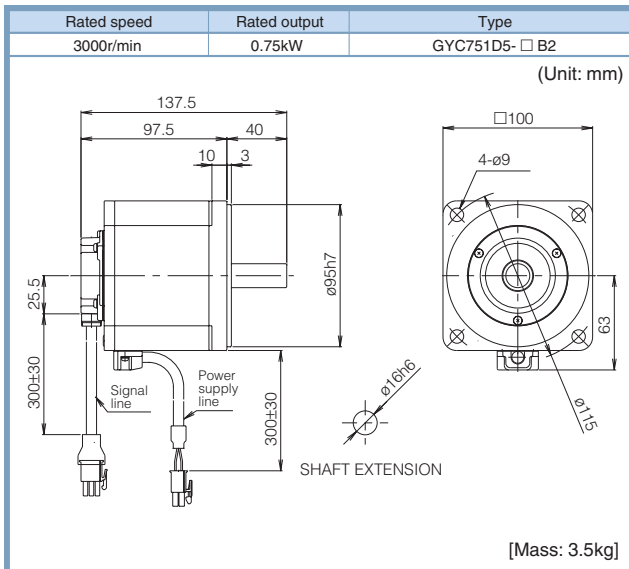
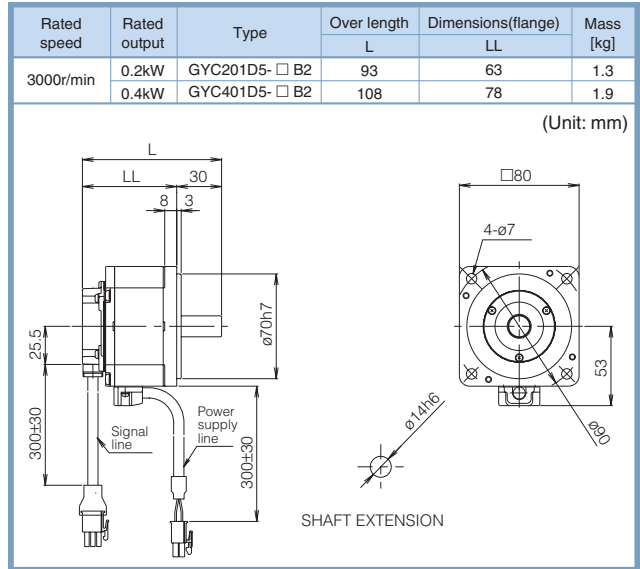
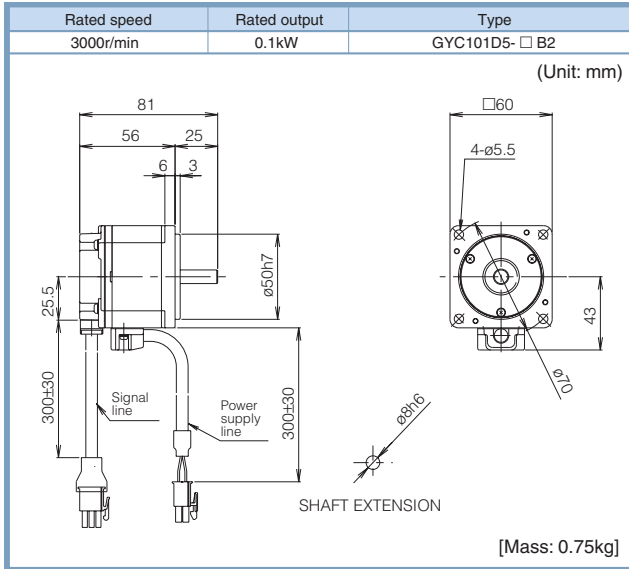
| Rated speed | Rated output | Type            | Over length<br>L | Dimensions(flange)<br>LL | Terminal<br>KB1 | Mass<br>[kg] |
|-------------|--------------|-----------------|------------------|--------------------------|-----------------|--------------|
| 3000r/min   | 3kW          | GYS302D5-□ B2-B | 308.5            | 245.5                    | 127.5           | 13           |
|             | 4kW          | GYS402D5-□ B2-B | 338.5            | 275.5                    | 157.5           | 15.5         |
|             | 5kW          | GYS502D5-□ B2-B | 368.5            | 305.5                    | 187.5           | 18           |



\* See page 32 for the shaft extension specifications of the motor with a key.

# External Dimensions

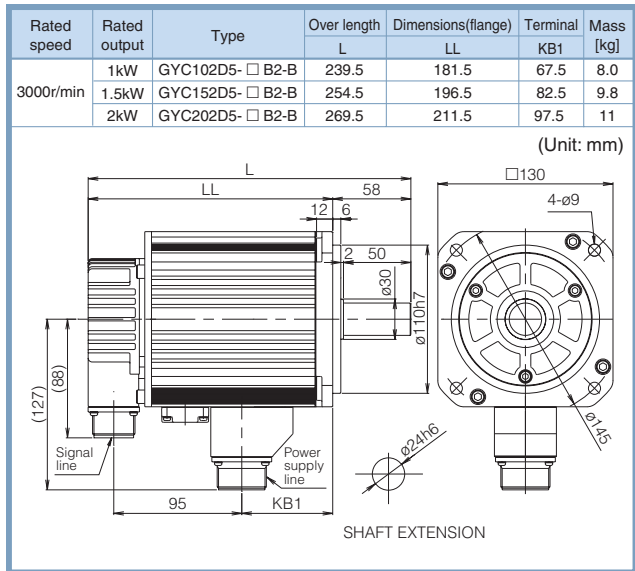
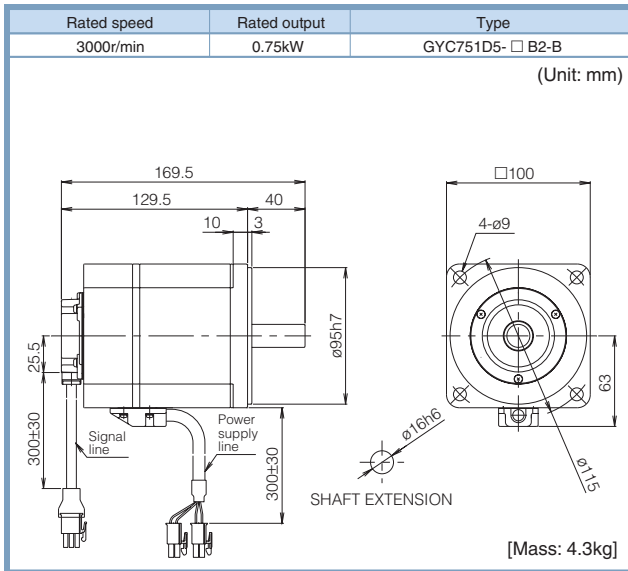
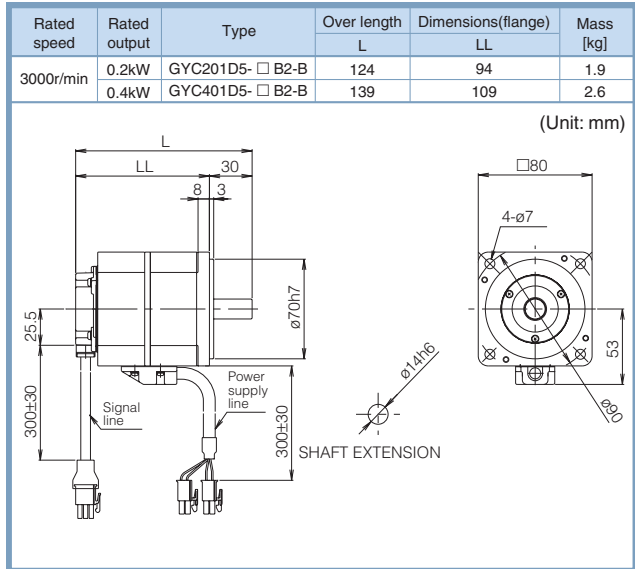
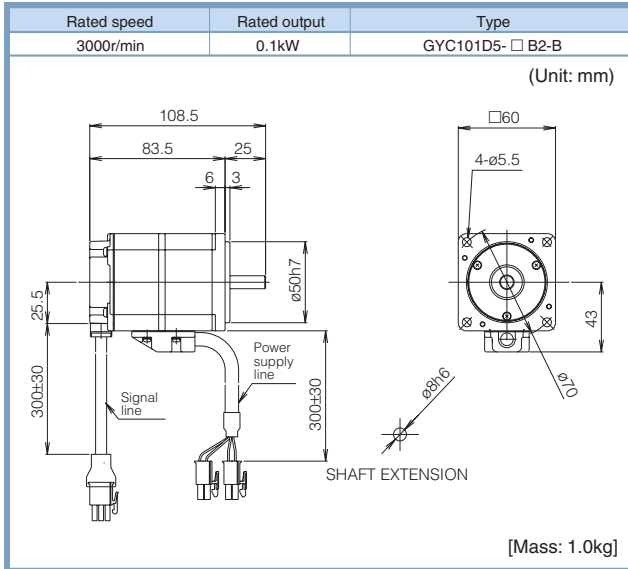
## GYC Motor



\* See page 32 for the shaft extension specifications of the motor with a key.

## External Dimensions

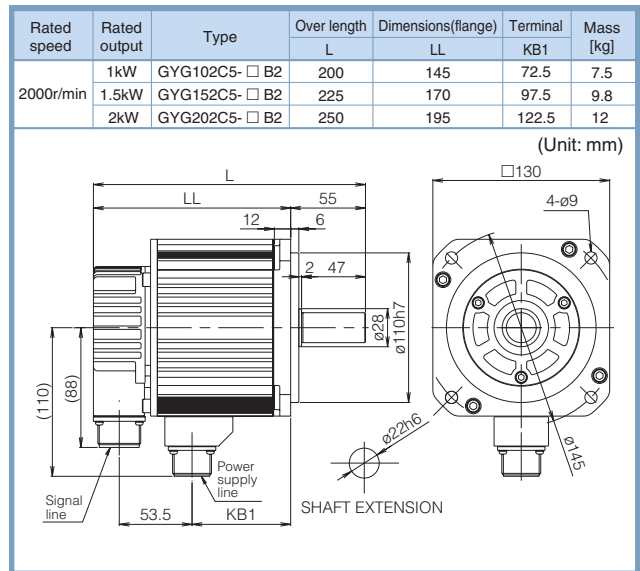
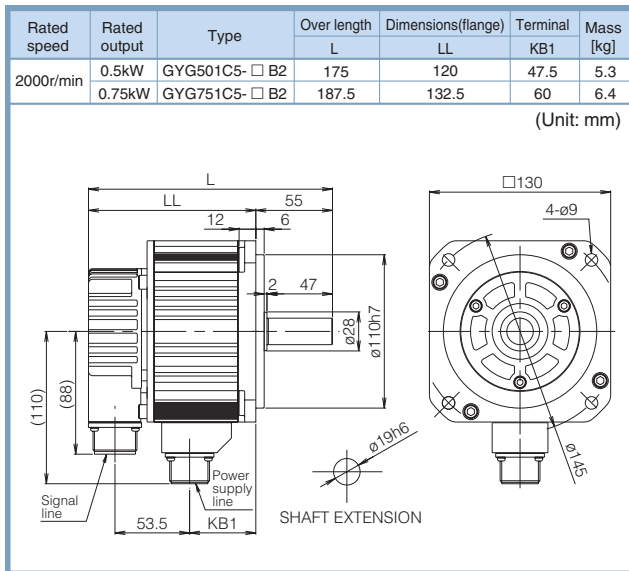
### GYC Motor (With a brake)



\* See page 32 for the shaft extension specifications of the motor with a key.

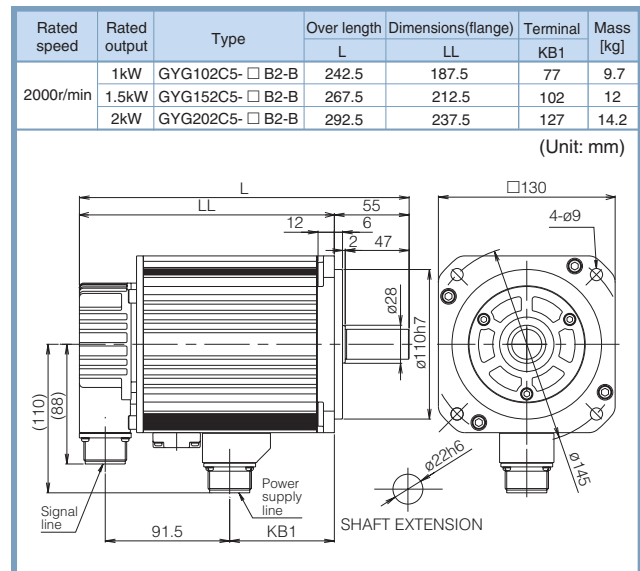
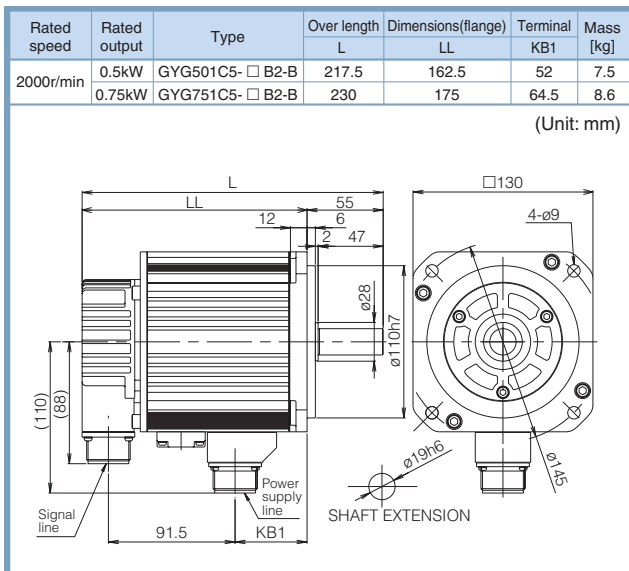
## External Dimensions

### GYG Motor [2000r/min]



\* See page 32 for the shaft extension specifications of the motor with a key.

### GYG Motor [2000r/min] (With a brake)



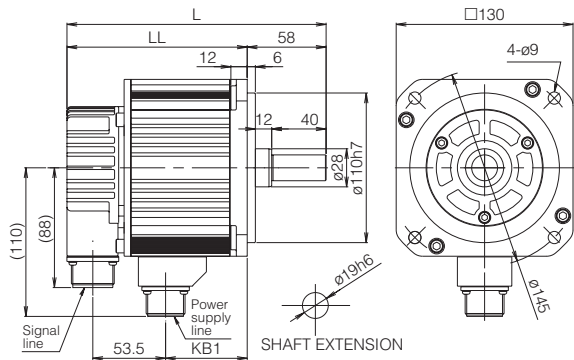
\* See page 32 for the shaft extension specifications of the motor with a key.

## External Dimensions

### GYG Motor [1500r/min]

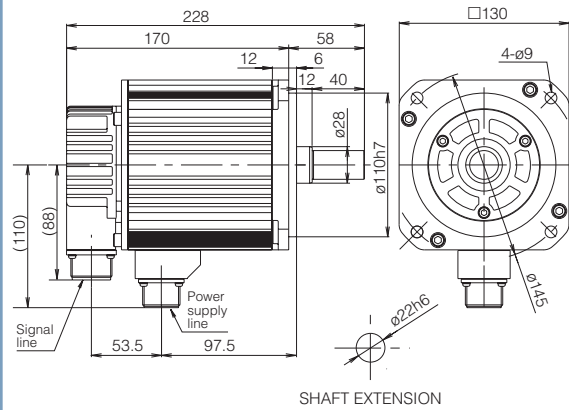
| Rated speed | Rated output | Type           | Over length |       | Dimensions(flange) |     | Terminal | Mass [kg] |
|-------------|--------------|----------------|-------------|-------|--------------------|-----|----------|-----------|
|             |              |                | L           | LL    | LL                 | LL  |          |           |
| 1500r/min   | 0.5kW        | GYG501B5- □ B2 | 190.5       | 132.5 | 60                 | 6.4 | KB1      | 7.5       |
|             | 0.85kW       | GYG851B5- □ B2 | 203         | 145   | 72.5               | 7.5 |          |           |

(Unit: mm)



| Rated speed | Rated output | Type           |
|-------------|--------------|----------------|
| 1500r/min   | 1.3kW        | GYG132B5- □ B2 |

(Unit: mm)



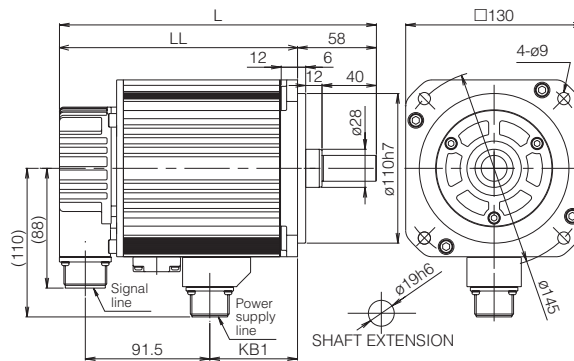
[Mass: 9.8kg]

\* See page 32 for the shaft extension specifications of the motor with a key.

### GYG Motor [1500r/min] (With a brake)

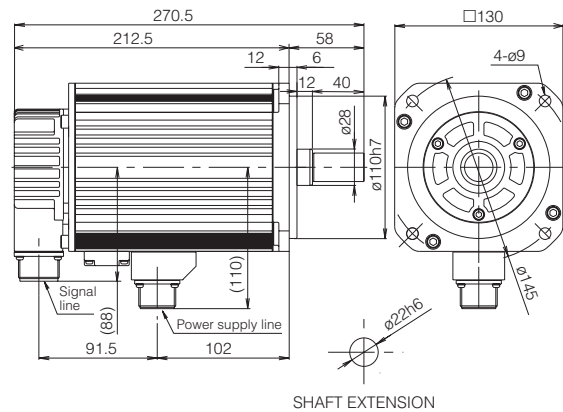
| Rated speed | Rated output | Type             | Over length |       | Dimensions(flange) |     | Terminal | Mass [kg] |
|-------------|--------------|------------------|-------------|-------|--------------------|-----|----------|-----------|
|             |              |                  | L           | LL    | LL                 | LL  |          |           |
| 1500r/min   | 0.5kW        | GYG501B5- □ B2-B | 233         | 175   | 64.5               | 8.6 | KB1      | 9.7       |
|             | 0.85kW       | GYG851B5- □ B2-B | 245.5       | 187.5 | 77                 | 9.7 |          |           |

(Unit: mm)



| Rated speed | Rated output | Type             |
|-------------|--------------|------------------|
| 1500r/min   | 1.3kW        | GYG132B5- □ B2-B |

(Unit: mm)

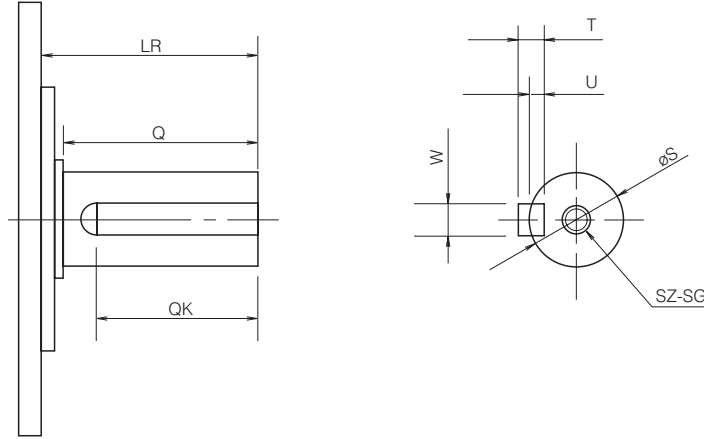


[Mass: 12kg]

\* See page 32 for the shaft extension specifications of the motor with a key.

## External Dimensions

### Shaft Extension Specifications (with a key, tapped)



| Motor type                 | LR | Q  | QK | S     | T | U   | W  | SZ | SG |    |       |   |    |    |
|----------------------------|----|----|----|-------|---|-----|----|----|----|----|-------|---|----|----|
| <b>GYS Motor</b>           |    |    |    |       |   |     |    |    |    |    |       |   |    |    |
| GYS500D5-□A□-□ *1          | 25 | -  | 14 | ø6h6  | 2 | 1.2 | 2  | -  | -  |    |       |   |    |    |
| GYS101D5-□A□-□ *1          | 30 |    | 20 | ø8h6  | 3 | 1.8 | 3  | -  | -  |    |       |   |    |    |
| GYS201D5-□C□-□             |    |    |    | 5     | 3 | 5   | M5 | 8  |    |    |       |   |    |    |
| GYS401D5-□C□-□             |    |    |    |       |   |     |    |    |    |    |       |   |    |    |
| GYS751D5-□C2-□             | 40 | 40 | 32 | ø16h6 | 7 | 4   | 8  | M8 | 16 |    |       |   |    |    |
| GYS102D5-□C2-□             | 45 |    |    | ø24h6 |   |     |    |    |    |    |       |   |    |    |
| GYS152D5-□C2-□             | 63 |    |    | 55    |   |     |    |    |    | 45 | ø28h6 |   |    |    |
| GYS202D5-□C2-□             |    |    |    |       |   |     |    |    |    |    |       |   |    |    |
| GYS302D5-□C2-□             |    |    |    |       |   |     |    |    |    |    |       |   |    |    |
| GYS402D5-□C2-□             |    |    |    |       |   |     |    |    |    |    |       |   |    |    |
| GYS502D5-□C2-□             |    |    |    |       |   |     |    |    |    |    |       |   |    |    |
| <b>GYC Motor</b>           |    |    |    |       |   |     |    |    |    |    |       |   |    |    |
| GYC101D5-□A2-□ *1          | 25 | -  | 14 | ø8h6  | 3 | 1.8 | 3  | -  | -  |    |       |   |    |    |
| GYC201D5-□C2-□             | 30 |    | 16 | ø14h6 | 5 | 3   | 5  | M5 | 8  |    |       |   |    |    |
| GYC401D5-□C2-□             | 40 |    |    |       |   |     |    |    |    | 22 | ø16h6 |   |    |    |
| GYC751D5-□C2-□             |    |    |    |       |   |     |    |    |    |    |       |   |    |    |
| GYC102D5-□C2-□             | 58 | 50 | 40 | ø24h6 | 7 | 4   | 8  | M8 | 16 |    |       |   |    |    |
| GYC152D5-□C2-□             |    |    |    |       |   |     |    |    |    |    |       |   |    |    |
| GYC202D5-□C2-□             |    |    |    |       |   |     |    |    |    |    |       |   |    |    |
| <b>GYG Motor 2000r/min</b> |    |    |    |       |   |     |    |    |    |    |       |   |    |    |
| GYG501C5-□C2-□             | 55 | 47 | 35 | ø19h6 | 6 | 3.5 | 6  | M6 | 12 |    |       |   |    |    |
| GYG751C5-□C2-□             |    |    |    | ø22h6 |   |     |    |    |    | 7  | 4     | 8 | M8 | 16 |
| GYG102C5-□C2-□             |    |    |    |       |   |     |    |    |    |    |       |   |    |    |
| GYG152C5-□C2-□             |    |    |    |       |   |     |    |    |    |    |       |   |    |    |
| GYG202C5-□C2-□             |    |    |    |       |   |     |    |    |    |    |       |   |    |    |
| <b>GYG Motor 1500r/min</b> |    |    |    |       |   |     |    |    |    |    |       |   |    |    |
| GYG501B5-□C2-□             | 58 | 40 | 30 | ø19h6 | 6 | 3.5 | 6  | M6 | 12 |    |       |   |    |    |
| GYG851B5-□C2-□             |    |    |    | ø22h6 |   |     |    |    |    | 7  | 4     | 8 | M8 | 16 |
| GYG132B5-□C2-□             |    |    |    |       |   |     |    |    |    |    |       |   |    |    |

\*1 The shaft extension of the GYS and GYC motors of 0.1kW or less is not tapped.



## Model List

### Servo amplifier

| Specifications                      |   |   |                                     |                                    |                                |                                     |                             |        |         |              |
|-------------------------------------|---|---|-------------------------------------|------------------------------------|--------------------------------|-------------------------------------|-----------------------------|--------|---------|--------------|
| Model                               | Control mode  | Command interface   | Input power supply                  | Applicable motor                   | Applicable motor output        | Product code                        | Type                        |        |         |              |
| VV type                             | Position, speed and torque control<br>(With built-in linear positioning function) | General-purpose interface<br>(pulse or analog voltage)<br>(Di/Do)<br>(Modbus-RTU) | Single-phase or 3-phase 200 to 240V | GYS, GYC motor<br>3000r/min        | 0.05kW                         | RYT1201                             | RYT500D5-VV2                |        |         |              |
|                                     |   |   | 3-phase 200 to 240V                 |                                    | 0.1kW                          | RYT1202                             | RYT101D5-VV2                |        |         |              |
|                                     |   |   |                                     |                                    | 0.2kW                          | RYT1203                             | RYT201D5-VV2                |        |         |              |
|                                     |   |   |                                     |                                    | 0.4kW                          | RYT1204                             | RYT401D5-VV2                |        |         |              |
|                                     |   |   |                                     |                                    | 0.75kW                         | RYT1205                             | RYT751D5-VV2                |        |         |              |
|                                     |   |   |                                     |                                    | 1.0kW                          | RYT1206                             | RYT102D5-VV2                |        |         |              |
|                                     |   |   |                                     |                                    | 1.5kW                          | RYT1207                             | RYT152D5-VV2                |        |         |              |
|                                     |   |   |                                     |                                    | 2.0kW                          | RYT1208                             | RYT202D5-VV2                |        |         |              |
|                                     |   |   |                                     |                                    | 3.0kW                          | RYT1209                             | RYT302D5-VV2                |        |         |              |
|                                     |   |   |                                     |                                    | 4.0kW                          | RYT1210                             | RYT402D5-VV2                |        |         |              |
|                                     |   |   |                                     | 5.0kW                              | RYT1211                        | RYT502D5-VV2                        |                             |        |         |              |
|                                     |   |   | Single-phase 100V                   | GYS motor<br>3000r/min             | 0.05kW                         | RYT3251                             | RYT500D5-VV6                |        |         |              |
|                                     |   |   | Single-phase or 3-phase 200 to 240V |                                    | 0.1kW                          | RYT3252                             | RYT101D5-VV6                |        |         |              |
|                                     |   |   |                                     |                                    | 0.2kW                          | RYT3253                             | RYT201D5-VV6                |        |         |              |
|                                     |   |   | 0.375kW                             | RYT3254                            | RYT401D5-VV6                   |                                     |                             |        |         |              |
|                                     |   |   | Single-phase or 3-phase 200 to 240V | GYG motor<br>2000r/min             | 0.5kW                          | RYT1231                             | RYT501C5-VV2                |        |         |              |
|                                     |   |   |                                     |                                    | 0.75kW                         | RYT1232                             | RYT751C5-VV2                |        |         |              |
|                                     |   |   | 3-phase 200 to 240V                 | GYG motor<br>2000r/min             | 1.0kW                          | RYT1233                             | RYT102C5-VV2                |        |         |              |
|                                     |   |   |                                     |                                    | 1.5kW                          | RYT1234                             | RYT152C5-VV2                |        |         |              |
|                                     |   |   | Single-phase or 3-phase 200 to 240V | GYG motor<br>1500r/min             | 0.5kW                          | RYT3261                             | RYT501B5-VV2                |        |         |              |
|                                     |   |   |                                     |                                    | 0.85kW                         | RYT3262                             | RYT851B5-VV2                |        |         |              |
|                                     |   |   | 3-phase 200 to 240V                 | GYG motor<br>1500r/min             | 1.3kW                          | RYT3263                             | RYT132B5-VV2                |        |         |              |
|                                     |   |   | VS type                             | Position, speed and torque control | High speed serial bus (SX bus) | Single-phase or 3-phase 200 to 240V | GYS, GYC motor<br>3000r/min | 0.05kW | RYT1001 | RYT500D5-VS2 |
|                                     |   |   |                                     |                                    |                                | 3-phase 200 to 240V                 |                             | 0.1kW  | RYT1002 | RYT101D5-VS2 |
| 0.2kW                               | RYT1003   | RYT201D5-VS2  |                                     |                                    |                                |                                     |                             |        |         |              |
| 0.4kW                               | RYT1004   | RYT401D5-VS2  |                                     |                                    |                                |                                     |                             |        |         |              |
| 0.75kW                              | RYT1005   | RYT751D5-VS2  |                                     |                                    |                                |                                     |                             |        |         |              |
| 1.0kW                               | RYT1006   | RYT102D5-VS2  |                                     |                                    |                                |                                     |                             |        |         |              |
| 1.5kW                               | RYT1007   | RYT152D5-VS2  |                                     |                                    |                                |                                     |                             |        |         |              |
| 2.0kW                               | RYT1008   | RYT202D5-VS2  |                                     |                                    |                                |                                     |                             |        |         |              |
| 3.0kW                               | RYT1009   | RYT302D5-VS2  |                                     |                                    |                                |                                     |                             |        |         |              |
| 4.0kW                               | RYT1010   | RYT402D5-VS2  |                                     |                                    |                                |                                     |                             |        |         |              |
| 5.0kW                               | RYT1011   | RYT502D5-VS2  |                                     |                                    |                                |                                     |                             |        |         |              |
| Single-phase 100V                   | GYS motor<br>3000r/min  | 0.05kW  |                                     |                                    |                                | RYT3051                             | RYT500D5-VS6                |        |         |              |
| Single-phase or 3-phase 200 to 240V |   | 0.1kW   |                                     |                                    |                                | RYT3052                             | RYT101D5-VS6                |        |         |              |
|                                     |   | 0.2kW   |                                     |                                    |                                | RYT3053                             | RYT201D5-VS6                |        |         |              |
| 0.375kW                             | RYT3054   | RYT401D5-VS6  |                                     |                                    |                                |                                     |                             |        |         |              |
| Single-phase or 3-phase 200 to 240V | GYG motor<br>2000r/min  | 0.5kW   |                                     |                                    |                                | RYT1031                             | RYT501C5-VS2                |        |         |              |
|                                     |   | 0.75kW  |                                     |                                    |                                | RYT1032                             | RYT751C5-VS2                |        |         |              |
| 3-phase 200 to 240V                 | GYG motor<br>2000r/min  | 1.0kW   |                                     |                                    |                                | RYT1033                             | RYT102C5-VS2                |        |         |              |
|                                     |   | 1.5kW   |                                     |                                    |                                | RYT1034                             | RYT152C5-VS2                |        |         |              |
| Single-phase or 3-phase 200 to 240V | GYG motor<br>1500r/min  | 2.0kW   |                                     |                                    |                                | RYT1035                             | RYT202C5-VS2                |        |         |              |
|                                     |   | 0.5kW   |                                     |                                    |                                | RYT3061                             | RYT501B5-VS2                |        |         |              |
| 3-phase 200 to 240V                 | GYG motor<br>1500r/min  | 0.85kW  |                                     |                                    |                                | RYT3062                             | RYT851B5-VS2                |        |         |              |
|                                     |   | 1.3kW   |                                     |                                    |                                | RYT3063                             | RYT132B5-VS2                |        |         |              |
| LS type                             | Position control<br>(With built-in linear positioning function)                   | High speed serial bus (SX bus)  |                                     |                                    |                                | Single-phase or 3-phase 200 to 240V | GYS, GYC motor<br>3000r/min | 0.05kW | RYT3101 | RYT500D5-LS2 |
|                                     |   |   | 3-phase 200 to 240V                 | 0.1kW                              | RYT3102                        | RYT101D5-LS2                        |                             |        |         |              |
|                                     |   |   |                                     | 0.2kW                              | RYT3103                        | RYT201D5-LS2                        |                             |        |         |              |
|                                     |   |   |                                     | 0.4kW                              | RYT3104                        | RYT401D5-LS2                        |                             |        |         |              |
|                                     |   |   |                                     | 0.75kW                             | RYT3105                        | RYT751D5-LS2                        |                             |        |         |              |
|                                     |   |   |                                     | 1.0kW                              | RYT3106                        | RYT102D5-LS2                        |                             |        |         |              |
|                                     |   |   |                                     | 1.5kW                              | RYT3107                        | RYT152D5-LS2                        |                             |        |         |              |
|                                     |   |   |                                     | 2.0kW                              | RYT3108                        | RYT202D5-LS2                        |                             |        |         |              |
|                                     |   |   |                                     | 3.0kW                              | RYT3109                        | RYT302D5-LS2                        |                             |        |         |              |
|                                     |   |   |                                     | 4.0kW                              | RYT3110                        | RYT402D5-LS2                        |                             |        |         |              |
|                                     |   |   |                                     | 5.0kW                              | RYT3111                        | RYT502D5-LS2                        |                             |        |         |              |
|                                     |   |   | Single-phase 100V                   | GYS motor<br>3000r/min             | 0.05kW                         | RYT3151                             | RYT500D5-LS6                |        |         |              |
|                                     |   |   | Single-phase or 3-phase 200 to 240V |                                    | 0.1kW                          | RYT3152                             | RYT101D5-LS6                |        |         |              |
|                                     |   |   |                                     |                                    | 0.2kW                          | RYT3153                             | RYT201D5-LS6                |        |         |              |
|                                     |   |   | 0.375kW                             | RYT3154                            | RYT401D5-LS6                   |                                     |                             |        |         |              |
|                                     |   |   | Single-phase or 3-phase 200 to 240V | GYG motor<br>2000r/min             | 0.5kW                          | RYT3131                             | RYT501C5-LS2                |        |         |              |
|                                     |   |   |                                     |                                    | 0.75kW                         | RYT3132                             | RYT751C5-LS2                |        |         |              |
|                                     |   |   | 3-phase 200 to 240V                 | GYG motor<br>2000r/min             | 1.0kW                          | RYT3133                             | RYT102C5-LS2                |        |         |              |
|                                     |   |   |                                     |                                    | 1.5kW                          | RYT3134                             | RYT152C5-LS2                |        |         |              |
|                                     |   |   | Single-phase or 3-phase 200 to 240V | GYG motor<br>1500r/min             | 2.0kW                          | RYT3135                             | RYT202C5-LS2                |        |         |              |
|                                     |   |   |                                     |                                    | 0.5kW                          | RYT3161                             | RYT501B5-LS2                |        |         |              |
|                                     |   |   | 3-phase 200 to 240V                 | GYG motor<br>1500r/min             | 0.85kW                         | RYT3162                             | RYT851B5-LS2                |        |         |              |
|                                     |   |   |                                     |                                    | 1.3kW                          | RYT3163                             | RYT132B5-LS2                |        |         |              |

# Model List

## Servomotor

| Specifications                   |              |                |                                    |                |                 |              | Rated output | Product code                       | Type           |                 |         |              |
|----------------------------------|--------------|----------------|------------------------------------|----------------|-----------------|--------------|--------------|------------------------------------|----------------|-----------------|---------|--------------|
| Model                            | Voltage      | Rated speed    | Oil seal/shaft                     | Encoder        | Brake           |              |              |                                    |                |                 |         |              |
| GYS motor<br>(ultra low inertia) | 200V         | 3000r/min      | Without an oil seal and a key (*1) | 18-bit ABS/INC | Without a brake | 0.05kW       | GYS1301      | GYS500D5-HB2                       |                |                 |         |              |
|                                  |              |                |                                    |                |                 | 0.1kW        | GYS1302      | GYS101D5-HB2                       |                |                 |         |              |
|                                  |              |                |                                    |                |                 | 0.2kW        | GYS1303      | GYS201D5-HB2                       |                |                 |         |              |
|                                  |              |                |                                    |                |                 | 0.4kW        | GYS1304      | GYS401D5-HB2                       |                |                 |         |              |
|                                  |              |                |                                    |                |                 | 0.75kW       | GYS1305      | GYS751D5-HB2                       |                |                 |         |              |
|                                  |              |                |                                    |                |                 | 1.0kW        | GYS1306      | GYS102D5-HB2                       |                |                 |         |              |
|                                  |              |                |                                    |                |                 | 1.5kW        | GYS1307      | GYS152D5-HB2                       |                |                 |         |              |
|                                  |              |                |                                    |                |                 | 2.0kW        | GYS1308      | GYS202D5-HB2                       |                |                 |         |              |
|                                  |              |                |                                    |                |                 | 3.0kW        | GYS1309      | GYS302D5-HB2                       |                |                 |         |              |
|                                  |              |                |                                    |                |                 | 4.0kW        | GYS1310      | GYS402D5-HB2                       |                |                 |         |              |
|                                  |              |                |                                    |                |                 | 5.0kW        | GYS1311      | GYS502D5-HB2                       |                |                 |         |              |
|                                  |              |                |                                    |                |                 | With a brake | 0.05kW       | GYS1321                            | GYS500D5-HB2-B |                 |         |              |
|                                  |              |                |                                    |                | 0.1kW           |              | GYS1322      | GYS101D5-HB2-B                     |                |                 |         |              |
|                                  |              |                |                                    |                | 0.2kW           |              | GYS1323      | GYS201D5-HB2-B                     |                |                 |         |              |
|                                  |              |                |                                    |                | 0.4kW           |              | GYS1324      | GYS401D5-HB2-B                     |                |                 |         |              |
|                                  |              |                |                                    |                | 0.75kW          |              | GYS1325      | GYS751D5-HB2-B                     |                |                 |         |              |
|                                  |              |                |                                    |                | 1.0kW           |              | GYS1326      | GYS102D5-HB2-B                     |                |                 |         |              |
|                                  |              |                |                                    |                | 1.5kW           |              | GYS1327      | GYS152D5-HB2-B                     |                |                 |         |              |
|                                  |              |                |                                    |                | 2.0kW           |              | GYS1328      | GYS202D5-HB2-B                     |                |                 |         |              |
|                                  |              |                |                                    |                | 3.0kW           |              | GYS1329      | GYS302D5-HB2-B                     |                |                 |         |              |
|                                  |              |                |                                    |                | 4.0kW           |              | GYS1330      | GYS402D5-HB2-B                     |                |                 |         |              |
|                                  |              |                |                                    |                | 5.0kW           |              | GYS1331      | GYS502D5-HB2-B                     |                |                 |         |              |
|                                  |              |                |                                    |                | 100V            |              | 3000r/min    | Without an oil seal and a key (*1) | 18-bit ABS/INC | Without a brake | 0.05kW  | GYS1341      |
|                                  |              |                |                                    |                |                 | 0.1kW        |              |                                    |                |                 | GYS1342 | GYS101D5-RB2 |
|                                  | 0.2kW        | GYS1343        | GYS201D5-RB2                       |                |                 |              |              |                                    |                |                 |         |              |
|                                  | 0.4kW        | GYS1344        | GYS401D5-RB2                       |                |                 |              |              |                                    |                |                 |         |              |
|                                  | 0.75kW       | GYS1345        | GYS751D5-RB2                       |                |                 |              |              |                                    |                |                 |         |              |
|                                  | 1.0kW        | GYS1346        | GYS102D5-RB2                       |                |                 |              |              |                                    |                |                 |         |              |
|                                  | 1.5kW        | GYS1347        | GYS152D5-RB2                       |                |                 |              |              |                                    |                |                 |         |              |
|                                  | 2.0kW        | GYS1348        | GYS202D5-RB2                       |                |                 |              |              |                                    |                |                 |         |              |
|                                  | 3.0kW        | GYS1349        | GYS302D5-RB2                       |                |                 |              |              |                                    |                |                 |         |              |
|                                  | 4.0kW        | GYS1350        | GYS402D5-RB2                       |                |                 |              |              |                                    |                |                 |         |              |
|                                  | 5.0kW        | GYS1351        | GYS502D5-RB2                       |                |                 |              |              |                                    |                |                 |         |              |
|                                  | With a brake | 0.05kW         | GYS1361                            | GYS500D5-RB2-B |                 |              |              |                                    |                |                 |         |              |
|                                  |              | 0.1kW          | GYS1362                            | GYS101D5-RB2-B |                 |              |              |                                    |                |                 |         |              |
|                                  |              | 0.2kW          | GYS1363                            | GYS201D5-RB2-B |                 |              |              |                                    |                |                 |         |              |
|                                  |              | 0.4kW          | GYS1364                            | GYS401D5-RB2-B |                 |              |              |                                    |                |                 |         |              |
|                                  |              | 0.75kW         | GYS1365                            | GYS751D5-RB2-B |                 |              |              |                                    |                |                 |         |              |
|                                  |              | 1.0kW          | GYS1366                            | GYS102D5-RB2-B |                 |              |              |                                    |                |                 |         |              |
|                                  |              | 1.5kW          | GYS1367                            | GYS152D5-RB2-B |                 |              |              |                                    |                |                 |         |              |
|                                  |              | 2.0kW          | GYS1368                            | GYS202D5-RB2-B |                 |              |              |                                    |                |                 |         |              |
|                                  |              | 3.0kW          | GYS1369                            | GYS302D5-RB2-B |                 |              |              |                                    |                |                 |         |              |
|                                  |              | 4.0kW          | GYS1370                            | GYS402D5-RB2-B |                 |              |              |                                    |                |                 |         |              |
|                                  |              | 5.0kW          | GYS1371                            | GYS502D5-RB2-B |                 |              |              |                                    |                |                 |         |              |
|                                  |              | 20-bit INC     | Without a brake                    | 0.05kW         |                 | GYS1601      |              |                                    |                | GYS500D5-HB6    |         |              |
|                                  | 0.1kW        |                |                                    | GYS1602        |                 | GYS101D5-HB6 |              |                                    |                |                 |         |              |
|                                  | 0.2kW        |                |                                    | GYS1603        | GYS201D5-HB6    |              |              |                                    |                |                 |         |              |
|                                  | 0.375kW      |                |                                    | GYS1604        | GYS401D5-HB6    |              |              |                                    |                |                 |         |              |
| With a brake                     | 0.05kW       |                |                                    | GYS1621        | GYS500D5-HB6-B  |              |              |                                    |                |                 |         |              |
|                                  | 0.1kW        |                |                                    | GYS1622        | GYS101D5-HB6-B  |              |              |                                    |                |                 |         |              |
|                                  | 0.2kW        |                | GYS1623                            | GYS201D5-HB6-B |                 |              |              |                                    |                |                 |         |              |
|                                  | 0.375kW      |                | GYS1624                            | GYS401D5-HB6-B |                 |              |              |                                    |                |                 |         |              |
|                                  | 20-bit INC   |                | Without a brake                    | 0.05kW         | GYS1641         | GYS500D5-RB6 |              |                                    |                |                 |         |              |
|                                  |              |                |                                    | 0.1kW          | GYS1642         | GYS101D5-RB6 |              |                                    |                |                 |         |              |
| 0.2kW                            |              |                |                                    | GYS1643        | GYS201D5-RB6    |              |              |                                    |                |                 |         |              |
| With a brake                     |              |                | 0.375kW                            | GYS1644        | GYS401D5-RB6    |              |              |                                    |                |                 |         |              |
|                                  |              | 0.05kW         | GYS1661                            | GYS500D5-RB6-B |                 |              |              |                                    |                |                 |         |              |
|                                  |              | 0.1kW          | GYS1662                            | GYS101D5-RB6-B |                 |              |              |                                    |                |                 |         |              |
| 0.2kW                            | GYS1663      | GYS201D5-RB6-B |                                    |                |                 |              |              |                                    |                |                 |         |              |
| 0.375kW                          | GYS1364      | GYS401D5-RB6-B |                                    |                |                 |              |              |                                    |                |                 |         |              |

\*1: The motor with a shaft extension with a key and tapped is available as a semi-standard item. (See page 32 for shaft extension specifications.)  
The other specifications are handled as a made-to-order item.

## Model List

### Servomotor

| Specifications                |         |                |                                    |                               |                 |                 | Product code   | Type                               |                 |                 |         |                |                |
|-------------------------------|---------|----------------|------------------------------------|-------------------------------|-----------------|-----------------|----------------|------------------------------------|-----------------|-----------------|---------|----------------|----------------|
| Model                         | Voltage | Rated speed    | Oil seal/shaft                     | Encoder                       | Brake           | Rated output    |                |                                    |                 |                 |         |                |                |
| GYC motor<br>(low inertia)    | 200V    | 3000r/min      | Without an oil seal and a key (*1) | 18-bit ABS/INC                | Without a brake | 0.1kW           | GYC1301        | GYC101D5-HB2                       |                 |                 |         |                |                |
|                               |         |                |                                    |                               |                 | 0.2kW           | GYC1302        | GYC201D5-HB2                       |                 |                 |         |                |                |
|                               |         |                |                                    |                               |                 | 0.4kW           | GYC1303        | GYC401D5-HB2                       |                 |                 |         |                |                |
|                               |         |                |                                    |                               |                 | 0.75kW          | GYC1304        | GYC751D5-HB2                       |                 |                 |         |                |                |
|                               |         |                |                                    |                               |                 | 1.0kW           | GYC1305        | GYC102D5-HB2                       |                 |                 |         |                |                |
|                               |         |                |                                    |                               |                 | 1.5kW           | GYC1306        | GYC152D5-HB2                       |                 |                 |         |                |                |
|                               |         |                |                                    |                               |                 | 2.0kW           | GYC1307        | GYC202D5-HB2                       |                 |                 |         |                |                |
|                               |         |                |                                    |                               | With a brake    | 0.1kW           | GYC1321        | GYC101D5-HB2-B                     |                 |                 |         |                |                |
|                               |         |                |                                    |                               |                 | 0.2kW           | GYC1322        | GYC201D5-HB2-B                     |                 |                 |         |                |                |
|                               |         |                |                                    |                               |                 | 0.4kW           | GYC1323        | GYC401D5-HB2-B                     |                 |                 |         |                |                |
|                               |         |                |                                    |                               |                 | 0.75kW          | GYC1324        | GYC751D5-HB2-B                     |                 |                 |         |                |                |
|                               |         |                |                                    |                               |                 | 1.0kW           | GYC1325        | GYC102D5-HB2-B                     |                 |                 |         |                |                |
|                               |         |                |                                    |                               |                 | 1.5kW           | GYC1326        | GYC152D5-HB2-B                     |                 |                 |         |                |                |
|                               |         |                |                                    |                               |                 | 2.0kW           | GYC1327        | GYC202D5-HB2-B                     |                 |                 |         |                |                |
|                               |         |                |                                    | 20-bit INC                    | Without a brake | 0.1kW           | GYC1341        | GYC101D5-RB2                       |                 |                 |         |                |                |
|                               |         |                |                                    |                               |                 | 0.2kW           | GYC1342        | GYC201D5-RB2                       |                 |                 |         |                |                |
|                               |         |                |                                    |                               |                 | 0.4kW           | GYC1343        | GYC401D5-RB2                       |                 |                 |         |                |                |
|                               |         |                |                                    |                               |                 | 0.75kW          | GYC1344        | GYC751D5-RB2                       |                 |                 |         |                |                |
|                               |         |                |                                    |                               |                 | 1.0kW           | GYC1345        | GYC102D5-RB2                       |                 |                 |         |                |                |
|                               |         |                |                                    |                               |                 | 1.5kW           | GYC1346        | GYC152D5-RB2                       |                 |                 |         |                |                |
|                               |         |                |                                    |                               |                 | 2.0kW           | GYC1347        | GYC202D5-RB2                       |                 |                 |         |                |                |
|                               |         |                |                                    |                               | With a brake    | 0.1kW           | GYC1361        | GYC101D5-RB2-B                     |                 |                 |         |                |                |
|                               |         |                |                                    |                               |                 | 0.2kW           | GYC1362        | GYC201D5-RB2-B                     |                 |                 |         |                |                |
|                               |         |                |                                    |                               |                 | 0.4kW           | GYC1363        | GYC401D5-RB2-B                     |                 |                 |         |                |                |
|                               |         |                |                                    |                               |                 | 0.75kW          | GYC1364        | GYC751D5-RB2-B                     |                 |                 |         |                |                |
|                               |         |                |                                    |                               |                 | 1.0kW           | GYC1365        | GYC102D5-RB2-B                     |                 |                 |         |                |                |
|                               |         |                |                                    |                               |                 | 1.5kW           | GYC1366        | GYC152D5-RB2-B                     |                 |                 |         |                |                |
|                               |         |                |                                    |                               |                 | 2.0kW           | GYC1367        | GYC202D5-RB2-B                     |                 |                 |         |                |                |
| GYG motor<br>(medium inertia) | 200V    | 2000r/min      | Without an oil seal and a key (*1) | 18-bit ABS/INC                | Without a brake | 0.5kW           | GYG1301        | GYG501C5-HB2                       |                 |                 |         |                |                |
|                               |         |                |                                    |                               |                 | 0.75kW          | GYG1302        | GYG751C5-HB2                       |                 |                 |         |                |                |
|                               |         |                |                                    |                               |                 | 1.0kW           | GYG1303        | GYG102C5-HB2                       |                 |                 |         |                |                |
|                               |         |                |                                    |                               |                 | 1.5kW           | GYG1304        | GYG152C5-HB2                       |                 |                 |         |                |                |
|                               |         |                |                                    |                               |                 | 2.0kW           | GYG1305        | GYG202C5-HB2                       |                 |                 |         |                |                |
|                               |         |                |                                    |                               |                 | 0.5kW           | GYG1321        | GYG501C5-HB2-B                     |                 |                 |         |                |                |
|                               |         |                |                                    |                               |                 | 0.75kW          | GYG1322        | GYG751C5-HB2-B                     |                 |                 |         |                |                |
|                               |         |                |                                    |                               | 1.0kW           | GYG1323         | GYG102C5-HB2-B |                                    |                 |                 |         |                |                |
|                               |         |                |                                    |                               | 1.5kW           | GYG1324         | GYG152C5-HB2-B |                                    |                 |                 |         |                |                |
|                               |         |                |                                    |                               | 2.0kW           | GYG1325         | GYG202C5-HB2-B |                                    |                 |                 |         |                |                |
|                               |         |                |                                    |                               | 20-bit INC      | Without a brake | 0.5kW          | GYG1401                            | GYG501C5-RB2    |                 |         |                |                |
|                               |         |                |                                    |                               |                 |                 | 0.75kW         | GYG1402                            | GYG751C5-RB2    |                 |         |                |                |
|                               |         |                |                                    |                               |                 |                 | 1.0kW          | GYG1403                            | GYG102C5-RB2    |                 |         |                |                |
|                               |         |                |                                    |                               |                 |                 | 1.5kW          | GYG1404                            | GYG152C5-RB2    |                 |         |                |                |
|                               |         |                |                                    | 2.0kW                         |                 |                 | GYG1405        | GYG202C5-RB2                       |                 |                 |         |                |                |
|                               |         |                |                                    | 0.5kW                         |                 |                 | GYG1421        | GYG501C5-RB2-B                     |                 |                 |         |                |                |
|                               |         |                |                                    | 0.75kW                        |                 |                 | GYG1422        | GYG751C5-RB2-B                     |                 |                 |         |                |                |
|                               |         |                |                                    | 1.0kW                         |                 | GYG1423         | GYG102C5-RB2-B |                                    |                 |                 |         |                |                |
|                               |         |                |                                    | 1.5kW                         |                 | GYG1424         | GYG152C5-RB2-B |                                    |                 |                 |         |                |                |
|                               |         |                |                                    | 2.0kW                         |                 | GYG1425         | GYG202C5-RB2-B |                                    |                 |                 |         |                |                |
|                               |         |                |                                    | GYG motor<br>(medium inertia) |                 | 200V            | 1500r/min      | Without an oil seal and a key (*1) | 18-bit ABS/INC  | Without a brake | 0.5kW   | GYG1501        | GYG501B5-HB2   |
|                               |         |                |                                    |                               |                 |                 |                |                                    |                 |                 | 0.85kW  | GYG1502        | GYG851B5-HB2   |
|                               |         |                |                                    |                               |                 |                 |                |                                    |                 |                 | 1.3kW   | GYG1503        | GYG132B5-HB2   |
|                               |         |                |                                    |                               |                 |                 |                |                                    |                 | With a brake    | 0.5kW   | GYG1521        | GYG501B5-HB2-B |
|                               |         |                |                                    |                               | 0.85kW          |                 |                |                                    |                 |                 | GYG1522 | GYG851B5-HB2-B |                |
|                               |         |                |                                    |                               | 1.3kW           |                 |                |                                    |                 |                 | GYG1523 | GYG132B5-HB2-B |                |
|                               |         |                |                                    |                               | 0.5kW           |                 |                |                                    |                 |                 | GYG1601 | GYG501B5-RB2   |                |
|                               |         |                |                                    |                               | 20-bit INC      |                 |                |                                    | Without a brake | 0.85kW          | GYG1602 | GYG851B5-RB2   |                |
| 1.3kW                         | GYG1603 | GYG132B5-RB2   |                                    |                               |                 |                 |                |                                    |                 |                 |         |                |                |
| 0.5kW                         | GYG1621 | GYG501B5-RB2-B |                                    |                               |                 |                 |                |                                    |                 |                 |         |                |                |
| With a brake                  | 0.85kW  | GYG1622        | GYG851B5-RB2-B                     |                               |                 |                 |                |                                    |                 |                 |         |                |                |
|                               | 1.3kW   | GYG1623        | GYG132B5-RB2-B                     |                               |                 |                 |                |                                    |                 |                 |         |                |                |

\*1: The motor with a shaft extension with a key and tapped is available as a semi-standard item. (See page 32 for shaft extension specifications.)  
The other specifications are handled as a made-to-order item.

## Model List

## Option

### ■ Connector and cable

| Name  |   | Specifications                        | Product code                                      | Type                         |                             |              |              |
|---|---|---------------------------------------|---|------------------------------|-----------------------------|--------------|--------------|
| For main circuit of amplifier                 | Power supply connector (for amplifier control power and main power supply)                      | 0.05 to 1.5kW (to 1.0kW with GYG)     | 1 set   | RYWS043                      | WSK-S05P-E                  |              |              |
|   | DC circuit connector (wiring of external regenerative resistor, DC reactor, DC link circuit) *1 | 0.05 to 1.5kW (to 1.0kW with GYG)     | 1 set   | RYWS044                      | WSK-R06P-E                  |              |              |
| For sequence I/O (between host and amplifier) | Motor power connector (wiring of main motor power)  | 0.05 to 1.5kW (to 1.0kW with GYG)     | 1 set   | RYWS045                      | WSK-M03P-E                  |              |              |
|   | Sequence I/O cable  | All capacities                        | 3m (bare wires on one side)                       | RYWS802                      | WSC-D36P03                  |              |              |
| For encoder (between amplifier and motor)     | Encoder cable   | 3000r/min for 0.05 to 0.75kW          | 1 set   | RYWS022                      | WSK-D36P                    |              |              |
|   |   |                                       | 2m (connector at both ends)                       | RYWS862                      | WSC-P06P02-E                |              |              |
|   |   |                                       | 5m (connector at both ends)                       | RYWS863                      | WSC-P06P05-E                |              |              |
|   |   |                                       | 10m (connector at both ends)                      | RYWS864                      | WSC-P06P10-E                |              |              |
|   | Encoder connector kit *4  | Amplifier side : All capacities       | 1 set   | RYWS023                      | WSK-P06P-M                  |              |              |
|   |   |                                       |   | RYWS036                      | WSK-P09P-D                  |              |              |
|   |   |                                       |   | RYWS025                      | WSK-P06P-C                  |              |              |
|   | For motor power (between amplifier and motor)   | Motor power cable                     | For main motor power *2                           | GYS, GYC : 0.05 to 0.75kW    | 2m (bare wires on one side) | RYWS868      | WSC-M04P02-E |
|   |   |                                       |   | 5m (bare wires on one side)  | RYWS869                     | WSC-M04P05-E |              |
|   |   |                                       |   | 10m (bare wires on one side) | RYWS870                     | WSC-M04P10-E |              |
| 20m (bare wires on one side)                  |   |                                       |   | RYWS871                      | WSC-M04P20-E                |              |              |
| For brake power *3                            |   |                                       | GYS, GYC : 0.05 to 0.75kW                         | 2m (bare wires on one side)  | RYWS874                     | WSC-M02P02-E |              |
|   |   |                                       | 5m (bare wires on one side)                       | RYWS875                      | WSC-M02P05-E                |              |              |
|   |   |                                       | 10m (bare wires on one side)                      | RYWS876                      | WSC-M02P10-E                |              |              |
|   |   |                                       | 20m (bare wires on one side)                      | RYWS877                      | WSC-M02P20-E                |              |              |
| Motor power connector kit                     |   | For main motor power *4               | Motor side : 0.05 to 0.75kW                       | 1 set                        | RYWS046                     | WSK-M04P-E   |              |
|   |   |                                       |   | 1 set                        | RYWS047                     | WSK-M02P-E   |              |
|   |   | For brake power *4                    | Motor side : 0.05 to 0.75kW                       | 1 set                        | RYWS027                     | WSK-M04P-CA  |              |
|   |   |                                       |   | 1 set                        | RYWS031                     | WSK-M04P-CB  |              |
|   |   | For main motor power + brake power *4 | Motor side : GYS 1.0 to 2.0kW<br>GYC 0.5 to 2.0kW | 1 set                        | RYWS029                     | WSK-M06P-CA  |              |
|   |   |                                       |   | 1 set                        | RYWS032                     | WSK-M06P-CB  |              |
| For SX bus                                    | SX bus cable  | For VS and LS type servo amplifiers   | 0.3m (connector at both ends)                     | NP1C001                      | NP1C-P3                     |              |              |
|   |   |                                       | 0.6m (connector at both ends)                     | NP1C002                      | NP1C-P6                     |              |              |
|   |   |                                       | 0.8m (connector at both ends)                     | NP1C003                      | NP1C-P8                     |              |              |
|   |   |                                       | 2m (connector at both ends)                       | NP1C004                      | NP1C-02                     |              |              |
|   |   |                                       | 5m (connector at both ends)                       | NP1C005                      | NP1C-05                     |              |              |
|   |   |                                       | 10m (connector at both ends)                      | NP1C006                      | NP1C-10                     |              |              |
|   |   |                                       | 15m (connector at both ends)                      | NP1C016                      | NP1C-15                     |              |              |
|   |   |                                       | 25m (connector at both ends)                      | NP1C007                      | NP1C-25                     |              |              |

\*1: One connector is included in the accessory of the main body of the servo amplifier.

\*2: Use this cable with motor power connector (on amplifier side) WSK-M03P-E.

\*3: Use this cable as a brake cable of the motor equipped with a brake.

\*4: Use this connector when the customer fabricates a cable at arbitrary length.

### ■ Common options

| Specifications                 |   | Product code   | Type                          |         |          |
|--------------------------------|---|--|-------------------------------|---------|----------|
| ABS backup battery             | Set of battery and case (*With case)    | 1 set  | RYWS007                       | WSB-SC  |          |
|                                | Battery (*Discrete replacement battery) | 1 piece  | RYWS003                       | WSB-S   |          |
| External regenerative resistor | 200V                                    | 3000r/min for 0.05 to 0.4kW  | RYWS010                       | WSR-401 |          |
|                                |   | 3000r/min for 0.75 to 1.5kW, 2000r/min for 0.5 to 1.0kW, 1500r/min for 0.5 to 0.85kW | RYWS012                       | WSR-152 |          |
|                                |   | 3000r/min for 2.0 to 3.0kW, 2000r/min 1.5 to 2.0kW, 1500r/min 1.3kW                  | RGWG339                       | DB11-2  |          |
|                                |   | 3000r/min for 4.0 to 5.0kW   | RGWG342                       | DB22-2  |          |
|                                |   | 100V   | 3000r/min for 0.05 to 0.375kW | RYWS011 | WSR-751  |
| For PC loader connection       | RS-232C - RS-485 conversion adaptor     | For connection of RS-485 port  | —                             | NW0H003 | NW0H-CNV |
|                                | Cable                                   | of VV type servo amplifier *1  | 2m (connector at both ends)   | RYWS005 | WSC-PCL  |

\*1: Prepare a marketed USB cable (A-B type) for the USB port.

## Service Network



### Fuji FA Service Centers

- Overseas Service Center  
[Service Area: Far East Asia]  
5-7, Nihonbashi  
Odemma-cho, Chuo-ku, Tokyo, 103-0011, Japan  
Phone: (03)5847-8072
- USA Service Center  
[Service Area: USA, Canada, Central & South America]  
5550 Cerritos Ave. Suite H Cypress, CA. 90630  
USA  
Phone: (714)220-1879
- CHICAGO Service Station  
4825 N. Scott St. Suite 210, Schiller Park, IL 60176  
USA  
Phone: (847)233-9844
- EC Service Center  
[Service Area: Europe, Middle East & Africa]  
Goethering 58, 63067  
Oftenbach/ Main Germany  
Phone: (69)669029-0
- South East Asia & Oceania Service Center  
[Service Area: SE & S Asia, Oceania]  
171 Chin Swee Road, #12-01,  
San Centre, Singapore 169877  
Phone: (6481)5079
- FUJI-ELECTRIC TECHNOLOGY AND SERVICE (SHENZHEN) CO., LTD  
[Service Area: China]  
5F, Liming Bldg., No.144,  
Zhongxing Rd., Luohu District, Shenzhen  
Phone: (0755)8220-2745, 8218-4287

### Contracted Service Companies

- USA, Canada, Central & South America Area  
USA  
OESS CORPORATION(Head Office:NEW JERSEY)
- ① NEW JERSEY  
800 Huyler Street Teterboro, NJ 07608, USA  
Phone: (201)288-4422
- ② CHICAGO  
4825 N Scott Suite 210, Schiller park, IL 60176, USA  
Phone: (847)233-9412
- ③ LOS ANGELES  
5550 Cerritos Ave. Suite H, Cypress, CA 90630  
USA  
Phone: (714)220-1879
- ④ SAN JOSE  
1440, Koll Circle, Suite 107, San Jose, CA 95112  
USA  
Phone: (408)437-1582
- ⑤ PORTLAND  
7921 SW Cirrus Drive, Beaverton, OR 97008, USA  
Phone: (503)520-5044
- Far East Asia Area
- ⑥ KOREA  
GAIUS INDUSTRIES CO., LTD.  
Cana Bldg., 10-59, Yangjae-Dong, Seocho-Gu,  
Seoul, 137-887, R.O. KOREA  
Phone: (02)3463-0766

- ⑦ TAIWAN  
ELTA Electrical Co., Ltd.  
4F, No.32. Sec. 3, Cheng TehRoad,  
Taipei, Taiwan  
Phone: (02)2597-6458
- ⑦ TAIWAN  
Full Key International Technology Ltd  
12F, No.111-8, HSING TEH RD., SAN-CHUNG  
CITY, TAIPEI, TAIWAN  
Phone: (02)2995-2008
- Europe, Middle East & Africa Area
- ⑧ F.R.GERMANY  
OESS GmbH.  
Senefelder Strasse 1, 63110 Rodgau,  
F.R.GERMANY  
Phone: (06106)285-7890
- SE & S Asia, Oceania
- ⑨ SINGAPORE  
Fuji Technical Center (S'pore) Pte Ltd.  
Block 5000 Ang Mo kio Ave 5 #02-03 Techplacell  
SINGAPORE 569870  
Phone: (6481)5079
- ⑩ AUSTRALIA  
CNC and ROBOTIC AUTOMATED SERVICES  
Unit 33/16 Macquarie Place Boronia Victoria 3155,  
AUSTRALIA  
Phone: (03)9483-8629
- ⑪ INDIA  
AUTONUM CONTROLS PVT LTD.  
109, Sagar Building, Prabhat Industrial Estate,  
W.E. Highway, Befor Check Naka, Dahisar-East,  
Mumbai 400 068 INDIA  
Phone: (022)28960027

### ■ To all our customers who purchase Fuji Electric products included in this catalog:

Please take the following items into consideration when placing your order.

When requesting an estimate and placing your orders for the products included in these materials, please be aware that any items such as specifications which are not specifically mentioned in the contract, catalog, specifications or other materials will be as mentioned below.

In addition, the products included in these materials are limited in the use they are put to and the place where they can be used, etc., and may require periodic inspection. Please confirm these points with your sales representative or directly with this company.

Furthermore, regarding purchased products and delivered products, we request that you take adequate consideration of the necessity of rapid receiving inspections and of product management and maintenance even before receiving your products.

#### 1. Free of Charge Warranty Period and Warranty Range

##### 1-1 Free of charge warranty period

- (1) The product warranty period is "1 year from the date of purchase" or 24 months from the manufacturing date imprinted on the name plate, whichever date is earlier.
- (2) However, in cases where the use environment, conditions of use, use frequency and times used, etc., have an effect on product life, this warranty period may not apply.
- (3) Furthermore, the warranty period for parts restored by Fuji Electric's Service Department is "6 months from the date that repairs are completed."

##### 1-2 Warranty range

- (1) In the event that breakdown occurs during the product's warranty period which is the responsibility of Fuji Electric, Fuji Electric will replace or repair the part of the product that has broken down free of charge at the place where the product was purchased or where it was delivered. However, if the following cases are applicable, the terms of this warranty may not apply.
  - 1) The breakdown was caused by inappropriate conditions, environment, handling or use methods, etc. which are not specified in the catalog, operation manual, specifications or other relevant documents.
  - 2) The breakdown was caused by the product other than the purchased or delivered Fuji's product.
  - 3) The breakdown was caused by the product other than Fuji's product, such as the customer's equipment or software design, etc.
  - 4) Concerning the Fuji's programmable products, the breakdown was caused by a program other than a program supplied by this company, or the results from using such a program.
  - 5) The breakdown was caused by modifications or repairs affected by a party other than Fuji Electric.
  - 6) The breakdown was caused by improper maintenance or replacement using consumables, etc. specified in the operation manual or catalog, etc.
  - 7) The breakdown was caused by a chemical or technical problem that was not foreseen when making practical application of the product at the time it was purchased or delivered.
  - 8) The product was not used in the manner the product was originally intended to be used.
  - 9) The breakdown was caused by a reason which is not this company's responsibility, such as lightning or other disaster.
- (2) Furthermore, the warranty specified herein shall be limited to the purchased or delivered product alone.
- (3) The upper limit for the warranty range shall be as specified in item (1) above and any damages (damage to or loss of machinery or equipment, or lost profits from the same, etc.) consequent to or resulting from breakdown of the purchased or delivered product shall be excluded from coverage by this warranty.

##### 1-3. Trouble diagnosis

As a rule, the customer is requested to carry out a preliminary trouble diagnosis. However, at the customer's request, this company or its service network can perform the trouble diagnosis on a chargeable basis. In this case, the customer is asked to assume the burden for charges levied in accordance with this company's fee schedule.

#### 2. Exclusion of Liability for Loss of Opportunity, etc.

Regardless of whether a breakdown occurs during or after the free of charge warranty period, this company shall not be liable for any loss of opportunity, loss of profits, or damages arising from special circumstances, secondary damages, accident compensation to another company, or damages to products other than this company's products, whether foreseen or not by this company, which this company is not be responsible for causing.

#### 3. Repair Period after Production Stop, Spare Parts Supply Period (Holding Period)

Concerning models (products) which have gone out of production, this company will perform repairs for a period of 7 years after production stop, counting from the month and year when the production stop occurs. In addition, we will continue to supply the spare parts required for repairs for a period of 7 years, counting from the month and year when the production stop occurs. However, if it is estimated that the life cycle of certain electronic and other parts is short and it will be difficult to procure or produce those parts, there may be cases where it is difficult to provide repairs or supply spare parts even within this 7-year period. For details, please confirm at our company's business office or our service office.

#### 4. Transfer Rights

In the case of standard products which do not include settings or adjustments in an application program, the products shall be transported to and transferred to the customer and this company shall not be responsible for local adjustments or trial operation.

#### 5. Service Contents

The cost of purchased and delivered products does not include the cost of dispatching engineers or service costs. Depending on the request, these can be discussed separately.

#### 6. Applicable Scope of Service

Above contents shall be assumed to apply to transactions and use of the country where you purchased the products. Consult the local supplier or Fuji for the detail separately.

## Reference Material

### Motion controller MICREX-SX Series SPH

Various CPUs matching your purposes are included in the line of products.

- Module type (Up to 64 axes control)
- PCI bus compatible board type (Up to 32 axes control)
- Selection of program language best for the control (LD, ST or FB language)



Catalog (LEH982)

### Programmable operation display UG Series POD

Various products ranging from 5.7" (QVGA) to 15" (XGA) types are included in the product line.

Full color (32,768 colors) realizes colorful and beautiful screen expression.



Catalog (LEH854)

## SAFETY PRECAUTIONS

1. This catalog is intended for use in selecting required servo systems. Before actually using these products, carefully read their instruction manuals and understand their correct usage.
2. Products described in this catalog are neither designed nor manufactured for combined use with a system or equipment that will affect human lives.  
If you are considering using these products for special purposes, such as atomic energy control, aerospace, medical application, or traffic control, please consult our sales office.
3. If you use our product with equipment that is expected to cause serious injury or damage to your property in case of failure, be sure to take appropriate safety measures for the equipment.

The Inverter Value Engineering Center (Suzuka Area) has acquired environment management system ISO14001 and quality management system ISO9001 certifications.



## Fuji Electric Systems Co., Ltd.

Gate City Ohsaki, East Tower, 11-2, Osaki 1-chome  
Shinagawa-ku, Tokyo 141-0032, Japan  
Phone: +81-3-5435-7283 Fax: +81-3-5435-7425

Printed on recycled paper