

KINCO

Kinco VFD  
FV100/CV100 Series



# Kinco VFD

FV100 Series  
CV100 Series

# Corporate Profile



Kinco Automation is a leading supplier of industrial automation products and solutions from China with full line of automation products including industrial human machine interfaces (HMI), AC servo systems, stepper systems, PLC, VFD and field bus products. Kinco aims to help you achieve a leading position in your market.

### Reliable partner of your success

- Gain the competitive edge
- Support your business
- Serve your needs

### High standard of quality management

- 100% function and reliability test before delivery
- Quality control and tracking go through the full product life cycle
- Certificated process control and quality management capability

### Proven performance

- Customers in over 40 countries and in diverse markets and sectors

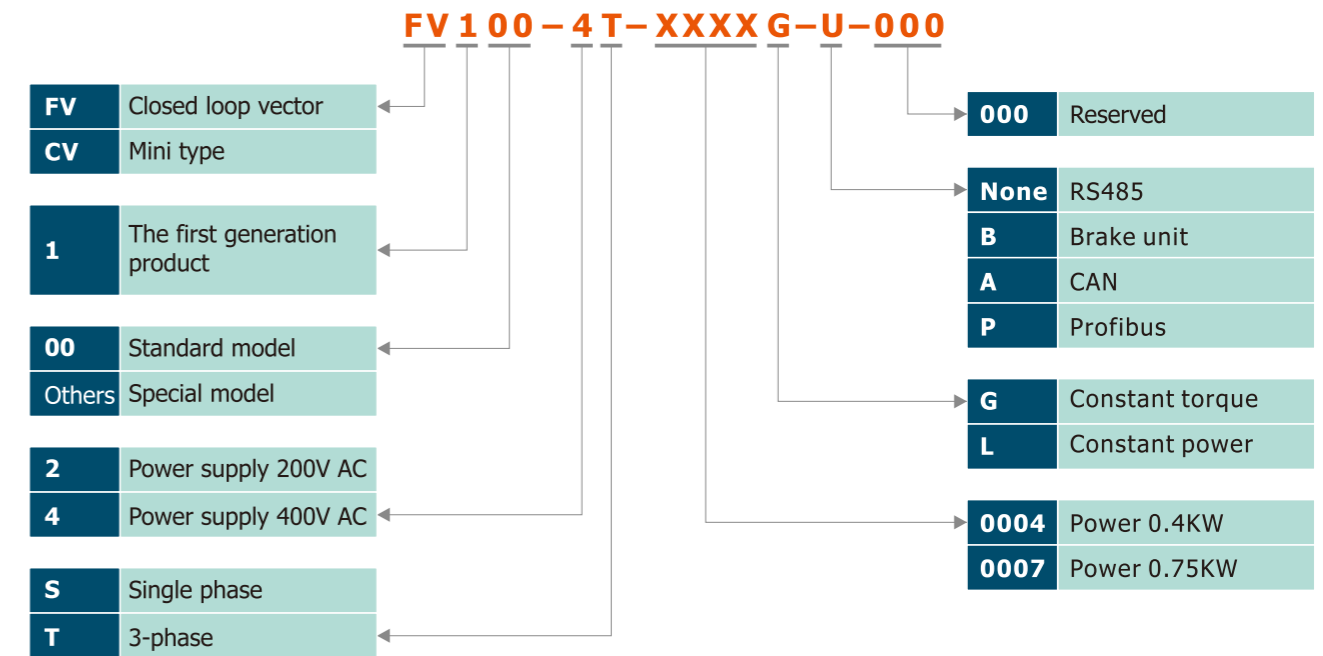


### Perpetual innovation

- 8% of annual turnover invested in R&D
- Experienced international R&D teams
- Patent applications continue to rise every year
- Market-driven R&D: we organize our R&D activities around the voice from the customers

Provide Chinese Automation Solutions for Global Customers

## Selection Guide



## Technical Specification

Item	Description
<b>Input</b>	
Rated Voltage/frequency	3-phase 380V~440V AC. 50Hz/60Hz
Applicable voltage range	Voltage: 320V~460V. Voltage unbalancedness: <3%. Frequency tolerance:±5%.
<b>Output</b>	
Rated voltage	380V
Frequency	0Hz~300Hz
Overload capacity	G Type:150% 1 minute, 180% 10 seconds
<b>Control characteristics</b>	
Control method	Vector control without PG.Vector control with PG, V/F control
Modulation system	Space vector PWM modulation
Starting Torque	0.5Hz: 150% of rated torque(Vector control without PG), 0.5Hz: 200% of rated torque(Vector control with PG)
Frequency accuracy	Digital setting: Max. frequency×±0.01% Analog setting: Max. frequency×±0.2%
Frequency resolution	Digital setting: 0.01Hz. Analog setting: Max. frequency×0.05%
Torque boost	Manual torque boost: 0%~30.0%
V/F pattern	4 patterns:1 pattern is V/F curve setting by users. 3 patterns are drop torque characters curve (2.0 power,1.7 power,1.2 power)
Acceleration/Deceleration curve	Linear acceleration/deceleration. Four kinds of acceleration/deceleration time are optional
DC braking	Braking starting frequency: 0.00~60.00Hz Braking time: 0.0~10.0s Braking current: 0.0~100.0%
Auto current limit	Auto limit the current during operation to prevent frequent overcurrent trip.
<b>Customized function</b>	
Jogging	Jogging frequency range: 0.00Hz~50.00Hz. Jogging acceleration/deceleration time: 0.1~60.0s.
Multiple speed operation	Implement multiple speed operation by digital inputs.
<b>Operation function</b>	
Operation command	Keypad setting, Terminal setting, Communication setting
Frequency command	Keypad setting, Analog input, Pulse input, Communication setting
Auxiliary frequency setting	Implement flexible auxiliary frequency trim and frequency synthesis.
Pulse output	0~100KHz pulse output.
Analog output	2 channels analog output(0/4~20mA or 0/2~10V).
<b>Operation panel</b>	
LED Display	Display setting frequency, output frequency, output voltage, output current and so on, about 20 parameters.
Parameters copy	Copy parameters by operation panel.
Keys lock and function selection	Lock part of keys or all the keys. Define the function of part of keys.
<b>Protection function</b>	
Open phase protection(optional), overcurrent protection, overvoltage protection, undervoltage protection, overheat protection, overload protection and so on.	
<b>Environment</b>	
Operating site	Indoor, installed in the environment free from direct sunlight, dust, corrosive gas, combustible gas, oil mist, steam and drip.
Altitude	Derated above 1000m, the rated output current shall be decreased by 10% for every rise of 1000m
Ambient temperature	-10℃~40℃, derated at 40℃~ 50℃.
Humidity	5%~95%RH, non-condensing.
Vibration	Less than 5.9m/s <sup>2</sup> (0.6g)
Storage temperature	-40℃~70℃
<b>Structure</b>	
Protection class	IP20
Cooling method	Air cooling, with fan control.
Installation method	Wall-mounted
Effeciency	45kW or below: ≥93%; 55kW or above: ≥95%

## General Product Series

### FV100-4T-□□□□G 3-phase 380V AC constant torque VFD

Model	0007	0015	0022	0037	0055	0075	0110	0150	0185	0220	0300	0370	0450		
<b>FV100-4T-□□□□G</b>															
The power of suitable motor(kW)	0.75	1.5	2.2	3.7	5.5	7.5	11	15	18.5	22	30	37	45		
Output	Voltage(V)	3-phase 0-rated input voltage													
	Rated current(A)	2.3	3.7	5.5	8.8	13	17	25	32	37	45	60	75	90	
	Overload capacity	150% 1 Minute, 180% 10 Seconds													
Input	Rated voltage/frequency	3-phase 380V~440V AC; 50Hz/60Hz													
	Allowable voltage range	320V~460V AC; Voltage unbalancedness:≤3%; Allowable frequency fluctuation: ± 5%													
	Rated current(A)	3.4	5.0	5.8	10.5	14.5	20.5	26	35	38.5	46.5	62	76	92	
Brake unit	Built-in									Built-in(optional)			External brake unit		
Protection class	IP20														
Cooling method	Air cooling		Cooling by fan												

Model	0550	0750	0900	1100	1320	1600	1850	2000	2200	2500	2800	3150	3550	4000	
<b>FV100-4T-□□□□G</b>															
The power of suitable motor(kW)	55	75	90	110	132	160	185	200	220	250	280	315	355	400	
Output	Voltage(V)	3-phase 0-rated input voltage													
	Rated current(A)	110	152	176	210	252	304	350	380	426	470	520	600	650	690
	Overload capacity	150% 1 Minute, 180% 10 Seconds													
Input	Rated voltage/frequency	3-phase 380V~440V AC; 50Hz/60Hz													
	Allowable voltage range	320V~460V AC; Voltage unbalancedness:≤3%; Allowable frequency fluctuation: ± 5%													
	Rated current(A)	113	157	180	220	240	320	326*	352*	385*	437*	491*	580*	624*	670*
Brake unit	External brake unit														
Protection class	IP20														
Cooling method	Cooling by fan														

\* 185KW above models standard equip with DC reactor externally.

### FV100-4T-□□□□L 3-phase 380V AC constant power VFD

Model	0015	0022	0037	0055	0075	0110	0150	0185	0220	0300	0370	0450	0550		
<b>FV100-4T-□□□□L</b>															
The power of suitable motor(kW)	1.5	2.2	3.7	5.5	7.5	11	15	18.5	22	30	37	45	55		
Output	Voltage(V)	3-phase 0-rated input voltage													
	Rated current(A)	3.7	5.5	8.8	13	17	25	32	37	45	60	75	90	110	
	Overload capacity	115% 1 Minute, 160% 0.5 Second													
Input	Rated voltage/frequency	3-phase 380V~440V AC; 50Hz/60Hz													
	Allowable voltage range	320V~460V AC; Voltage unbalancedness:≤3%; Allowable frequency fluctuation: ± 5%													
	Rated current(A)	5.0	5.8	10.5	14.5	20.5	26	35	38.5	46.5	62	76	92	113	
Brake unit	Built-in													External brake unit	
Protection class	IP20														
Cooling method	Air cooling		Cooling by fan												

Model	0750	0900	1100	1320	1600	1850	2000	2200	2500	2800	3150	3550	4000	4500	
<b>FV100-4T-□□□□L</b>															
The power of suitable motor(kW)	75	90	110	132	160	185	200	220	250	280	315	355	400	450	
Output	Voltage(V)	3-phase 0-rated input voltage													
	Rated current(A)	152	176	210	252	304	350	380	426	470	520	600	650	690	775
	Overload capacity	115% 1 Minute, 160% 0.5 Second													
Input	Rated voltage/frequency	3-phase 380V~440V AC; 50Hz/60Hz													
	Allowable voltage range	320V~460V AC; Voltage unbalancedness:≤3%; Allowable frequency fluctuation: ± 5%													
	Rated current(A)	157	180	220	240	320	336	352*	385*	437*	491*	580*	624*	670*	755*
Brake unit	External brake unit														
Protection class	IP20														
Cooling method	Cooling by fan														

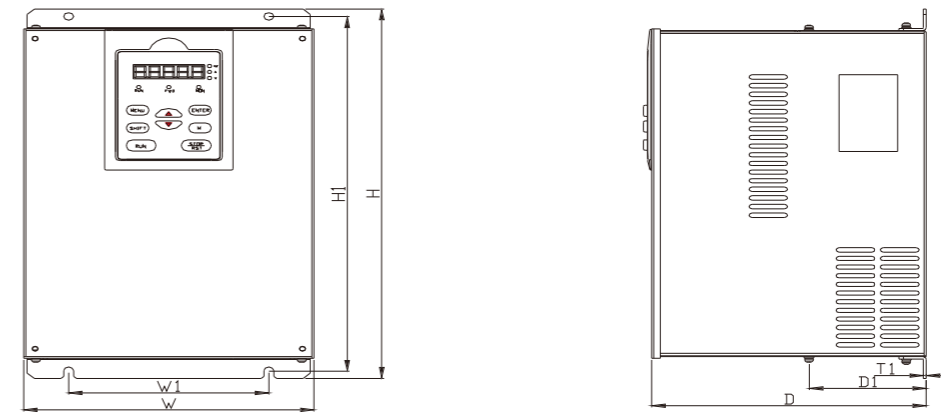
\* 200KW above models standard equip with DC reactor externally.

# General Product Series

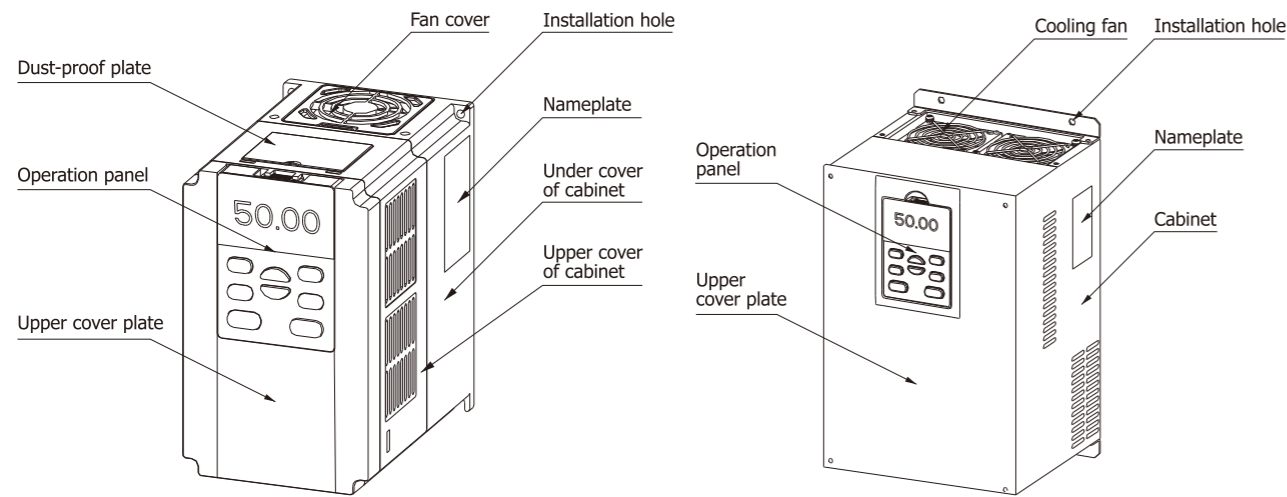
## FV100-2S-□□□□G Single phase 200V AC constant torque VFD

Model	0004	0007	0015	0022
<b>FV100-4T-□□□□G</b>				
The power of suitable motor(kW)	0.4	0.75	1.5	2.2
Output	Voltage(V) 3-phase 0~rated input voltage			
	Rated current(A) 2.5 4.0 7.5 10			
	Overload capacity 150% 1 Minute; 180% 10 Seconds; 200% 0.5 Second; 10 minutes interval (inverse time limit speciality)			
Input	Rated voltage/frequency Single phase 200V~240V AC; 50Hz/60Hz			
	Allowable voltage range 180V~260V AC; Voltage unbalancedness: ≤3%; Allowable frequency fluctuation: ± 5%			
	Rated current(A) 5.3 8.2 14.0 23			
Brake unit	Built-in			
Protection class	IP20			
Cooling method	Air cooling	Cooling by fan		

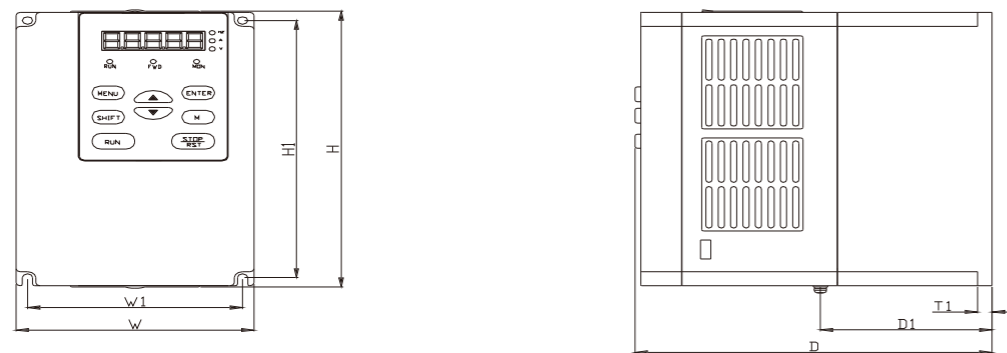
## FV100-4T-0055G ~ □V100-4T-4000G



# External Dimension

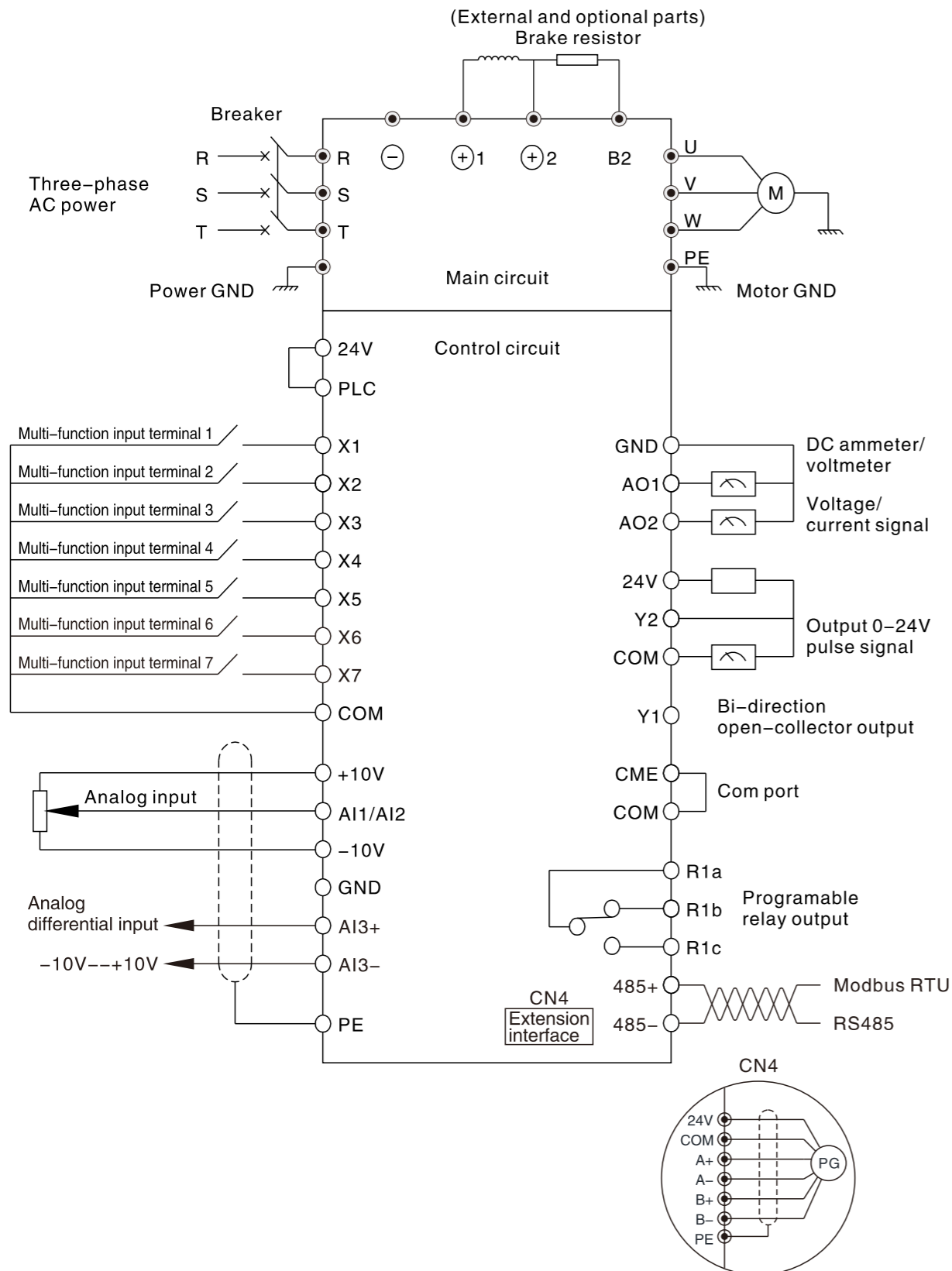


## VFD that power under FV100-4T-0037G



Models of Inverter (G: Constant torque load L: Draught fan and water pump load)	External dimension(mm)								Weight (kg)
	W	H	D	W1	H1	D1	T1	Installation hole "d"	
FV100-2S-0004G									
FV100-2S-0007G									
FV100-2S-0015G									
FV100-2S-0022G									
FV100-4T-0007G									
FV100-4T-0015G									
FV100-4T-0022G									
FV100-4T-0037G									
FV100-4T-0055G									
FV100-4T-0075G									
FV100-4T-0110G									
FV100-4T-0150G									
FV100-4T-0185G									
FV100-4T-0220G									
FV100-4T-0300G									
FV100-4T-0370G									
FV100-4T-0450G									
FV100-4T-0550G									
FV100-4T-0750G									
FV100-4T-0900G									
FV100-4T-1100G									
FV100-4T-1320G									
FV100-4T-1600G									
FV100-4T-1850G									
FV100-4T-2000G									
FV100-4T-2200G									
FV100-4T-2500G									
FV100-4T-2800G									
FV100-4T-3150G									
FV100-4T-3550G									
FV100-4T-4000G									

# Wiring Diagram of Product Terminal



# Terminal Type of Main Loop's Input and Output

## Terminal type

Suitable model: FV100-2S-0004G~FV100-2S-0022G

Machine Bottom L N ⊖ ⊕/B1 B2 U V W PE

Suitable model: FV100-4T-0007G~FV100-4T-0037G

Machine Bottom R S T ⊖ ⊕/B1 B2 U V W PE

Suitable model: FV100-4T-0055G~FV100-4T-0150G

Machine Bottom R S T ⊖ ⊕1 ⊕2/B1 B2 U V W PE

Suitable model: FV100-4T-0185G~FV100-4T-0370G

Machine Bottom B2 R S T ⊖ ⊕1 ⊕2/B1 U V W PE

Suitable model: FV100-4T-0450G~FV100-4T-0750G

Machine Top R S T

Machine Bottom ⊕1 ⊕2 ⊖ U V W PE

Suitable model: FV100-4T-0900G~FV100-4T-1320G

Machine Top R S T ⊖

Machine Bottom ⊕1 ⊕2 U V W ⊖

Suitable model: FV100-4T-1600G~FV100-4T-4000G

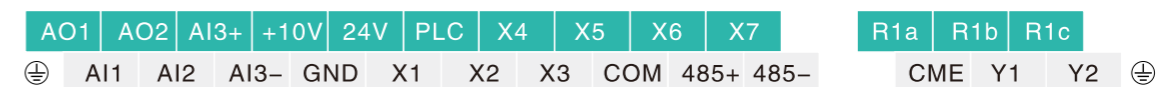
Machine Top R S T ⊖

Machine Bottom ⊕1 ⊕2 ⊖ U V W

## Descriptions of the main loop terminals

Terminal name	Function description
L, N	Single phase 220v AC input terminal
R, S, T	3-phase 380v AC input terminal
⊖	DC negative bus output terminal
⊕1, ⊕2	Reserved terminal for external DC reactor
⊕2, ⊖	Terminal for external brake unit
B1, B2	Access terminal of brake resistor
U, V, W	3-phase AC output terminal
PE	Earth terminal

## Control loop terminals arrange as followings:



Arrangement diagram of control terminals.

## CNA Function Table of Connector Terminal

Category	Terminal silk screen	Name	Description of terminal function	Specification
Shield	⊕	Earth shield	GND for the shield layer of terminal. Shield layer of the analog signal cable , 485 communication cable , motor power cable can be connected here	Connect the PE terminal of internal main circuit
Power supply	+10	Power	Provide +10V reference power	Provide 5mA current at most
	GND	Power GND	GND for analog signal and +10 power supply	Internal isolation from COM and CME
Analog input	AI1	Analog single-ended input AI1	Receive the analog voltage or current single-ended input, they are selected by jumper AI1 (Reference ground:GND)	Input voltage range: -10V~+10V (Input resistor: 45kΩ) Resolution: 1/4000
	AI2	Analog single-ended input AI2	Receive the analog voltage or current single-ended input, they are selected by jumper AI2 (Reference ground:GND)	Input current range: 0mA~20mA, Resolution: 1/2047Jumper to select)
	AI3+	Analog voltage differential input AI3+ or analog voltage single-ended input.	When connected to the analog voltage differential input,AI3+ is the same-phase input and AI3- is the inverted input; when connected to the analog voltage single-ended input, AI3+ is signal input, AI3- is GND (Reference ground: GND)	Input voltage range: -10V~+10V (Input resistor: 15kΩ) Resolution: 1/4000
	AI3-	Analog voltage differential input AI3- or analog voltage single-ended input.		
Analog output	AO1	Analog output 1	Providing analog voltage or current output, they are selected by the jumper AO1 (The default setting is output voltage)	Voltage output range: 0V~10V Current output range: 0/4~20mA
	AO2	Analog output 2	Providing analog voltage or current output, they are selected by the jumper AO2 (The default setting is output voltage)	Voltage output range: 0V~10V Current output range: 0/4~20mA
Communication	RS485+ RS485-	RS485 communication connector	RS485 difference signal positive RS485 difference signal negative	Standard RS485 communication connector (Use twisted-pair or shield cable please)
Multi-function input terminal	X1 ~ X6	Multi-function input terminal 1	Can be defined as multi-function digital input terminal	Optocoupler isolation input Input resistor: R=3.3kΩ Maximum input frequency of X1~X6: 200Hz Maximum input frequency of X7: 100kHz Input voltage range: 2~30v
	X7	Multi-function input terminal or pulse input		
Multi-function output terminal	Y1	Bi-direction open-collector output	Can be defined as multi-function digital output terminal (Com port: CME)	Optocoupler isolation output Maximum working voltage: 30v Maximum output current: 50mA
	Y2	Open collector pulse output terminal	Can be defined as multi-function pulse signal output terminal (Com port: COM)	Maximum output frequency: 100kHz
Power supply	24V	+24v power supply	Providing +24V power	Maximum output current: 200mA
Common port	PLC	Multi-function input common port	Common port of Multi-function input (Short cut with 24V in default)	Common port of X1~X7, PLC is isolated from 24V internally
	COM	Common port of 24V power supply	Three common ports in all, cooperate with other terminals	COM is isolated from CME and GND internally
	CME	Y1 output common port	Common port of multi-function output terminal Y1	
Relay output terminal 1	R1a	Relay output	Can be defined as multi-function relay output terminal	R1a-R1b: Normally closed, R1a-R1c: normally open Contact capacity : AC250V/2A ( COSΦ = 1 ) AC250V/1A ( COSΦ = 0.4 ) DC30V/1A Input voltage of relay output terminal 's overvoltage class is overvoltage class II
	R1b			
	R1c			

Accessory	Model	Function
PG card	PG-LZA-12	A/B/Z Open collector input(12V),with CANopen communication port.

## CV100 Mini Type Vector Inverter



### Product Characteristics

- Control Mode: V/F control
- Carrier frequency up to 15KHz
- Auto torque boost and auto slip compensation function
- Built-in PID control
- Standard equipped Modbus(RS485 baud rate up to 38400bps)
- Sleep/wake up function

## Technical Specification

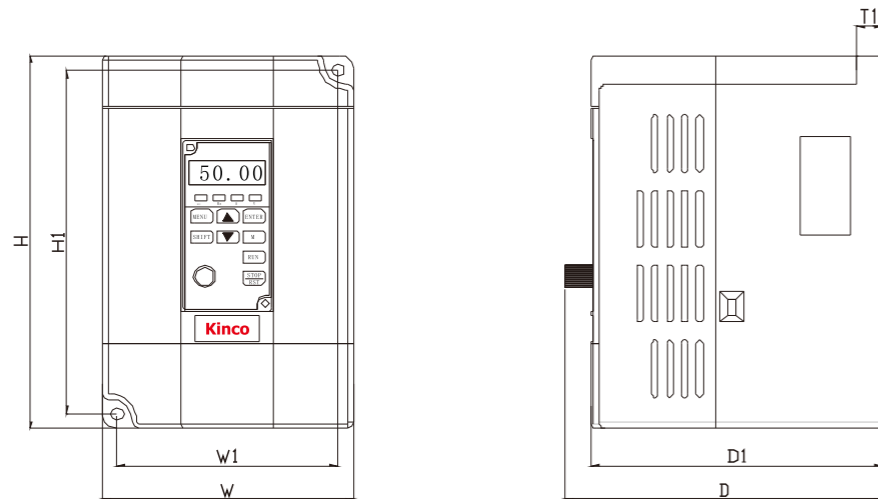
Items	Description	
Input	Rated Voltage/frequency	4T: 3-phase, 380V~440V; 50Hz/60Hz; 2S: Single phase, 200V~240V; 50Hz/60Hz
	Allowable voltage range	4T: 320V~460V; 2S:180V~260V; Voltage unbalancedness:<3%; Frequency: ± 5%
Output	Voltage	0~ Rated input voltage
	Frequency	0Hz~300Hz (0Hz~1000Hz custom)
	Overload capacity	G Type: 150% rated current for 1 minute, 180% rated current for 10 seconds.
Main control characteristics	Control method	V/F control
	Starting torque	Auto torque rising
	Frequency accuracy	Digital setting: Max. frequency × ±0.01%; Analog setting: Max. frequency × ±0.2%
	Frequency resolution	Digital setting: 0.01Hz; Analog setting: Max. frequency × 0.05%
	Torque boost	Manual torque boost: 0%~30.0%
	V/F pattern	4 patterns: 1 V/F curve mode set by user and 3 kinds of torque-derating modes (2.0 power, 1.7 power, 1.2 power)
	Acceleration/Deceleration curve	Linear acceleration/deceleration. Four kinds of acceleration/deceleration time
Customized function	Auto current limit	Limit current during operation automatically to prevent frequent overcurrent trip.
	Operation command	Keypad setting, terminal setting, communication setting
	Frequency command	Digital setting, analog voltage setting, analog current setting.
Protection function	Auxiliary frequency setting	Implement flexible auxiliary frequency trim and frequency synthesis
	Analog output	2 channel analog output (0/4~20mA or 0/2~10V).
	Overcurrent protection, overvoltage protection, undervoltage protection, overheat protection, overload protection, missing phase protection (selectable) and so on.	
Environment	Altitude	Derated above 1000m, the rated output current shall be decreased by 10% for every rise of 1000m.
	Ambient temperature	-10℃~ + 40℃ (derated at 40℃~50℃)
	Humidity	5%~95%RH, non-condensing
	Vibration	Less than 5.9m/s <sup>2</sup> (0.6g)
Storage temperature	-40℃~ + 70℃	

# CV100 Series Specification

Model	CV100-2S-□□□□G					CV100-4T-□□□□G		
	0002	0004	0007	0015	0022	0007	0015	0022
The power of suitable motor(KW)	0.2	0.4	0.75	1.5	2.2	0.75	1.5	2.2
Output	3-phase, 0~ Rated input voltage							
	Rate current(A)							
	Overload capacity							
Input	Single phase, 200V~240V; 50Hz/60Hz					3-phase, 380V~440V; 50Hz/60Hz		
	Allowable voltage range							
	Rated current(A)							
Brake unit	Built-in							
Protection class	IP20							
Cooling method	Cooling by fan							

# External Dimension

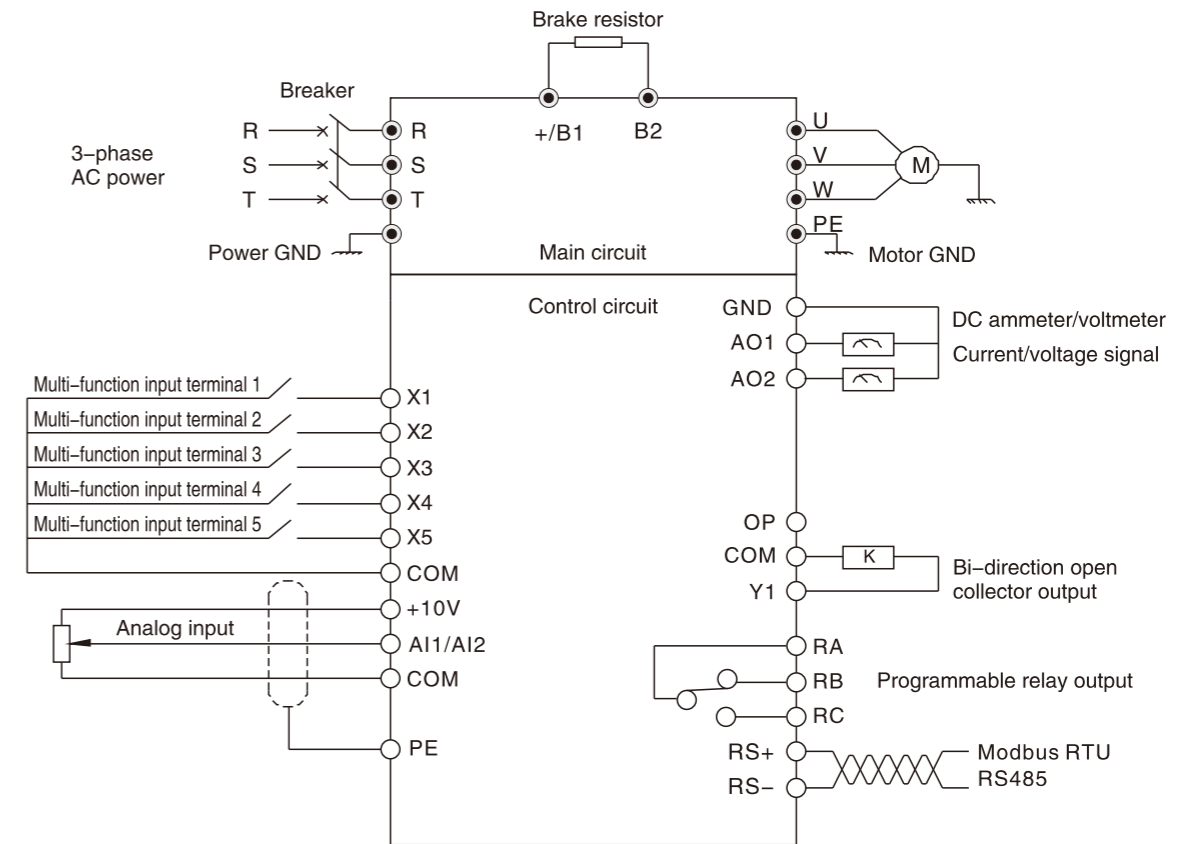
CV100-2S-0002G ~ CV100-4T-0022G



Models of Inverter (G: Constant torque load L: Draught fan and water pump load)	External dimension(mm)								Weight (kg)
	W	H	D	W1	H1	D1	T1	Installation hole "d"	
CV100-2S-0002G	85	142	127	73	130	117	10	5	0.8
CV100-2S-0004G									
CV100-2S-0007G									
CV100-2S-0015									
CV100-2S-0022									
CV100-4T-0007G	101	152	127	89	140	117	10	5	1
CV100-4T-0015G									
CV100-4T-0022G									

# Wiring Diagram of Product Terminal

Applicable models: CV100-2S-0002G ~ CV100-4T-0022G



# Terminal Type of Main Loop's Input and Output

Terminal Type	Single-phase input(Top)	L	N	PE	PE	RS+	RS-
3-phase input(Top)	R	S	T	PE	PE	RS+	RS-
Bottom	U	V	W	+/B1	B2		

# Descriptions of the main loop terminals

Terminal name	Function description
L, N	Single phase 220V AC input terminal
R, S, T	3-phase 380V AC input terminal
+/B1, B2	Access terminal of brake resistor
U, V, W	3-phase AC output terminal
PE	Earth terminal
RS+	RS485+
RS-	RS485-

# Control loop terminals arrangement

RA	RB	RC	AI1	AI2	+10V	X1	X2	X3	X4	X5	Y1	AO1	AO2	OP	COM	PE
----	----	----	-----	-----	------	----	----	----	----	----	----	-----	-----	----	-----	----

## CNA Function Table of Connector Terminal

Category	Terminal silk screen	Name	Description of terminal function	Specification
Shield	PE	Earth shield	GND for the shield layer of terminal. Shield layer of the analog signal cable , 485 communication cable , motor power cable can be connected here	Connect the PE terminal of internal main circuit
Power supply	+10	+10V Power	Provide +10V reference power	Provide 5mA current at most
Communication	RS+	RS485 communication connector	RS485 difference signal positive	Standard RS485 communication connector (Use twisted-pair or shield cable please)
	RS-		RS485 difference signal negative	
Analog input	AI1	Analog single-ended input AI1	Receive the analog voltage or current single-ended input, they are selected by jumper AI1 (Reference ground:COM)	Input voltage range: -10V~+10V (Input resistor: 45kΩ) Resolution: 1/4000 Input current range: 0mA~20mA, Resolution: 1/2000(Jumper to select)
	AI2	Analog single-ended input AI2	Receive the analog voltage or current single-ended input, they are selected by jumper AI2 (Reference ground:COM)	
Analog output	AO1	Analog output 1	Providing analog voltage or current output, they are selected by the jumper AO1. The default setting is output voltage, see to description of function code A6.28. (Reference ground: COM)	Voltage output range: 0V~10V Current output range: 0/4~20mA
	AO2	Analog output 2	Providing analog voltage or current output, they are selected by the jumper AO2. The default setting is output voltage, refer to the function code A6.29 (Reference ground: GND)	
Multi-function input terminal	X1~ X5	Multi-function input terminal	Can be defined as multi-function digital input terminal. Please see to description of function code A6.00~A6.04 (A6 group).	Optocoupler isolation input Input resistor: R=3.3kΩ Input voltage range of X1~X5: 2~30V
Multi-function output terminal	Y1	Bi-direction open collector output	Can be defined as multi-function digital output terminal. . Please see to description of function code A6.14 (A6 group) (Com port: COM)	Optocoupler isolation output Maximum working voltage: 30V Maximum output current: 50mA
Power supply	24V	+24v power supply	Providing +24V power	Maximum output current: 200mA
Common port	COM	Common port of 24V power supply	Cooperate with other terminals	

## Kinco Inverter Brake Resistor Selection

### 1. 380V Inverter brake resistor selection

Inverter power (Three phase G type)	Brake unit	Brake resistor				
		Standard resistance	Qty.	Liminal resistance of brake resistor	Standard power	
0.75KW	Standard built-in	750Ω	1	125Ω	110W	
1.5KW		400Ω	1	100Ω	260W	
2.2KW		250Ω	1	100Ω	320W	
3.7KW		150Ω	1	66.7Ω	550W	
5.5KW		100Ω	1	66.7Ω	800W	
7.5KW		75Ω	1	66.7Ω	1070W	
11KW		50Ω	1	25Ω	1600W	
15KW		40Ω	1	25Ω	2000W	
18.5KW		Built-in selectable	32Ω	1	20Ω	4800W
22KW			27.2Ω	1	20Ω	4800W
30KW	20Ω		1	14Ω	6000W	
37KW	16Ω		1	14Ω	9600W	
45KW	External brake unit selectable		13.6Ω	1	10Ω	9600W
55KW			20Ω	2	7Ω	6000W*2
75KW			13.6Ω	2	5Ω	( resistance after parallel connection ) 9600W*2
90KW			13.6Ω	2	5Ω	9600W*2
110KW			5Ω	4	3.5Ω	( resistance after serial-parallel connection ) 6000 W*4
132KW			5Ω	4	3.5Ω	6000W*4
160KW	3Ω	6	2.5Ω	6000 W*6		

### 2. 220V Inverter brake resistor selection

Inverter power (Three phase G type)	Brake unit	Brake resistor			
		Standard resistance	Qty.	Liminal resistance of brake resistor	Standard power
0.4KW	Standard built-in	200Ω	1	100Ω	100W
0.75KW		150Ω	1	100Ω	150W
1.5KW		150Ω	1	100Ω	150W
2.2KW		50Ω	1	35Ω	400W

#### Notes:

- The resistance of brake resistor should be bigger than the liminal value. The selection is calculated basing on braking time 10S. For applications in industries such as crane and oil field, long braking time is required, the resistance should be magnified for serval times according to actual situations.
- Avoid using ripple resistors: 1) Ripple resistor possesses negative temperature characteristic. After working for some time , the resistance of ripple resistor decreases with temperature rising. The brake unit will be easy to explore if resistance is too small; 2) The parasitic inductance of ripple resistor is large, which may cause brake unit broken easily; Aluminum Power Resistors are recommended. Please select larger resistance for ripple resistors.
- If brake resistor power is smaller than the listed standard power, the brake resistor will burn up easily. The larger the brake resistor power is, the less the possiblity there is brake resistor burn-out.
- In sheet 1: for 55KW/75KW/90KW inverters, there are two brake resistors in parallel, the equivalent resistance is 12000W 10Ω, 19200W 6.8Ω respectively; For 110KW/132KW inverters, there are 4 brake resistors paired up in parallel, then connected in series, the equivalent resistance is 24000W 5Ω; For 160KW inverter, there are 6 brake resistors paired up in parallel, then connected in series, the equivalent resistance is 36000W 4.5Ω.