

GRAPHIC OPERATION TERMINAL / SCADA

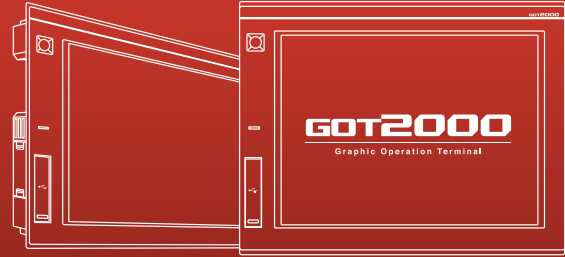
Graphic Operation Terminal

SCADA MC Works64

Graphic Operation Terminal

Craftsmanship mindset goes global

Full lineup to incorporate manufacturing needs.
Connections with FA equipment and advanced operability will reduce design man-hours and bring greater efficiency.



Graphic Operation Terminal

GOT2000 Series



GOT2000 with advanced high-functionality delivers the next-level basic performance.

Features P.570
Specifications P.582

GOT2000 Series Open frame model



The GOT2000 open frame model can be integrated into equipment.

Features P.572
Specifications P.584

GOT1000 Series



Full lineup to provide various site needs.

Specifications P.597

GOT SIMPLE



Simple, high functioning, and user friendly model for a reliable system.

Features P.608
Specifications P.615

SCADA

High-grade Integrated Monitoring System Achieved by Linking SCADA with FA Equipment.

The Mitsubishi SCADA software MC Works64 provides a highly functional monitoring control system that works with a wide range of FA equipment, thus helping to achieve solutions for ensuring visualization, analysis and continuous improvement.

HMI Software



GT SoftGOT2000 is an HMI software that allows GOT2000 functions to operate on a personal computer or panel computer.

Features
P.578

GOT Screen Design Software



Its intuitive operability allows GOT design at-will, with improved drawing efficiency and effective use of on-screen assets.

Features
P.616

SCADA

Mitsubishi SCADA software



e-F@ctory's SCADA software
Create an advanced, integrated monitoring system for FA equipment.

Features
P.632

GOT2000 Lineup

The GOT2000 inherits all the features of our popular GOT1000 series, and introduces a more refined and advanced function set. The powerful and flexible lineup includes GOTs with various features and communication options to tackle any application you may encounter.

Concept movie



Lineup



GT27 model

Advanced model with multi-touch gesture functions

Ethernet

CC-Link

15 inch **XGA**

RS-232

Bus

RS-422/485

MELSECNET

CC-Link IE Controller

CC-Link IE Field*

* The CC-Link IE Field Network communication unit and GOT set is also available.



GT2715-XTBA
GT2715-XTBD

Resolution: 1024 x 768
Display color: 65536 colors

12.1 inch **SVGA**

GT2712-STBA
GT2712-STBD
GT2712-STWA (White model)
GT2712-STWD (White model)

Resolution: 800 x 600
Display color: 65536 colors

GT25 model

High performance, cost efficient, mid-range model

Ethernet

CC-Link

12.1 inch **SVGA**

RS-232

Bus

RS-422/485

MELSECNET

CC-Link IE Controller

CC-Link IE Field*

* The CC-Link IE Field Network communication unit and GOT set is also available.



GT2512-STBA
GT2512-STBD

Resolution: 800 x 600
Display color: 65536 colors

NEW



GT2512F-STNA [Open frame model]
GT2512F-STND [Open frame model]

Resolution: 800 x 600
Display color: 65536 colors

GT23 model

Unchallenged cost performance

Ethernet

10.4 inch **VGA**

RS-232

RS-422/485



GT2310-VTBA
GT2310-VTBD

Resolution: 640 x 480
Display color: 65536 colors

8.4 inch **VGA**

GT2308-VTBA
GT2308-VTBD

Resolution: 640 x 480
Display color: 65536 colors



Compliant with safety standards including UL Standards, maritime certifications, and radio laws.
For inquiries relating to the status of GOTs conforming to various standards and laws (CE, ATEX [to be obtained soon], UL/cUL, Class I Division 2, EAC, KC, KCs [to be obtained soon], and maritime certifications [ABS/BV/DNV GL/LR/NK/RINA]), please refer to the specification list (page 582).
For the information about the other products and the latest conformity status, please contact your local sales office.

The release date varies depending on the product and your region. For details, please contact your local sales office.

Multi-touch gesture Multimedia* Video/RGB* Sound output External I/O
* Not supported by 5.7 inch model.

10.4 inch SVGA VGA



GT2710-STBA
GT2710-STBD
Resolution: 800 × 600
Display color: 65536 colors

GT2710-VTBA
GT2710-VTBD
GT2710-VTWA [White model]
GT2710-VTWD [White model]
Resolution: 640 × 480
Display color: 65536 colors

8.4 inch SVGA VGA



GT2708-STBA
GT2708-STBD
Resolution: 800 × 600
Display color: 65536 colors

GT2708-VTBA
GT2708-VTBD
Resolution: 640 × 480
Display color: 65536 colors

5.7 inch VGA



GT2705-VTBD
Resolution: 640 × 480
Display color: 65536 colors

Sound output External I/O

10.4 inch VGA



GT2510-VTBA
GT2510-VTBD
GT2510-VTWA [White model]
GT2510-VTWD [White model]
Resolution: 640 × 480
Display color: 65536 colors

NEW



GT2510F-VTNA [Open frame model]
GT2510F-VTND [Open frame model]
Resolution: 640 × 480
Display color: 65536 colors

8.4 inch VGA



GT2508-VTBA
GT2508-VTBD
GT2508-VTWA [White model]
GT2508-VTWD [White model]
Resolution: 640 × 480
Display color: 65536 colors

NEW



GT2508F-VTNA [Open frame model]
GT2508F-VTND [Open frame model]
Resolution: 640 × 480
Display color: 65536 colors

GT21 model Compact models with basic functions

Ethernet

RS-232

RS-422/485

4.3 inch Wide



GT2104-RTBD
[Ethernet, RS-232, RS-422/485]
Resolution: 480 × 272
Display color: 65536 colors

3.8 inch



GT2103-PMBD [Ethernet, RS-422/485]
GT2103-PMBDS [RS-232, RS-422/485]
GT2103-PMBDS2 [RS-232 × 2 channels]
GT2103-PMBLS [RS-422] 5 V DC type
Resolution: 320 × 128
Display color: Monochrome (black/white)
32 shade grayscale
Backlight: 5-color LED
(white, green, pink, orange, red)

SoftGOT

GOT2000 compatible HMI software
GT SoftGOT 2000 Version 1

GT SoftGOT2000 is an HMI software that allows GOT2000 functions to operate on a personal computer or panel computer. Various industrial devices can be connected and monitored.
Resolution: 640 to 1920 × 480 to 1200
Display color: 65536 colors

* A separate license key must be mounted during use.



USB port license key

GOT2000 Standard Model

The GOT2000 series continues to impress with solutions that fulfill all demands



GT27 model



Advanced model with multi-touch gesture functions

Communication interfaces such as Ethernet, RS-232, RS-422/485, USB host/device and SD memory card are standard features. High capacity data processing ensure smooth screen operation even when multiple tasks, such as logging, script, alarm, or device data transfer, are running.

In addition, image recording, image playback, video image input, and RGB output are available, thus all the functions of GOT2000 can be used on GT27 models. * Excluding GT2705

Item	Specifications
Display	5.7", 8.4", 10.4", 12.1", and 15" size, 65536 colors TFT LCD display
Resolution	XGA, SVGA, VGA
Backlight	White LED
User memory	Memory for storage (ROM): 57 MB (GT2705 has 32 MB) Memory for operation (RAM): 128 MB (GT2705 has 80 MB)
Standard interface	Ethernet, RS-232, RS-422/485 USB host (USB-A) 2 channels* (High-Speed 480 Mbps) USB device (USB Mini-B) 1 channel (High-Speed 480 Mbps) * White model has 1 channel
Extension interface	CC-Link IE Controller, CC-Link IE Field, CC-Link, bus, MELSECNET/H

GT25 model



High performance, cost efficient, mid-range model

Communication interfaces such as Ethernet, RS-232, RS-422/485, USB host/device and SD memory card are standard features. High capacity data processing ensure smooth screen operation even when multiple tasks, such as logging, script, alarm, or device data transfer, are running.

Item	Specifications
Display	8.4", 10.4", and 12.1" size, 65536 colors TFT LCD display
Resolution	SVGA, VGA
Backlight	White LED
User memory	Memory for storage (ROM): 32 MB Memory for operation (RAM): 80 MB
Standard interface	Ethernet, RS-232, RS-422/485 USB host (USB-A) 2 channels* (High-Speed 480 Mbps) USB device (USB Mini-B) 1 channel (High-Speed 480 Mbps) * White model has 1 channel
Extension interface	CC-Link IE Controller, CC-Link IE Field, CC-Link, bus, MELSECNET/H

Line-up

Features

Function list

Specifications/
External
dimensions

Product list

GOT2000
Series

GOT1000
Series

GOT SIMPLE
Series

MELSOFT
GT Works3

GOT2000/1000/
GOT SIMPLE
Series Product list

MC Works64

■ GT23 model



Unchallenged cost performance

Communication interfaces such as Ethernet, RS-232, RS-422/485, USB host/device and SD memory card are standard features. Advanced interactive features such as data logging, multi-channel communication, and FA transparent function are supported.

Item	Specifications
Display	8.4" and 10.4" size, 65536 colors TFT LCD display
Resolution	VGA
Backlight	White LED
User memory	Memory for storage (ROM): 9 MB Memory for operation (RAM): 9 MB
Standard interface	Ethernet, RS-232, RS-422/485 USB host (USB-A) 1 channel (Full-Speed 12 Mbps) USB device (USB Mini-B) 1 channel (Full-Speed 12 Mbps)

■ GT21 model

GT2104-R



Compact model with exciting possibilities

New widescreen type compact model!
65536 colors, TFT LCD display, 4.3-inch wide model is released. High resolution, 480 × 272 dot display realized in a compact body!

Item	Specifications
Display	4.3" Wide, 65536 colors TFT LCD display
Resolution	480 × 272 dots
Backlight	White LED
User memory	Memory for storage (ROM): 9 MB
Standard interface	Ethernet, RS-232, RS-422/485 USB device (USB Mini-B) 1 channel (Full-Speed 12 Mbps)

GT2103-P



Small screen, big possibilities

The intuitively understandable 5-color backlight offers choices of backlight color and backlight blink according to machine operation state. The backlight can also be controlled from the connected PLC (screen color change and backlight ON/OFF/blink).

Item	Specifications
Display	3.8" size, monochrome (black/white), 32 shade grayscale TFT LCD display
Resolution	320 × 128 dots
Backlight	5-color LED (white, green, pink, orange, red)
User memory	Memory for storage (ROM): 3 MB
Standard interface	GT2103-PMBD: Ethernet, RS-422/485 GT2103-PMBDS: RS-232, RS-422/485 GT2103-PMBDS2: RS-232 × 2 channels GT2103-PMBLS: RS-422 (dedicated to FX connection, 5 V DC power supply type) All models: USB device (USB Mini-B) 1 channel (Full-Speed 12 Mbps)

Line-up

Features

Function list

Specifications/
External
dimensions

Product list

GOT2000
Series

GOT1000
Series

GOT SIMPLÉ
Series

ME/SOFT
GT Works3

GOT2000/1000/
GOT SIMPLÉ
Series Product list

MC Works64

GOT2000 Open Frame Model



■GT25 (Open frame model)

A new style of GOT2000

Installing the GOT2000 from the back side of the control panel complements the machine-design surface.

Item	Specifications
Display	8.4", 10.4", and 12.1" size, 65536 colors TFT LCD display
Resolution	SVGA, VGA
Backlight	White LED
User memory	Memory for storage (ROM): 32 MB Memory for operation (RAM): 80 MB
Standard interface	Ethernet, RS-232, RS-422/485 USB host (USB-A) 1 channel (High-Speed 480 Mbps) USB device (USB Mini-B) 1 channel (High-Speed 480 Mbps)
Extension interface	CC-Link IE Controller, CC-Link IE Field, CC-Link, bus, MELSECNET/H

Line-up

Features

Function list

Specifications/
External
dimensions

Product list

GOT2000
Series

GOT1000
Series

GOT SIMPLE
Series

MELSOFT
GT Works3

GOT2000/1000/
GOT SIMPLE
Series Product list

MC Works64

GOT complements machine design

Using a stainless-look environmental protection sheet allows the touch panel to blend into the production machines for the pharmaceutical and food industries.



Environmental protection sheet



Adjustable to various panels

The installation fitting is adjustable from 1.5 mm to 4 mm of the control panel thickness. GOT can adjust the difference of the control panel thickness. Vertical installation is also available.

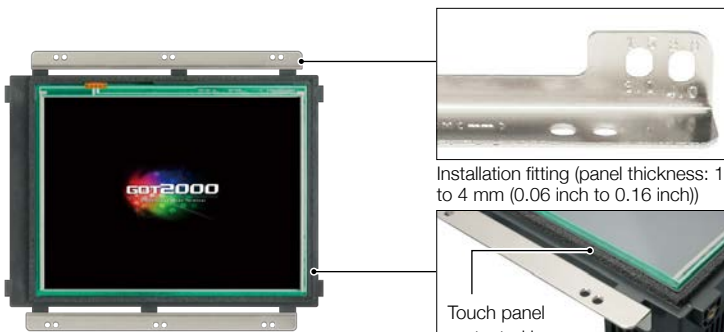
Designed for safe installation

The edge of the touch panel is protected to prevent damage to the touch panel or injury by touching the sharp edge. It is possible to safely install the GOT.

Dedicated installation fittings

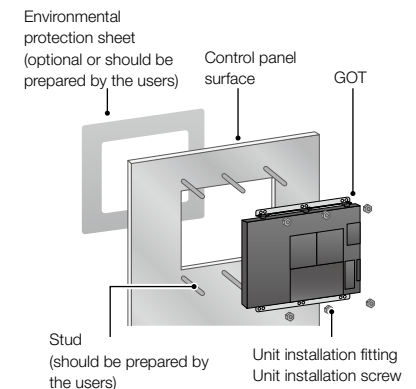
Installation fittings (vertical/horizontal) and screws are included with GOT. Attach appropriate installation fittings depending on the installation orientation.

* Studs should be prepared by the users. (Not included)



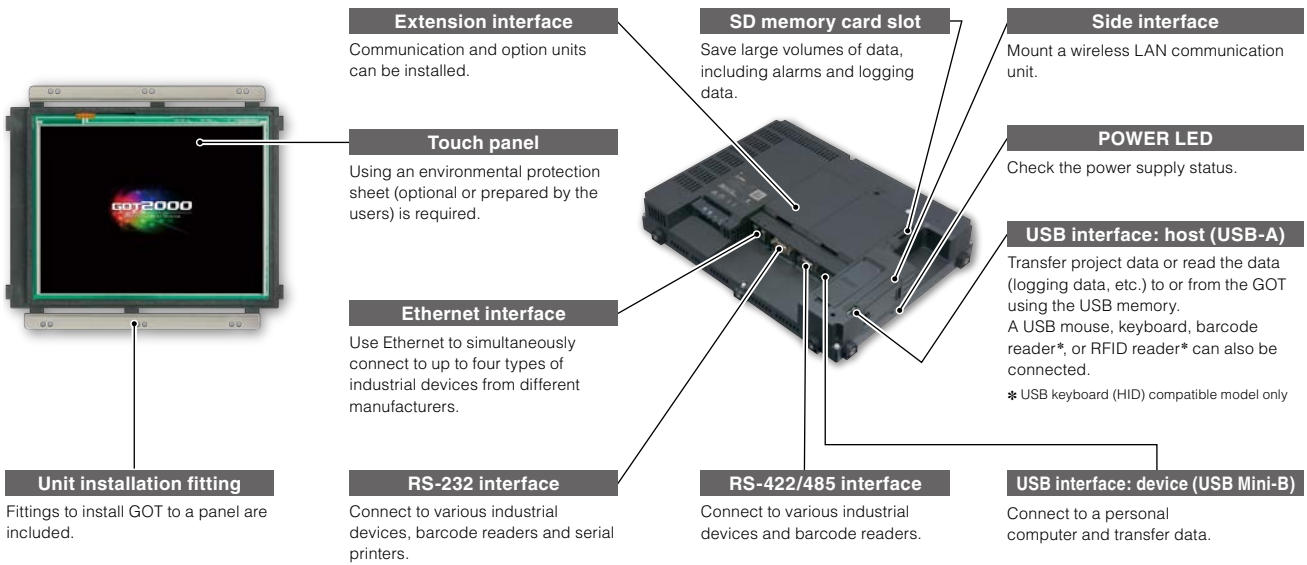
Designed for safe installation

Installation instructions





Appearance / Names of Each Part



IP67F protection

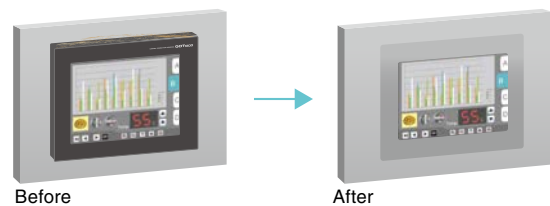
To conform to IP67F, attach an environmental protection sheet.*
GOT can be operated with wet hands, wiped with a damp cloth, and washed with water.

* Note that the structure does not guarantee protection in all users' environments.
The GOT may not be used in certain environments where it is subjected to splashing oil or chemicals for a long period of time or soaked in oil mist.



Suitable for pharmaceutical and food industries

Flush surface without any gaps and grooves prevents dust, dirt, and debris from accumulated on the edge.



Line-up

Features

Function list

Specifications/
External
dimensions

Product list

GOT2000
Series

GOT1000
Series

GOT SIMPLE
Series

ME/SOFT
GT Works3

GOT2000/1000/
GOT SIMPLE
Series Product list

MC Works64

GOT Smart Web-based Remote Solutions

Monitor your worksite anytime, anywhere



GOT offers various remote monitoring and operation functions that can be used for various applications depending on your needs. The GOT remote solutions increase efficiency in various applications from startup, adjustment, to maintenance using mobile devices and personal computers. The GOT2000 improves visualization accessibility and reduces total cost of ownership.

Comparison of remote maintenance functions

Item	Monitor or operate GOT or connected devices from a personal computer or tablet			Monitor a personal computer from GOT
	GOT Mobile function	VNC server function	SoftGOT-GOT link function	Remote personal computer operation function (Ethernet)
Number of simultaneous connections from clients	○ Maximum 5	× Simultaneous connection prohibited (1 to 1 only)	○ Maximum 7 *1	—
Monitor a different screen on each client	○	× Always monitor the same screen as on GOT	△ *2	—
Drawing performance	○	△	○	—
Viewing application	Web browser (Google Chrome, Safari)	VNC viewer (freeware *3)	GT SoftGOT2000 (license key required separately)	—
Required options	License	License	License key	License
Authorization exclusive control	○	○	○	—
Screen display	Supported objects (touch switch, etc.)	△ Some functions are different from GOT	○ Same as GOT	—
	Monitoring functions (sequence program monitor, etc.)	× Not supported	○ Same as GOT	—

- *1 When using the GOT network interaction function, multiple clients can be connected simultaneously. Note that restrictions exist depending on the connection type between GOT and the connected device.
- *2 When a GOT internal device is used as the screen switching device, each client can display a different screen.
- *3 For the VNC client software that can be used, please refer to the Technical Bulletin GOT-A-0069.

NEW

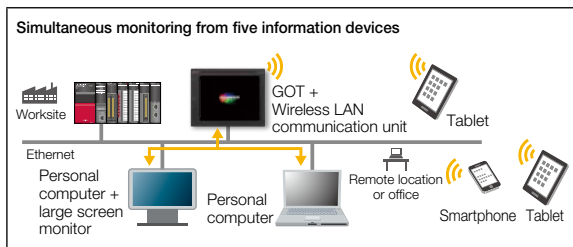
GOT Mobile function



GT27 GT25 GT23 GT21

Check the equipment status using a web browser on tablets from a remote location. Up to five information devices can simultaneously access a single GOT so that you can view and operate a different screen on each device.

- * A separate license (GT25-WEBSKEY) is required.
- * Up to five clients can connect to one GOT at the same time.



Check the status of the worksite using a web browser.

Outside of the clean room

From a remote location

From your office

Other usage

On a large screen

Up to five operators

Monitor production with one PC

*** Specification details and major restrictions**

For the supported connection types and necessary option devices, please refer to the Mitsubishi Graphic Operation Terminal GOT2000 Series Catalog (L(NA)08270ENG) or appropriate manuals.

*** Safety precautions**

If any of the remote maintenance functions are used to perform remote control of control equipment, the field operator may not notice the remote control, possibly leading to an accident. In addition, a communication delay or interruption may occur depending on the network environment, and remote control of control equipment cannot be performed normally in some cases. Before using the functions to perform remote control, fully grasp the circumstances of the field site and ensure safety.

Line-up

Features

Function list

Specifications/
External
dimensions

Product list

GOT2000
Series

GOT1000
Series

GOT SIMPLE
Series

MELSOFT
GT Works3

GOT2000/1000/
GOT SIMPLE
Series Product list

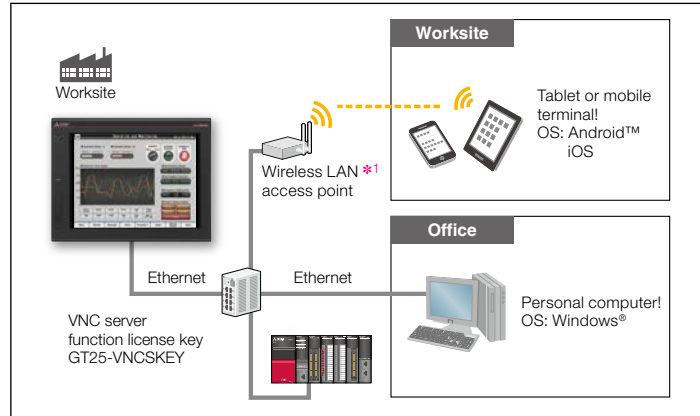
MC Works64

VNC server function

Remotely view and operate the GOT screen from information devices such as a personal computer and tablet. No dedicated screens are required.

- * A separate license (GT25-VNCSKEY) is required.
- * One client can connect to one GOT at the same time.

☑GT27 ☑GT25 □GT23 □GT21



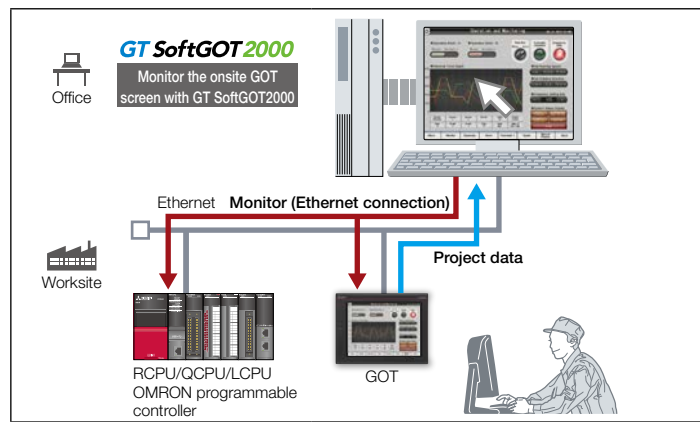
*1 No access point is required separately when installing the wireless LAN communication unit on the GOT. (Access point mode is supported by GT Works3 Ver.1.144A or later)

SoftGOT-GOT link function

Read project data from the GOT connected to GT SoftGOT2000 via Ethernet, and you can monitor the devices that are connected to the GOT on different screens from the one shown on the GOT.

- * A separate license key (GT27-SGTKEY-U) is required.

☑GT27 ☑GT25 □GT23 □GT21

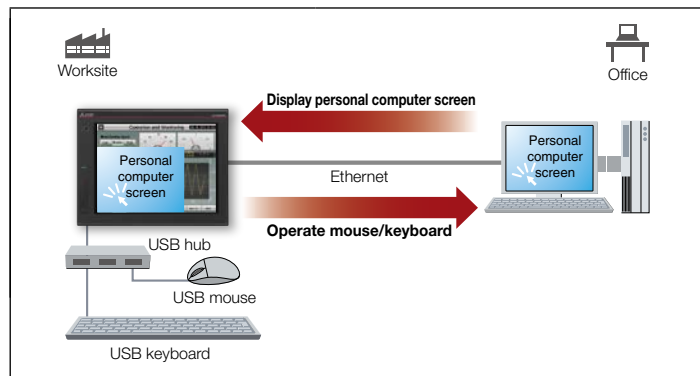


Remote personal computer operation function (Ethernet)

Connect GOT at the worksite to a personal computer in a remote location via Ethernet. This allows you to remotely operate the personal computer and view manuals and access the web browser on the computer. Connecting a USB mouse/keyboard to the front (or rear) USB interface makes it easier to operate the personal computer.

- * A separate license (GT25-PCRAKEY) is required.

☑GT27 ☑GT25 □GT23 □GT21



Monitor your worksite anytime, anywhere

For the details of the GOT2000 Series remote solution functions, please refer to the following catalogs.

- Mitsubishi Graphic Operation Terminal GOT2000 Series Catalog (L(NA)08270ENG)
- GOT Smart Web-based Remote Solutions Leaflet (L(NA)08399ENG)



*** Specification details and major restrictions**

For the supported connection types and necessary option devices, please refer to the Mitsubishi Graphic Operation Terminal GOT2000 Series Catalog (L(NA)08270ENG) or appropriate manuals.

*** Safety precautions**

If any of the remote maintenance functions are used to perform remote control of control equipment, the field operator may not notice the remote control, possibly leading to an accident. In addition, a communication delay or interruption may occur depending on the network environment, and remote control of control equipment cannot be performed normally in some cases. Before using the functions to perform remote control, fully grasp the circumstances of the field site and ensure safety.

Line-up

Features

Function list

Specifications/
External
dimensions

Product list

GOT2000
Series

GOT1000
Series

GOT SIMPLE
Series

ME/SOFT
GT Works3

GOT2000/1000/
GOT SIMPLE
Series Product list

MC Works64

GOT Easy Drive Control Interactive Solutions

Designed to suit your application and improve maintenance



GOT Drive

The GOT2000 provides advanced functionality and improves connectivity with Mitsubishi servo systems. It provides some functions of MR Configurator2 (supporting MR-J4). The new GOT Drive enhanced functionality is designed to eliminate need for additional hardware, software and suits customers' applications to speed up system startup, improve maintenance and troubleshooting.

Drive control interactive functions, supported models, and GT Works3 versions

○: Supported X: Not supported at this moment -: Not applicable

Function name	Supported model				System configuration				
	GT27	GT25	GT23	GT21	CASE 1	CASE 2/CASE 3	CASE 4	CASE 1	CASE 2
					MELSERVO-J4 Series			MELSERVO-JE Series	
					MR-J4-A(-RJ)	MR-J4-B(-RJ) MR-J4W2-B MR-J4W3-B	MR-J4-GF(-RJ)	MR-JE-A	MR-JE-B
Drive recorder function	○	○	×	×	-	○ Ver.1.155M or later *2	×	-	Coming soon
Machine diagnosis function	○	○	○	○	○ Ver.1.126G or later *1	○ Ver.1.155M or later *1	Coming soon	×	○ Ver.1.150G or later *1
Servo amplifier life diagnosis function	○	○	○	○	○ Ver.1.126G or later *1	○ Ver.1.155M or later *1	Coming soon	×	○ Ver.1.150G or later *1
One-touch tuning function	○	○	○	○	○ Ver.1.126G or later *1	○ Ver.1.155M or later *1	Coming soon	×	○ Ver.1.150G or later *1
Tuning function	○	○	○	○	○ Ver.1.126G or later *1	○ Ver.1.155M or later *1	Coming soon	×	○ Ver.1.150G or later *1
Power monitor	○	○	○	○	○ Ver.1.126G or later *1	○ Ver.1.155M or later *1	Coming soon	×	○ Ver.1.150G or later *1
Alarm display function	○	○	○	○	○ Ver.1.126G or later *1	○ Ver.1.155M or later *1	Coming soon	×	○ Ver.1.150G or later *1
Servo amplifier monitor function	○	○	×	×	○ A: Ver.1.100E or later *2 A-RJ: Ver.1.134Q or later *2	-	-	×	-
Intelligent module monitor function *4	○	○	×	×	○ *3 Ver.1.100E or later *2	○ Ver.1.100E or later *2	Coming soon	×	×
R motion monitor function *4	○	○	×	×	-	○ B: Ver.1.117X or later *2 B-RJ: Ver.1.134Q or later *2	-	-	-
Q motion monitor function *4	○	○	×	×	-	○ B: Ver.1.100E or later *2 B-RJ: Ver.1.134Q or later *2	-	-	-
Motion SFC monitor function *4	○	○	×	×	-	○ B: Ver.1.100E or later *2	-	-	-

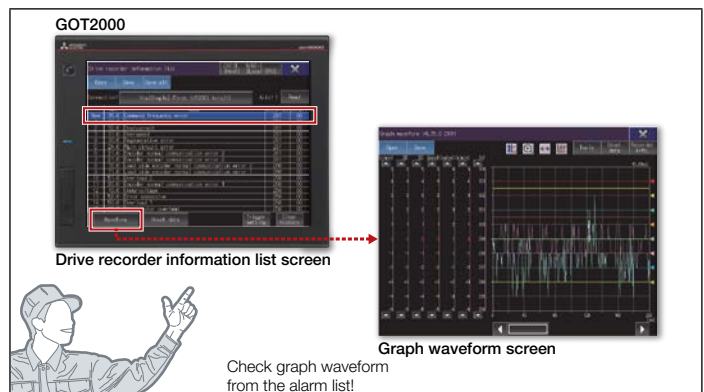
- *1 Indicates the version of GT Works3 that was used to create the sample screen (as of June 2016). The sample screen is the screen data that is included with GT Works3.
- *2 Indicates the version of GT Works3 that supports the dedicated screen. The dedicated screen is the screen that is provided as the extended function of GOT.
- *3 The function can be used by connecting GOT and programmable controller.
- *4 The supported version of GT Works3 differs depending on the type of connected device (CPU, intelligent function module).

NEW

Drive recorder function

GT27 GT25 GT23 GT21

GOT can be used to display the screen equivalent to the drive recorder of MR Configurator2. Easily check the servo data (motor current, position command, etc.) on GOT without using a personal computer.



Specification details and major restrictions

For the supported connection types and necessary option devices, please refer to the Mitsubishi Graphic Operation Terminal GOT2000 Series Catalog (L(NA)08270ENG) or appropriate manuals.

GOT1000 Series

GOT SIMPLE Series

MELSOFT GT Works3

GOT2000/1000/GOT SIMPLE Series Product list

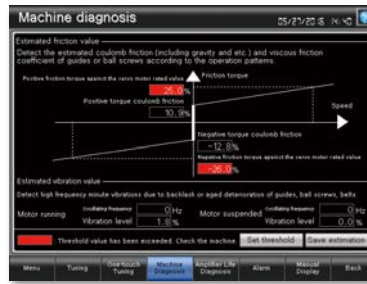
MC Works64

Machine diagnosis function/Servo amplifier life diagnosis function

GOT displays the diagnosis screen that is equivalent to the maintenance functions of MR Configurator2.

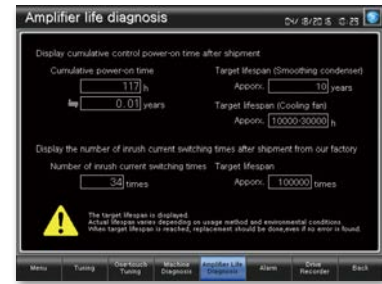
You can easily check the internal data of servo amplifiers on the GOT without a personal computer.

* Ready to use sample screens (VGA) are available.



Machine diagnosis screen*

✔GT27 ✔GT25 ✔GT23 ✔GT21



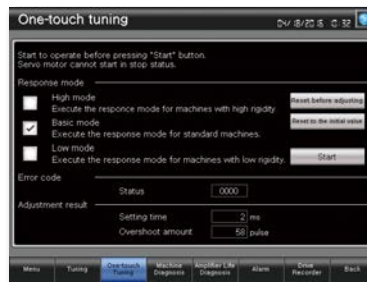
Servo amplifier life diagnosis screen*

One-touch tuning function/Tuning function

GOT displays the tuning screens that are equivalent to the adjustment functions of MR Configurator2.

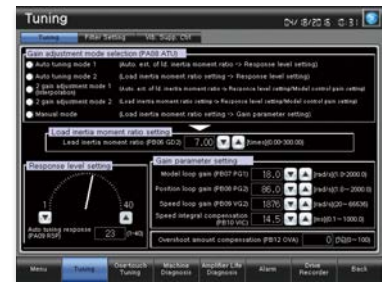
You can easily adjust gain parameters of servo amplifiers on the GOT without a personal computer.

* Ready to use sample screens (VGA) are available.



One-touch tuning screen*

✔GT27 ✔GT25 ✔GT23 ✔GT21



Tuning screen*

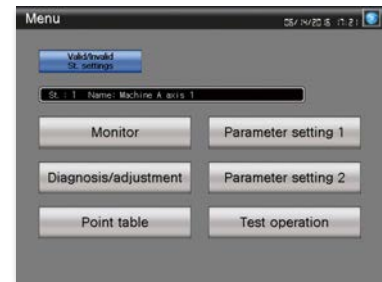
Servo amplifier monitor function

Various monitoring functions, changes to the parameter settings, and test operations can be performed on the servo amplifier connected to the GOT.



Dedicated screens

✔GT27 ✔GT25 □GT23 □GT21



Sample screens (VGA)

Connection samples [English, Japanese, Chinese (Simplified)]

✔GT27 ✔GT25 ✔GT23 □GT21

Sample screens are available for connection between GOT2000 and servo amplifiers.

You can change parameters, monitor servo amplifiers, and perform test operations.

Sample screens are included with GT Works3.

Advanced drive control connectivity provides additional value to your system

For the details of the GOT2000 Series drive control interactive functions, please refer to the following catalog.

- GOT2000 Series Drive Control Interactive Solutions Catalog (L(NA)08335ENG)



* Specification details and major restrictions

For the supported connection types and necessary option devices, please refer to the Mitsubishi Graphic Operation Terminal GOT2000 Series Catalog (L(NA)08270ENG) or appropriate manuals.

GT SoftGOT2000

GOT2000 compatible HMI software **GT SoftGOT2000** Version1

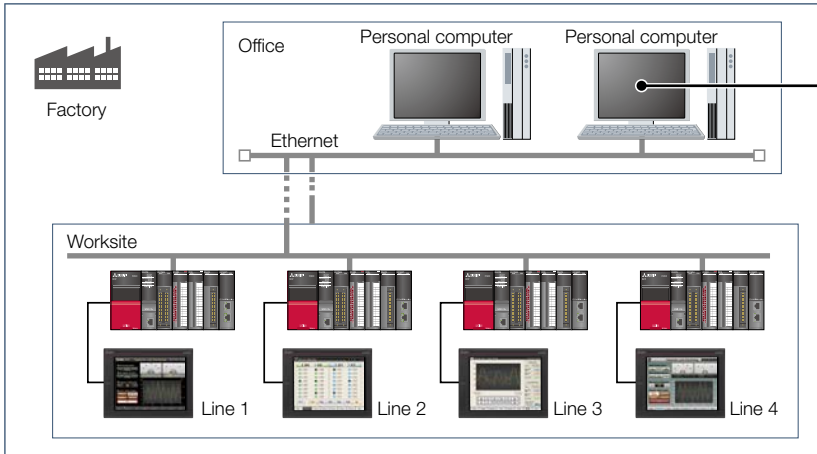
GT SoftGOT2000 Version1 is the software that has the same monitoring functions as the GOT2000 Series and is used on personal computers and panel controllers by connecting to various industrial devices.

* A separate license key must be mounted during use.

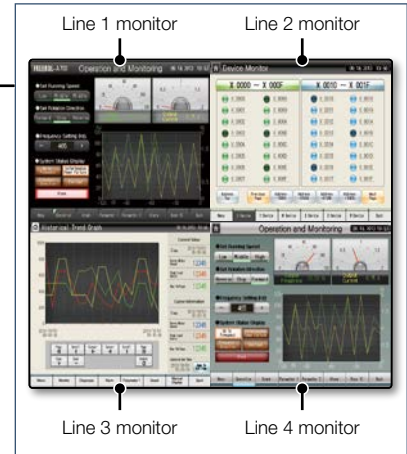


USB port license key

Monitor the production site from a remote location



GT SoftGOT2000



Use GT SoftGOT2000 to monitor the production site from your office. You can collect information quickly when a problem occurs, taking necessary actions immediately. The GOT project file running at your production site can be reused as the GT SoftGOT2000 project file, greatly reducing your design costs.

Engage with MELSEC process control

Simplify design and maintenance of a process control system by connecting PX Developer's monitor tools with GT SoftGOT2000. This process control monitoring system can be easily used in various process control applications.



- 1 **PX Developer face plates, etc.**
Monitor, operate or tune the loop control tags.
(The display position can be specified.)
- 2 **GT SoftGOT2000 touch switch/object**
Click on touch switches and objects to open the various screens of the PX Developer monitor tool. (The display position can be specified.)
- 3 **PX Developer monitor tool bar**
Click on buttons to execute various operations such as starting GT SoftGOT2000 or switching base screens.

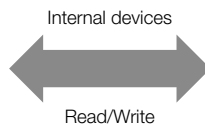
- 4 **GT SoftGOT2000 base screen**
Turn your desktop into a graphic monitoring window with the full-screen and back-screen mode.

Security collaboration
The GT SoftGOT2000 security level is changed accordingly when the PX Developer monitor tool's mode is changed (engineer mode, operator mode, or lock mode). Authority can be set for operations requiring security.

Interaction with other applications

Read and write GT SoftGOT2000 internal devices using the user-created applications. Interaction with user-created applications makes it possible to build advanced systems.

* For the supported applications, please refer to an appropriate manual.



Microsoft® Excel® VBA screen example

Line-up

Features

Function list

Specifications/
External
dimensions

Product list

GOT2000
Series

GOT1000
Series

GOT SIMPLE
Series

MELSOFT
GT Works3

GOT2000/1000/
GOT SIMPLE
Series Product list

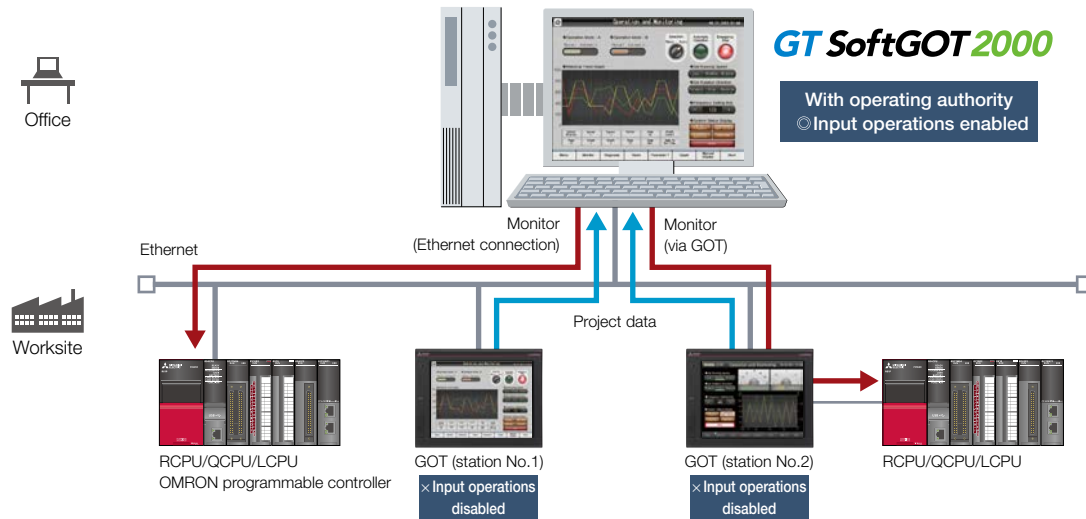
MC Works64

Remote monitoring with SoftGOT

GT27 GT25 GT23 GT21

SoftGOT-GOT link function

GT SoftGOT2000 allows remote monitoring of devices connected via Ethernet using the GOT project data. GT SoftGOT2000 and the GOT operate independently so that using a GOT internal device as the screen switching device enables GT SoftGOT2000 and the GOT to display different screens. Since GT SoftGOT2000 displays the GOT screen on the personal computer, the processing load on the GOT is reduced.

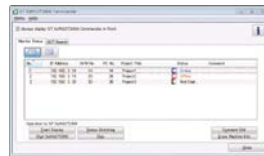


GT27 GT25 GT23 GT21

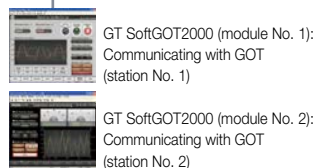
GT SoftGOT2000 Commander

By using GT SoftGOT2000 Commander, multiple GT SoftGOT2000 modules using the SoftGOT-GOT link function can be efficiently managed, and the SoftGOT-GOT link function can be utilized easily.

GT SoftGOT2000 Commander

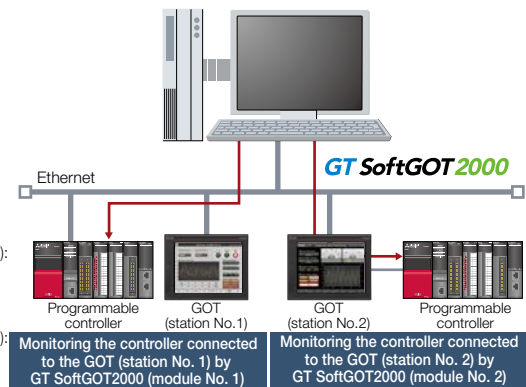


Management



GT SoftGOT2000 (module No. 1):
Communicating with GOT (station No. 1)

GT SoftGOT2000 (module No. 2):
Communicating with GOT (station No. 2)



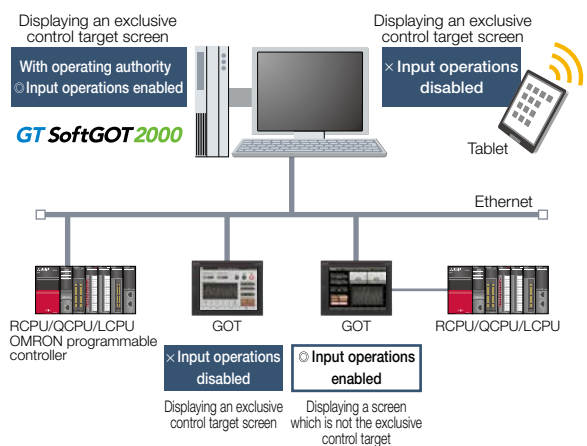
Monitoring the controller connected to the GOT (station No. 1) by GT SoftGOT2000 (module No. 1)

Monitoring the controller connected to the GOT (station No. 2) by GT SoftGOT2000 (module No. 2)

GT27 GT25 GT23 GT21

Safe with exclusive authorization control

The exclusive authorization control prevents simultaneous operations from multiple clients that use GT SoftGOT2000, GOT, VNC server/GOT Mobile function in the same network. The exclusive control can be enabled/disabled for each screen. (GOT network interaction)



Line-up
Features
Function list
Specifications/ External dimensions
Product list
GOT2000 Series
GOT1000 Series
GOT SIMPLE Series
ME/SOFT GT Works3
GOT2000/1000/ GOT SIMPLE Series Product list
MC Works64

Function list

For details of functions, supported controllers, and connection types, please refer to the GOT2000 Series appropriate manuals or Help.

● Supported —: Not supported

Category	Function name	Necessary devices *1	GT27	GT25	GT23	GT21	GT SoftGOT2000
Hardware specifications	Screen size	15"	●	—	—	—	Flexible resolution 640 to 1920 x 480 to 1200
		12.1"	●	●	—	—	
		10.4"	●	●	●	—	
		8.4"	●	●	●	—	
		5.7"	●	—	—	—	
		4.3" Wide	—	—	—	●	
	3.8"	—	—	—	●		
	Resolution	XGA 1024 × 768	—	—	—	—	Flexible resolution 640 to 1920 x 480 to 1200
		SVGA 800 × 600	●	●	—	—	
		VGA 640 × 480	●	●	●	—	
Color	Other	—	—	—	GT2104-R: 480 × 272 GT2103: 320 × 128	●	
	65536 colors	●	●	●	●		
Human sensor	Monochrome (black/white) 32 shade grayscale	—	—	—	●	—	
	Touch panel simultaneous press (2 points)	—	—	—	—	—	
Memory	Human sensor	—	● *10	—	—	—	
	Memory for storage (ROM)	—	Other than below: 57 MB GT2705: 32 MB	32 MB	9 MB	GT2104-R: 9 MB GT2103: 3 MB	57 MB
Memory	Memory for operation (RAM)	—	Other than below: 128 MB GT2705: 80 MB	80 MB	9 MB	—	—
	RS-232	—	●	●	●	●	● *12
Interface	RS-422/485	—	●	●	●	●	● *12
	Ethernet	—	●	●	●	●	● *11
	USB host	—	●	●	●	—	● *13
	USB device	—	●	●	●	●	—
	SD memory card slot	—	●	●	●	● *14	● *13
	Extension interface, Side interface	Communication units, option units	● *11	● *11	—	—	● *11
Figure/object functions	Figure	—	●	●	●	●	●
	Logo text	—	●	●	●	●	●
	Touch switch	—	●	●	●	●	●
	Lamp	—	●	●	●	●	●
	Numerical display, Numerical input	—	●	●	●	●	●
	Text display, Text input	—	●	●	●	●	●
	Date display, Time display	(Battery)	●	●	●	●	●
	Comment display	—	●	●	●	●	●
	Parts display	(SD memory card or USB memory)	●	●	●	● *16	●
	Parts movement	(SD memory card or USB memory)	●	●	●	● *16	●
	Historical data list display	(SD memory card or USB memory)	●	●	●	● *16	●
	Simple alarm display	—	●	●	●	●	●
	System alarm display	—	●	●	●	—	●
	Alarm display (user)	(SD memory card or USB memory, battery)	●	●	●	● *16	●
	Alarm display (system)	(SD memory card or USB memory, battery)	●	●	●	—	●
	Recipe display (record list)	NEW	●	●	●	—	●
	Line graph	—	●	●	●	●	●
	Trend graph	—	●	●	●	●	●
	Bar graph	—	●	●	●	●	●
	Statistic bar graph	—	●	●	●	●	●
Statistic pie graph	—	●	●	●	●	●	
Scatter graph	—	●	●	●	●	●	
Historical trend graph	(SD memory card or USB memory)	●	●	●	● *16	●	
Graphical meter	NEW	●	●	●	—	●	
Screen design	Level	—	●	●	●	●	●
	Panelmeter	—	●	●	●	●	●
	Slider	—	●	●	●	●	●
	Document display	SD memory card	●	●	—	—	●
	Logging	(SD memory card or USB memory, battery)	●	●	●	● *6	●
	Recipe	(SD memory card or USB memory)	●	●	●	● *16	●
	Device data transfer	—	●	●	●	●	●
	Trigger action	—	●	●	●	●	●
	Time action	(SD memory card or USB memory)	●	●	●	●	●
	Hard copy	File output	SD memory card or USB memory	●	●	●	● *6
Serial printer output		—	●	●	●	● *6	● *2
PictBridge printer output		Printer unit	●	●	—	—	● *2
Project script, Screen script	—	●	●	●	●	●	
Object script	—	●	●	●	—	●	
Functions performed on background of GOT	Barcode function	—	●	●	●	● *6	●
	RFID function	—	●	●	●	● *6	●
	GOT Mobile function	NEW License, (SD memory card)	●	●	—	—	—
	VNC server function	License	●	●	—	—	—
	Remote personal computer operation function (Ethernet)	License	●	●	—	—	—
	Remote personal computer operation function (serial)	RGB input unit or Video/RGB input unit	● *8	—	—	—	—
	Video display function	Video input unit or Video/RGB input unit	● *8	—	—	—	—
RGB display function	RGB input unit or Video/RGB input unit	● *8	—	—	—	—	
Functions used with peripheral devices	Multimedia function	Multimedia unit, CF card	● *8	—	—	—	—

Line-up

Features

Function list

Specifications/
External
dimensions

Product list

GOT2000
Series

GOT1000
Series

GOT SIMPLE
Series

MELSOFT
GT Works3

GOT2000/1000/
GOT SIMPLE
Series Product list

MC Works64

For details of functions, supported controllers, and connection types, please refer to the GOT2000 Series appropriate manuals or Help.
●: Supported —: Not supported

Category	Function name	Necessary devices *1	GT27	GT25	GT23	GT21	GT SoftGOT2000	
Screen design	External I/O function	External I/O unit	●	●	—	—	—	
	Operation panel function	External I/O unit	●	●	—	—	●	
	RGB output function	RGB output unit	●*8	—	—	—	—	
	Report function	Serial printer output	(SD memory card or USB memory)	●	●	●	●*6	●*3
		PictBridge printer output	SD memory card or USB memory, printer unit	●	●	—	—	●*3
	Sound output function	Sound output unit	●	●	—	—	●	
	Server function, Client function		●	●	—	—	—	
	Mail send function		●	●	—	—	●	
	FTP server function	(SD memory card or USB memory)	●	●	●	●*15 NEW	—	
	File transfer function (FTP transfer)	SD memory card or USB memory	●	●	●	●*15 NEW	—	
	File transfer function (GOT internal transfer) NEW	SD memory card or USB memory	●	●	●	—	—	
	MES interface function	License, (SD memory card)	●	●	—	—	—	
	Wireless LAN function	(Wireless LAN communication unit)	●	●	—	—	—	
	USB mouse, USB keyboard		●	●	●	—	●	
GOT functions	Base screen		●	●	●	●	●	
	Overlap window		●	●	●	●	●	
	Superimpose window		●	●	●	●	●	
	Dialog window		●	●	●	●	●	
	Mobile screen NEW		●	●	—	—	—	
	Key window		●	●	●	●	●	
	Language switching		●	●	●	●	●	
	System information		●	●	●	●	●	
	Operator authentication function	(SD memory card or USB memory)	●	●	●	●*16	●	
	Operation log	SD memory card or USB memory	●	●	●	—	●	
	Startup logo		●	●	●	●	●	
	KANA KANJI conversion		●	●	—	—	●	
	FA transparent		●	●	●	●	—	
	SoftGOT-GOT link	License key	●	●	—	—	●	
	Backup/Restoration	SD memory card or USB memory	●	●	●	●*6	—	
	Multi-channel function		●*9 4 channels (Up to 3 units)	● 4 channels (Up to 3 units)	● 2 channels (No units can be mounted)	●*6 2 channels (No units can be mounted)	—	
	Station No. switching		●	●	●	●	●	
	GOT network interaction NEW		●	●	●	—	●	
	Screen gesture function		●	—	—	—	—	
	Object gesture function		●	—	—	—	—	
	Security key authentication function		●	●	●	—	—	
IP filter function		●	●	●	—	—		
File manager NEW	(SD memory card or USB memory)	●	●	●	—	—		
Vertical display *5		(Rotate 90 ° to left)	(Rotate 90 ° to left)	(Rotate 90 ° to left)	(Rotate 90 ° to right)	—		
Maintenance functions	Device monitor		●	●	●	●	—	
	Sequence program monitor (Ladder)	SD memory card or USB memory	●	●	—	—	—	
	Sequence program monitor (SFC)	SD memory card or USB memory	●	●	—	—	—	
	Network monitor		●	●	—	—	—	
	Intelligent module monitor		●	●	—	—	—	
	Drive recorder NEW	(SD memory card or USB memory)	●	●	—	—	—	
	Servo amplifier monitor		●	●	—	—	—	
	R motion monitor		●	●	—	—	—	
	Q motion monitor		●	●	—	—	—	
	Motion SFC monitor	SD memory card or USB memory	●	●	—	—	—	
	CNC monitor		●*4	●*4	—	—	—	
	CNC data I/O	SD memory card or USB memory	●*4	●*4	—	—	—	
	CNC machining program edit		●*4	●*4	—	—	—	
	Log viewer	(SD memory card or USB memory)	●	●	—	—	—	
	FX list editor		●	●	●	●*7	—	
	FX ladder monitor		●	●	—	—	—	
	iQSS utility	SD memory card or USB memory	●	●	—	—	—	
	System launcher		●	●	●	—	—	
	MELSEC-L troubleshooting		●	●	—	—	—	

*1 Necessary units when using GT27, GT25, GT23, or GT21 are shown. Parenthesized devices are required depending on conditions of use.
 *2 Data is output to the printer that is recognized by the personal computer.
 *3 CSV files are saved in the virtual drive of the personal computer so that it is recommended to output the files to printers.
 *4 Only the GOTs with SVGA or higher resolution are supported.
 *5 Remote personal computer operation function (Ethernet) cannot be used. The following screens are displayed horizontally:
 Utility screen, monitor and data management screens that are displayed from the utility screen (sequence program monitor, etc.), video camera images in the multimedia and video display functions
 For the details of other GOT operations when placed vertically, please refer to the appropriate manuals or the Help.
 *6 Excluding GT2103-PMBLS.
 *7 GT2104-RTBD only.
 *8 Excluding GT2705.

*9 To use multiple units such as extension units, barcode readers, or RFID controllers with a GT2705, the total current consumption of the units should be less than the value that the GT2705 can provide. For the details, please refer to an appropriate GOT2000 series manual.
 *10 GT2715, GT2712 only.
 *11 For the applicable communication units and option units, please refer to the product list (page 620) and appropriate manuals.
 *12 Use the standard interface of the personal computer.
 *13 When using functions that require a USB memory or SD memory card, a virtual drive in the personal computer is used.
 *14 GT2103 requires an SD memory card unit (GT21-03SSDCD) separately. GT2103-PMBLS does not allow for SD memory cards.
 *15 GT2104-R, GT2103-PMBD only.
 *16 On GT2103-PMBLS, only the functions that do not require SD memory card can be used.

Specifications GOT2000 GT27 model

General specifications

Item	Specifications					
Operating ambient temperature *1	0 °C to 55 °C *2					
Storage ambient temperature	-20 °C to 60 °C					
Operating ambient humidity	10% RH to 90% RH, non-condensing					
Storage ambient humidity	10% RH to 90% RH, non-condensing					
Vibration resistance	Compliant with JIS B 3502 and IEC 61131-2		Frequency	Acceleration	Half amplitude	Sweep count
		Under intermittent vibration	5 to 8.4 Hz	—	3.5 mm	10 times in each X, Y, or Z direction
			8.4 to 150 Hz	9.8 m/s ²	—	
		Under continuous vibration	5 to 8.4 Hz	—	1.75 mm	—
		8.4 to 150 Hz	4.9 m/s ²	—		
Shock resistance	Compliant with JIS B 3502 and IEC 61131-2 (147 m/s ² (15G), 3 times in each X, Y, or Z direction)					
Operating atmosphere *6	No greasy fumes, corrosive gas, flammable gas, excessive conductive dust, and direct sunlight (as well as at storage)					
Operating altitude *3	2000 m or less					
Installation location	Inside control panel					
Overvoltage category *4	II or less					
Pollution degree *5	2 or less					
Cooling method	Self-cooling					
Grounding	Grounding with a ground resistance of 100 Ω or less. If impossible, connect the ground cable to the control panel.					

Operate and store the GOT in environments without direct sunlight, high temperature, dust, humidity, and vibrations.

For inquiries relating to the status of conforming to various standards and laws (CE, ATEX [to be obtained soon], UL/cUL, Class I Division 2, EAC, KC, KCs [to be obtained soon], and maritime certifications [ABS/BV/DNV GL/LR/NK/RINA]), please contact your local sales office.

*1 The operating ambient temperature includes the temperature inside the enclosure of the control panel to which the GOT is installed.

*2 When any of the following units is mounted, the maximum operating ambient temperature must be 5 °C lower than the one described in the general specifications: multimedia unit (GT27-MMR-Z), MELSECNET/H communication unit (GT15-J71LP23-25, GT15-J71BR13), CC-Link communication unit (GT15-J61BT13).

*3 Do not use or store the GOT under a pressure higher than the atmospheric pressure at altitude 0 m. Doing so may cause a malfunction. Air purging by applying pressure to the control panel may create clearance between the surface sheet and the touch panel. This may cause the touch panel to be not sensitive enough or the sheet to come off.

*4 This indicates the section of the power supply to which the equipment is assumed to be connected between the public electrical power distribution network and the machinery within the premises. Category II applies to equipment that is supplied with power from fixed facilities. The withstand surge voltage for the equipment with the rated voltage up to 300 V is 2500 V.

*5 This indicates the occurrence rate of conductive material in an environment where a device is used. Pollution degree 2 indicates an environment where only non-conductive pollution occurs normally and a temporary conductivity caused by condensation shall be expected depending on the conditions.

*6 Some models have ANSI/ISA 12.12.01 approval for use in Class I, Division 2 (ANSI/ISA 12.12.01, C22.2 No.213-M1987) hazardous locations. For the details, please contact your local sales office.

Performance specifications

Item	Specifications			
	GT2715-XBTA GT2715-XTBD	GT2712-STBA GT2712-STBD	GT2712-STWA GT2712-STWD	GT2710-STBA GT2710-STBD
Display device	TFT color LCD			
Screen size	15"	12.1"		10.4"
Resolution	XGA: 1024 × 768 dots			
Display size	304.1(11.97) (W) × 228.1(8.98) (H) mm(inch)		246(9.69) (W) × 184.5(7.26) (H) mm(inch)	
Display section *1 *2	16-dot standard font: 64 characters × 48 lines (two-byte characters) 12-dot standard font: 85 characters × 64 lines (two-byte characters)		16-dot standard font: 50 characters × 37 lines (two-byte characters) 12-dot standard font: 66 characters × 50 lines (two-byte characters)	
Display color	65536 colors			
Brightness adjustment	32 levels			
Backlight	LED (not replaceable)			
Backlight life *4	Approx. 60000 h (operating ambient temperature: 25 °C, display intensity: 50%)			
Touch panel *3	Type: Analog resistive film			
Key size	Minimum 2 × 2 dots *7 (per key)			
Simultaneous press	Up to two points			
Life	1 million touches or more (operating force: 0.98 N or less)			
Panel color	Black		White	Black
Human sensor	Detection length	1 m		—
	Detection temperature	Temperature difference between human body and ambient air: 4 °C or higher		
User memory	User memory capacity	Memory for storage (ROM): 57 MB Memory for operation (RAM): 128 MB		
	Life (number of write times)	100000 times		
Built-in clock precision	±90 seconds/month (ambient temperature: 25 °C)			
Battery	GT11-50BAT lithium battery			
	Life	Approx. 5 years (ambient temperature: 25 °C)		
	RS-232	1 channel Transmission speed: 115200, 57600, 38400, 19200, 9600, 4800 bps Connector shape: D-sub 9-pin (male)		
	RS-422/485	1 channel Transmission speed: 115200, 57600, 38400, 19200, 9600, 4800 bps Connector shape: D-sub 9-pin (female)		
	Ethernet	1 channel Data transfer method: 10BASE-T, 100BASE-TX Connector shape: RJ-45 (modular jack)		
	USB (host)	2 channels (front face, rear face)	1 channel (rear face)	2 channels (front face, rear face)
		Maximum transfer rate: High-Speed 480 Mbps Connector shape: USB-A		
Built-in interface	USB (device)	1 channel (front face)	1 channel (rear face)	1 channel (front face)
		Maximum transfer rate: High-Speed 480 Mbps Connector shape: USB Mini-B		
	SD memory card	1 channel, SDHC compliant (maximum 32 GB)		
	Extension interface *8	For installing a communication unit or an option unit		
	Auxiliary extension interface	For installing an option unit		
	Side interface	For installing a communication unit		
Buzzer output	Single tone (tone and tone length adjustable)			
POWER LED	2 colors (blue and orange)			
Protective structure	Front: IP67F *5 *8 Inside control panel: IP2X			
External dimensions	397(15.63) (W) × 300(11.81) (H) × 60(2.36) (D) mm(inch)	316(12.44) (W) × 246(9.69) (H) × 52(2.05) (D) mm(inch)		303(11.93) (W) × 218(8.58) (H) × 52(2.05) (D) mm(inch)
Panel cut dimensions	383.5(15.10) (W) × 282.5(11.12) (H) mm(inch)	302(11.89) (W) × 228(8.98) (H) mm(inch)		289(11.38) (W) × 200(7.87) (H) mm(inch)
Weight (excluding a fitting)	4.5(9.9) kg(lb)	2.4(5.3) kg(lb)		2.1(4.6) kg(lb)
Compatible software package	GT Works3 Version1.155M or later			

*1 As a characteristic of liquid crystal display panels, bright dots (always lit) and dark dots (never lit) may appear on the panel. Since liquid crystal display panels comprise a great number of display elements, the appearance of bright and dark dots cannot be reduced to zero. Individual differences in liquid crystal display panels may cause differences in color, uneven brightness and flickering. Note that these phenomena are characteristics of liquid crystal display panels and it does not mean the products are defective or damaged.

*2 Flickering may occur due to vibration, shock, or the display colors.

*3 When a stylus is used, the touch panel has a life of 100 thousand touches. The stylus must satisfy the following specifications.
• Material: polyacetal resin • Tip radius: 0.8 mm or more

Line-up

Features

Function list

Specifications/
External
dimensions

Product list

GOT2000
SeriesGOT1000
SeriesGOT SIMPLE
SeriesMELSOFT
GT Works3GOT2000/1000/
GOT SIMPLE
Series Product list

MC Works64

● Power supply specifications

Item	Specifications									
	GT2715-XTBA	GT2712-STBA GT2712-STWA	GT2710-STBA GT2710-VTBA GT2710-VTWA	GT2708-STBA GT2708-VTBA	GT2715-XTBD	GT2712-STBD GT2712-STWD	GT2710-STBD GT2710-VTBD GT2710-VTWD	GT2708-STBD GT2708-VTBD	GT2705-VTBD	
Power supply voltage	100 V AC to 240 V AC (+10%, -15%)					24 V DC (+25%, -20%)				
Power supply frequency	50 Hz/60 Hz (±5%)					—				
Power consumption	Under the maximum load	51 W or less	44 W or less	41 W or less	41 W or less	48 W or less	45 W or less	42 W or less	39 W or less	30 W or less
	Main unit	25 W	19 W	17 W	15 W	23 W	18 W	15 W	13 W	7 W
	Main unit (backlight OFF)	10 W	10 W	10 W	10 W	8 W	8 W	8 W	8 W	5 W
Inrush current	40 A or less (3 ms, ambient temperature: 25 °C, under the maximum load)	60 A or less (2 ms, ambient temperature: 25 °C, under the maximum load)			5 A or less (20 ms, ambient temperature: 25 °C, under the maximum load)			69 A or less (1 ms, ambient temperature: 25 °C, under the maximum load)		
Permissible instantaneous power failure time	20 ms or less (100 V AC or more)					10 ms or less				
Noise immunity	Noise voltage: 1500 Vp-p, noise width: 1 μs, measured by a noise simulator with noise frequency ranging from 25 Hz to 60 Hz					Noise voltage: 500 Vp-p, noise width: 1 μs, measured by a noise simulator with noise frequency ranging from 25 Hz to 60 Hz				
Withstand voltage	1500 V AC for 1 minute across power terminals and earth					350 V AC for 1 minute across power terminals and earth				
Insulation resistance	500 V DC across power terminals and earth, 10 MΩ or more by an insulation resistance tester									

Item	Specifications						
	GT2710-VTBA GT2710-VTBD	GT2710-VTWA GT2710-VTWD	GT2708-STBA GT2708-STBD	GT2708-VTBA GT2708-VTBD	GT2705-VTBD		
Display section *1 *2	Display device	TFT color LCD					
	Screen size	10.4"		8.4"		5.7"	
	Resolution	VGA: 640 × 480 dots		SVGA: 800 × 600 dots		VGA: 640 × 480 dots	
	Display size	211.2(8.31) (W) × 158.4(6.24) (H) mm(inch)		170.9(6.73) (W) × 128.2(5.05) (H) mm(inch)		115.2(4.54) (W) × 86.4(3.40) (H) mm(inch)	
	Number of displayed characters	16-dot standard font: 40 characters × 30 lines (two-byte characters) 12-dot standard font: 53 characters × 40 lines (two-byte characters)		16-dot standard font: 50 characters × 37 lines (two-byte characters) 12-dot standard font: 66 characters × 50 lines (two-byte characters)		16-dot standard font: 40 characters × 30 lines (two-byte characters) 12-dot standard font: 53 characters × 40 lines (two-byte characters)	
	Display color	65536 colors					
	Brightness adjustment	32 levels					
	Backlight	LED (not replaceable)					
Backlight life *4	Approx. 60000 h (operating ambient temperature: 25 °C, display intensity: 50%)						
Touch panel *3	Type	Analog resistive film					
	Key size	Minimum 2 × 2 dots *7 (per key)					
	Simultaneous press	Up to two points					
	Life	1 million touches or more (operating force: 0.98 N or less)					
Panel color	Black	White	Black				
Human sensor	Detection length	—					
	Detection temperature	—					
User memory	User memory capacity	Memory for storage (ROM): 57 MB Memory for operation (RAM): 128 MB			Memory for storage (ROM): 32 MB Memory for operation (RAM): 80 MB		
	Life (number of write times)	100000 times					
Built-in clock precision	±90 seconds/month (ambient temperature: 25 °C)						
Battery	GT11-50BAT lithium battery						
	Life	Approx. 5 years (ambient temperature: 25 °C)					
Built-in interface	RS-232	1 channel Transmission speed: 115200, 57600, 38400, 19200, 9600, 4800 bps Connector shape: D-sub 9-pin (male)					
	RS-422/485	1 channel Transmission speed: 115200, 57600, 38400, 19200, 9600, 4800 bps Connector shape: D-sub 9-pin (female)					
	Ethernet	1 channel Data transfer method: 10BASE-T, 100BASE-TX Connector shape: RJ-45 (modular jack)					
	USB (host)	2 channels (front face, rear face)		1 channel (rear face)		2 channels (front face, rear face)	
		Maximum transfer rate: High-Speed 480 Mbps Connector shape: USB-A					
	USB (device)	1 channel (front face)		1 channel (rear face)		1 channel (front face)	
		Maximum transfer rate: High-Speed 480 Mbps Connector shape: USB Mini-B					
	SD memory card	1 channel, SDHC compliant (maximum 32 GB)					
Extension interface *6	For installing a communication unit or an option unit						
Auxiliary extension interface	For installing an option unit				—		
Side interface	For installing a communication unit						
Buzzer output	Single tone (tone and tone length adjustable)						
POWER LED	2 colors (blue and orange)						
Protective structure	Front: IP67F *5 *8 Inside control panel: IP2X						
External dimensions	303(11.93) (W) × 218(8.58) (H) × 52(2.05) (D) mm(inch)		241(9.49) (W) × 194(7.64) (H) × 52(2.05) (D) mm(inch)		167(6.57) (W) × 139(5.47) (H) × 60(2.36) (D) mm(inch)		
Panel cut dimensions	289(11.38) (W) × 200(7.87) (H) mm(inch)		227(8.94) (W) × 176(6.93) (H) mm(inch)		153(6.02) (W) × 121(4.76) (H) mm(inch)		
Weight (excluding a fitting)	2.1(4.6) kg(lb)		1.5(3.3) kg(lb)		1.0(2.2) kg(lb)		
Compatible software package	GT Works3 Version1.155M or later						

- *4 To prevent the display section from burning in and lengthen the backlight life, enable the screen save function and turn off the backlight.
- *5 To conform to IP67F, close the USB environmental protection cover by pushing the [PUSH] mark firmly. (To conform to IP2X, open the USB environmental protection cover.) Note that the structure does not guarantee protection in all users' environments. The GOT may not be used in certain environments where it is subjected to splashing oil or chemicals for a long period of time or soaked in oil mist.
- *6 When using a GT2705 with multiple devices such as extension units, a barcode reader, and an RFID controller, the total amount of current must be within the maximum amount of current supplied by the GT2705. For the details, please refer to an appropriate GOT2000 series manual.
- *7 The minimum size of a key that can be arranged.
To ensure safe use of the product, the following settings are recommended.
• Key size: 16 × 16 dots or larger • Distance between keys: 16 dots or more
- *8 The suffix "F" of IP67F is a symbol that indicates protection rate against oil. It is described in the Appendix of Japanese Industrial Standard JIS C 0920.

Line-up

Features

Function list

Specifications/
External
dimensions

Product list

GOT2000
Series

GOT1000
Series

GOT SIMPLE
Series

ME/SOFT
GT Works3

GOT2000/1000/
GOT SIMPLE
Series Product list

MC Works64

Specifications GOT2000 GT25 model

General specifications

Item	Specifications					
Operating ambient temperature *1	0 °C to 55 °C *2					
Storage ambient temperature	-20 °C to 60 °C					
Operating ambient humidity	10% RH to 90% RH, non-condensing					
Storage ambient humidity	10% RH to 90% RH, non-condensing					
Vibration resistance	Compliant with JIS B 3502 and IEC 61131-2		Frequency	Acceleration	Half amplitude	Sweep count
		Under intermittent vibration	5 to 8.4 Hz	—	3.5 mm	10 times in each X, Y, or Z direction
			8.4 to 150 Hz	9.8 m/s ²	—	
		Under continuous vibration	5 to 8.4 Hz	—	1.75 mm	—
	8.4 to 150 Hz	4.9 m/s ²	—			
Shock resistance	Compliant with JIS B 3502 and IEC 61131-2 (147 m/s ² (15G), 3 times in each X, Y, or Z direction)					
Operating atmosphere *6	No greasy fumes, corrosive gas, flammable gas, excessive conductive dust, and direct sunlight (as well as at storage)					
Operating altitude *3	2000 m or less					
Installation location	Inside control panel					
Overvoltage category *4	II or less					
Pollution degree *5	2 or less					
Cooling method	Self-cooling					
Grounding	Grounding with a ground resistance of 100 Ω or less. If impossible, connect the ground cable to the control panel.					

- *1 The operating ambient temperature includes the temperature inside the enclosure of the control panel to which the GOT is installed.
- *2 When any of the following units is mounted, the maximum operating ambient temperature must be 5 °C lower than the one described in the general specifications: MELSECNET/H communication unit (GT15-J71LP23-25, GT15-J71BR13), CC-Link communication unit (GT15-J61BT13).
- *3 Do not use or store the GOT under a pressure higher than the atmospheric pressure at altitude 0 m. Doing so may cause a malfunction. Air purging by applying pressure to the control panel may create clearance between the surface sheet and the touch panel. This may cause the touch panel to be not sensitive enough or the sheet to come off.
- *4 This indicates the section of the power supply to which the equipment is assumed to be connected between the public electrical power distribution network and the machinery within the premises. Category II applies to equipment that is supplied with power from fixed facilities. The withstand surge voltage for the equipment with the rated voltage up to 300 V is 2500 V.
- *5 This indicates the occurrence rate of conductive material in an environment where a device is used. Pollution degree 2 indicates an environment where only non-conductive pollution occurs normally and a temporary conductivity caused by condensation shall be expected depending on the conditions.
- *6 Some models have ANSI/ISA 12.12.01 approval for use in Class I, Division 2 (ANSI/ISA 12.12.01, C22.2 No.213-M1987) hazardous locations. For the details, please contact your local sales office.

Operate and store the GOT in environments without direct sunlight, high temperature, dust, humidity, and vibrations.

For inquiries relating to the status of conforming to various standards and laws (CE, ATEX [to be obtained soon], UL/cUL, Class I Division 2, EAC, KC, KCs [to be obtained soon], and maritime certifications [ABS/BV/DNV GL/LR/NK/RINA]), please contact your local sales office.

Performance specifications

Item	Specifications				
	GT2512-STBA GT2512-STBD	GT2512F-STNA GT2512F-STND	GT2510-VTBA GT2510-VTBD	GT2510-VTWA GT2510-VTWD	GT2510F-VTNA GT2510F-VTND
Display device	TFT color LCD				
Screen size	12.1"		10.4"		
Resolution	SVGA: 800 × 600 dots		VGA: 640 × 480 dots		
Display size	246(9.69) (W) × 184.5(7.26) (H) mm(inch)		211.2(8.31) (W) × 158.4(6.24) (H) mm(inch)		
Number of displayed characters	16-dot standard font: 50 characters × 37 lines (two-byte characters) 12-dot standard font: 66 characters × 50 lines (two-byte characters)		16-dot standard font: 40 characters × 30 lines (two-byte characters) 12-dot standard font: 53 characters × 40 lines (two-byte characters)		
Display color	65536 colors				
Brightness adjustment	32 levels				
Backlight	LED (not replaceable)				
Backlight life *4	Approx. 60000 h (operating ambient temperature: 25 °C, display intensity: 50%)				
Type	Analog resistive film				
Key size	Minimum 2 × 2 dots *8 (per key)				
Simultaneous press	Not available *5 (Only 1 point can be touched.)				
Life	1 million touches or more (operating force: 0.98 N or less)				
Panel color	Black	—	Black	White	—
User memory capacity	Memory for storage (ROM): 32 MB Memory for operation (RAM): 80 MB				
Life (number of write times)	100000 times				
Built-in clock precision	±90 seconds/month (ambient temperature: 25 °C)				
Battery	GT11-50BAT lithium battery				
Life	Approx. 5 years (ambient temperature: 25 °C)				
RS-232	1 channel Transmission speed: 115200, 57600, 38400, 19200, 9600, 4800 bps Connector shape: D-sub 9-pin (male)				
RS-422/485	1 channel Transmission speed: 115200, 57600, 38400, 19200, 9600, 4800 bps Connector shape: D-sub 9-pin (female)				
Ethernet	1 channel Data transfer method: 10BASE-T, 100BASE-TX Connector shape: RJ-45 (modular jack)				
USB (host)	2 channels (front face, rear face)	1 channel (rear face)	2 channels (front face, rear face)	1 channel (rear face)	
USB (device)	Maximum transfer rate: High-Speed 480 Mbps Connector shape: USB-A				
SD memory card	1 channel, SDHC compliant (maximum 32 GB)				
Extension interface	For installing a communication unit or an option unit				
Side interface	For installing a communication unit				
Buzzer output	Single tone (tone and tone length adjustable)				
POWER LED	2 colors (blue and orange)				
Protective structure	Front: IP67F *6 *9 Inside control panel: IP2X	Front: IP67F *7 *9 Inside control panel: IP2X	Front: IP67F *6 *9 Inside control panel: IP2X		Front: IP67F *7 *9 Inside control panel: IP2X
External dimensions	316(12.44) (W) × 246(9.69) (H) × 52(2.05) (D) mm(inch)	311(12.24) (W) × 237(9.33) (H) × 54(2.13) (D) mm(inch)	303(11.93) (W) × 218(8.58) (H) × 52(2.05) (D) mm(inch)		298(11.73) (W) × 209(8.23) (H) × 54(2.13) (D) mm(inch)
Panel cut dimensions	302(11.89) (W) × 228(8.98) (H) mm(inch)	269(10.59) (W) × 214(8.43) (H) mm(inch)	289(11.38) (W) × 200(7.87) (H) mm(inch)		234(9.21) (W) × 187(7.36) (H) mm(inch)
Weight (excluding a fitting)	2.4(5.3) kg(lb)		2.1(4.6) kg(lb)		
Compatible software package	GT Works3 Version1.155M or later				

- *1 As a characteristic of liquid crystal display panels, bright dots (always lit) and dark dots (never lit) may appear on the panel. Since liquid crystal display panels comprise a great number of display elements, the appearance of bright and dark dots cannot be reduced to zero. Individual differences in liquid crystal display panels may cause differences in color, uneven brightness and flickering. Note that these phenomena are characteristics of liquid crystal display panels and it does not mean the products are defective or damaged.
- *2 Flickering may occur due to vibration, shock, or the display colors.
- *3 When a stylus is used, the touch panel has a life of 100 thousand touches. The stylus must satisfy the following specifications.
 - Material: polyacetal resin
 - Tip radius: 0.8 mm or more
- *4 To prevent the display section from burning in and lengthen the backlight life, enable the screen save function and turn off the backlight.

Line-up

Features

Function list

Specifications/
External
dimensions

Product list

GOT2000
Series

GOT1000
Series

GOT SIMPLE
Series

MELSOFT
GT Works3

GOT2000/1000/
GOT SIMPLE
Series Product list

MC Works64

● Power supply specifications

Item	Specifications					
	GT2512-STBA GT2512F-STNA	GT2510-VTBA GT2510F-VTNA	GT2508-VTBA GT2508F-VTNA	GT2512-STBD GT2512F-STND	GT2510-VTBD GT2510F-VTND	GT2508-VTBD GT2508F-VTND
Power supply voltage	100 V AC to 240 V AC (+10%, -15%)			24 V DC (+25%, -20%)		
Power supply frequency	50 Hz/60 Hz (±5%)			—		
Power consumption	Under the maximum load	35 W or less	34 W or less	31 W or less	37 W or less	33 W or less
	Main unit	14 W	12 W	11 W	13 W	10 W
	Main unit (backlight OFF)	7 W	7 W	7 W	6 W	6 W
Inrush current	60 A or less (2 ms, ambient temperature: 25 °C, under the maximum load)			5 A or less (20 ms, ambient temperature: 25 °C, under the maximum load)		
Permissible instantaneous power failure time	20 ms or less (100 V AC or more)			10 ms or less		
Noise immunity	Noise voltage: 1500 Vp-p, noise width: 1 μs, measured by a noise simulator with noise frequency ranging from 25 Hz to 60 Hz			Noise voltage: 500 Vp-p, noise width: 1 μs, measured by a noise simulator with noise frequency ranging from 25 Hz to 60 Hz		
Withstand voltage	1500 V AC for 1 minute across power terminals and earth			350 V AC for 1 minute across power terminals and earth		
Insulation resistance	500 V DC across power terminals and earth, 10 MΩ or more by an insulation resistance tester					

Item	Specifications		
	GT2508-VTBA GT2508-VTBD	GT2508-VTWA GT2508-VTWD	GT2508F-VTNA GT2508F-VTND
Display section *1 *2	Display device	TFT color LCD	
	Screen size	8.4"	
	Resolution	VGA: 640 × 480 dots	
	Display size	170.9(6.73) (W) × 128.2(5.05) (H) mm(inch)	
	Number of displayed characters	16-dot standard font: 40 characters × 30 lines (two-byte characters) 12-dot standard font: 53 characters × 40 lines (two-byte characters)	
	Display color	65536 colors	
	Brightness adjustment	32 levels	
	Backlight	LED (not replaceable)	
Backlight life *4	Approx. 60000 h (operating ambient temperature: 25 °C, display intensity: 50%)		
Touch panel *3	Type	Analog resistive film	
	Key size	Minimum 2 × 2 dots *8 (per key)	
	Simultaneous press	Not available *5 (Only 1 point can be touched.)	
	Life	1 million touches or more (operating force: 0.98 N or less)	
Panel color	Black	White	—
User memory	User memory capacity	Memory for storage (ROM): 32 MB Memory for operation (RAM): 80 MB	
	Life (number of write times)	100000 times	
Built-in clock precision	±90 seconds/month (ambient temperature: 25 °C)		
Battery	GT11-50BAT lithium battery		
	Life	Approx. 5 years (ambient temperature: 25 °C)	
Built-in interface	RS-232	1 channel Transmission speed: 115200, 57600, 38400, 19200, 9600, 4800 bps Connector shape: D-sub 9-pin (male)	
	RS-422/485	1 channel Transmission speed: 115200, 57600, 38400, 19200, 9600, 4800 bps Connector shape: D-sub 9-pin (female)	
	Ethernet	1 channel Data transfer method: 10BASE-T, 100BASE-TX Connector shape: RJ-45 (modular jack)	
	USB (host)	2 channels (front face, rear face)	1 channel (rear face)
		Maximum transfer rate: High-Speed 480 Mbps Connector shape: USB-A	
	USB (device)	1 channel (front face)	1 channel (rear face)
		Maximum transfer rate: High-Speed 480 Mbps Connector shape: USB Mini-B	
	SD memory card	1 channel, SDHC compliant (maximum 32 GB)	
Extension interface	For installing a communication unit or an option unit		
Side interface	For installing a communication unit		
Buzzer output	Single tone (tone and tone length adjustable)		
POWER LED	2 colors (blue and orange)		
Protective structure	Front: IP67F *6 *9 Inside control panel: IP2X		Front: IP67F *7 *9 Inside control panel: IP2X
	241(9.49) (W) × 194(7.64) (H) × 52(2.05) (D) mm(inch)		236(9.29) (W) × 185(7.28) (H) × 54(2.13) (D) mm(inch)
External dimensions	227(8.94) (W) × 176(6.93) (H) mm(inch)		194(7.64) (W) × 158(6.22) (H) mm(inch)
Panel cut dimensions	227(8.94) (W) × 176(6.93) (H) mm(inch)		194(7.64) (W) × 158(6.22) (H) mm(inch)
Weight (excluding a fitting)	1.5(3.3) kg(lb)		
Compatible software package	GT Works3 Version1.155M or later		

- *5 If you touch two points or more simultaneously on the touch panel, a touch switch near the touched points may operate unexpectedly. Do not touch two points or more simultaneously on the touch panel.
- *6 To conform to IP67F, close the USB environmental protection cover by pushing the [PUSH] mark firmly. (To conform to IP2X, open the USB environmental protection cover.) Note that the structure does not guarantee protection in all users' environments. The GOT may not be used in certain environments where it is subjected to splashing oil or chemicals for a long period of time or soaked in oil mist.
- *7 To conform to IP67F attach the environmental protection sheet. Note that the structure does not guarantee protection in all users' environments. The GOT may not be used in certain environments where it is subjected to splashing oil or chemicals for a long period of time or soaked in oil mist.
- *8 The minimum size of a key that can be arranged.
To ensure safe use of the product, the following settings are recommended.
• Key size: 16 × 16 dots or larger • Distance between keys: 16 dots or more
- *9 The suffix "F" of IP67F is a symbol that indicates protection rate against oil. It is described in the Appendix of Japanese Industrial Standard JIS C 0920.

Line-up

Features

Function list

Specifications/
External
dimensions

Product list

GOT2000
Series

GOT1000
Series

GOT SIMPLE
Series

MEISOFT
GT Works3

GOT2000/1000/
GOT SIMPLE
Series Product list

MC Works64

Specifications GOT2000 GT23 model

General specifications

Item	Specifications					
Operating ambient temperature *1	0 °C to 55 °C					
Storage ambient temperature	-20 °C to 60 °C					
Operating ambient humidity	10% RH to 90% RH, non-condensing *2					
Storage ambient humidity	10% RH to 90% RH, non-condensing *2					
Vibration resistance	Compliant with JIS B 3502 and IEC 61131-2	Under intermittent vibration	Frequency	Acceleration	Half amplitude	Sweep count
			5 to 8.4 Hz	—	3.5 mm	
		Under continuous vibration	8.4 to 150 Hz	9.8 m/s ²	—	10 times in each X, Y, or Z direction
			5 to 8.4 Hz	—	1.75 mm	
		8.4 to 150 Hz	4.9 m/s ²	—	—	
Shock resistance	Compliant with JIS B 3502 and IEC 61131-2 (147 m/s ² (15G), 3 times in each X, Y, or Z direction)					
Operating atmosphere	No greasy fumes, corrosive gas, flammable gas, excessive conductive dust, and direct sunlight (as well as at storage)					
Operating altitude *3	2000 m or less					
Installation location	Inside control panel					
Overvoltage category *4	II or less					
Pollution degree *5	2 or less					
Cooling method	Self-cooling					
Grounding	Grounding with a ground resistance of 100 Ω or less. If impossible, connect the ground cable to the control panel.					

*1 The operating ambient temperature includes the temperature inside the enclosure of the control panel to which the GOT is installed.

*2 If the ambient temperature exceeds 40 °C, the absolute humidity must not exceed 90% RH at 40 °C.

*3 Do not use or store the GOT under a pressure higher than the atmospheric pressure at altitude 0 m. Doing so may cause a malfunction. Air purging by applying pressure to the control panel may create clearance between the surface sheet and the touch panel. This may cause the touch panel to be not sensitive enough or the sheet to come off.

*4 This indicates the section of the power supply to which the equipment is assumed to be connected between the public electrical power distribution network and the machinery within the premises. Category II applies to equipment that is supplied with power from fixed facilities. The withstand surge voltage for the equipment with the rated voltage up to 300 V is 2500 V.

*5 This indicates the occurrence rate of conductive material in an environment where a device is used. Pollution degree 2 indicates an environment where only non-conductive pollution occurs normally and a temporary conductivity caused by condensation shall be expected depending on the conditions.

Operate and store the GOT in environments without direct sunlight, high temperature, dust, humidity, and vibrations.

For inquiries relating to the status of conforming to various standards and laws (CE, ATEX [to be obtained soon], UL/cUL, Class I Division 2, EAC, KC, KCs [to be obtained soon], and maritime certifications [ABS/BV/DNV GL/LR/NK/RINA]), please contact your local sales office.

Performance specifications

Item	Specifications		
	GT2310-VTBA GT2310-VTBD	GT2308-VTBA GT2308-VTBD	
Display device	TFT color LCD		
Screen size	10.4"	8.4"	
Resolution	VGA: 640 × 480 dots		
Display size	211.2(8.31) (W) × 158.4(6.24) (H) mm(inch)	170.9(6.73) (W) × 128.2(5.05) (H) mm(inch)	
Display section *1 *2	Number of displayed characters		
	16-dot standard font: 40 characters × 30 lines (two-byte characters)		
	12-dot standard font: 53 characters × 40 lines (two-byte characters)		
	Display color		
	65536 colors		
	Brightness adjustment		
	16 levels		
Backlight	LED (not replaceable)		
Backlight life *4	Approx. 50000 h (operating ambient temperature: 25 °C, display intensity: 50%)		
Touch panel *3	Type		
	Analog resistive film		
	Key size		
	Minimum 2 × 2 dots *7 (per key)		
Simultaneous press	Not available *5 (Only 1 point can be touched.)		
Life	1 million touches or more (operating force: 0.98 N or less)		
Panel color	Black		
User memory	User memory capacity		
	Memory for storage (ROM): 9 MB Memory for operation (RAM): 9 MB		
Life (number of write times)	100000 times		
Built-in clock precision	±90 seconds/month (ambient temperature: 25 °C)		
Battery	GT11-50BAT lithium battery		
	Life		
		Approx. 5 years (ambient temperature: 25 °C)	
Built-in interface	RS-232	1 channel Transmission speed: 115200, 57600, 38400, 19200, 9600, 4800 bps Connector shape: D-sub 9-pin (male)	
	RS-422/485	1 channel Transmission speed: 115200, 57600, 38400, 19200, 9600, 4800 bps Connector shape: D-sub 9-pin (female)	
	Ethernet	1 channel Data transfer method: 10BASE-T, 100BASE-TX Connector shape: RJ-45 (modular jack)	
	USB (host)	1 channel	
			Maximum transfer rate: Full-Speed 12 Mbps Connector shape: USB-A
	USB (device)	1 channel	
SD memory card	1 channel, SDHC compliant (maximum 32 GB)		
Buzzer output	Single tone (tone length adjustable)		
POWER LED	2 colors (blue and orange)		
Protective structure	Front: IP67F *6 *8 Inside control panel: IP2X		
External dimensions	303(11.93) (W) × 218(8.58) (H) × 56(2.20) (D) mm(inch)		
Panel cut dimensions	289(11.38) (W) × 200(7.87) (H) mm(inch)		
Weight (excluding a fitting)	1.9(4.2) kg(lb)		
Compatible software package	GT Works3 Version1.155M or later		

*1 As a characteristic of liquid crystal display panels, bright dots (always lit) and dark dots (never lit) may appear on the panel. Since liquid crystal display panels comprise a great number of display elements, the appearance of bright and dark dots cannot be reduced to zero. Individual differences in liquid crystal display panels may cause differences in color, uneven brightness and flickering. Note that these phenomena are characteristics of liquid crystal display panels and it does not mean the products are defective or damaged.

*2 Flickering may occur due to vibration, shock, or the display colors.

*3 When a stylus is used, the touch panel has a life of 100 thousand touches. The stylus must satisfy the following specifications.
• Material: polyacetal resin • Tip radius: 0.8 mm or more

*4 To prevent the display section from burning in and lengthen the backlight life, enable the screen save function and turn off the backlight.

*5 If you touch two points or more simultaneously on the touch panel, a touch switch near the touched points may operate unexpectedly. Do not touch two points or more simultaneously on the touch panel.

*6 Note that the structure does not guarantee protection in all users' environments. The GOT may not be used in certain environments where it is subjected to splashing oil or chemicals for a long period of time or soaked in oil mist.

*7 The minimum size of a key that can be arranged.
To ensure safe use of the product, the following settings are recommended.
• Key size: 16 × 16 dots or larger • Distance between keys: 16 dots or more

*8 The suffix "F" of IP67F is a symbol that indicates protection rate against oil. It is described in the Appendix of Japanese Industrial Standard JIS C 0920.

Line-up

Features

Function list

Specifications/
External
dimensions

Product list

GOT2000
SeriesGOT1000
SeriesGOT SIMPLE
SeriesMELSOFT
GT Works3GOT2000/1000/
GOT SIMPLE
Series Product list

MC Works64

● Power supply specifications

Item	Specifications				
	GT2310-VTBA	GT2308-VTBA	GT2310-VTBD	GT2308-VTBD	
Power supply voltage	100 V AC to 240 V AC (+10%, -15%)		24 V DC (+25%, -20%)		
Power supply frequency	50 Hz/60 Hz (±5%)		—		
Power consumption	Under the maximum load	18 W or less	11 W or less	16 W or less	11 W or less
	Main unit	15 W	9 W	13 W	8 W
	Main unit (backlight OFF)	8 W	6 W	7 W	6 W
Inrush current	40 A or less (4 ms, ambient temperature: 25 °C, under the maximum load)		40 A or less (2 ms, ambient temperature: 25 °C, under the maximum load)		
Permissible instantaneous power failure time	20 ms or less (100 V AC or more)		10 ms or less		
Noise immunity	Noise voltage: 1500 Vp-p, noise width: 1 μs, measured by a noise simulator with noise frequency ranging from 25 Hz to 60 Hz		Noise voltage: 500 Vp-p, noise width: 1 μs, measured by a noise simulator with noise frequency ranging from 25 Hz to 60 Hz		
Withstand voltage	1500 V AC for 1 minute across power terminals and earth		350 V AC for 1 minute across power terminals and earth		
Insulation resistance	500 V DC across power terminals and earth, 10 MΩ or more by an insulation resistance tester				

Line-up

Features

Function list

Specifications/
External
dimensions

Product list

GOT2000
Series

GOT1000
Series

GOT SIMPLE
Series

ME/SOFT
GT Works3

GOT2000/1000/
GOT SIMPLE
Series Product list

MC Works64

Specifications GOT2000 GT21 model

General specifications

Item	Specifications					
Operating ambient temperature *1	0 °C to 55 °C (horizontal installation), 0 °C to 50 °C (vertical installation)					
Storage ambient temperature	-20 °C to 60 °C					
Operating ambient humidity	10% RH to 90% RH, non-condensing *2					
Storage ambient humidity	10% RH to 90% RH, non-condensing *2					
Vibration resistance	Compliant with JIS B 3502 and IEC 61131-2		Frequency	Acceleration	Half amplitude	Sweep count
		Under intermittent vibration	5 to 8.4 Hz	—	3.5 mm	10 times in each X, Y, or Z direction
			8.4 to 150 Hz	9.8 m/s ²	—	
		Under continuous vibration	5 to 8.4 Hz	—	1.75 mm	—
8.4 to 150 Hz	4.9 m/s ²		—			
Shock resistance	Compliant with JIS B 3502 and IEC 61131-2 (147 m/s ² (15G), 3 times in each X, Y, or Z direction)					
Operating atmosphere	No greasy fumes, corrosive gas, flammable gas, excessive conductive dust, and direct sunlight (as well as at storage)					
Operating altitude *3	2000 m or less					
Installation location	Inside control panel					
Overvoltage category *4	II or less					
Pollution degree *5	2 or less					
Cooling method	Self-cooling					
Grounding	Grounding with a ground resistance of 100 Ω or less by using a ground cable that has a cross-sectional area of 0.14 to 1.5 mm ² (single wire), 0.14 to 1.0 mm ² (stranded wire), or 0.25 to 0.5 mm ² (rod terminal with an insulation sleeve). If possible, connect the ground cable to the control panel. *6					
Operate and store the GOT in environments without direct sunlight, high temperature, dust, humidity, and vibrations.						

*1 The operating ambient temperature includes the temperature inside the enclosure of the control panel to which the GOT is installed.

*2 If the ambient temperature exceeds 40 °C, the absolute humidity must not exceed 90% RH at 40 °C.

*3 Do not use or store the GOT under a pressure higher than the atmospheric pressure at altitude 0 m. Doing so may cause a malfunction. Air purging by applying pressure to the control panel may create clearance between the surface sheet and the touch panel. This may cause the touch panel to be not sensitive enough or the sheet to come off.

*4 This indicates the section of the power supply to which the equipment is assumed to be connected between the public electrical power distribution network and the machinery within the premises. Category II applies to equipment that is supplied with power from fixed facilities. The withstand surge voltage for the equipment with the rated voltage up to 300 V is 2500 V.

*5 This indicates the occurrence rate of conductive material in an environment where a device is used. Pollution degree 2 indicates an environment where only non-conductive pollution occurs normally and a temporary conductivity caused by condensation shall be expected depending on the conditions.

*6 5 V DC type does not require grounding.

For inquiries relating to the status of conforming to various standards and laws (CE, ATEX [to be obtained soon], UL/cUL, Class I Division 2, EAC, KC, KCs [to be obtained soon], and maritime certifications [ABS/BV/DNV GL/LR/NK/RINA]), please contact your local sales office.

Performance specifications

Item	Specifications				
	GT2104-RTBD	GT2103-PMBD	GT2103-PMBDS	GT2103-PMBDS2	GT2103-PMBLS
Display section *1	Display device	TFT color LCD			
	Screen size	4.3" Wide			
	Resolution	480 × 272 dots			
	Display size	95.0(3.74) (W) × 53.8(2.12) (H) mm(inch)			
	Number of displayed characters	16-dot standard font: 30 characters × 17 lines (two-byte characters) 12-dot standard font: 40 characters × 22 lines (two-byte characters)			
	Display color	65536 colors			
	Brightness adjustment	32 levels			
	Backlight	LED (not replaceable)			
Touch panel *3	Type	Analog resistive film			
	Key size	Minimum 2 × 2 dots *9 (per key)			
	Simultaneous press	Not available *5 (Only 1 point can be touched.)			
	Life	1 million touches or more (operating force: 0.98 N or less)			
Panel color	Black				
User memory	User memory capacity	Memory for storage (ROM): 9 MB			
	Life (number of write times)	100000 times			
Built-in interface	RS-232	1 channel Transmission speed: 115200, 57600, 38400, 19200, 9600, 4800 bps Connector shape: 9-pin connector terminal block	—	1 channel Transmission speed: 115200, 57600, 38400, 19200, 9600, 4800 bps Connector shape: MINI-DIN 6-pin (female)	—
	RS-422/485	1 channel Transmission speed: 115200, 57600, 38400, 19200, 9600, 4800 bps Connector shape: 9-pin connector terminal block	1 channel Transmission speed: 115200, 57600, 38400, 19200, 9600, 4800 bps Connector shape: 5-pin connector terminal block	1 channel Transmission speed: 115200, 57600, 38400, 19200, 9600, 4800 bps Connector shape: 9-pin connector terminal block	—
	RS-422	—			1 channel Transmission speed: 115200, 57600, 38400, 19200, 9600, 4800 bps Connector shape: 9-pin connector terminal block
	Ethernet	1 channel Data transfer method: 10BASE-T, 100BASE-TX Connector shape: RJ-45 (modular jack)			—
	USB (device)	1 channel Maximum transfer rate: Full-Speed 12 Mbps Connector shape: USB Mini-B			
SD memory card	1 channel, SDHC compliant (maximum 32 GB)	1 channel, SDHC compliant (maximum 32 GB) *6			—
Buzzer output	Single tone (tone length adjustable)				
Protective structure	Front: IP67F *7 *10 Inside control panel: IP2X				
External dimensions	128(5.04) (W) × 102(4.02) (H) × 40(1.57) (D) mm(inch)	113(4.45) (W) × 74(2.91) (H) × 32(1.26) (D) mm(inch)	113(4.45) (W) × 74(2.91) (H) × 27(1.06) (D) mm(inch) *8		113(4.45) (W) × 74(2.91) (H) × 27(1.06) (D) mm(inch)
Panel cut dimensions	118(4.65) (W) × 92(3.62) (H) mm(inch)				105(4.13) (W) × 66(2.60) (H) mm(inch)
Weight (excluding a fitting)	0.4(0.88) kg(lb)		0.2(0.44) kg(lb)		0.18(0.40) kg(lb)
Compatible software package	GT Works3 Version1.155M or later				

*1 As a characteristic of liquid crystal display panels, bright dots (always lit) and dark dots (never lit) may appear on the panel. Since liquid crystal display panels comprise a great number of display elements, the appearance of bright and dark dots cannot be reduced to zero. Individual differences in liquid crystal display panels may cause differences in color, uneven brightness and flickering. Note that these phenomena are characteristics of liquid crystal display panels and it does not mean the products are defective or damaged.

*2 Flickering may occur due to vibration, shock, or the display colors.

*3 When a stylus is used, the touch panel has a life of 100 thousand touches. The stylus must satisfy the following specifications.
• Material: polyacetal resin • Tip radius: 0.8 mm or more

*4 To prevent the display section from burning in and lengthen the backlight life, enable the screen save function and turn off the backlight.

*5 If you touch two points or more simultaneously on the touch panel, a touch switch near the touched points may operate unexpectedly. Do not touch two points or more simultaneously on the touch panel.

*6 The SD memory card unit (GT21-03SDCD), sold separately, needs to be mounted.

*7 Note that the structure does not guarantee protection in all users' environments. The GOT may not be used in certain environments where it is subjected to splashing oil or chemicals for a long period of time or soaked in oil mist.

*8 The dimension when the SD memory card unit (GT21-03SDCD) is mounted is 113(4.45) (W) × 74(2.91) (H) × 32(1.26) (D) mm(inch).

*9 The minimum size of a key that can be arranged.
To ensure safe use of the product, the following settings are recommended.
• Key size: 16 × 16 dots or larger

*10 The suffix "F" of IP67F is a symbol that indicates protection rate against oil. It is described in the Appendix of Japanese Industrial Standard JIS C 0920.

Line-up

Features

Function list

Specifications/
External
dimensions

Product list

GOT2000
SeriesGOT1000
SeriesGOT SIMPLE
SeriesMELSOFT
GT Works3GOT2000/1000/
GOT SIMPLE
Series Product list

MC Works64

● Power supply specifications

Item	Specifications					
	GT2104-RTBD	GT2103-PMBD	GT2103-PMBDS	GT2103-PMBDS2	GT2103-PMBLS	
Power supply voltage	24 V DC (+10%, -15%)				5 V DC (+5%, -5%) Power from the PLC	
Power supply frequency	—					
Power consumption	Under the maximum load	4.4 W or less	2.6 W or less	1.9 W or less	2.2 W or less	1.1 W or less
	Main unit (backlight OFF)	2.9 W	2.0 W	1.3 W	1.6 W	0.7 W
Inrush current	18 A or less (2 ms, ambient temperature: 25 °C, under the maximum load)	30 A or less (1 ms, ambient temperature: 25 °C, under the maximum load)			—	
Permissible instantaneous power failure time	5 ms or less				—	
Noise immunity	Noise voltage: 1000 Vp-p, noise width: 1 μs, measured by a noise simulator with noise frequency ranging from 30 Hz to 100 Hz					
Withstand voltage	500 V AC for 1 minute across power terminals and earth				—	
Insulation resistance	500 V DC across power terminals and earth, 10 MΩ or more by an insulation resistance tester				—	

Line-up

Features

Function list

Specifications/
External
dimensions

Product list

GOT2000
Series

GOT1000
Series

GOT SIMPLE
Series

ME/SOFT
GT Works3

GOT2000/1000/
GOT SIMPLE
Series Product list

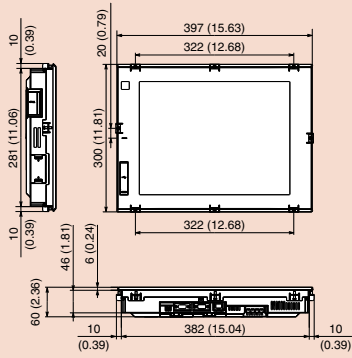
MC Works64

GT27/GT25

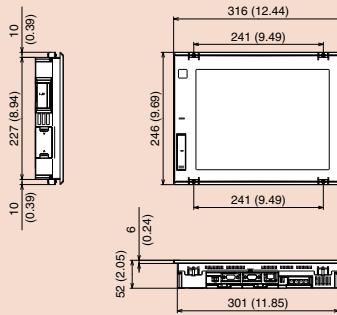
External dimensions

Unit: mm (inch)

GT2715

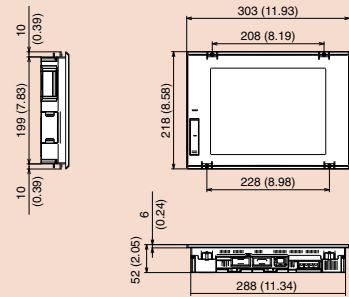


GT2712/GT2512

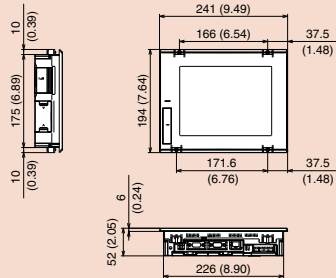


* Human sensor is on GT2712 only.

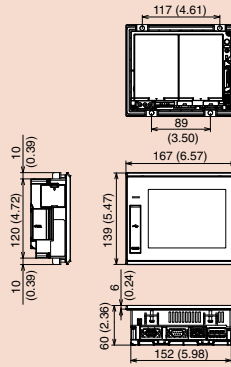
GT2710/GT2510



GT2708/GT2508



GT2705



Specifications/
External
dimensions

Line-up

Features

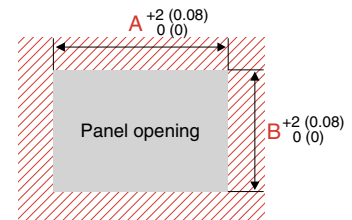
Function list

Panel cut dimensions

Unit: mm (inch)

Screen size	Model	A	B	Remarks
15"	GT2715	383.5 (15.10)	282.5 (11.12)	Same dimensions as GT1695, GT1595.
12.1"	GT2712 GT2512	302 (11.89)	228 (8.98)	Same dimensions as GT1685, GT1585, A985GOT.
10.4"	GT2710 GT2510	289 (11.38)	200 (7.87)	Same dimensions as GT167□, GT157□, GT1275, A97□GOT.
8.4"	GT2708 GT2508	227 (8.94)	176 (6.93)	Same dimensions as GT166□, GT156□, GT1265.
5.7"	GT2705	153 (6.02)	121 (4.76)	Same dimensions as GT1655, GT155□, GT145□, GT115□, GT105□, F940GOT.

GT27/GT25



* Panel thickness: 1.6 mm to 4 mm
(0.06 inch to 0.16 inch)

GOT2000/1000/
GOT SIMPLE
Series Product list

MC Works64

GOT1000
Series

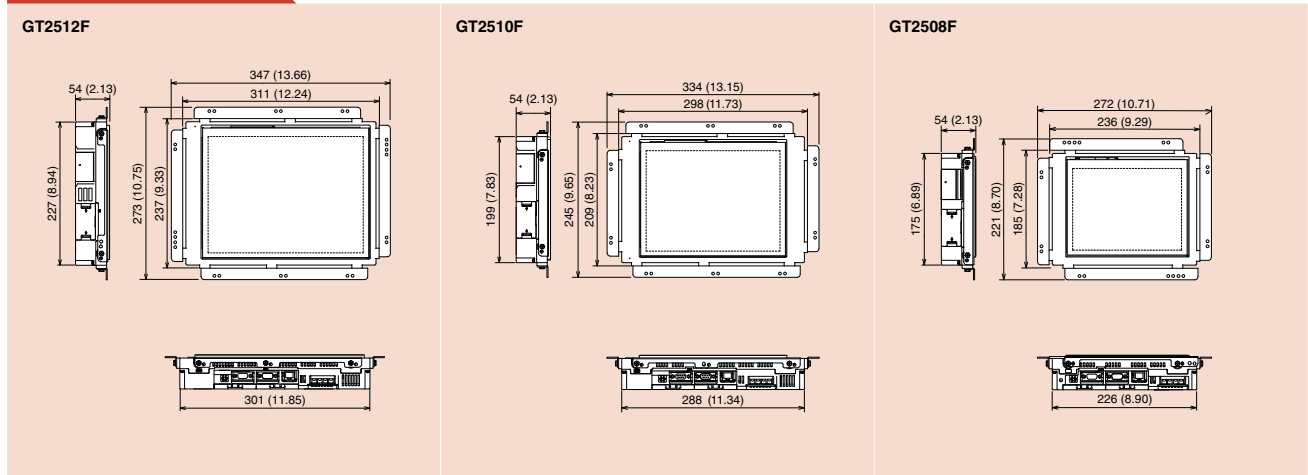
GOT SIMPLE
Series

MELSOFT
GT Works3

GT25 (open frame model)

External dimensions

Unit: mm (inch)



* Install the fittings on the top and bottom, or the right and left of the GOT.

Panel cut dimensions/Measurements based on the screen center

Unit: mm (inch)

Screen size	Model	Panel cutting dimensions		Measurements based on the screen center			
		X	Y	X1	X2	Y1	Y2
12.1"	GT2512F	214(8.43) (+2(0.08), 0(0))	269(10.59) (+2(0.08), 0(0))	103(4.06) (+2(0.08), 0(0))	(111(4.37))	134.5(5.30) (+1(0.04), 0(0))	(134.5(5.30))
10.4"	GT2510F	187(7.36) (+2(0.08), 0(0))	234(9.21) (+2(0.08), 0(0))	89.5(3.52) (+1(0.04), 0(0))	(97.5(3.84))	117(4.61) (+1(0.04), 0(0))	(117(4.61))
8.4"	GT2508F	158(6.22) (+2(0.08), 0(0))	194(7.64) (+2(0.08), 0(0))	75.25(2.96) (+1(0.04), 0(0))	(82.75(3.26))	97.5(3.84) (+1(0.04), 0(0))	(96.5(3.80))

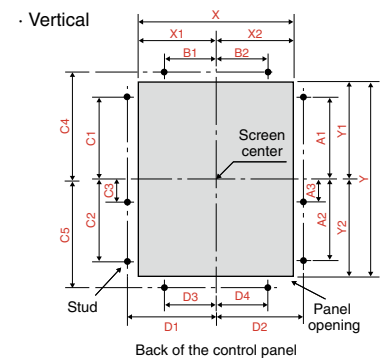
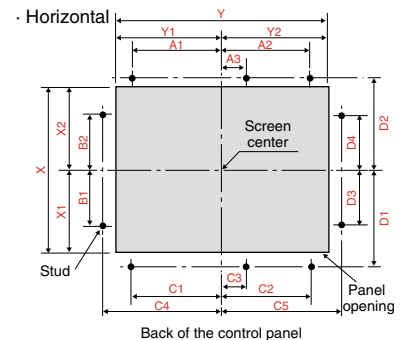
Screen size	Model	Distance between studs *				
		A1	A2	A3	B1	B2
12.1"	GT2512F	98(3.86)± 0.15(0.01)	113(4.45)± 0.15(0.01)	7.5(0.30)± 0.15(0.01)	75.5(2.97)± 0.15(0.01)	79.5(3.13)± 0.15(0.01)
10.4"	GT2510F	105.5(4.15)± 0.15(0.01)	105.5(4.15)± 0.15(0.01)	0(0)	58(2.28)± 0.15(0.01)	58(2.28)± 0.15(0.01)
8.4"	GT2508F	64.5(2.54)± 0.15(0.01)	74.5(2.93)± 0.15(0.01)	—	58(2.28)± 0.15(0.01)	58(2.28)± 0.15(0.01)

Screen size	Model	Distance between studs *				
		C1	C2	C3	C4	C5
12.1"	GT2512F	98(3.86)± 0.15(0.01)	113(4.45)± 0.15(0.01)	7.5(0.30)± 0.15(0.01)	160(6.30)± 0.15(0.01)	175(6.89)± 0.15(0.01)
10.4"	GT2510F	105.5(4.15)± 0.15(0.01)	105.5(4.15)± 0.15(0.01)	0(0)	161(6.34)± 0.15(0.01)	161(6.34)± 0.15(0.01)
8.4"	GT2508F	64.5(2.54)± 0.15(0.01)	74.5(2.93)± 0.15(0.01)	—	126(4.96)± 0.15(0.01)	134(5.28)± 0.15(0.01)

Screen size	Model	Distance between studs *			
		D1	D2	D3	D4
12.1"	GT2512F	128.5(5.06)± 0.15(0.01)	132.5(5.22)± 0.15(0.01)	75.5(2.97)± 0.15(0.01)	79.5(3.13)± 0.15(0.01)
10.4"	GT2510F	114.5(4.51)± 0.15(0.01)	118.5(4.67)± 0.15(0.01)	58(2.28)± 0.15(0.01)	58(2.28)± 0.15(0.01)
8.4"	GT2508F	104.5(4.11)± 0.15(0.01)	104.5(4.11)± 0.15(0.01)	58(2.28)± 0.15(0.01)	58(2.28)± 0.15(0.01)

* To mount the GOT on the control panel, studs are necessary. Align the studs with the installation holes of the fittings, and install the studs. The fittings must be installed on the top and bottom, or the right and left of the GOT. For GT2512F, you are recommended to install the fittings on the long sides of the GOT.

GT25 (open frame model)



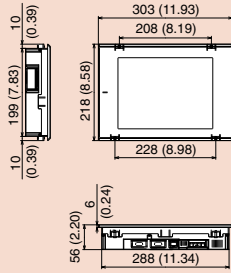
* Panel thickness: 1.5 mm to 4 mm
(0.06 inch to 0.16 inch)

GT23

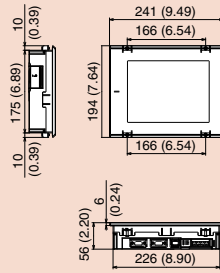
External dimensions

Unit: mm (inch)

GT2310



GT2308

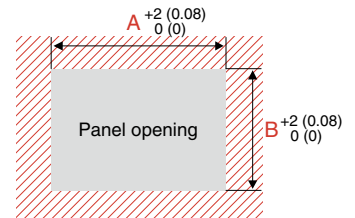


Panel cut dimensions

Unit: mm (inch)

Screen size	Model	A	B	Remarks
10.4"	GT2310	289 (11.38)	200 (7.87)	Same dimensions as GT167□, GT157□, GT1275, A97□GOT.
8.4"	GT2308	227 (8.94)	176 (6.93)	Same dimensions as GT166□, GT156□, GT1265.

GT23



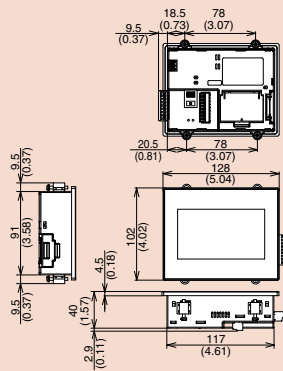
* Panel thickness: 1.6 mm to 4 mm (0.06 inch to 0.16 inch)

GT21

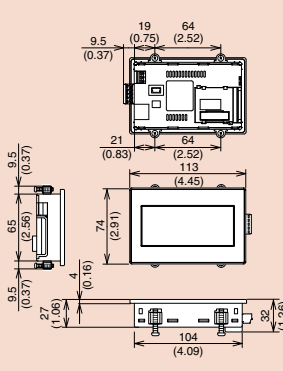
External dimensions

Unit: mm (inch)

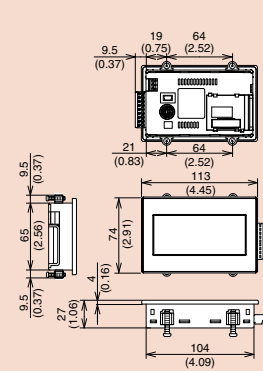
GT2104-RTBD



GT2103-PMBD



GT2103-PMBDS/GT2103-PMBDS2/GT2103-PMBLS

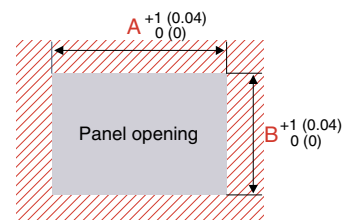


Panel cut dimensions

Unit: mm (inch)

Screen size	Model	A	B	Remarks
4.3" Wide	GT2104	118 (4.65)	92 (3.62)	—
3.8"	GT2103	105 (4.13)	66 (2.60)	Same dimensions as GT1020.

GT21

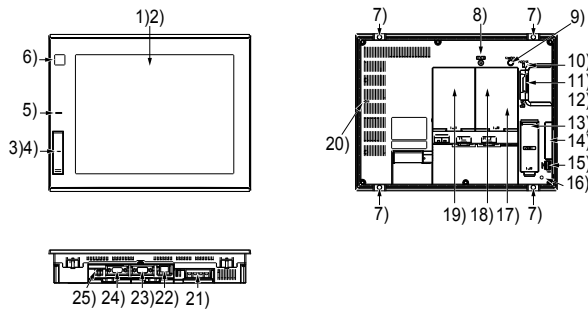


* Panel thickness: 1 mm to 4 mm (0.04 inch to 0.16 inch)

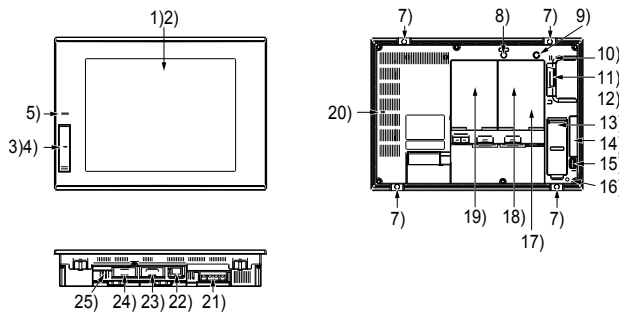
GT27

Components names

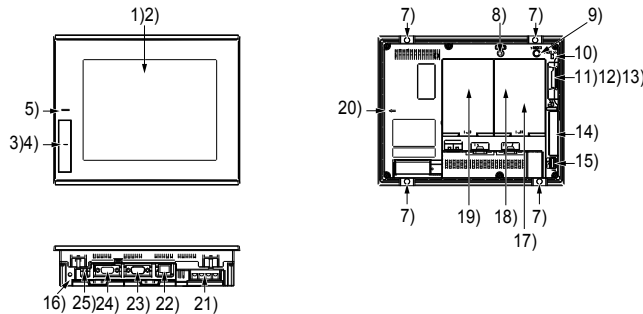
GT2715/GT2712



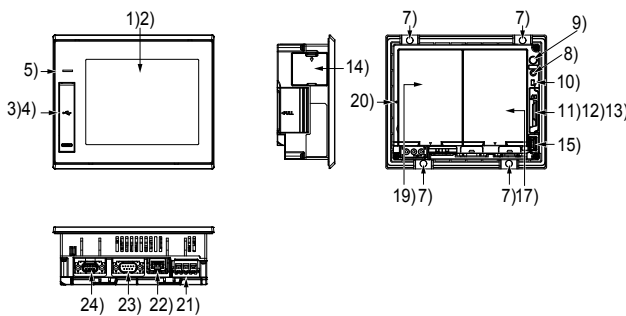
GT2710



GT2708



GT2705

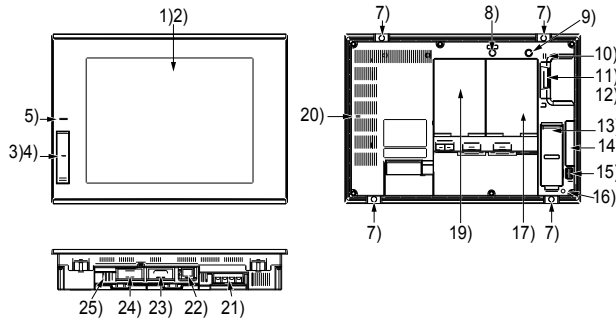


- 1) Display section
- 2) Touch panel
- 3) USB interface (host/front face)
* Excluding white model
- 4) USB interface (device/front face)
* Excluding white model
- 5) POWER LED
- 6) Human sensor
* GT2715, GT2712 only
- 7) Unit installation fitting
- 8) Reset switch
- 9) S.MODE switch
- 10) SD memory card access LED
- 11) SD memory card interface (inside the cover)
- 12) SD memory card cover
- 13) Battery (inside the cover)
- 14) Side interface (inside the cover)
- 15) USB interface (host/rear face)
- 16) Cable clamp mounting hole
- 17) Terminating resistor setting switch (inside the cover)
- 18) Auxiliary extension interface
* GT27 only (excluding GT2705)
- 19) Extension interface
- 20) Vertical installation arrow mark
- 21) Power terminal
- 22) Ethernet interface/
Ethernet communication status LED
- 23) RS-232 interface
- 24) RS-422/485 interface
- 25) USB interface (device/rear face)
* White model only

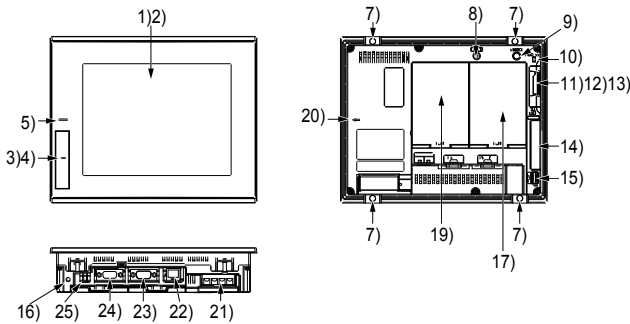
GT25

Components names

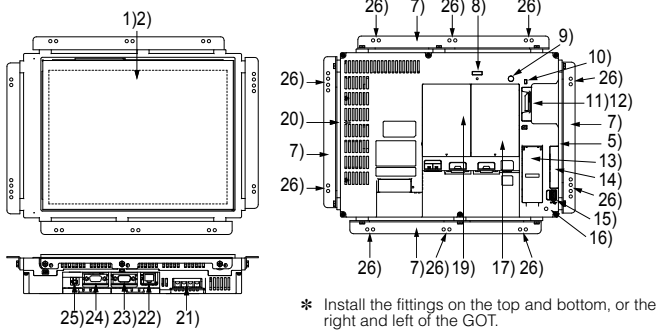
GT2512/GT2510



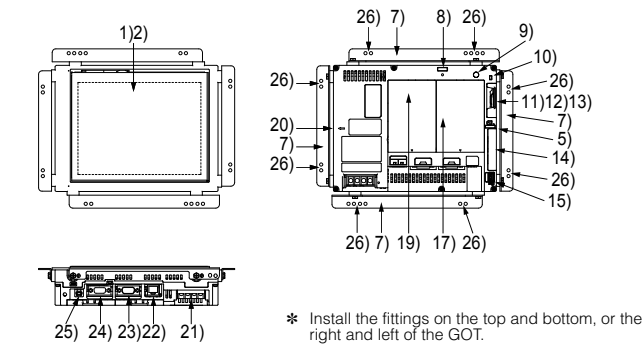
GT2508



GT2512F/GT2510F



GT2508F



- 1) Display section
- 2) Touch panel
- 3) USB interface (host/front face)
* Excluding white model, open frame model
- 4) USB interface (device/front face)
* Excluding white model, open frame model
- 5) POWER LED
- 6) Human sensor
* GT2715, GT2712 only
- 7) Unit installation fitting
- 8) Reset switch
- 9) S.MODE switch
- 10) SD memory card access LED
- 11) SD memory card interface (inside the cover)
- 12) SD memory card cover
- 13) Battery (inside the cover)
- 14) Side interface (inside the cover)
- 15) USB interface (host/rear face)
- 16) Cable clamp mounting hole
- 17) Terminating resistor setting switch (inside the cover)
- 18) Auxiliary extension interface
* GT27 only (excluding GT2705)
- 19) Extension interface
- 20) Vertical installation arrow mark
- 21) Power terminal
- 22) Ethernet interface/
Ethernet communication status LED
- 23) RS-232 interface
- 24) RS-422/485 interface
- 25) USB interface (device/rear face)
* White model, open frame model only
- 26) Fitting installation hole
* Open frame model only

Line-up

Features

Function list

Specifications/
External
dimensions

Product list

GOT2000
Series

GOT1000
Series

GOT SIMPLE
Series

MELSOFT
GT Works3

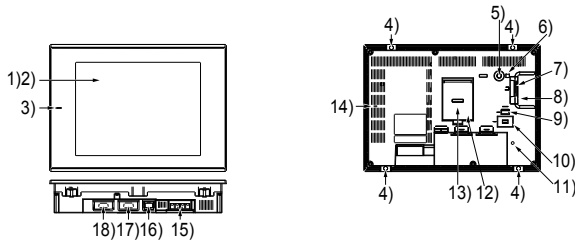
GOT2000/1000/
GOT SIMPLE
Series Product list

MC Works64

GT23

Components names

GT2310/GT2308

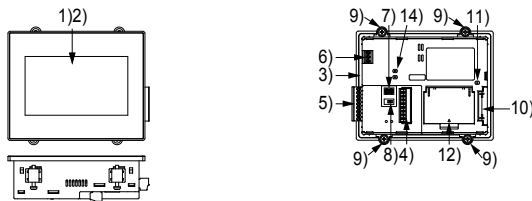


- 1) Display section
- 2) Touch panel
- 3) POWER LED
- 4) Unit installation fitting
- 5) S.MODE switch
- 6) SD memory card access LED
- 7) SD memory card interface (inside the cover)
- 8) SD memory card cover
- 9) USB interface (host)
- 10) USB interface (device)
- 11) Cable clamp mounting hole
- 12) Terminating resistor setting switch (inside the cover)
- 13) Battery (inside the cover)
- 14) Vertical installation arrow mark
- 15) Power terminal
- 16) Ethernet interface/
Ethernet communication status LED
- 17) RS-232 interface
- 18) RS-422/485 interface

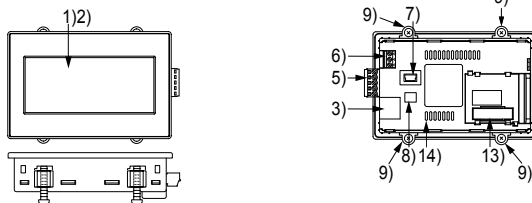
GT21

Components names

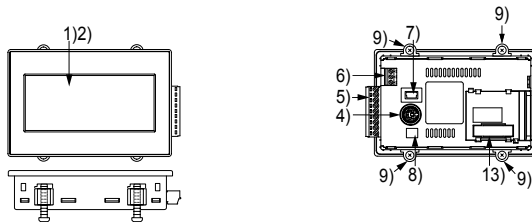
GT2104-RTBD



GT2103-PMBD



GT2103-PMBDS/GT2103-PMBDS2/GT2103-PMBLS



- 1) Display section
- 2) Touch panel
- 3) Ethernet interface
- 4) RS-232 interface
* Excluding GT2103-PMBLS
- 5) RS-422/485 interface
* RS-232 interface on GT2103-PMBDS2
* RS-422 interface on GT2103-PMBLS (dedicated to FX connection)
- 6) Power terminal
* Excluding GT2103-PMBLS
- 7) USB interface (device)
- 8) Terminating resistor setting switch
* Excluding GT2103-PMBDS2, GT2103-PMBLS
- 9) Unit installation fitting
- 10) SD memory card interface (inside the cover)
* Excluding GT2103
- 11) SD memory card access LED
- 12) Battery (inside the cover)
- 13) SD memory card unit connector (inside the cover)
* GT2103 only (excluding GT2103-PMBLS)
- 14) Ethernet communication status LED

GOT1000 Lineup

GT16

High performance models with multimedia and a host of features and functions including embedded communications

Multimedia

Video RGB

Network

Bus

Serial

15 inch



XGA **GT1695M-XTBA**
GT1695M-XTBD
Resolution: 1024x768
Display color: 65536 colors
Multimedia, video/RGB model

12.1 inch



SVGA **GT1685M-STBA**
GT1685M-STBD
Resolution: 800 x 600
Display color: 65536 colors
Multimedia, video/RGB model

10.4 inch



SVGA **GT1675M-STBA**
GT1675M-STBD
Resolution: 800 x 600
Display color: 65536 colors
Multimedia, video/RGB model

VGA **GT1675M-VTBA**
GT1675M-VTBD
Resolution: 640 x 480
Display color: 65536 colors
Multimedia, video/RGB model

GT1675-VNBA
GT1675-VNBD *

Resolution: 640 x 480
Display color: 4096 colors

GT1672-VNBA
GT1672-VNBD *

Resolution: 640 x 480
Display color: 16 colors

8.4 inch



SVGA **GT1665M-STBA**
GT1665M-STBD
Resolution: 800 x 600
Display color: 65536 colors
Multimedia, video/RGB model

VGA **GT1665M-VTBA**
GT1665M-VTBD
Resolution: 640 x 480
Display color: 65536 colors
Multimedia, video/RGB model

GT1662-VNBA
GT1662-VNBD *

Resolution: 640 x 480
Display color: 16 colors

5.7 inch



VGA **GT1655-VTBD** *

Resolution: 640 x 480
Display color: 65536 colors

6.5 inch Handy



VGA **GT1665HS-VTBD** *

Resolution: 640 x 480
Display color: 65536 colors

Line-up

Features

Function list

Specifications/
External
dimensions

Product list

GOT2000
Series

GOT1000
Series

GOT SIMPLE
Series

MELSOFT
GT Works3

GOT2000/1000/
GOT SIMPLE
Series Product list

MC Works64

GT14

Standard model with advanced features and communication interfaces

Network

Serial

5.7 inch



QVGA **GT1455-QTBDE** *

Resolution: 320 x 240
Display color: 65536 colors



QVGA **GT1450-QMBDE** *

Resolution: 320 x 240
Display color: 16 gray scales

GT10

Compact models with basic functions

Serial

5.7 inch



QVGA **GT1055-QSBD**
Resolution: 320 x 240
Display color: 256 colors



QVGA **GT1050-QBBD**
Resolution: 320 x 240
Display color:
Monochrome (blue/white)
16 gray scales

4.5 inch



GT1030-HBD **Black** RS-422 connection
GT1030-HBD2 **Black** RS-232 connection
GT1030-HBL **Black** RS-422 connection
GT1030-HWD **White** RS-422 connection
GT1030-HWD2 **White** RS-232 connection
GT1030-HWL **White** RS-422 connection
Resolution: 288 x 96
Display color: Monochrome (black/white)
(Tricolor LED (green/orange/red))



GT1030-HBDW **Black** RS-422 connection
GT1030-HBDW2 **Black** RS-232 connection
GT1030-HBLW **Black** RS-422 connection
GT1030-HWDW **White** RS-422 connection
GT1030-HWDW2 **White** RS-232 connection
GT1030-HWLW **White** RS-422 connection
Resolution: 288 x 96
Display color: Monochrome (black/white)
(Tricolor LED (white/pink/red))

*: The GOT16□□-VNBD□, GT1655-VTBD, GT1665HS-VTBD, GT145□, GT12□□-VNBD□ and GT1030 high contrast products (GT1030-H□□□□) are not supported by the screen design software GT Works2/GT Designer2.

■ Specifications GOT1000 GT16 model

● General specifications

Item	Specification							
Operating ambient temperature*1	Display 0°C to 50°C*5							
	Other than display 0°C to 55°C*5							
Storage ambient temperature	-20°C to 60°C							
Operating ambient humidity	10 to 90%RH, no condensation							
Storage ambient humidity	10 to 90%RH, no condensation							
Vibration resistance	Conforming to JIS B 3502 and IEC 61131-2							
	Frequency	5 to 8.4Hz	Acceleration	—	Half amplitude	3.5mm	Sweep count	10 times each in X, Y and Z directions
	Under intermittent vibration	8.4 to 150Hz	9.8m/s ²	—	—	—	—	
	Under continuous vibration	5 to 8.4Hz	—	1.75mm	—	—	—	
	8.4 to 150Hz	4.9m/s ²	—	—	—	—	—	
Impact resistance	Conforming to JIS B 3502 and IEC 61131-2 (147m/s ² , 3 times each in X, Y and Z directions)							
Operating atmosphere	No oily smoke, corrosive gas or combustible gas, less conductive dust, away from direct sunlight (the same in storage)							
Operating altitude*2	2000m or less							
Installation location	In control panel*6							
Overvoltage category*3	II or lower							
Contamination level*4	2 or less							
Cooling method	Self-cooling							
Grounding	Type D grounding (100Ω or less). Connect to panel if unable to ground.							

- *1 The maximum operating ambient temperature should be 5°C lower than that shown in the table on the left when connecting to a multimedia unit (GT16M-MMR), MELSECNET/H communication unit (GT15-J71LP23-25 or GT15-J71BR13) or CC-Link communication unit (GT15-J61BT13). Do not operate or store the GOT unit in pressurized environments where the pressure exceeds 0m elevation atmospheric pressure, as this could result in abnormal operation.
- *2 Do not pressurize inside the control panel for air purge cleaning. The pressure could raise the surface sheet, making the touch panel difficult to operate or causing the sheet to come off.
- *3 Assuming that the device is connected at some point between a public power distribution network and local system equipment. Category II applies to devices that are supplied with power from fixed equipment. The surge withstand voltage is 2,500V for devices with ratings up to 300V.
- *4 Index that indicates the level of foreign conductive matter in the operating environment of the device. Contamination level 2 denotes an environment contaminated only by non-conductive matter which may, under certain conditions, become temporarily conductive due to condensation.
- *5 0 to 40°C for GT1665HS
- *6 Excluding GT1665HS

Do not use or store the GOT under direct sun light or in an environment with excessively high temperature, dust, humidity or vibration.

For inquiries relating to products which conform to UL, cUL, and CE directives and shipping directives, please contact your local sales office.

● Performance specifications

Item	Specification							
	GT1695M-XTBA GT1695M-XTBD	GT1685M-STBA GT1685M-STBD	GT1675M-STBA GT1675M-STBD	GT1675M-VTBA GT1675M-VTBD	GT1675-VNBA GT1675-VNBD	GT1672-VNBA GT1672-VNBD	GT1665M-STBA GT1665M-STBD	
Display*1	Type	TFT color LCD (high-brightness, wide viewing angle)			TFT color LCD		TFT color LCD (high-brightness, wide viewing angle)	
	Screen size	15"	12.1"	10.4"		8.4"		
	Resolution	XGA: 1024 × 768 [dots]	SVGA: 800 × 600 [dots]	SVGA: 800 × 600 [dots]	VGA: 640 × 480 [dots]		SVGA: 800 × 600 [dots]	
	Display size	304.1(W) × 228.1(H)[mm]	246(W) × 184.5(H)[mm]	211(W) × 158(H)[mm]		171(W) × 128(H)[mm]		
	No. of displayed characters	16-dot standard font: 64 chars. × 48 lines (2-byte) 12-dot standard font: 85 chars. × 64 lines (2-byte)	16-dot standard font: 50 chars. × 37 lines (2-byte) 12-dot standard font: 66 chars. × 50 lines (2-byte)		16-dot standard font: 40 chars. × 30 lines (2-byte) 12-dot standard font: 53 chars. × 40 lines (2-byte)		16-dot standard font: 50 chars. × 37 lines (2-byte) 12-dot standard font: 66 chars. × 50 lines (2-byte)	
	Display colors	65,536 colors			4,096 colors	16 colors	65,536 colors	
	View angle*2	Right/left: 75°, Up: 50°, Down: 60°	Right/left: 80°, Up: 60°, Down: 80°	Right/left/up/down: 88°	Right/left: 80°, Up: 80°, Down: 60°*14	Right/left: 45°, Up: 30°, Down: 20°		Right/left: 80°, Up: 80°, Down: 60°
	Intensity	450 [cd/m ²]	470 [cd/m ²]	400 [cd/m ²]	500 [cd/m ²]*15	200 [cd/m ²]	400 [cd/m ²]	
	Intensity adjustment	8-step adjustment			4-step adjustment	8-step adjustment		
	Life	Approx. 52,000 hours (operating ambient temperature: 25°C)		Approx. 43,000 hours (operating ambient temperature: 25°C)		Approx. 52,000 hours (operating ambient temperature: 25°C)		Approx. 43,000 hours (operating ambient temperature: 25°C)
Backlight	Cold-cathode fluorescent tube (replaceable), with backlight OFF detection function. Backlight off time and screen save time can be set.							
	Life*3	Approx. 50,000 hours or more (Time for display intensity reaches 50% at operating ambient temperature of 25°C)						
Touch panel*10	Type	Analog resistive type						
	Key size	Min. 2 × 2 [dots] (per key)						
	No. of simultaneous touch points	Simultaneous touch prohibited*4 (If two or more points are pressed simultaneously, the switch may function near the center of the pressed points.)						
Human sensor	Life*11	1,000,000 times or more (operating force 0.98N or less)						
	Detection distance	1 [m]		—		—		
	Detection range	Right/left/up/down: 70°		—		—		
	Detection delay time	0 to 4 [sec]		—		—		
Memory*5	C drive	15MB built-in flash memory (for saving project data and OS)			11MB built-in flash memory (for saving project data and OS)		15MB built-in flash memory (for saving project data and OS)	
	Life (No. of writings)	100,000 times						
Internal clock accuracy	3.47 to 8.38 secs/day (operating ambient temperature: 25°C)*12							
Battery	GT15-BAT type lithium battery							
	Backed up data	Clock data, maintenance time notification data, system log data and SRAM user area (500KB)						
Built-in interface	Life	Approx. 5 years (operating ambient temperature: 25°C)						
	RS-232*7	RS-232, 1ch Transmission speed: 115200/57600/38400/19200/9600/4800bps Connector shape: D-sub 9-pin (male) Application: Communication with connected devices, connection to personal computer (project data read/write, OS installation, FA transparent function)						
	RS-422/485	RS-422/485, 1ch Transmission speed: 115200/57600/38400/19200/9600/4800bps Connector shape: 14-pin (female) Application: Communication with connected devices						
	Ethernet	Data transfer system: 100BASE-TX, 10BASE-T, 1ch*8 Connector shape: RJ-45 (modular jack) Application: Communication with connected devices, gateway function, connection to personal computer (project data read/write, OS installation, FA transparent function, MES interface function)						
Optional function board	USB	USB (full-speed 12Mbps), host 1ch Connector shape: TYPE-A Application: USB mouse/keyboard connection, USB memory data transfer and storage FAT16 format: max. 2GB, FAT32 format: max. 32GB*13					USB (full-speed 12Mbps), device 1ch Connector shape: Mini-B Application: Connection to personal computer (project data read/write, OS installation, FA transparent function)	
		Compact flash slot, 1ch Connector shape: TYPE I Application: Data transfer, data storage, GOT startup FAT16 format: max. 2GB, FAT32 format: max. 32GB*13						
	CF card	1ch for optional function board installation						
Extension unit*7	2ch for communication unit/optional unit installation							
Buzzer output	Single tone (tone length adjustable)							
Protective construction	Front: IP67*6 In panel: IP2X							
External dimensions	397(W) × 296(H) × 61(D)[mm]	316(W) × 242(H) × 52(D)[mm]	303(W) × 214(H) × 49(D)[mm]			241(W) × 190(H) × 52(D)[mm]		
Panel cut dimensions	383.5(W) × 282.5(H)[mm]	302(W) × 228(H)[mm]	289(W) × 200(H)[mm]			227(W) × 176(H)[mm]		
Weight (excl. mounting brackets)	5.0[kg]	2.7[kg]	2.1[kg]	2.3[kg]*16	2.3[kg]	1.7[kg]	1.7[kg]	
Applicable software packages	GT Works3 Version1.136S or later			GT Works3 Version1.136S or later (not supported by GT Works2/GT Designer2)		GT Works3 Version1.136S or later		

Line-up

Features

Function list

Specifications/
External dimensions

Product list

GOT2000 Series

GOT1000 Series

GOT SIMPLE Series

MELSOFT GT Works3

GOT2000/1000/
GOT SIMPLE Series Product list

MC Works64

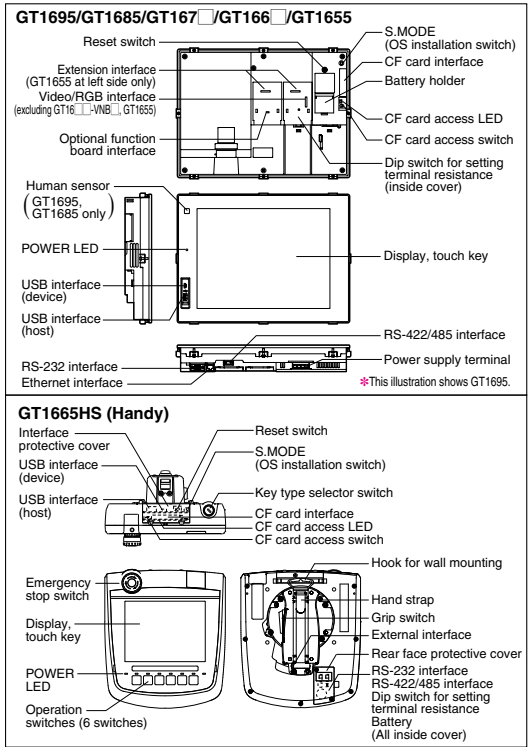
● Power supply specifications

Item	Specification							
	GT1695M-XTBA	GT1685M-STBA	GT1675M-STBA GT1675M-VTBA GT1675-VNBA GT1672-VNBA GT1665M-STBA GT1665M-VTBA GT1662-VNBA	GT1695M-XTBD	GT1685M-STBD	GT1675M-STBD GT1675M-VTBD GT1675-VNBD GT1672-VNBD GT1665M-STBD GT1665M-VTBD GT1662-VNBD	GT1655-VTBD	GT1665HS-VTBD
Input power supply voltage	100 to 240VAC (+10%, -15%)			24VDC (+25%, -20%)			24VDC (+10%, -15%)	
Input frequency	50/60Hz ±5%			-				
Input maximum apparent power	150VA (at max. load)	110VA (at max. load)	100VA (at max. load)	-				
Power consumption	64W or less	46W or less	39W or less	60W or less	40W or less	38W or less	16W or less	11.6W or less
With backlight off	38W or less	32W or less	30W or less	30W or less	26W or less	27W or less	14W or less	8.2W or less
Inrush current	28A or less (4ms, at max. load)			12A or less (75ms, at max. load)	12A or less (55ms, at max. load)		67A or less (1ms, at max. load)	30A or less (2ms, at max. load)
Permissible instantaneous failure time	Within 20ms (100VAC or more)			Within 10ms			Within 5ms	
Noise resistance	Noise voltage 1500Vp-p, noise width 1μs by noise simulator with noise frequency 25 to 60Hz			Noise voltage 500Vp-p, noise width 1μs by noise simulator with noise frequency 25 to 60Hz				
Withstand voltage	1500VAC for 1 minute between power supply terminal and ground			500VDC for 1 minute between power supply terminal and ground				
Insulation resistance	10MΩ or higher with an insulation resistance tester (500VDC between power supply terminal and ground)							
Applicable wire size	0.75 to 2 [mm ²]							
Clamp terminal	Clamp terminals for M3 screw RAV1.25-3, V2-S3.3, V2-N3A, FV2-N3A							
Tightening torque (terminal block's terminal screws)	0.5 to 0.8 [N·m]							

● Performance specifications

Item	Specification				
	GT1665M-VTBA GT1665M-VTBD	GT1662-VNBA GT1662-VNBD	GT1655-VTBD	GT1665HS-VTBD	
Display	Type	TFT color LCD (high-brightness, wide viewing angle)	TFT color LCD	TFT color LCD (high-brightness, wide viewing angle)	
	Screen size	8.4"	5.7"	6.5"	
	Resolution	VGA: 640 × 480 [dots]			
	Display size	171(W) × 128(H)[mm]	115(W) × 86(H)[mm]	132.5(W) × 99.4(H)[mm]	
	No. of displayed characters	16-dot standard font: 40 chars. × 30 lines (2-byte) 12-dot standard font: 53 chars. × 40 lines (2-byte)			
	Display colors	65,536 colors	16 colors	65,536 colors	
	View angle*2	Right/left: 80°, Up: 80°, Down: 60°	Right/left: 45°, Up/Down: 20°	Up/down/right/left: 80°	Right/left: 80°, Up: 60°, Down: 80°
	Intensity	600 [cd/m ²]	200 [cd/m ²]	350 [cd/m ²]	550 [cd/m ²]
	Intensity adjustment	8-step adjustment	4-step adjustment	8-step adjustment	
	Life	Approx. 43,000 hours (operating ambient temperature: 25°C)	Approx. 52,000 hours (operating ambient temperature: 25°C)	Approx. 50,000 hours (operating ambient temperature: 25°C)	Approx. 41,000 hours (operating ambient temperature: 25°C)
Backlight	Cold-cathode fluorescent tube (replaceable), with backlight OFF detection function. Backlight off time and screen save time can be set.				
	LED (not replaceable), with backlight OFF detection function. Backlight off and screen save time can be set.		-		
Life*3	Approx. 50,000 hours or more		Approx. 40,000 hours or more	Approx. 70,000 hours or more	
	(Time for display intensity reaches 50% at operating ambient temperature of 25°C)				
	-				
Touch panel	Type	Analog resistive type			
	Key size	Min. 2 × 2 [dots] (per key)			
	No. of simultaneous touch points	Simultaneous touch prohibited*4 (If two or more points are pressed simultaneously, the switch may function near the center of the pressed points.)			
Human sensor	Life*11	1,000,000 times or more (operating force 0.98N or less)			
	Detection distance	-			
	Detection range	-			
Memory	C drive	15MB built-in flash memory (for saving project data and OS)	11MB built-in flash memory (for saving project data and OS)	15MB built-in flash memory (for saving project data and OS)	
	Life (No. of writings)	100,000 times			
	Internal clock accuracy	3.47 to 8.38 secs/day (operating ambient temperature: 25°C)*12	-3.61 to 2.16 secs/day (operating ambient temperature: 25°C)*12	3.47 to 8.38 secs/day (operating ambient temperature: 25°C)*12	
Battery	Backed up data	Clock data, maintenance time notification data, system log data and SRAM user area (500KB)			
	Life	Approx. 5 years (operating ambient temperature: 25°C)			
RS-232*7	Transmission speed:	RS-232, 1ch 115200/57600/38400/19200/9600/4800bps		RS-232, RS-422/485, 1ch, each (When using, select one of the channels). Transmission speed: 115200/57600/38400/19200/9600/4800bps	
	Connector shape:	D-sub 9-pin (male)		Square, 42-pin (male)	
RS-422/485	Transmission speed:	RS-422/485, 1ch 115200/57600/38400/19200/9600/4800bps		Application: Communication with connected devices	
	Connector shape:	14-pin (female)			
Ethernet	Data transfer system:	100BASE-TX, 10BASE-T, 1ch Connector shape: RJ-45 (modular jack)			
	Application:	Communication with connected devices, gateway function, connection to personal computer (project data read/write, OS installation, FA transparent function, MES interface function)			
USB	USB (full-speed 12Mbps), host 1ch	Connector shape: TYPE-A Application: USB mouse/keyboard connection, USB memory data transfer			
	USB (full-speed 12Mbps), device 1ch	Connector shape: Mini-B Application: Connection to personal computer (project data read/write, OS installation, FA transparent function)			
CF card	Compact flash slot, 1ch	Connector shape: TYPE I Application: Data transfer, data storage, GOT start FAT16 format: max. 2GB, FAT32 format: max. 32GB*13			
	Optional function board	1ch for optional function board installation			
Extension unit*7	2ch for communication unit/optional unit installation	1ch for communication unit/optional unit installation			
	Buzzer output	Single tone (tone length adjustable)			
Protective construction	Front: IP67*8	In panel: IP2X		IP65*9 (when external connection cable is connected)	
	External dimensions	241(W) × 190(H) × 52(D)[mm]	267(W) × 135(H) × 60(D)[mm]	201(W) × 230(H) × 97(D)[mm]	
Weight (excl. mounting brackets)	227(W) × 176(H)[mm]	153(W) × 121(H)[mm]		1.2[kg] (main unit only)	
	Applicable software packages	GT Works3 Version1.136S or later	GT Works3 Version1.136S or later (not supported by GT Works2/GT Designer2)		

Components description



- *1 On LCD panels, bright dots (permanently lit) and black dots (never lit) generally appear. Because the number of display elements that exist on an LCD panel is large, it is not possible to reduce appearance of the bright and black dots to zero. Individual differences in LCD panels may cause differences in color, uneven brightness and flickering.
- *2 Note that this is a characteristic of LCD panels and it does not mean the products are defective or damaged. LCD panels have characteristics of tone reversal. Note that even within the indicated viewing angles, the screen display may not be clear enough depending on the display color.
- *3 Using the GOT screen save/backlight OFF functions prevents screen burn-in and extends backlight life.
- *4 An analog resistive touch display is used. When 2 points on the screen are touched simultaneously, if a switch is located the middle of the 2 points then the switch will be activated. Therefore, avoid touching 2 points on the screen simultaneously.
- *5 The memory is ROM that permits overwriting of new data without having to delete the existing data.
- *6 With the USB environmentally protective cover is on, pressing firmly the portion marked "L" makes it conform to IP67. (The USB interface conforms to IP2X when a USB cable or a USB memory is connected.) However, this does not guarantee protection in all users' environments. The unit may not be used in an environment where it is exposed to splashing oil or chemicals for a long time or it is soaked with oil mist.
- *7 Where more than one extension unit, barcode reader, and RFID controller are used, the sum of their current consumptions should be within the current level which the GOT can supply. For the currents which the extension units, barcode reader, and RFID controller consume and the current level which the GOT can supply, see "Notes for user" (GOT1000 Series Catalog).
- *8 The function version A of GT1695/GT1685 is not compatible with 10BASE-T.
- *9 The degree of protection is not guaranteed under all users' environmental conditions. If the interface protective cover or the rear face protective cover is removed, the specification does not apply.
- *10 If necessary, use a stylus pen meeting the following specifications.
 - Material: Polyacetal resin
 - Pen point radius: 0.8mm or more (The stylus pen cannot be used with the GT1665HS.)
- *11 When using a stylus pen, it will be 100,000 times or more (operating force 0.98N max.). Since the touch panel is a consumable product structurally, it may not be used even fewer than above, depending on the usage method and environment.
- *12 If the operating ambient temperature is other than 25°C, operation errors may increase.
- *13 USB memory and CF cards that can store more than 2GB are available for the GT16 with the following versions of OSs installed.
 - Boot OS version: 05.09.00AF or later
 - Standard monitor OS version: 05.09.00 or later
 With OSs earlier than the above versions, the GOT cannot correctly recognize the USB memory and the CF card that store more than 2GB.
 - *14 If the above versions of OSs are not installed, install the OSs on the GOT by using GT Designer3 with version 1.177 or later. GT Designer2 version 1.177 is not compatible with USB memory and CF cards that can store more than 2GB.
 - *15 88° in each direction for function version C or earlier.
 - *16 450 [cd/m²] for function version C or earlier.
 - *17 2.1 [kg] for function version C or earlier.

Line-up

Features

Function list

Specifications/
External
dimensions

Product list

GOT2000
Series

GOT1000
Series

GOT SIMPLE
Series

MELSOFT
GT Works3

GOT2000/1000/
GOT SIMPLE
Series Product list

MC Works4

Specifications GOT1000 GT14 model

General specifications

Item	Specification	
Operating ambient temperature	0°C to 50°C	
Other than display	0°C to 55°C (horizontal installation), 0°C to 50°C (vertical installation)	
Storage ambient temperature	-20°C to 60°C	
Operating ambient humidity*1	10 to 90%RH, no condensation	
Storage ambient humidity*1	10 to 90%RH, no condensation	
Vibration resistance	Conforming to JIS B 3502 and IEC 61131-2	
	Under intermittent vibration	Frequency: 5 to 8.4Hz, Acceleration: 9.8m/s ² , Half amplitude: 3.5mm, Sweep count: 10 times each in X, Y and Z directions
	Under continuous vibration	Frequency: 5 to 8.4Hz, Acceleration: 4.9m/s ² , Half amplitude: 1.75mm, Sweep count: -
	Frequency: 8.4 to 150Hz	Acceleration: 9.8m/s ² , Half amplitude: 3.5mm, Sweep count: 10 times each in X, Y and Z directions
Impact resistance	Conforming to JIS B 3502 and IEC 61131-2 (147m/s ² , 3 times each in X, Y and Z directions)	
Operating atmosphere	Free from oil mist, corrosive gases, flammable gases and excessive conductive dusts or direct sun beams (The same applies to unit storage.)	
Operating altitude*2	2000m or less	
Installation location	In control panel	
Overvoltage category*3	II or lower	
Contamination level*4	2 or less	
Cooling method	Self-cooling	
Grounding	Type D grounding (100Ω or less). Connect to panel if unable to ground.	

- *1 Water bulb temperature for STN display type must be 39°C or lower.
- *2 Do not operate or store the GOT unit in pressurized environments where the pressure exceeds 0m elevation atmospheric pressure, as this could result in abnormal operation. Do not pressurize inside the control panel for air purge cleaning. The pressure could raise the surface sheet, making the touch panel difficult to operate or causing the sheet to come off.
- *3 Assuming that the device is connected at some point between a public power distribution network and local system equipment. Category II applies to devices that are supplied with power from fixed equipment. The surge withstand voltage is 2500V for devices with ratings up to 300V.
- *4 Index that indicates the level of foreign conductive matter in the operating environment of the device. Contamination level 2 denotes contamination by non-conductive matter only, though momentary conductivity may occur due to occasional condensation.

Do not use or store the GOT under direct sun light or in an environment with excessively high temperature, dust, humidity or vibration.

For inquiries relating to products which conform to UL, cUL, and CE directives and shipping directives, please contact your local sales office.

Performance specifications

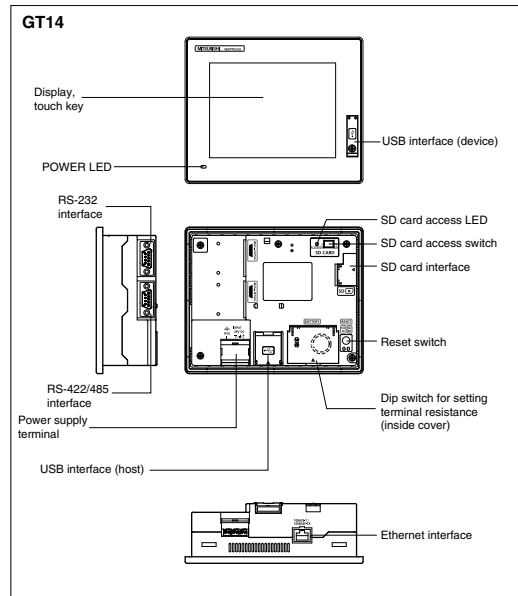
Item	Specification	
	GT1455-QTBDE	
Display	Type	TFT color LCD
	Screen size	5.7"
	Resolution	QVGA: 320 x 240 [dots]
	Display size	115(W) x 86(H) [mm] (in horizontal display mode)
	No. of displayed characters	16-dot standard font: 20 chars. x 15 lines (2-byte) (in horizontal display mode) 12-dot standard font: 26 chars. x 20 lines (2-byte) (in horizontal display mode)
	Display colors	65536 colors
	View angle *2	Right/left: 80°, Up: 80°, Down: 60°
		(in horizontal display mode)
	Contrast adjustment	-
	Intensity	400 [cd/m ²]
Intensity adjustment	8-step adjustment	
Life	Approx. 50,000 hours	
	(Time for display contrast reaches 20% at operating ambient temperature of 25°C) LED (not replaceable) with backlight OFF detection function. Backlight off time and screen save time can be set.	
Backlight	Life *3	Approx. 75,000 hours or more (Time for display intensity reaches 50% at operating ambient temperature of 25°C)
	Type	Analog resistive type
Touch panel	Key size	Min. 2 x 2 [dots] (per key)
	No. of simultaneous touch points	Simultaneous touch prohibited *4 (If two or more points are pressed simultaneously, the switch may function near the center of the pressed point.)
	Life	1,000,000 times or more (operating force 0.98N or less)
Memory	C drive *5	9MB built-in flash memory (for saving project data and OS)
	Life (No. of writings)	100,000 times
	D drive	512KB built-in SRAM (for battery backup)
Battery	Backed up data	GT11-50BAT type lithium battery
	Life	Clock data, alarm history, recipe data, time action set values, advanced alarm, advanced recipe, logging, hardcopy, SRAM user area Approx. 5 years (operating ambient temperature: 25°C)
Built-in interface	RS-422/485	RS-422/485, 1ch Transmission speed: 115200/57600/38400/19200/9600/4800bps Connector shape: D-sub 9-pin (female) Application: Communication with connected devices Terminal resistance *6: OPEN/110Ω/330Ω (switching by terminal resistance transfer switch)
	RS-232	RS-232, 1ch Transmission speed: 115200/57600/38400/19200/9600/4800bps Connector shape: D-sub 9-pin (male) Application: Communication with connected devices, connection to barcode reader/RFID, connection to personal computer (project data read/write, OS installation, FA transparent function) Data transfer system: 100BASE-TX, 10BASE-T, 1ch Connector shape: RJ-45 (modular jack)
	Ethernet	Application: Communication with connected devices, gateway function, connection to personal computer (project data read/write, OS installation, FA transparent function)
	USB	USB (full-speed 12Mbps), host 1ch Connector shape: TYPE-A Application: USB mouse/keyboard connection, USB memory data transfer and storage FAT16 format: max. 2GB, FAT32 format: max. 32GB USB (full-speed 12Mbps), device 1ch Connector shape: Mini-B Application: Connection to personal computer (project data read/write, OS installation, FA transparent function)
	SD card	Complied with SD standard, 1ch. Supported memory card: SDHC memory card, SD memory card Application: project data read/write, OS installation, logging data storage FAT16 format: max. 2GB, FAT32 format: max. 32GB
Buzzer output	Single tone (tone length adjustable)	
Protective construction	Front: IP67i *7	
External dimensions	164(W) x 135(H) x 55(D) [mm]	
Panel cut dimensions	153(W) x 121(H) [mm]	
Weight (excl. mounting brackets)	0.7kg	
Applicable software packages	GT Works3 Version1.136S or later (not supported by GT Works2/GT Designer2)	

- *1 On LCD panels, bright dots (permanently lit) and black dots (never lit) generally appear. Because the number of display elements that exist on an LCD panel is large, it is not possible to reduce appearance of the bright and black dots to zero. Flickering may occur depending on the display colors. Note that the existence of bright and black dots is a standard characteristic of LCD panels, and it does not mean that the products are defective or damaged. Displaying one single screen for a long time can lead to burn-in, causing afterimages or image irregularities that could not disappear. Use the screen saver that is effective to prevent burn-in.
- *2 LCD panels have characteristics of tone reversal. Note that even within the indicated view angles, the screen display may not be clear enough depending on the display color.
- *3 Using the GOT screen save/backlight OFF functions prevents screen burn-in and extends the backlight life.
- *4 An analog resistive touch display is used. When 2 points on the screen are touched simultaneously, if a switch is located the middle of the 2 points then the switch will be activated. Therefore, avoid touching 2 points on the screen simultaneously.
- *5 The memory is ROM that permits overwriting of new data without having to delete the existing data.
- *6 In the case of GOT multi-drop connection, set the terminal resistance transfer switch on the GOT main unit according to the connection configuration.
- *7 This does not guarantee protection in all users' environments. The specification is not applied when the interface protective cover and rear face protective cover are removed. The unit may not be used in an environment where it is exposed to splashing oil or chemicals for a long time or soaked with oil mist.

Power supply specifications

Item	GT1455-QTBDE
Input power supply voltage	24VDC (+10%, -15%), ripple voltage of 200mV or less
Input frequency	-
Input maximum apparent power	-
Fuse (built-in, not replaceable)	1.6A
Power consumption	8.40W or less
	(350mA/24VDC)
With backlight off	7.44W or less (310mA/24VDC)
Inrush current	30A or less (2ms, at max. load)
Permissible instantaneous failure time	Within 5ms
Noise resistance	Noise voltage 1000Vp-p, noise width 1μs by noise simulator with noise frequency 30 to 100Hz
Withstand voltage	500VAC for 1 minute between power supply terminal and ground
Insulation resistance	10MΩ or higher with an insulation resistance tester (500VDC between power supply terminal and ground)
Applicable wire size	0.75 to 2 [mm ²]
Clamp terminal	Clamp terminals for M3 screw RAV1.25-3, V2-N3A, FV2-N3A
Tightening torque (terminal block's terminal screws)	0.5 to 0.8 [N·m]

Components description



Line-up

Features

Function list

Specifications/
External
dimensions

Product list

GOT2000
Series

GOT1000
Series

GOT SIMPLE
Series

ME/SOFT
GT Works3

GOT2000/1000/
GOT SIMPLE
Series Product list

MC Works64

Specifications GOT1000 GT10 model

Power supply specifications

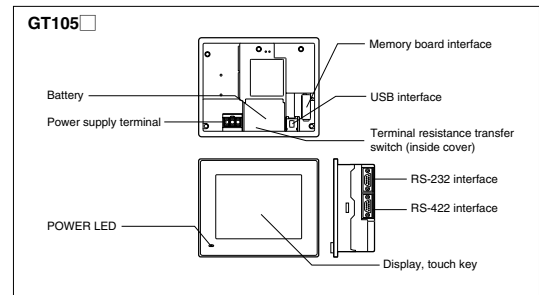
Item	Specification	
	GT1055-QSBD	GT1050-QBBD
Input power supply voltage	24VDC (+10%, -15%), ripple voltage of 200mV or less	
Input frequency	-	
Input maximum apparent power	-	
Power consumption	9.84W or less (410mA/24VDC)	9.36W or less (390mA/24VDC)
With backlight off	4.32W or less (180mA/24VDC)	
Inrush current	15A or less (26.4V) 2ms	
Permissible instantaneous failure time	Within 5ms	
Noise resistance	Noise voltage 1000Vp-p, noise width 1μs by noise simulator with noise frequency 30 to 100Hz	
Withstand voltage	500VAC for 1 minute between power supply terminal and ground	
Insulation resistance	10MΩ or higher with an insulation resistance tester (500VDC between power supply terminal and ground)	
Applicable wire size	0.75 to 2 [mm ²]	
Clamp terminal	Clamp terminals for M3 screw RAV1.25-3, V2-N3A, FV2-N3A	
Tightening torque (terminal block's terminal screws)	0.5 to 0.8 [N·m]	

Performance specifications

Item	Specification	
	GT1055-QSBD	GT1050-QBBD
Type	STN color LCD	STN monochrome (blue/white) LCD
Screen size	5.7"	
Resolution	QVGA: 320 × 240 [dots]	
Display size	115(W) × 86(H) [mm] (in horizontal display mode)	
No. of displayed characters	16-dot standard font: 20 chars. × 15 lines (2-byte), 12-dot standard font: 26 chars. × 20 lines (2-byte) (in horizontal display mode)	
Display colors	256 colors	Monochrome (blue/white) 16 gray scale
View angle	Right/left: 55°, Up: 65°, Down: 70° (in horizontal display mode)	Right/left: 45°, Up: 20°, Down: 40° (in horizontal display mode)
Contrast adjustment	16-step adjustment	
Intensity	380 [cd/m ²]	260 [cd/m ²]
Life	Approx. 50,000 hours (Time for display contrast reaches 20% at operating ambient temperature of 25°C)	
Backlight	Cold-cathode fluorescent tube (not replaceable) with backlight OFF detection function. Backlight off time and screen save time can be set.	
Life*	Approx. 75,000 hours or more (Time for display intensity reaches 50% at operating ambient temperature of 25°C)	Approx. 54,000 hours or more (Time for display intensity reaches 50% at operating ambient temperature of 25°C)
Type	Matrix resistive type	
No. of touch keys	Max. 50 keys/screen	
Key size	Min. 16 × 16 [dots] (per key)	
No. of simultaneous touch points	Max. 2 points	
Life	1,000,000 times or more (operating force 0.98N or less)	
User memory**	Built-in flash memory for saving project data (3 MB or less) and OS	
Life (No. of writings)	100,000 times	
Battery	GT11-50BAT type lithium battery	
Backed up data	Clock data, alarm history, recipe data, time action set values	
Life	Replacement guideline approx. 5 years (operating ambient temperature: 25°C)	
RS-422/485	RS-422/485, 1ch Transmission speed: 115200/57600/38400/19200/9600/4800bps Connector shape: D-sub 9-pin (female) Application: Communication with PLCs Terminal resistance**5: OPEN/110Ω/330Ω (switched by terminal resistance transfer switch)	
RS-232	RS-232, 1ch Transmission speed: 115200/57600/38400/19200/9600/4800bps Connector shape: D-sub 9-pin (male) Application: Communication with PLCs, connection with barcode readers, communication with personal computers (project data read/write, OS installation, transparent function)	
USB	USB (full-speed 12Mbps), device 1ch Connector shape: Mini-B Application: Communication with personal computer (project data read/write, OS installation, transparent function)	
Memory board	For installing memory board (GT10-50FMB) 1ch	
Buzzer output	Single tone (tone length adjustable/none)	
Protective construction**4	Conforming to IP67f (front panel)	
External dimensions	164(W) × 135(H) × 56(D)[mm]	
Panel cut dimensions	153(W) × 121(H)[mm]	
Weight (excl. mounting brackets)	0.7[kg]	
Applicable software package	GT Works3 Version1.136S or later	

- *1 On LCD panels, bright dots (permanently lit) and black dots (never lit) generally appear. Because the number of display elements that exist on an LCD panel is large, it is not possible to reduce appearance of the bright and black dots to zero. Flickering may occur depending on the display colors. Note that the existence of bright and black dots is a standard characteristic of LCD panels, and it does not mean that the products are defective or damaged. Displaying one single screen for a long time can lead to burn-in, causing afterimages or image irregularities that could not disappear. Use the screen saver that is effective to prevent burn-in.
- *2 Using the GOT screen save/backlight OFF functions prevents screen burn-in and extends the backlight life.
- *3 The memory is ROM that permits overwriting of new data without having to delete the existing data.
- *4 This does not guarantee protection in all users' environments. The specification is not applied when the interface protective cover and rear face protective cover are removed. The unit may not be used in an environment where it is exposed to splashing oil or chemicals for a long time or it is soaked with oil mist.
- *5 In the case of GOT multi-drop connection, set the terminal resistance transfer switch on the GOT main unit according to the connection configuration.

Components description



Line-up

Features

Function list

Specifications/
External
dimensions

Product list

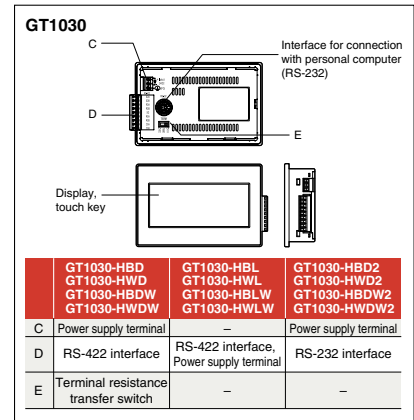
GOT2000
SeriesGOT1000
SeriesGOT SIMPLE
SeriesMELSOFT
GT Works3GOT2000/1000/
GOT SIMPLE
Series Product list

MC Works64

● Power supply specifications

Item	Specification			
	GT1030-HBD GT1030-HWD GT1030-HBD2 GT1030-HWD2	GT1030-HBDW GT1030-HWDW GT1030-HBDW2 GT1030-HWDW2	GT1030-HBL GT1030-HWL GT1030-HBLW GT1030-HWLW	GT1020-LBL GT1020-LWL GT1020-LBLW GT1020-LWLW
Input power supply voltage	24VDC (+10%, -15%), ripple voltage of 200mV or less		5VDC (±5%), supplied from PLC communication cable	
Input frequency	-			
Input maximum apparent power	-			
Power consumption	2.2W or less (90mA/24VDC)		1.1W or less (220mA/5VDC)	
With backlight off	1.7W or less (70mA/24VDC)		0.6W or less (120mA/5VDC)	
Inrush current	18A or less (26.4DCV) 1ms		-	
Permissible instantaneous failure time	Within 5ms			
Noise resistance	Noise voltage 1000Vp-p, noise width 1μs by noise simulator with noise frequency 30 to 100Hz			
Withstand voltage	500VAC for 1 minute between power supply terminal and ground		-	
Insulation resistance	10MΩ or higher with an insulation resistance tester (500VDC between power supply terminal and ground)		-	
Applicable wire size	Single-wire installation	0.14 to 1.5mm ² , AWG26 to AWG16 (single wire), 0.14 to 1.0mm ² , AWG26 to AWG16 (stranded wire), 0.25 to 0.5mm ² , AWG24 to AWG20 (bar terminal with insulation sleeve)		
	Two-wire installation	0.14 to 0.5mm ² , AWG26 to AWG20 (single wire), 0.14 to 0.2mm ² , AWG26 to AWG24 (stranded wire)		
Clamp terminal	AI2.5-6BU, AI0.34-6TQ, AI0.5-6WH (made by Phoenix Contact)			
Tightening torque (terminal block's terminal screws)	0.22 to 0.25 [N·m]			
Do not use or store the GOT under direct sun light or in an environment with excessively high temperature, dust, humidity or vibration.		For inquiries relating to products which conform to UL, cUL, and CE directives and shipping directives, please contact your local sales office.		

Components description



● Performance specifications

Item	Specification				
	GT1030-HBD GT1030-HWD GT1030-HBL GT1030-HWL	GT1030-HBDW GT1030-HWDW GT1030-HBLW GT1030-HWLW	GT1030-HBD2 GT1030-HWD2	GT1030-HBDW2 GT1030-HWDW2	
Display*	Type	STN monochrome (black/white) LCD			
	Screen size	4.5"			
	Resolution	288 × 96 [dots] (in horizontal mode)			
	Display size	109.42(W) × 35.98(H)[mm](in horizontal mode)			
	No. of displayed characters	16-dot standard font: 36 chars. × 6 lines (1-byte) or 18 chars. × 6 lines (2-byte) (in horizontal mode) 12-dot standard font: 48 chars. × 8 lines (1-byte) or 24 chars. × 8 lines (2-byte) (in horizontal mode)			
	Display colors	Monochrome (black/white)			
	View angle	Right/left: 30°, Up: 20°, Down: 30°(in horizontal display mode)			
	Contrast adjustment	16-step adjustment			
	Intensity	200 [cd/m ²] (in green)	500 [cd/m ²] (in white)	200 [cd/m ²] (in green)	500 [cd/m ²] (in white)
	Intensity adjustment	8-step adjustment			
Life	Approx. 50,000 hours (Time for display contrast reaches 20% at operating ambient temperature of 25°C)				
Backlight	Color	3-color LED (green, orange and red) (no need to replace)	3-color LED (white, pink and red) (no need to replace)	3-color LED (green, orange and red) (no need to replace)	
	Function	Status control (color, on/flashing/off) is available and screen save time setting can be set. PLC can control color and status of backlight based on system information.			
Touch panel	Type	Matrix resistive type			
	No. of touch keys	Max. 50 keys/screen			
	Key size	Min. 16 × 16 [dots] (per key)			
	No. of simultaneous touch points	Max. 2 points			
Memory	User memory**	Built-in flash memory for saving project data (1.5MB or less) and OS			
	Life (No. of writings)	100,000 times			
Battery	Backed up data	GT11-50BAT type lithium battery Clock data, alarm history, recipe data, time action set values			
	Life	Replacement guideline approx. 5 years (operating ambient temperature: 25°C)			
Built-in interface	For communication with PLC	GT1030-HBD/HWD, GT1030-HBDW/HWDW RS-422/485, 1ch Transmission speed: 115200/57600/38400/19200/9600/4800bps Connector shape: Connector terminal block, 9-pin Application: Communication with PLC Terminal resistance*3: OPEN/110Ω/330Ω (switched by terminal resistance transfer switch)		RS-232, 1ch Transmission speed: 115200/57600/38400/19200/9600/4800bps Connector shape: Connector terminal block, 9-pin Application: Communication with PLC	
	For communication with personal computer	RS-232, 1ch Transmission speed: 115200/57600/38400/19200/9600/4800bps Connector shape: Mini DIN 6-pin (female) Application: Communication with personal computer (project data read/write, OS installation, transparent function)			
Buzzer output	Single tone (tone length adjustable/none)				
Protective construction**4	Conforming to IP67† (front panel)				
External dimensions	145(W) × 76(H) × 29.5(D)[mm]				
Panel cut dimensions	137(W) × 66(H)[mm]				
Weight	GT1030-H□□D(W): 0.3kg (excl. mounting brackets)		0.3kg (excl. mounting brackets)		
	GT1030-H□□L(W): 0.28kg (excl. mounting brackets)				
Applicable software packages	GT Works3 Version1.54G or later (not supported GT Works2/GT Designer 2)				

*1 On LCD panels, bright dots (permanently lit) and black dots (never lit) generally appear. Because the number of display elements that exist on an LCD panel is large, it is not possible to reduce appearance of the bright and black dots to zero. Flickering may occur depending on the display colors. Note that the existence of bright and black dots is a standard characteristic of LCD panels, and it does not mean that the products are defective or damaged. Displaying one single screen for a long time can lead to burn-in, causing afterimages or image irregularities that could not disappear. Use the screen saver that is effective to prevent burn-in.

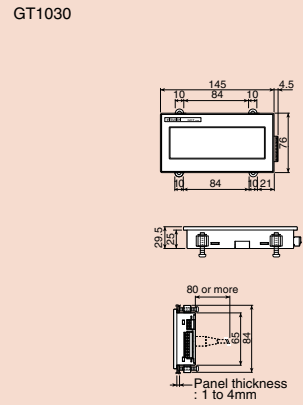
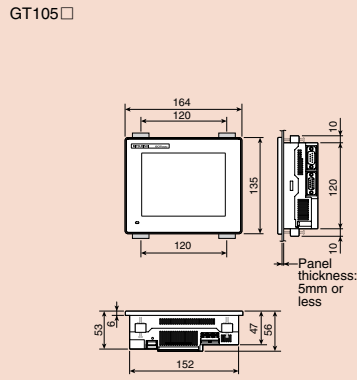
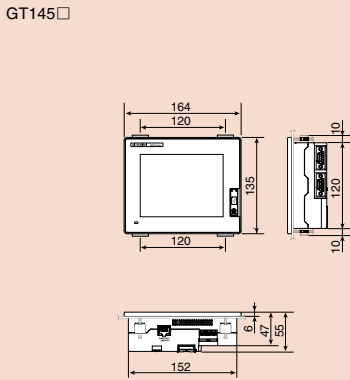
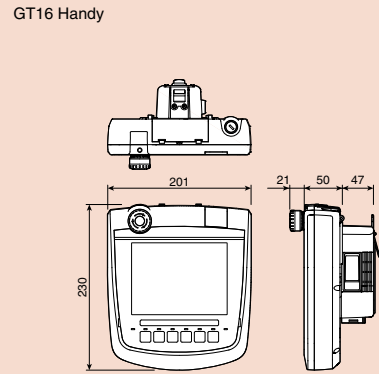
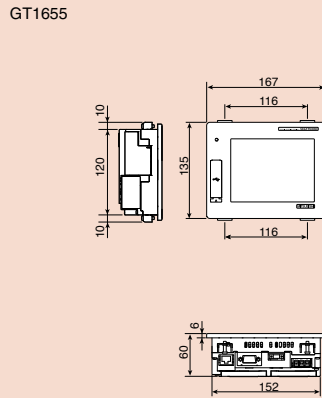
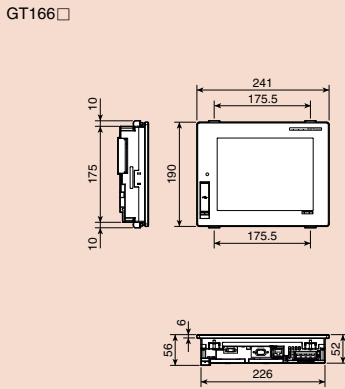
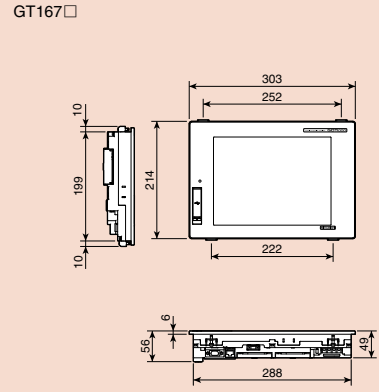
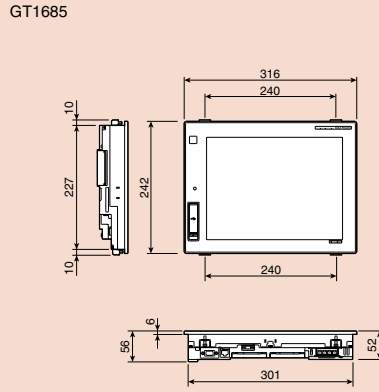
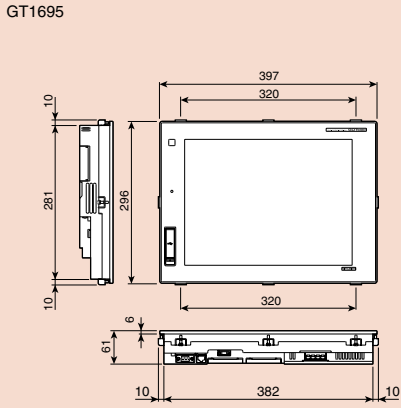
**2 The memory is ROM that permits overwriting of new data without having to delete the existing data.

**3 In the case of GOT multi-drop connection, set the terminal resistance transfer switch on the GOT main unit according to the connection configuration.

**4 This does not guarantee protection in all users' environments. The specification is not applied when the interface protective cover and rear face protective cover are removed. The unit may not be used in an environment where it is exposed to splashing oil or chemicals for a long time or it is soaked with oil mist.

External dimensions

(Unit: mm)



Line-up
Features
Function list
Specifications/ External dimensions
Product list
GOT2000 Series
GOT1000 Series
GOT SIMPLE Series
MELSOFT GT Works3
GOT2000/1000/ GOT SIMPLE Series Product list
MC Works64

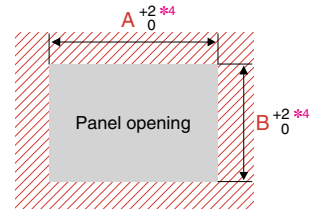
Panel cut dimensions

When the GOT is installed

(Unit: mm)

Screen size	Type of GOT main unit	A	B
15"	GT1695	383.5	282.5
12.1"	GT1685*1	302	228
10.4"	GT167□*2	289	200
8.4"	GT166□	227	176
5.7"	GT1655*3	153	121
	GT105□*3		
4.5"	GT1030	137	66

- *1 Same dimensions as A985GOT(-V)
- *2 Same dimensions as A975/970GOT(-B)
- *3 Same dimensions as F940GOT
- *4 For the GT1030, the tolerances are +1/0.



When the CF card extension unit (mounting unit on control panel) is installed

Type	A	B
GT15-CFEX-C08SET	94.0	33.0

Cautions when installing and uninstalling

When installing the CF card extension unit on the control panel, make sure that the extension unit does not interfere with the extension unit cable or the CF card interface of the GOT. Place the CF card extension unit at a distance of 25mm or more from the GOT. For installation locations, see the GT16 User's Manual (Hardware).

For compatibility with GOT900 series, see "Backward compatibility" (GOT1000 Series Catalog).

Product installation spacing

The GOT must have the clearances from other devices as shown in [Fig. A]. The GOT may require more distance than the dimensions shown in the table depending on the types of connection cables. Consider the connector dimensions and cable bending radius when designing the installation.

GT16

(Unit: mm)

Item	GT1695	GT1685	GT167□	GT166□	GT1655
GOT only	50 or more (20 or more)	50 or more (20 or more)	50 or more (26 or more)	50 or more (36 or more)	61 or more
When a bus connection unit is installed	50 or more (20 or more)	50 or more (20 or more)	50 or more (26 or more)	50 or more (36 or more)	50 or more
When a serial communication unit is installed	50 or more (20 or more)	50 or more (20 or more)	50 or more (26 or more)	50 or more (36 or more)	49 or more
When a RS-422 conversion unit is installed	50 or more	51 or more	63 or more	73 or more	-
When an Ethernet communication unit is installed	-				
When the CC-Link communication unit (GT15-J61BT13) is installed	50 or more (20 or more)				
When a MELSECNET/H communication unit (coaxial) is installed	50 or more (20 or more)	50 or more (24 or more)	50 or more (33 or more)	50 or more	64 or more
When a MELSECNET/H communication unit (optical) is installed	50 or more (20 or more)*1				
When a CC-Link IE Controller Network communication unit is installed	50 or more (20 or more)				
When a CC-Link IE Field Network communication unit is installed	50 or more (20 or more)				
When a printer unit is installed	50 or more (20 or more)	50 or more (20 or more)	50 or more (26 or more)	50 or more (36 or more)	50 or more (29 or more)
When a multimedia unit is installed	50 or more (20 or more)*2				
When a video input unit is installed	50 or more (20 or more)*2				
When a RGB input unit is installed	50 or more (20 or more)*3				
When a video/RGB input unit is installed	50 or more (20 or more)*2 *3				
When a RGB output unit is installed	50 or more (20 or more)*3				
When a CF card unit is installed	50 or more (20 or more)	50 or more (20 or more)	50 or more (26 or more)	50 or more (36 or more)	50 or more (20 or more)
When a CF card extension unit is installed	50 or more (20 or more)	50 or more (20 or more)	50 or more (26 or more)	50 or more (36 or more)	50 or more
When an audio output unit is installed	50 or more (20 or more)	50 or more (20 or more)	50 or more (26 or more)	50 or more (36 or more)	50 or more
When an external input/output unit is installed	50 or more (20 or more)	50 or more (20 or more)	50 or more (26 or more)	50 or more (36 or more)	50 or more
B	80 or more (20 or more)				
C (When a CF card is not used)	50 or more (20 or more)				
C (When a CF card is used)	50 or more (20 or more)				
D	50 or more (20 or more)				
E	100 or more (20 or more)				

- *1 The distance varies depending on the cable to be used. For details, consult your local sales office. The values in the table are given for your reference only and may not reflect actual conditions.
- *2 The distances required when the coaxial cable 3C-2V (JIS C 3501) is used.
- *3 The distance varies depending on the cable used. When the bending radius of the cable is larger than the indicated value, leave enough space appropriate for the bending radius.
- *4 When using a battery, the required dimension is greater than when using a CF card.

GT14

(Unit: mm)

GOT main unit	A, D	B	C	E
GT1455	50 or more*3 (20 or more)	80 or more*1 (20 or more)	50 or more*2 (20 or more)	100 or more*4 (20 or more)
GT1450				

- *1 50 or more (20 or more) in the case of vertical installation
- *2 80 or more (20 or more) in the case of vertical installation
- *3 The distance varies depending on the Ethernet cable used. When the bending radius of the Ethernet cable is larger than the indicated value, leave enough space appropriate for the bending radius.
- *4 When using a USB memory or SD card, allow space for removal and mounting when installing.

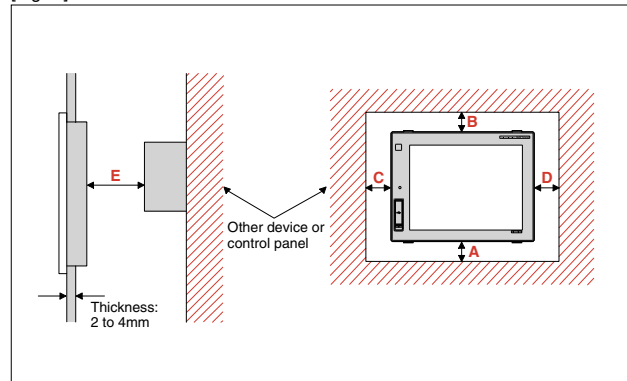
GT10

(Unit: mm)

GOT main unit	A	B	C	D	E
GT105□	50 or more (20 or more)	80 or more (20 or more)	50 or more (20 or more)	50 or more (20 or more)	100 or more (20 or more)*3
GT1030	50 or more (20 or more)*1	50 or more (20 or more)	50 or more (20 or more)	50 or more	80 or more (20 or more)*2

- *1 50 or more when a RS-232/USB conversion adapter is used.
- *2 80 or more when a personal computer connection cable is used or when a personal computer RS-232 interface is used for connecting multiple GOTs.
- *3 50 or more when a RS-232 interface is used for using an RS-232/USB conversion adapter.
- *4 80 or more when using a USB cable or a memory board.

[Fig. A]



●Dimensions shown in parentheses apply when there are no devices nearby (contactor, etc.) which produce radiated noise or heat. Even with these dimensions, however, the ambient temperature must never exceed 55°C. Depending on the unit and cable being used, a cable length longer than dimension A (or dimension D for the GT10) in above [Fig. A] may be required.

Line-up

Features

Function list

Specifications/
External
dimensions

Product list

GOT2000
Series

GOT1000
Series

GOT SIMPLE
Series

MELSOFT
GT Works3

GOT2000/1000/
GOT SIMPLE
Series Product list

MC Works64

Function list

GT16 GT14 GT SoftGOT

Category	Function*1	Optional function board*2	Extended/optional function OS installation*2	Other necessary devices*3	Model													
					GT16													
					GT1695M -XTB XGA 15"	GT1685M -STB SVGA 12.1"	GT1675M -STB SVGA 10.4"	GT1675M -VTB VGA 10.4"	GT167 VNB VGA 10.4"	GT1665M -STB SVGA 8.4"	GT1665M -VTB VGA 8.4"	GT1662 -VNB VGA 8.4"	GT1655 -VTBD VGA 5.7"	GT1665 HS-VTBD VGA*4 6.5"				
Connection configuration	Mitsubishi PLC bus connection				●	●	●	●	●	●	●	●	●	●	●	●	●	
	Mitsubishi PLC CPU direct connection				●	●	●	●	●	●	●	●	●	●	●	●	●	
	Mitsubishi PLC computer link connection				●	●	●	●	●	●	●	●	●	●	●	●	●	
	Mitsubishi PLC MELSECNET/H connection				●	●	●	●	●	●	●	●	●	●	●	●	●	
	Mitsubishi PLC MELSECNET/10 connection				●	●	●	●	●	●	●	●	●	●	●	●	●	
	Mitsubishi PLC CC-Link IE Controller Network connection				●	●	●	●	●	●	●	●	●	●	●	●	●	
	Mitsubishi PLC CC-Link IE Field Network connection				●	●	●	●	●	●	●	●	●	●	●	●	●	
	Mitsubishi PLC CC-Link connection (ID station/via G4)				●	●	●	●	●	●	●	●	●	●	●	●	●	
	Mitsubishi PLC Ethernet connection			*10	●	●	●	●	●	●	●	●	●	●	●	●	●	
	Third party PLC connection				●	●	●	●	●	●	●	●	●	●	●	●	●	
	Microcomputer connection				●	●	●	●	●	●	●	●	●	●	●	●	●	
	MODBUS®/RTU connection				●	●	●	●	●	●	●	●	●	●	●	●	●	
	MODBUS®/TCP connection				●	●	●	●	●	●	●	●	●	●	●	●	●	
	Temperature controller connection				●	●	●	●	●	●	●	●	●	●	●	●	●	
	Inverter connection				●	●	●	●	●	●	●	●	●	●	●	●	●	
	Servo amplifier connection				●	●	●	●	●	●	●	●	●	●	●	●	●	
	CNC connection				●	●	●	●	●	●	●	●	●	●	●	●	●	
	Robot controller connection				●	●	●	●	●	●	●	●	●	●	●	●	●	
GOT multi-drop connection				●	●	●	●	●	●	●	●	●	●	●	●	●		
Multiple-GT14, GT12, GT11, GT10 connection*14				●	●	●	●	●	●	●	●	●	●	●	●	●		
Hardware specifications	Standard memory capacity				15MB	15MB	15MB	15MB	11MB	15MB	15MB	11MB	15MB	15MB	15MB	15MB	15MB	
	Total memory capacity when using optional memory (standard + optional)	Required*2 (GT15 only)		Memory card	Up to 57MB	Up to 57MB	Up to 57MB	Up to 57MB	Up to 53MB	Up to 57MB	Up to 57MB	Up to 53MB	Up to 57MB	Up to 57MB	Up to 57MB	Up to 57MB	Up to 57MB	
	Display colors	65,536 colors				●	●	●	●	●	●	●	●	●	●	●	●	●
		4,096 colors				●	●	●	●	●	●	●	●	●	●	●	●	●
		256 colors				●	●	●	●	●	●	●	●	●	●	●	●	●
		16 colors				●	●	●	●	●	●	●	●	●	●	●	●	●
		Monochrome (black/white) 16 gray scales				●	●	●	●	●	●	●	●	●	●	●	●	●
		Monochrome (black/white) 2 colors				●	●	●	●	●	●	●	●	●	●	●	●	●
	Resolution	1920 x 1200 dots (WUXGA) (max. at specified resolution)				●	●	●	●	●	●	●	●	●	●	●	●	●
		1600 x 1200 dots (UXGA)				●	●	●	●	●	●	●	●	●	●	●	●	●
		1280 x 1024 dots (SXGA)				●	●	●	●	●	●	●	●	●	●	●	●	●
		1024 x 768 dots (XGA)				●	●	●	●	●	●	●	●	●	●	●	●	●
		800 x 600 dots (SVGA)				●	●	●	●	●	●	●	●	●	●	●	●	●
		640 x 480 dots (VGA)				●	●	●	●	●	●	●	●	●	●	●	●	●
	Built-in interface	320 x 240 dots (QVGA)				●	●	●	●	●	●	●	●	●	●	●	●	●
		288 x 96 dots				●	●	●	●	●	●	●	●	●	●	●	●	●
		160 x 64 dots				●	●	●	●	●	●	●	●	●	●	●	●	●
		RS-232 interface				●	●	●	●	●	●	●	●	●	●	●	●	●
RS-422 interface					*5	*5	*5	*5	*5	*5	*5	*5	*5	*5	*5	*5	*5	
RS-422/232 interface					●	●	●	●	●	●	●	●	●	●	●	●	●	
RS-422/485 interface					●	●	●	●	●	●	●	●	●	●	●	●	●	
Bus interface					●	●	●	●	●	●	●	●	●	●	●	●	●	
Ethernet interface					●	●	●	●	●	●	●	●	●	●	●	●	●	
USB interface		USB host			●	●	●	●	●	●	●	●	●	●	●	●	●	
		USB device			●	●	●	●	●	●	●	●	●	●	●	●	●	
CF card interface					●	●	●	●	●	●	●	●	●	●	●	●	●	
SD card interface				●	●	●	●	●	●	●	●	●	●	●	●	●		
Optional function board interface				●	●	●	●	●	●	●	●	●	●	●	●	●		
Extension interface				2ch	2ch	2ch	2ch	2ch	2ch	2ch	2ch	2ch	2ch	2ch	1ch	1ch		
Multimedia & Video/RGB interface				●	●	●	●	●	●	●	●	●	●	●	●	●		
Video/RGB interface				●	●	●	●	●	●	●	●	●	●	●	●	●		
Others	Vertical display				●	●	●	●	●	●	●	●	●	●	●	●	●	
	Clock function			(Battery)	●	●	●	●	●	●	●	●	●	●	●	●	●	
	Buzzer output				●	●	●	●	●	●	●	●	●	●	●	●	●	
	Human sensor				●	●	●	●	●	●	●	●	●	●	●	●	●	
	Printer		Required	(Printer unit)	●	●	●	●	●	●	●	●	●	●	●	●	●	
	Memory card unit (Memory card extension unit)		Required	Memory card unit Memory card extension unit	●	●	●	●	●	●	●	●	●	●	●	●	●	
	Sound output		Required	Sound output unit	●	●	●	●	●	●	●	●	●	●	●	●	●	
	External input/output		Required	External input/output unit	●	●	●	●	●	●	●	●	●	●	●	●	●	
	Video input / RGB input / RGB output		Required	Video/RGB unit	●	●	●	●	●	●	●	●	●	●	●	●	●	
	USB mouse/keyboard connection		Required		●	●	●	●	●	●	●	●	●	●	●	●	●	
Backlight OFF detection function				●	●	●	●	●	●	●	●	●	●	●	●	●		
Main unit functions	Start from memory card	Required*2 (GT15 only)		Memory card	●	●	●	●	●	●	●	●	●	●	●	●	●	
	Project data read/write			(Memory card/USB memory <GT16/ST14 only>)	●	●	●	●	●	●	●	●	●	●	●	●	●	
	Resource data read				●	●	●	●	●	●	●	●	●	●	●	●	●	
	FA transparent function				●	●	●	●	●	●	●	●	●	●	●	●	●	
	Multi-channel function	Required*2 (GT15 only)			Up to 4ch	Up to 4ch	Up to 4ch	Up to 4ch	Up to 4ch	Up to 4ch	Up to 4ch	Up to 4ch	Up to 4ch	Up to 4ch	Up to 4ch	Up to 4ch	Up to 4ch	
	Gateway function		Required	Memory card/USB memory <GT16/ST14 only>	●	●	●	●	●	●	●	●	●	●	●	●	●	
	MES interface function	Required*2	Required	(Memory card)	●	●	●	●	●	●	●	●	●	●	●	●	●	
SoftGOT-GOT link function	Required*2	Required		●	●	●	●	●	●	●	●	●	●	●	●	●		
File transfer function (FTP client)		Required	Memory card/USB memory <GT16/ST14 only>	●	●	●	●	●	●	●	●	●	●	●	●	●		

*1 The function details, such as the number of settings and the data storage destination, vary depending on the model.
 *2 An optional function board is required to use the functions that are indicated as "Required" in the "Optional function board" column. Some other optional functions may require the optional function board depending on the GOT function version and hardware version.
 The extension/optional function OS must be installed to use the functions that are indicated as "Required" in the "Extended/optional function OS installation" column. A memory card or optional function board may be required when the extension/optional function OS is installed.
 Check the size of the data stored in the GOT. For more details, see "Optional function board, memory card (CF card, SD card), and USB memory selection <GT16/GT15/GT14/GT12/GT11>" (GOT1000 Series Catalog).
 The GT14 and GT12 do not require the optional function board. The GT10 and GT SoftGOT1000 do not require the optional function board or installation of the extension/optional function OS.
 *3 Necessary optional units, memory cards, and USB memory devices other than the optional function board are shown. Parenthesized devices will be required depending on conditions of use. For details, see "Notes for use" (GOT1000 Series Catalog).
 *4 For details, see "GT10", "Handy GOT" and "GT SoftGOT1000" (GOT1000 Series Catalog).

Line-up

Features

Function list

Specifications/ External dimensions

Product list

GOT2000 Series

GOT1000 Series

GOT SIMPLE Series

MELSOFT GT Works3

GOT2000/1000/ GOT SIMPLE Series Product list

MC Works64

Function list

GT16 GT14 GT SoftGOT

Category	Function*1	Optional function board #2	Extension/optional function OS installation #2	Other necessary devices #3	Model											
					GT16											
					GT1695M -XTB ¹ XGA 15"	GT1685M -STB ¹ SVGA 12.1"	GT1675M -STB ¹ SVGA 10.4"	GT1675M -VTB ¹ VGA 10.4"	GT167 -VNB ¹ VGA 10.4"	GT1665M -STB ¹ SVGA 8.4"	GT1665M -VTB ¹ VGA 8.4"	GT1662 -VNB ¹ VGA 8.4"	GT1655 -VTBD VGA 5.7"	GT1665 HS-VTBD VGA*4 6.5"		
Specifications	Base screen, window screen				●	●	●	●	●	●	●	●	●	●	●	
	Dialog window display				●	●	●	●	●	●	●	●	●	●	●	
	Graphic drawing	BMP image display				●	●	●	●	●	●	●	●	●	●	●
		JPEG image display				●	●	●	●	●	●	●	●	●	●	●
		DXF data				●	●	●	●	●	●	●	●	●	●	●
		IGES data				●	●	●	●	●	●	●	●	●	●	●
	Standard fonts (basic)	(Japanese, Japanese (supporting European languages), Chinese (Simplified), Chinese (Simplified, supporting European languages), Chinese (Traditional, supporting European languages))				●	●	●	●	●	●	●	●	●	●	●
		Chinese (Simplified), Chinese (Traditional), Japanese	Required			●	●	●	●	●	●	●	●	●	●	●
		High-quality font				●	●	●	●	●	●	●	●	●	●	●
	Common settings	TrueType font, TrueType font (7 segments)				●	●	●	●	●	●	●	●	●	●	●
Windows® font					●	●	●	●	●	●	●	●	●	●	●	
Stroke basic font (extended)		Required			●	●	●	●	●	●	●	●	●	●	●	
Stroke font (optional)		Required			●	●	●	●	●	●	●	●	●	●	●	
Logo character function					●	●	●	●	●	●	●	●	●	●	●	
Parts (object + figure) layer function					●	●	●	●	●	●	●	●	●	●	●	
Station No. switching					●	●	●	●	●	●	●	●	●	●	●	
Multilingual support function					●	●	●	●	●	●	●	●	●	●	●	
Password					●	●	●	●	●	●	●	●	●	●	●	
Boot logo					●	●	●	●	●	●	●	●	●	●	●	
Object settings	Data operation function				●	●	●	●	●	●	●	●	●	●	●	
	Offset function				●	●	●	●	●	●	●	●	●	●	●	
	Security function	Security level authentication	Required		(Memory card/USB memory <GT16 only>)	●	●	●	●	●	●	●	●	●	●	●
		Operator authentication	Required			●	●	●	●	●	●	●	●	●	●	●
	Lamp display				●	●	●	●	●	●	●	●	●	●	●	
	Touch switch				●	●	●	●	●	●	●	●	●	●	●	
	Numeric display/input				●	●	●	●	●	●	●	●	●	●	●	
	Data list display				●	●	●	●	●	●	●	●	●	●	●	
	Historical data list display*8	Required*8			●	●	●	●	●	●	●	●	●	●	●	
	ASCII display/input				●	●	●	●	●	●	●	●	●	●	●	
Others	Kana-Kanji conversion function	Normal version	Required		●	●	●	●	●	●	●	●	●	●	●	
		Enhanced version	Required			●	●	●	●	●	●	●	●	●	●	
	Clock display				●	●	●	●	●	●	●	●	●	●	●	
	Comment display				●	●	●	●	●	●	●	●	●	●	●	
	Advanced alarm observation/display			(Memory card) (Battery)	●	●	●	●	●	●	●	●	●	●	●	
	Alarm display			(Memory card)	●	●	●	●	●	●	●	●	●	●	●	
	Alarm history display			(Memory card)	●	●	●	●	●	●	●	●	●	●	●	
	Floating alarm display				●	●	●	●	●	●	●	●	●	●	●	
	Parts display			(Memory card)	●	●	●	●	●	●	●	●	●	●	●	
	Parts movement			(Memory card)	●	●	●	●	●	●	●	●	●	●	●	
Maintenance functions	Panel meter display				●	●	●	●	●	●	●	●	●	●	●	
	Level display				●	●	●	●	●	●	●	●	●	●	●	
	Trend graph/Line graph/Bar graph/Statistical graph				●	●	●	●	●	●	●	●	●	●	●	
	Historical trend graph*8	Required*8			●	●	●	●	●	●	●	●	●	●	●	
	Scatter graph				●	●	●	●	●	●	●	●	●	●	●	
	Status observation function				●	●	●	●	●	●	●	●	●	●	●	
	Advanced recipe function	Required		(Memory card)	●	●	●	●	●	●	●	●	●	●	●	
	Recipe function	Required		(Memory card)	●	●	●	●	●	●	●	●	●	●	●	
	Report function	Required		(Printer unit) (Memory card)	●	●	●	●	●	●	●	●	●	●	●	
	Hardcopy function	File saving in memory card	Required		(Memory card)	●	●	●	●	●	●	●	●	●	●	●
Printing on printer		Required		(Printer unit)	●	●	●	●	●	●	●	●	●	●	●	
Barcode function				●	●	●	●	●	●	●	●	●	●	●		
RFID function				●	●	●	●	●	●	●	●	●	●	●		
Multimedia function	Required		Multimedia unit (Memory card)	●	●	●	●	●	●	●	●	●	●	●		
Remote personal computer function (Ethernet)	Required		License	●	●	●	●	●	●	●	●	●	●	●		
Remote personal computer function (serial)	Required		Video/RGB input unit	●	●	●	●	●	●	●	●	●	●	●		
VNC® server function	Required		License	●	●	●	●	●	●	●	●	●	●	●		
Operation panel function	Required		External input/output unit	●	●	●	●	●	●	●	●	●	●	●		
Operation log function	Required		Memory card	●	●	●	●	●	●	●	●	●	●	●		
Document display function	Required*9 (GT16 only)	Required	Memory card	●	●	●	●	●	●	●	●	●	●	●		
Logging function	Required		(Memory card) (Battery)	●	●	●	●	●	●	●	●	●	●	●		
Log viewer function	Required		(Memory card/USB memory)	●	●	●	●	●	●	●	●	●	●	●		
Script function	Project script/Screen script	Required			●	●	●	●	●	●	●	●	●	●	●	
	Object script	Required			●	●	●	●	●	●	●	●	●	●	●	
Device data transfer function	Required			●	●	●	●	●	●	●	●	●	●	●		
Device monitor function				●	●	●	●	●	●	●	●	●	●	●	●	
System monitor function	Required			●	●	●	●	●	●	●	●	●	●	●	●	
List editor for A	Required			●	●	●	●	●	●	●	●	●	●	●	●	
List editor for FX	Required			●	●	●	●	●	●	●	●	●	●	●	●	
SFC monitor function	Required*9 (GT16 only)	Required	Memory card	●	●	●	●	●	●	●	●	●	●	●	●	
Motion SFC monitor function	Required*9 (GT16 only)	Required	Memory card	●	●	●	●	●	●	●	●	●	●	●	●	
Ladder editor function	Required*9 (GT16 only)	Required	Memory card	●	●	●	●	●	●	●	●	●	●	●	●	
Ladder monitor function	Required*9 (GT16 only)	Required	(Memory card)	●	●	●	●	●	●	●	●	●	●	●	●	
Intelligent module monitor function	Required			●	●	●	●	●	●	●	●	●	●	●	●	
Q motion monitor function	Required			●	●	●	●	●	●	●	●	●	●	●	●	
Servo amplifier monitor function	Required			●	●	●	●	●	●	●	●	●	●	●	●	
Network monitor function	Required			●	●	●	●	●	●	●	●	●	●	●	●	
CNC monitor function	Required			●	●	●	●	●	●	●	●	●	●	●	●	
CNC data input/output function	Required		Memory card/USB memory<GT16 only>	●	●	●	●	●	●	●	●	●	●	●	●	
Backup/restoration function	Required		Memory card/USB memory <GT16 only>	●	●	●	●	●	●	●	●	●	●	●	●	
MELSEC-L troubleshooting function	Required			●	●	●	●	●	●	●	●	●	●	●	●	
Maintenance time notification function			Battery	●	●	●	●	●	●	●	●	●	●	●	●	

*1 The function details, such as the number of settings and the data storage destination, vary depending on the model.
 *2 An optional function board is required to use the functions that are indicated as "Required" in the "Optional function board" column. Some other optional functions may require the optional function board depending on the GOT function version and hardware version.
 The extension/optional function OS must be installed to use the functions that are indicated as "Required" in the "Extended/optional function OS installation" column. A memory card or optional function board may be required when the extension/optional function OS is installed.
 Check the size of the data stored in the GOT. For more details, see "Optional function board, memory card (CF card, SD card), and USB memory selection <GT16/GT15/GT14/GT12/GT11> (GOT1000 Series Catalog). The GT14 and GT12 do not require the optional function board. The GT10 and GT SoftGOT1000 do not require the optional function board or installation of the extension/optional function OS.
 *3 Necessary optional units, memory cards, and USB memory devices other than the optional function board are shown. Parenthesized devices will be required depending on conditions of use. For details, see "Notes for use" (GOT1000 Series Catalog).
 *4 For details, see "GT10", "Handy GOT" and "GT SoftGOT1000" (GOT1000 Series Catalog).

Line-up

Features

Function list

Specifications/ External dimensions

Product list

GOT2000 Series

GOT1000 Series

GOT SIMPLE Series

MELSOFT GT Works3

GOT2000/1000/ GOT SIMPLE Series Product list

MC Works64

GOT SIMPLE Lineup

GS21 Simple, high functioning, and user friendly model for a reliable system.

10 inch



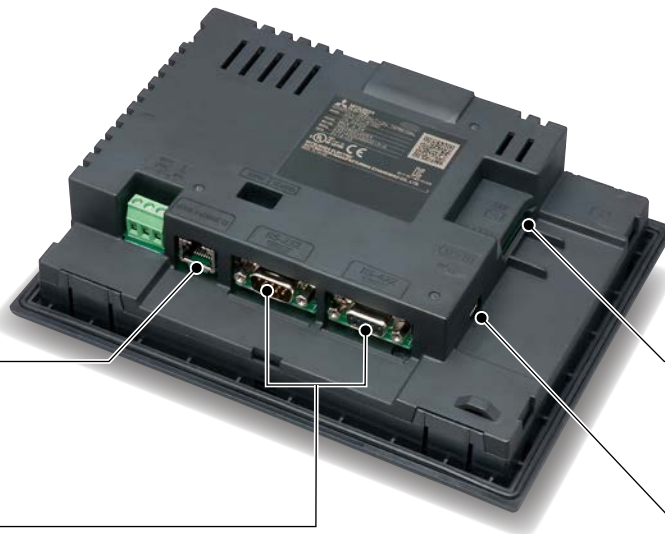
WVGA **GS2110-WTBD** | Resolution: 800x480
Display color: 65536 colors

7 inch



WVGA **GS2107-WTBD** | Resolution: 800x480
Display color: 65536 colors

Standard interface



Ethernet port
For connection with various equipment

**RS-232, RS-422
Communication ports**

SD memory card slot
For carrying data

USB device
For connection with PC

Line-up

Features

Function list

Specifications/
External
dimensions

Product list

GOT2000
Series

GOT1000
Series

GOT SIMPLE
Series

MELSOFT
GT Works3

GOT2000/1000/
GOT SIMPLE
Series Product list

MC Works64

Reduce mass production installation setup costs

Start from SD memory card

SD memory card slot

Transfer the screen data and all the necessary system data to make a GOT operate to a SD memory card in advance. Then the GOT can be used just by inserting the SD memory card. Useful for replacement or maintenance of GOT.

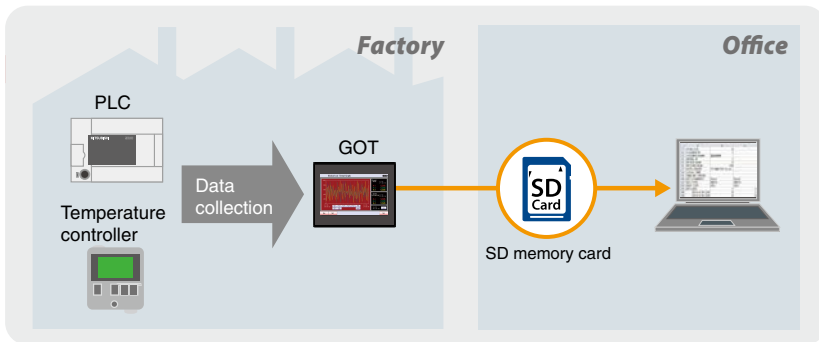


Device data collection

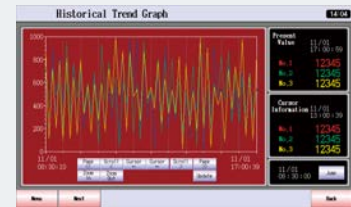
Logging function

SD memory card slot

GOT manages the data of all connected industrial devices. The data can be collected at any arbitrary timing and can be used for data analysis and feedback.



Point! Logged data can be displayed on the GOT as a graph, so status change such as temperature change can be understood in a single glance.



Historical trend graph display



Historical data list display

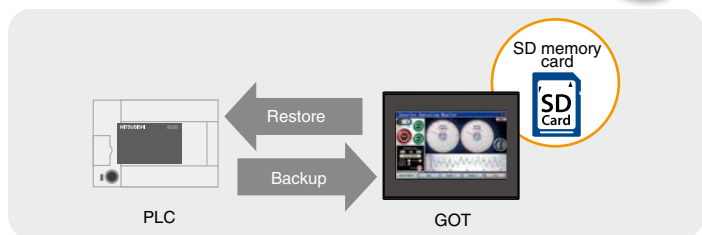
Backup of important programs

Backup/Restore

SD memory card slot

Using backup/restore function, PLC program can be replaced even without a PC. When PLC program is backed up to GOT*1, PLC program and machine operation can instantly be restored even if an unexpected failure occurs.

*1 Separate SD memory card required



Line-up

Features

Function list

Specifications/
External
dimensions

Product list

GOT2000
Series

GOT1000
Series

GOT SIMPLE
Series

ME/SOFT
GT Works3

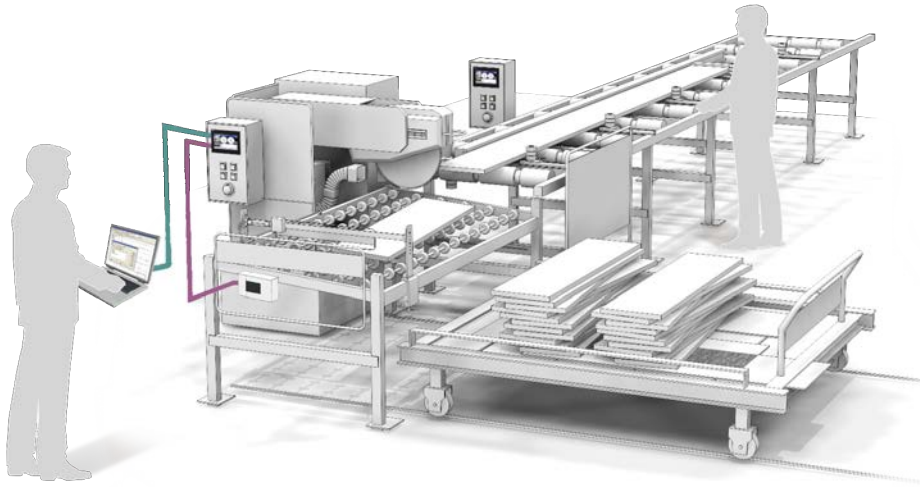
GOT2000/1000/
GOT SIMPLE
Series Product list

MC Works64

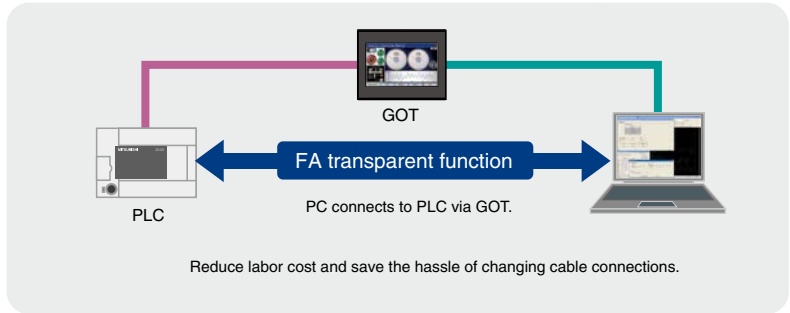
Setup and modification on-site

FA transparent function

Set up and modify devices without changing cable connections.



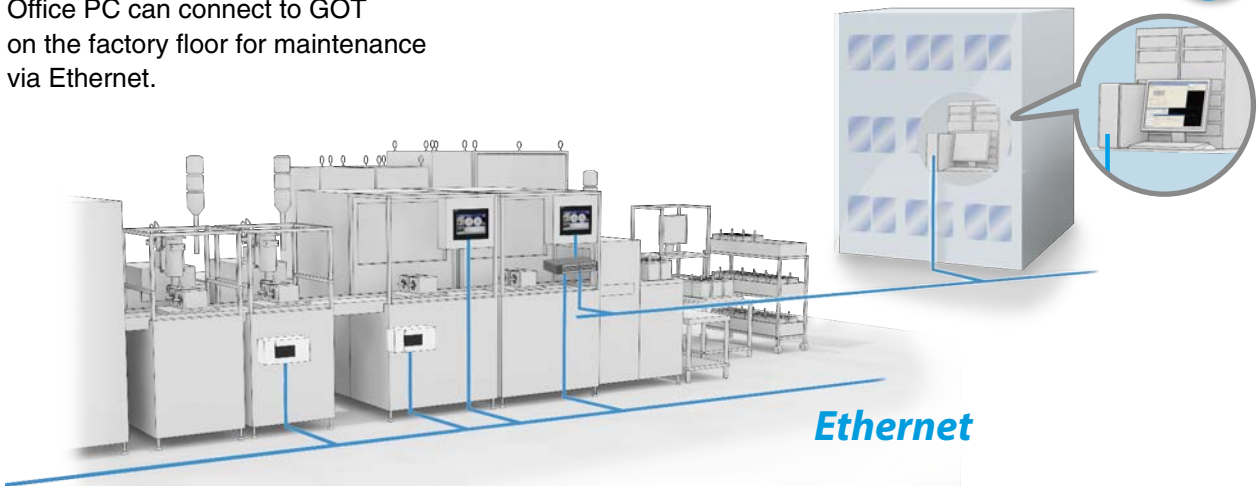
The GOT acts as a transparent gateway to enable programming, start up, and adjustment of Mitsubishi industrial devices.



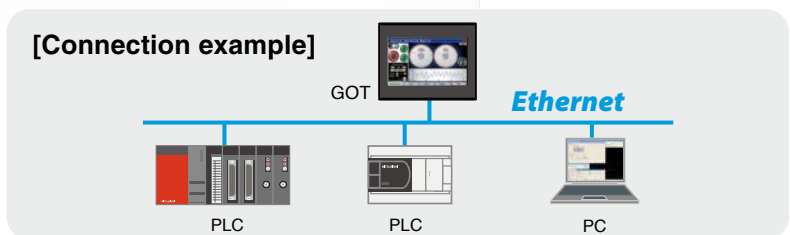
Remote maintenance

Ethernet connection

Office PC can connect to GOT on the factory floor for maintenance via Ethernet.



With Ethernet, it is possible to connect a system of mixed vendors and models, expanding the possibilities at the factory floor.



Line-up

Features

Function list

Specifications/
External
dimensions

Product list

GOT2000
Series

GOT1000
Series

GOT SIMPLE
Series

MELSOFT
GT Works3

GOT2000/1000/
GOT SIMPLE
Series Product list

MC Works64

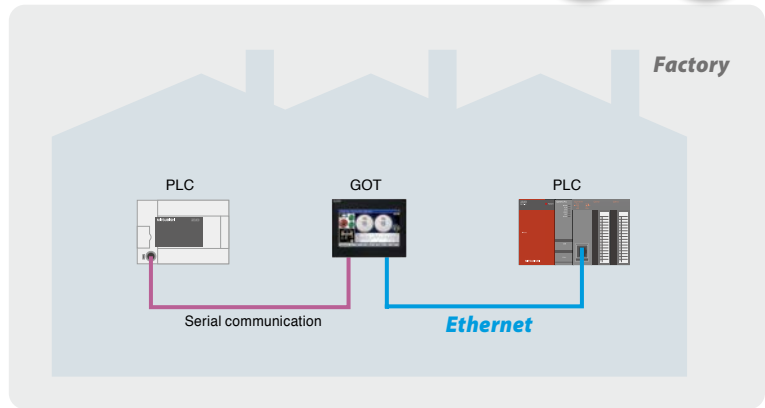
Use GOT SIMPLE to control industrial devices!

Multi-channel function

Up to 2 channels of industrial device can be controlled with one GOT. The data can be easily transferred between devices with just simple settings in GT Works3.

RS-232, RS-422 Communication ports

Ethernet port

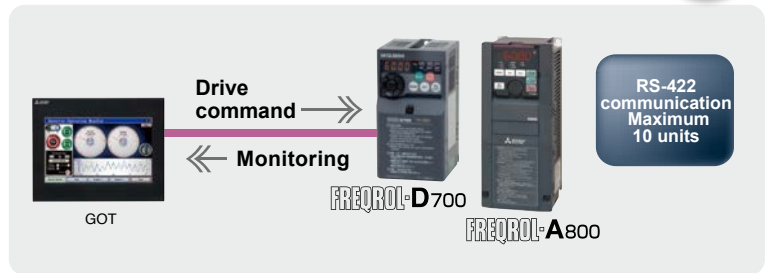


Direct connection to inverters

Inverter connection

Inverter can be directly connected to GOT. Just by connecting them together, communication parameters can automatically be set. GOT can also monitor PLC function devices, and even when multiple inverters are connected, one GOT can manage them all.

RS-422 Communication ports

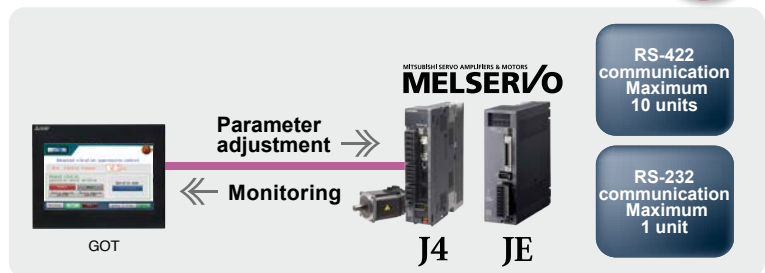


Easy monitoring of servo operation status

Servo connection

Easy setup, monitoring, adjusting alarms, diagnosis, parameter settings, and test operation.

RS-232, RS-422 Communication ports

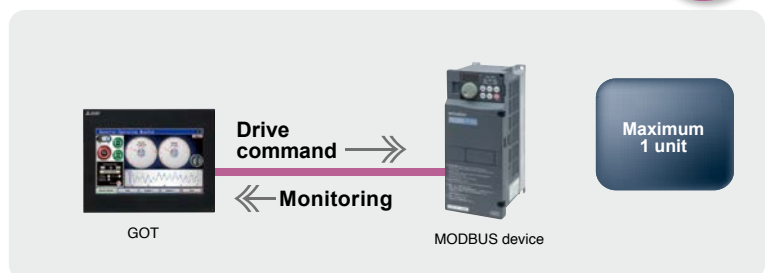


MODBUS® communication also supported

MODBUS communication

As a master station, GOT can communicate with a MODBUS/RTU slave device. 1 device can be connected for monitoring of production line, etc.

RS-232, RS-422 Communication ports



Line-up

Features

Function list

Specifications/ External dimensions

Product list

GOT2000 Series

GOT1000 Series

GOT SIMPLE Series

MELSOFT GOT Works3

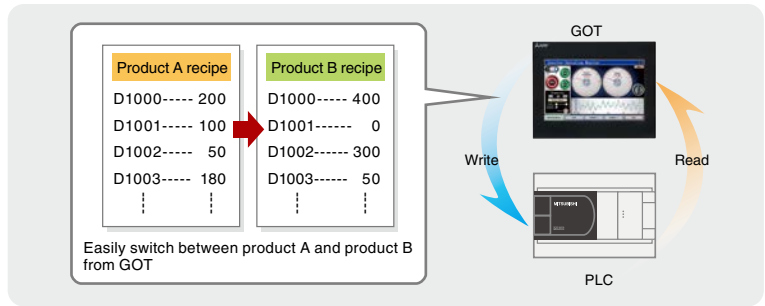
GOT2000/1000/ GOT SIMPLE Series Product list

MC Works64

Convenient for frequent changeover

Recipe function

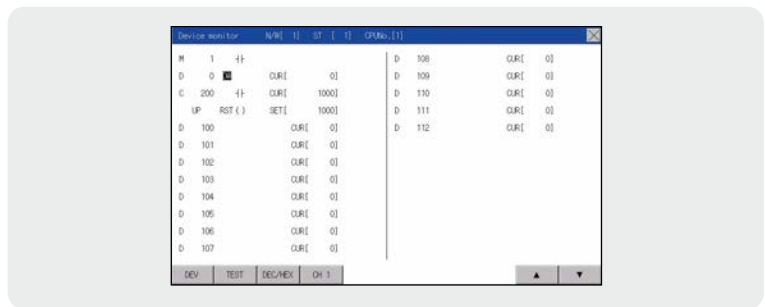
Recipe information such as material blend and machine conditions can be saved in the GOT. This information can be written from the GOT to the PLC, enabling changeover without changing the PLC program. Adjusted data can also be read and stored in the GOT.



Monitor device value and set values for timer, etc.

Device monitor function

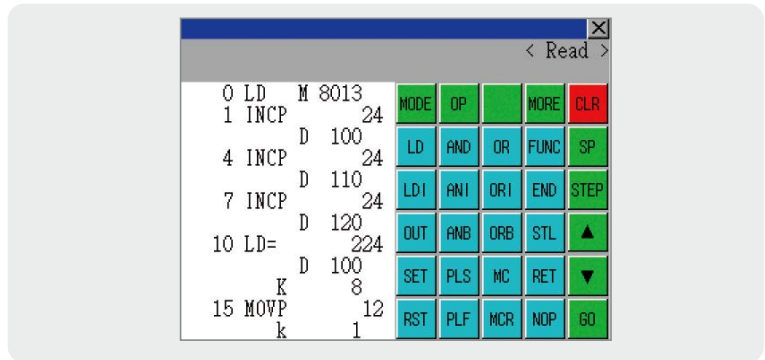
Monitor and change FX/L/Q series internal device ON/OFF status, word values, timer and counter values.



Program change without a PC on-site

MELSEC-FX list editor

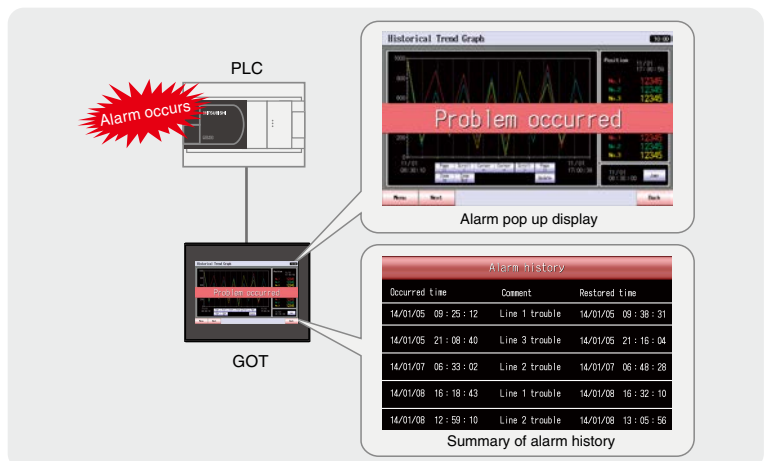
Convenient for minor on-site program changes.



Alarm status identification

Alarm function

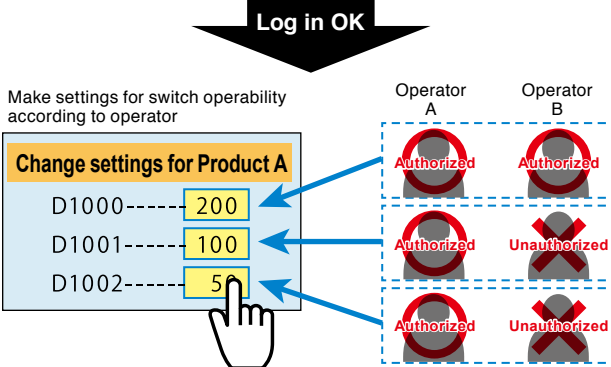
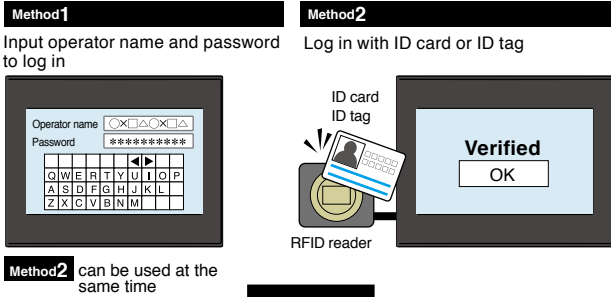
Alarm functions such as alarm display, alarm history, and alarm pop up display are included, and display settings can be made on each screen. Language switching functionality is also supported.



Strengthened security with operator based authorization

Operator authentication function

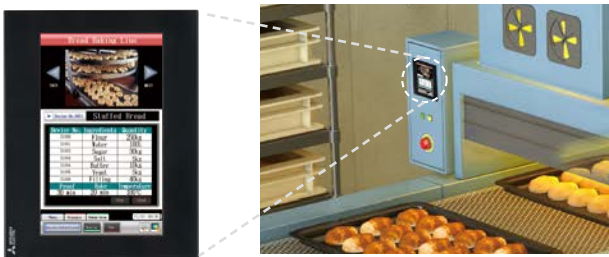
Setting the level (authority) of operation and display for each operator can strengthen security and prevent operation errors. There are two methods for operator authentication at startup or when changing screens.



Easily installed on compact equipment

Vertical display

By using a GOT vertically, it can be easily installed on compact equipment and can neatly display vertical letters. Less scrolling is needed when displaying lists.



GOT SIMPLE function list

Screen design

■ **Figure/object functions**

- Figure
- Logo text
- Touch switch
- Lamp
- Numerical display, Numerical input
- Text display, Text input
- Date display, Time display
- Comment display
- Parts display
- Parts movement
- Simple alarm display
- Alarm display (user)
- Level

- Panel meter
- Line graph
- Trend graph
- Bar graph
- Statistic bar graph
- Statistic pie graph
- Scatter graph
- Historical trend graph
- Historical data list display

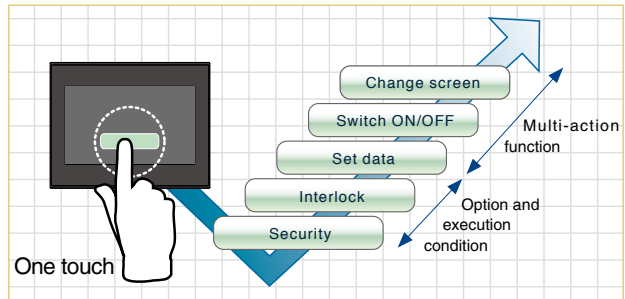
■ **Functions performed on background of GOT**

- Logging
- Recipe
- Device data transfer
- Trigger action

Setting multiple functions with one switch

Multi-action switch

Multiple functions can be set to one switch, so there is no need for multiple switches for separate functions. By setting execution sequence and conditions, delay, repeat, interlock settings can be combined, reducing the burden of PLC programming.

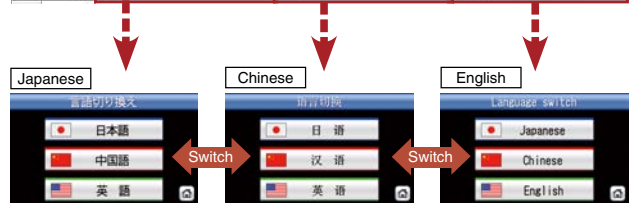


Language change according to country of the operator

Language switching

Screen can be easily made for switching between Japanese, Chinese, English, etc. 30 languages can be set for each comment. Screens, not only languages, can be switched based on purpose.

Column No.	Japan	China(GB)-Mincho	Japan
Comment No. (DEC)	1 Japanese	2 Chinese	3 English
113	言語切替え	语言切换	Language switching
114	日本語	日语	Japanese
115	中国語	汉语	Chinese
116	英語	英语	English



Saving energy when operator is not present

Screen saver

Screen save time can be set from 1 to 60 minutes. By setting the backlight ON/OFF, energy can be saved when no operator is present. PLC can also control the ON/OFF status, so the backlight will turn ON and alarm screen will display when an alarm occurs.

Line-up
Features
Function list
Specifications/ External dimensions
Product list
GOT2000 Series
GOT1000 Series
GOT SIMPLE Series
MELSOFT GT Works3
GOT2000/1000/ GOT SIMPLE Series Product list
MC Works64

Interaction with various industrial devices

In addition to various built-in functions, direct connection between Mitsubishi industrial devices will improve productivity and reduce costs.

PLC



Servo

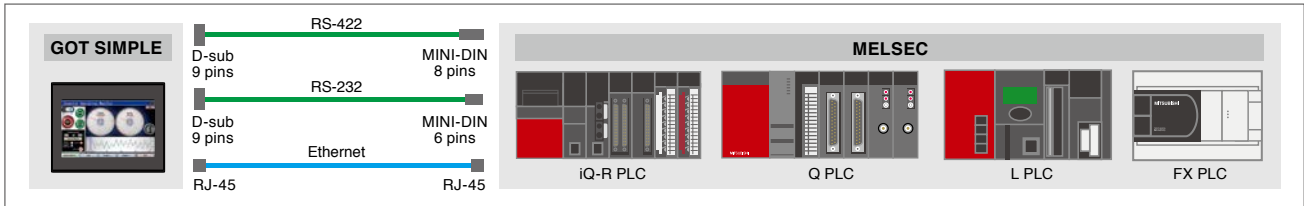


Inverter



Connection to PLCs

A cable is required to connect GOT and PLC. Please prepare the appropriate cable.



GOT SIMPLE Product list

Cables

Product name	Model	Cable length	Description				
RS-422 Cable	FXCPU direct connection cable, FXCPU expansion board connection cable	GT01-C10R4-8P GT01-C30R4-8P GT01-C100R4-8P GT01-C200R4-8P GT01-C300R4-8P	1m 3m 10m 20m 30m	FXCPU <=> GOT FXCPU expansion board <=> GOT [MINI-DIN 8 pins <=> D-sub 9 pins]			
	QnA/FXCPU direct connection cable, Computer link connection cable	GT01-C30R4-25P GT01-C100R4-25P GT01-C200R4-25P GT01-C300R4-25P	3m 10m 20m 30m	QnA/ACPU/motion controller CPU[A series]/FXCPU <=> GOT RS-422 converter cable [FA-CNV□ CBL] <=> GOT Serial communication unit <=> GOT [D-sub 25 pins <=> D-sub 9 pins]			
		Computer link connection cable	GT09-C30R4-6C GT09-C100R4-6C GT09-C200R4-6C GT09-C300R4-6C	3m 10m 20m 30m	Serial communication unit <=> GOT Computer link unit <=> GOT [Stranded wire <=> D-sub 9 pins]		
			RS-232 Cable	Q/LCPU direct connection cable	GT01-C30R2-6P	3m	Q/LCPU <=> GOT [MINI-DIN 6 pins <=> D-sub 9 pins]
				FXCPU expansion board connection cable, FXCPU special adapter connection cable	GT01-C30R2-9S GT01-C30R2-25P	3m 3m	FXCPU expansion board <=> GOT FXCPU special adapter <=> GOT [D-sub 9 pins <=> D-sub 9 pins]
					Computer link connection cable	GT09-C30R2-9P GT09-C30R2-25P	3m 3m
	USB Cable	Data transfer cable		GT09-C30USB-5P		3m	PC[Screen design software] <=> GOT [USB-A <=> USB Mini-B]

Other options

Product name	Model	Description
SD memory card	L1MEM-2GBSD	SD memory card 2GB
	L1MEM-4GBSD	SDHC memory card 4GB

Connectable third-party PLCs

Manufacturer	Series/model name	Computer link connection		CPU direct connection	
		RS-422	RS-232	RS-422	RS-232
Omron	SYSMAC CJ1	CJ1H	○*2	○	○
		CJ1G			
		CJ1M			
	SYSMAC CJ2	CJ2H	○*3	○	○
		CJ2M			
	SYSMAC CP1	CP1H	○	○	○
CP1L					
CP1E [N type]*1					
Keyence	KV-700	○	○	○	○
	KV-1000				
	KV-3000				
	KV-5000				
	KV-5500				

Manufacturer	Series/model name	Computer link connection		CPU direct connection	
		RS-422	RS-232	RS-422	RS-232
Panasonic Industrial Devices SUNX	FP0	x	○	x	○
	FP-M				
	FP-Σ				
	FP-X				
Siemens AG *4	SIMATIC S7-200 series	x	○	x	○
	SIMATIC S7-300 series				
	SIMATIC S7-400 series				
	SIMATIC S7-1200 series				

*1 Among CP1E (N type), only direct connection is possible for CPU units of 20 I/O points or less.
 *2 RS-422 or RS-232 can be selected.
 *3 Only CJ2M-CPU1□ can be connected.
 *4 Use GT09-C30R20801-9S to connect to Siemens PLCs.

For connection details, see the GOT2000 series connection manuals below.

- Mitsubishi Product (SH-081197ENG)
- Non Mitsubishi Product 1 (SH-081198ENG)
- Non Mitsubishi Product 2 (SH-081199ENG)
- Microcomputer, MODBUS Products, Peripherals (SH-0811200ENG)

General specifications

Item	Specifications					
Operating ambient temperature	0 to 50°C					
Storage ambient temperature	-20 to 60°C					
Operating/Storage ambient humidity	10 to 90%RH, non-condensing (The wet bulb temperature is 39°C) When the ambient temperature exceeds 40°C, maintain the absolute humidity at 40°C and 90%.					
Vibration resistance	Conforms to IEC 61131-2	Under intermittent vibration	Frequency	Acceleration	Half amplitude	Sweep Count
			5 to 8.4Hz	—	3.5mm	
		Under continuous vibration	Frequency	Acceleration	Half amplitude	Sweep Count
			5 to 8.4Hz	—	1.75mm	
			8.4 to 150Hz	9.8m/s ²	—	10times each in X, Y and Z directions
			8.4 to 150Hz	4.9m/s ²	—	—
Shock resistance	Conforms to IEC 61131-2 (147m/s ² , 3times each in the X, Y, and Z directions)					
Operating atmosphere	Must be free of lamp black, corrosive gas, flammable gas, or excessive amount of electro conductive dust particles. Must be no direct sunlight. (Same as for saving)					
Operating altitude*1	2000m (6562ft) max.					
Installation location	Inside control panel					
Overvoltage category*2	II or less					
Pollution degree*3	2 or less					
Cooling method	Self-cooling					
Grounding	Class D grounding (100Ω or less). To be connected to the panel when grounding is not possible.					

- *1 Do not use or store the GOT under pressures higher than the atmospheric pressure of altitude 0m (0ft). Failure to observe this instruction may cause a malfunction. When the air inside the control panel is purged by pressurization, the surface sheet may be lifted by high pressure. As a result, the touch panel may be difficult to press, and the sheet may be peeled off.
- *2 This indicates the section of the power supply to which the equipment is assumed to be connected between the public electrical power distribution network and the machinery within the premises. Category II applies to equipment for which electrical power is supplied from fixed facilities. The surge voltage withstand level for up to the rated voltage of 300V is 2500V.
- *3 This index indicates the degree to which conductive pollution is generated in the environment where the equipment is used. In pollution degree 2, only non-conductive pollution occurs but temporary conductivity may be produced due to condensation.

Power supply specifications

Item	Specifications	
	GS2110-WTBD	GS2107-WTBD
Input power supply voltage	24VDC (+10%, -15%), ripple voltage 200mV or less	
Power consumption	7.6W (317mA/24V) or less	
	At backlight off	3.8W (158mA/24V) or less
Inrush current	17A or less (6ms, 25°C ambient temperature, maximum load)	
Permissible instantaneous power failure time	Within 5ms	
Noise immunity	Conforms to IEC61000-4-4, 2kV (power supply line)	
Dielectric withstand voltage	350VAC for 1 minute (across power supply terminals and earth)	
Insulation resistance	500VDC across power terminals and earth, 10 MΩ or more by an insulation resistance tester	

Function specifications

Item	Specifications			
	GS2110-WTBD	GS2107-WTBD		
Display	Type	TFT color liquid crystal display		
	Screen size	10"	7"	
	Resolution	800 × 480 [dots]		
	Display size	W222 (8.74) × H132.5 (5.22) [mm] (inch) (Horizontal format)	W154 (6.06) × H85.9 (3.38) [mm] (inch) (Horizontal format)	
	Display character	16-dot standard font : 50 characters 30 lines (2-byte) (Horizontal format)		
	Display color	65536 colors		
Brightness	32-level adjustment			
Backlight	LED-type (no replacement required) Backlight off/screen saving time can be set.			
Touch panel	Type	Analog-resistive film type		
	Key size	Minimum 2 × 2 [dots] (per key)		
	Number of points touched simultaneously	Simultaneous 2-point presses prohibited (Only one point can be touched.)		
Life	1 million times (operating force 0.98N max.)			
Memory	C drive	Flash memory (Internal) (9Mbytes), for storing project data, OS		
		Life (Number of write times) 100,000times		
Built-in interface	RS-422	RS-422, 1ch Transmission speed : 115200/57600/38400/19200/9600/4800bps Connector shape : D-sub 9 pins (Female) Application : For communicating with controllers Terminating resistor : 330Ω fixed		
		RS-232, 1ch Transmission speed : 115200/57600/38400/19200/9600/4800bps Connector shape : D-sub 9 pins (Male) Application : For communication with controller, bar code reader and printer For PC connection (FA transparent function)		
	Ethernet	Data Transfer method : 100BASE-TX, 10BASE-T, 1ch Connector shape : RJ-45 (modular jack) Application : For communication with controllers For PC connection (Project data read/write, FA transparent function)		
	USB	USB (Full Speed 12Mbps) 1ch Connector shape : Mini-B Application : For PC connection (Project data read/write, FA transparent function)		
	SD memory card	Conforms to the SD standard, 1ch Supported memory card : SDHC memory card, SD memory card Application : Project data read/write, logging data save		
Buzzer output	Single tone (LONG/SHORT/OFF adjustable)			
Protective structure	IP65F (only the front part of the panel)			
External dimensions	W272 (10.71) × H214 (8.43) × D56 (2.21) [mm] (inch)		W206 (8.11) × H155 (6.11) × D50 (1.97) [mm] (inch)	
	W258 (10.16) × H200 (7.88) [mm] (inch) (Horizontal format)		W191 (7.52) × H137 (5.40) [mm] (inch) (Horizontal format)	
Panel cutting dimensions	W258 (10.16) × H200 (7.88) [mm] (inch) (Horizontal format)			
Weight	Approx. 1.3kg (Excluding mounting fixtures)		Approx. 0.9kg (Excluding mounting fixtures)	
Compatible software package (Version of GT Designer3)	Version 1.105K or later *			

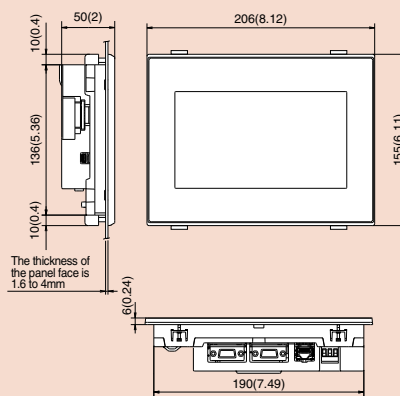
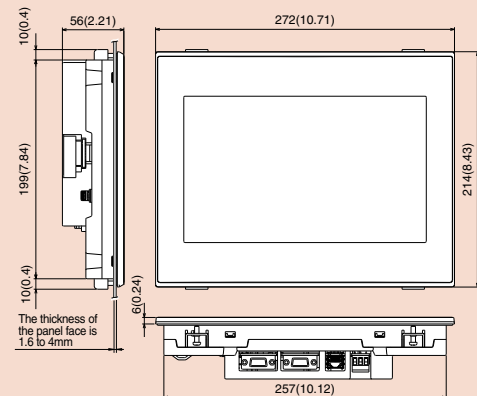
* Installation of GS installer is required.
The functions described here are available in GT Designer3 Version 1.118Y and later.

External dimensions

Unit: mm (inch)

GS2110-WTBD

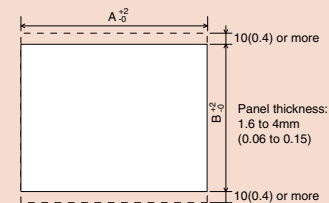
GS2107-WTBD



Panel cutting dimensions

Cut holes in the following dimensions on the panel. Ensure 10mm of space in upper and lower parts of the panel for mounting fixtures.

- Horizontal format (If the vertical format is selected, the dimension must be rotated 90 degrees.)



Item	A	B
GS2110-WTBD	258(10.16)	200(7.88)
GS2107-WTBD	191(7.52)	137(5.4)

MELSOFT GT Works3

Professional Designs in Just a Few Clicks

The GOT2000 introduces an efficient approach to reuse previously created screen designs.

Utilize data (Projects)

When creating a new project, search through the existing projects to find any existing projects that may be reused. Keyword search helps narrow down the search.

Specify search range
Select "Sample Project" to reuse a sample project.

Select or input a keyword
Select a prepared keyword or input an arbitrary keyword.

Search results are displayed

Choose the applicable project from the search result



Sample projects [English, Japanese, Chinese (Simplified)]

GOT2000 has many sample projects that can be used when designing screens. Easily create a screen just by selecting a sample project.



Line-up

Features

Function list

Specifications/
External
dimensions

Product list

GOT2000
Series

GOT1000
Series

GOT SIMPLE
Series

MELSOFT
GT Works3

GOT2000/1000/
GOT SIMPLE
Series Product list

MC Works04

GOT Screen Design Software MELSOFT GT Works3+plus

Utilize data (Screens)

Reuse individual screens from past or sample projects. The settings are also applied and reused so that you can create project data easily.



NEW
Graphical meter
Create stylish, clear meters

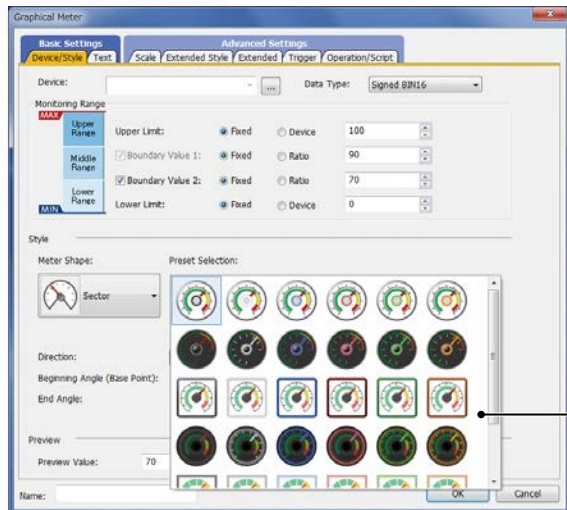
NEW
Table
Easily create tables

NEW Graphical meter

Just select a meter from the preset list and you can create stylish, clear meters. The position and angle of scales can be adjusted by mouse operation and the shape and design can be changed easily. Warning color display indicates the machine status clearly.

* To be supported by GT21 soon

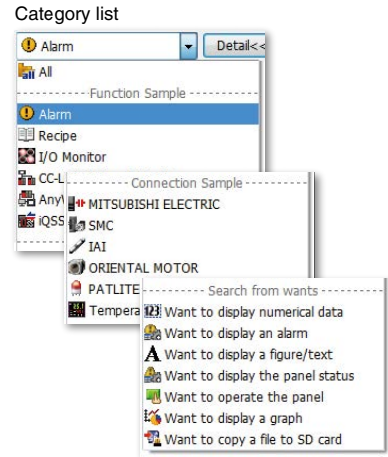
Select from the preset list



The list includes various choices

Search by target/category/keyword

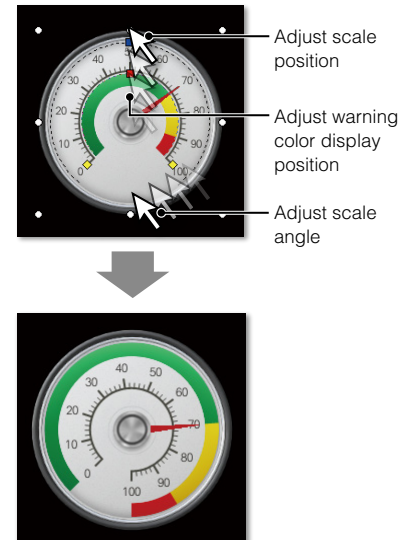
Select a search target, category, or keyword and you can quickly find the screen you need.



Search results are displayed

Just drag and drop to easily apply associated settings to your screen.

Easy to adjust settings by mouse operation



Adjust scale position

Adjust warning color display position

Adjust scale angle

Line-up

Features

Function list

Specifications/
External
dimensions

Product list

GOT2000
Series

GOT 1000
Series

GOT SIMPLE
Series

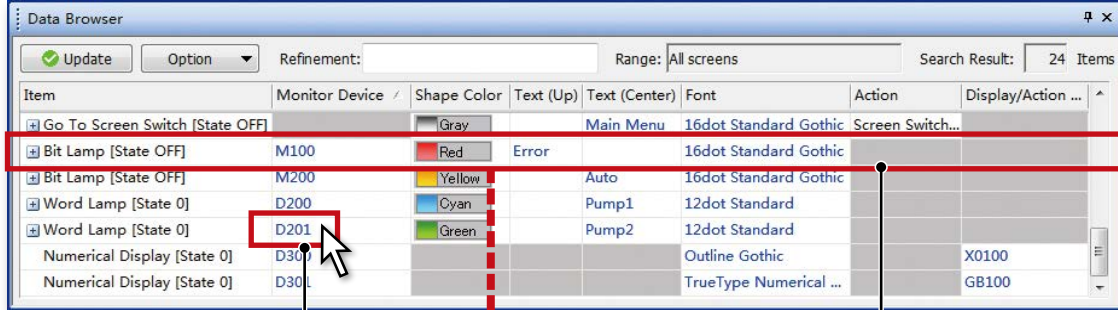
MELSOFT
GT Works3

GOT2000/1000/
GOT SIMPLE
Series Product list

MC Works64

Data browser

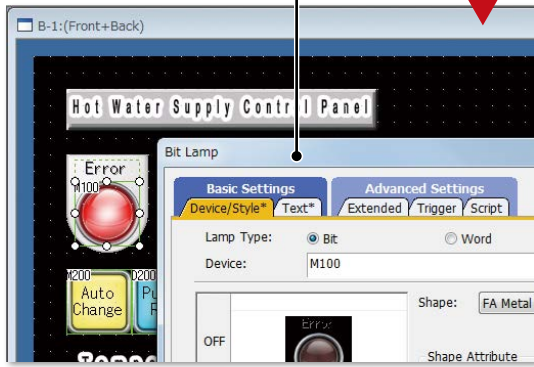
The data browser shows a list of objects used in the project. The settings can be edited directly on the browser or by opening the setting dialog. You can easily identify any duplicate data and no longer have to open multiple screens.



Directly edit on the list, or edit from the setting dialog.

Double-click

After selecting a line, the tree can be expanded with Shift + [+] key.

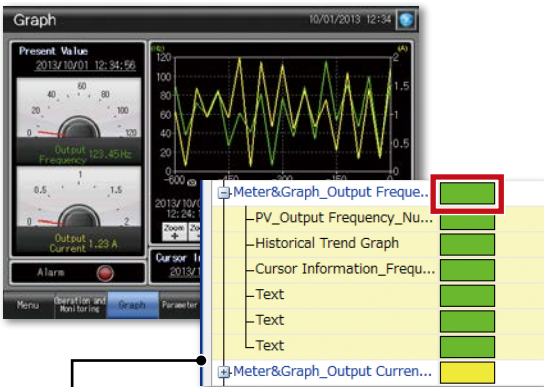


- **Display targets**
Figures, objects, screen scripts, screen trigger actions
- **Editable details**
Directly edit devices and text, etc.
Change devices, text, colors, and figures in a batch
Change action settings, fonts, and figures
Change range settings of numerical displays and other objects
Copy/paste multiple cells
Sort and narrow down items by using devices/keywords
Interchange columns with drag & drop

Template

Customize each template to the desired look-and-feel, ranging from color options to device selection. Attributes such as devices and colors can be set for each template.

You can easily change devices and colors by associating each object with the template's attribute.



Make batch changes with simple settings



Change color from green to red



Colors and devices are changed in a batch

Template attributes (color)

- Historical trend graph line color
- Text color
- Numerical display value color

Items that can be registered in templates

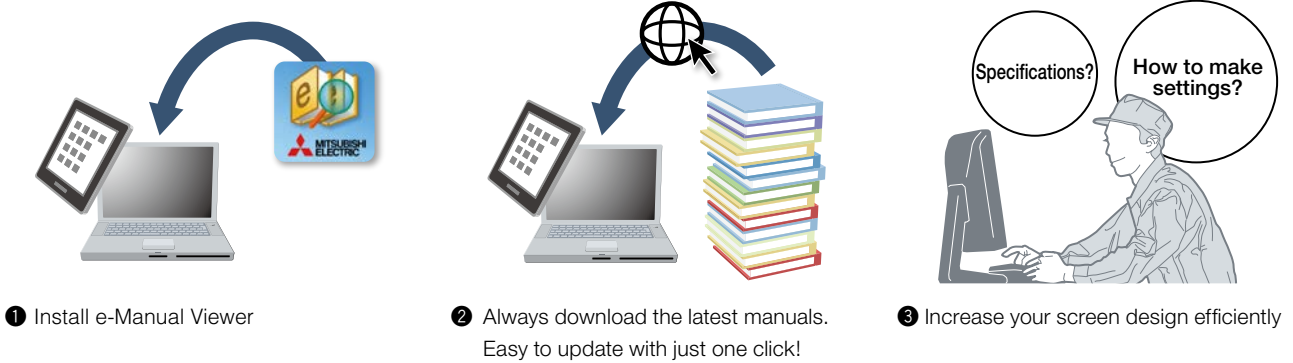
Figures, Objects

Attributes that can be registered and changed in templates

Device (Bit, Word), Numerical value, Text, Color, Figure, Font, Text size

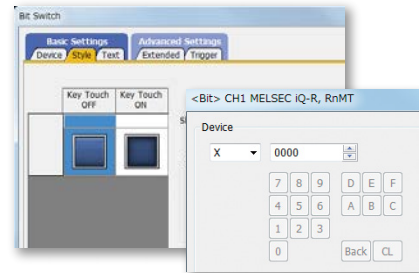
NEW
e-Manual

e-Manual is the Mitsubishi Electric FA Electrical Document Manual with a dedicated viewer (e-Manual Viewer). Useful functions are included such as keyword search of multiple manuals, saving your favorites, saving memos, and others.

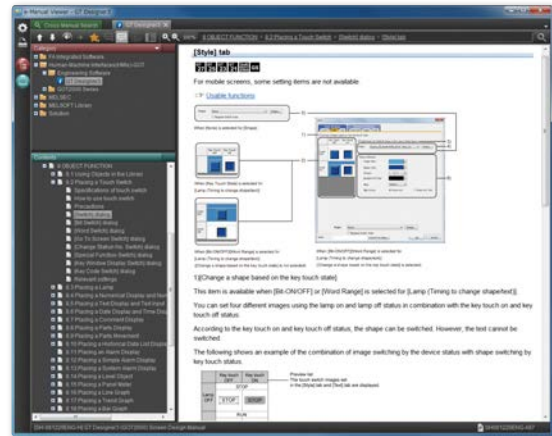


Quickly confirm with F1 key
Press the F1 key in GT Works3 and jump to e-Manual for the dialog being edited! Quickly check setting methods and other information!

GT Works3

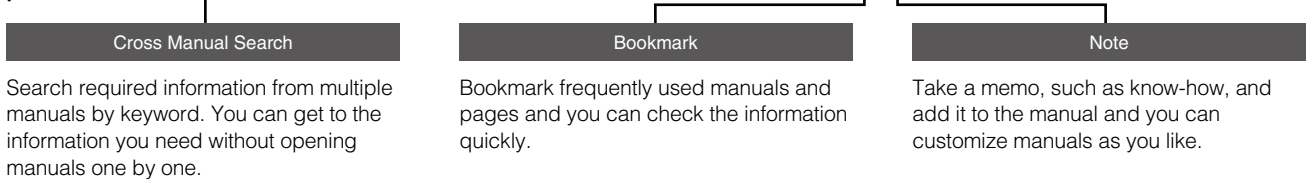


e-Manual



Easy to view, easy to use!

Easy to view contents, easy to use, useful functions help you access manuals efficiently. Quickly search for the information you need.



Easily upgrade from GOT1000!

Simply change the GOT Type using the screen design software to upgrade your GOT1000 projects to GOT2000. It will be a drop in replacement because the panel size is exactly the same.



* The screen data cannot be converted and the GOT type cannot be changed from GOT2000 to GOT1000.

Line-up

Features

Function list

Specifications/
External
dimensions

Product list

GOT2000
Series

GOT1000
Series

GOT SIMPLE
Series

MELSOFT
GT Works3

GOT2000/1000/
GOT SIMPLE
Series Product list

MC Works64

GOT2000 Series Product list

GOT2000 model name

GT27 15 - XTBA

Symbol	Screen size	Symbol	Structure	Symbol	Resolution	Symbol	Display section	Symbol	Panel color	Symbol	Power type	Symbol	Communication interface
15	15"	None	Standard	X	XGA	T	TFT color	B	Black	A	100 V AC to 240 V AC	None *1	Refer to Remarks column of GOT
12	12.1"	F	Open frame model	S	SVGA	M	TFT monochrome	W	White	D	24 V DC	S *1	RS-232 and RS-422/485 interfaces, or RS-422 interface only
10	10.4"			V	VGA			N	No frame	L	5 V DC	S2 *1	Two RS-232 interfaces
08	8.4"			R	480 x 272 dots							-GF *2	CC-Link IE Field Network communication unit set
05	5.7"			P	320 x 128 dots								
04	4.3" Wide												
03	3.8"												

GT27	Advanced model with multi-touch gesture functions
GT25	High-performance, cost efficient, mid-range model
GT23	Unchallenged cost performance
GT21	Compact models with basic functions

*1 For GT21 only
*2 For GT27/GT25 only

GOT2000 main units

Classification	Model	Screen size	Display section Display color	Panel color	Power	Remarks			
GT27	GT2715-XTBA	15" XGA	TFT color 65536 colors	Black	100 to 240 V AC	Multimedia & Video/RGB compatible Multi-touch compatible			
	GT2715-XTBD				24 V DC				
	GT2712	GT2712-STBA		12.1" SVGA	Black		100 to 240 V AC		
		GT2712-STBD					24 V DC		
		GT2712-STWA			100 to 240 V AC				
		GT2712-STWD *1			24 V DC				
	GT2710	GT2710-STBA		10.4" SVGA	TFT color 65536 colors		Black	100 to 240 V AC	
		GT2710-STBD						24 V DC	
		GT2710-VTBA		100 to 240 V AC					
		GT2710-VTBD		24 V DC					
		GT2710-VTWA		100 to 240 V AC					
		GT2710-VTWD *1		24 V DC					
GT2708	GT2708-STBA	8.4" SVGA	TFT color 65536 colors	Black	100 to 240 V AC				
	GT2708-STBD				24 V DC				
	GT2708-VTBA	100 to 240 V AC							
	GT2708-VTBD	24 V DC							
GT2705	GT2705-VTBD	5.7" VGA		Black	24 V DC	Multi-touch compatible			
GT25	GT2512-STBA	12.1" SVGA	TFT color 65536 colors	Black	100 to 240 V AC				
	GT2512-STBD				24 V DC				
	GT2512F-STNA			100 to 240 V AC					
	GT2512F-STND			24 V DC					
	GT2510	GT2510-VTBA		10.4" VGA	TFT color 65536 colors		Black	100 to 240 V AC	
		GT2510-VTBD						24 V DC	
		GT2510-VTWA					100 to 240 V AC		
		GT2510-VTWD *1					24 V DC		
		GT2510F-VTNA					100 to 240 V AC		
		GT2510F-VTND					24 V DC		
GT2508	GT2508-VTBA	8.4" VGA	TFT color 65536 colors	Black	100 to 240 V AC				
	GT2508-VTBD				24 V DC				
	GT2508-VTWA			100 to 240 V AC					
	GT2508-VTWD *1			24 V DC					
	GT2508F-VTNA			100 to 240 V AC					
	GT2508F-VTND			24 V DC					
GT23	GT2310-VTBA	10.4" VGA	TFT color 65536 colors	Black	100 to 240 V AC				
	GT2310-VTBD	24 V DC							
	GT2308-VTBA	8.4" VGA		Black	100 to 240 V AC				
	GT2308-VTBD				24 V DC				
GT21	GT2104-RTBD	4.3" Wide [480 x 272 dots]	TFT color 65536 colors	Black	24 V DC	Ethernet, RS-422/485, RS-232			
	GT2103	3.8" [320 x 128 dots]	TFT Monochrome (black/white) 32 shade grayscale 5-color LED (white, green, pink, orange, red)	Black	24 V DC	Ethernet, RS-422/485			
					24 V DC	RS-232, RS-422/485			
					24 V DC	RS-232 x 2 channels			
					5 V DC	RS-422 (FXCPU connection only)			

*1 To conform to ATEX/KCs standard, protective sheet (GT25-□□PSCC-UC) and special fitting (GT25-□□FIT-EXS) in the product list (page 623) are required. (Only protective sheet is required for GT2508-VTWD.) For the details, please refer to the Technical Bulletin "GOT2000 Series in Compliance with the ATEX Directive and KCs Certification Requirements" (No. GOT-A-0101).

For inquiries relating to the status of conforming to various standards and laws (CE, ATEX [to be obtained soon], UL/cUL, Class I Division 2, EAC, KC, KCs [to be obtained soon], and maritime certifications [ABS/BV/DNV GL/LR/NK/RINA]), please contact your local sales office.

GOT2000 + CC-Link IE Field Network communication unit sets

Classification	Model	Screen size	Display section Display color	Panel color	Power	Remarks	
GT27	GT2715	GT2715-XTBA-GF	15" XGA	Black	100 to 240 V AC	GOT + GT15-J71GF13-T2	
		GT2715-XTBD-GF			24 V DC		
	GT2712	GT2712-STBA-GF	12.1" SVGA	Black	100 to 240 V AC		
		GT2712-STBD-GF			24 V DC		
		GT2712-STWA-GF			100 to 240 V AC		
	GT2710	GT2710-STBD-GF	10.4" SVGA	Black	24 V DC		
		GT2710-VTBA-GF			100 to 240 V AC		
		GT2710-VTBD-GF	24 V DC				
		GT2710-VTWA-GF	100 to 240 V AC				
		GT2710-VTWD-GF	24 V DC				
		GT2708	GT2708-STBA-GF	8.4" SVGA	Black		100 to 240 V AC
			GT2708-STBD-GF				24 V DC
			GT2708-VTBA-GF	100 to 240 V AC			
	GT2708-VTBD-GF		24 V DC				
GT2705	GT2705-VTBD-GF	8.4" VGA	Black	100 to 240 V AC			
GT25	GT2512	GT2512-STBA-GF	12.1" SVGA	Black	100 to 240 V AC	GOT + GT15-J71GF13-T2	
		GT2512-STBD-GF			24 V DC		
	GT2510	GT2510-VTBA-GF	10.4" VGA	Black	100 to 240 V AC		
		GT2510-VTBD-GF			24 V DC		
		GT2510-VTWA-GF			100 to 240 V AC		
	GT2508	GT2510-VTWD-GF	8.4" VGA	White	24 V DC		
		GT2508-VTBA-GF			100 to 240 V AC		
		GT2508-VTBD-GF	24 V DC				
		GT2508-VTWA-GF	100 to 240 V AC				
		GT2508-VTWD-GF	24 V DC				
		GT2508-VTWD-GF	24 V DC				

For inquiries relating to the status of conforming to various standards and laws (CE, ATEX [to be obtained soon], UL/cUL, Class I Division 2, EAC, KC, KCs [to be obtained soon], and maritime certifications [ABS/BV/DNV GL/LR/NK/RINA]), please contact your local sales office.

GOT2000 communication units

Product name	Model	Specifications	Supported model			
			GT27	GT25	GT23	GT21
Ethernet communication unit *1	GT25-J71E71-100	Data transfer method: 100BASE-TX, 10BASE-T Compatible software: GT Works3 Ver. 1.160S or later	●	●	—	—
Serial communication unit	GT15-RS2-9P	RS-232 serial communication unit (D-sub 9-pin male)	●	●	—	—
	GT15-RS4-9S	RS-422/485 serial communication unit (D-sub 9-pin female) *1 *2	●	●	—	—
	GT15-RS4-TE	RS-422/485 serial communication unit (terminal block) *1 Can be used only when connected with temperature controllers/indicating controllers by RS-485 connection or at the GOT multi-drop connection	●	●	—	—
Q bus connection unit	GT15-QBUS	Q bus connection (1 channel) unit standard model	●	●	—	—
	GT15-QBUS2	Q bus connection (2 channels) unit standard model	●	●	—	—
	GT15-75QBUSL	Q bus connection (1 channel) unit slim model *3	●	●	—	—
	GT15-75QBUS2L	Q bus connection (2 channels) unit slim model *3	●	●	—	—
MELSECNET/H communication unit	GT15-J71LP23-25	Normal station unit (optical loop)	●	●	—	—
	GT15-J71BR13	Normal station unit (coaxial bus)	●	●	—	—
CC-Link IE Controller Network communication unit	GT15-J71GP23-SX	Normal station unit (optical loop)	●	●	—	—
CC-Link IE Field Network communication unit	GT15-J71GF13-T2	Intelligent device station unit	●	●	—	—
CC-Link communication unit	GT15-J61BT13	Intelligent device station unit CC-Link Ver. 2 compliant	●	●	—	—
Field network adapter unit	GT25-FNADP	Supported network: PROFIBUS DP, DeviceNet *4	●	●	—	—
Wireless LAN communication unit *5	GT25-WLAN	IEEE802.11b/g/n compliant, built-in antenna, wireless LAN access point (base station) *6, station (client), connection to personal computer, tablet, smartphone Compliance with: Japan Radio Law *7, FCC *8, R&TTE *8, SRRC *9, KC *9	●	●	—	—
Serial multi-drop connection unit	GT01-RS4-M	For GOT multi-drop connection	●	●	●	●

*1 May not be able to be used depending on the connection target. For details, please refer to the GOT2000 Series Connection Manual.
 *2 Cannot be used when connected with temperature controllers or indicating controllers by RS-485 (2-wire type) connection.
 *3 Cannot be stacked with other units.
 *4 The unit should be used with an Anybus® CompactCom M40 network communication module manufactured by HMS. Please purchase the module by specifying the article number.

Supported network	Communication module product name	Communication module article number
PROFIBUS DP	ABCC-M40-DPV1	AB6910-B, AB6910-C
DeviceNet	ABCC-M40-DEV	AB6909-B, AB6909-C

*5 Data transfer in wireless LAN communication may not be as stable as that in cable communication. A packet loss may occur depending on the surrounding environment and the installation location. Be sure to perform a confirmation of operation before using this product.
 *6 When [Operation Mode] is set to [Access Point] in [Wireless LAN Setting] of GT Designer3, up to five stations are connectable.
 *7 The product with hardware version A or later complies with the regulation. The product with hardware version A can be used only in Japan.
 *8 The product with hardware version B or later complies with the regulation. The product with hardware version B or later can be used in Japan, the United States, the EU member states, Switzerland, Norway, Iceland, and Liechtenstein.
 *9 The product with hardware version D or later complies with the regulation. The product with hardware version D or later can be used in Japan, the United States, the EU member states, Switzerland, Norway, Iceland, Liechtenstein, China (excluding Hong Kong, Macau, Taiwan), and Korea.

Line-up

Features

Function list

Specifications/
External
dimensions

Product list

GOT2000
Series

GOT1000
Series

GOT SIMPLE
Series

MELSOFT
GT Works3

GOT2000/1000/
GOT SIMPLE
Series Product list

MC Works64

GOT2000 option units

Product name	Model	Specifications	Supported model			
			GT27	GT25	GT23	GT21
Printer unit	GT15-PRN	USB slave (PictBridge) for printer connection, 1 channel Cable for connection between printer unit and printer (3m) included	●	●	—	—
Multimedia unit	GT27-MMR-Z	For video input (NTSC/PAL), 1 channel, recording video/playing video files	● *1	—	—	—
Video input unit	GT27-V4-Z	For video input (NTSC/PAL), 4 channels	● *1	—	—	—
RGB input unit	GT27-R2	For analog RGB input, 2 channels (simultaneous display) *3	● *1	—	—	—
	GT27-R2-Z	For analog RGB input, 2 channels (display by channel) *3	● *1	—	—	—
Video/RGB input unit	GT27-V4R1-Z	For video input (NTSC/PAL), 4 channels/analog RGB, 1 channel input	● *1	—	—	—
RGB output unit	GT27-ROUT	For analog RGB output, 1 channel (slim unit)	● *1	—	—	—
	GT27-ROUT-Z	For analog RGB output, 1 channel	● *1	—	—	—
Sound output unit	GT15-SOUT	For sound output (ø3.5 stereo pin jack)	●	●	—	—
External I/O unit	GT15-DIOR	For connecting an external I/O device and an operation panel (negative common input, source type output)	●	●	—	—
	GT15-DIO	For connecting an external I/O device and an operation panel (positive common input, sink type output)	●	●	—	—
SD memory card unit	GT21-03SDCD	For mounting an SD memory card	—	—	—	● *2

*1 This unit is not usable for the 5.7 inch model.

*2 Only available to GT2103. (Excluding GT2103-PMBLs)

*3 The settings for GT27-R2 and GT27-R2-Z differ in the screen design software.

GOT2000 software

Product name	Model	Description	
		English Version	
HMI/GOT Screen Design Software MELSOFT GT Works3	SW1DND-GTWK3-E	English Version	Standard license product
	SW1DND-GTWK3-EA		Volume license product *1
	SW1DND-GTWK3-EAZ		Additional license product *1 *6
FA Integrated Engineering Software MELSOFT iQ Works *2 *3	SW2DND-IQWK-E	English Version	Standard license product
License key for GT SoftGOT2000 *4	GT27-SGTKEY-U	USB port license key	
Remote Personal Computer Operation Function (Ethernet) License *5	GT25-PCRAKEY-1	1 license	
	GT25-PCRAKEY-5	5 licenses	
	GT25-PCRAKEY-10	10 licenses	
	GT25-PCRAKEY-20	20 licenses	
VNC Server Function License *5	GT25-VNCSKEY-1	1 license	
	GT25-VNCSKEY-5	5 licenses	
	GT25-VNCSKEY-10	10 licenses	
	GT25-VNCSKEY-20	20 licenses	
MES I/F Function License *5	GT25-MESIFKEY-1	1 license	
	GT25-MESIFKEY-5	5 licenses	
	GT25-MESIFKEY-10	10 licenses	
	GT25-MESIFKEY-20	20 licenses	
GOT Mobile Function License *5	GT25-WEBSKEY-1	NEW	1 license
	GT25-WEBSKEY-5	NEW	5 licenses
	GT25-WEBSKEY-10	NEW	10 licenses
	GT25-WEBSKEY-20	NEW	20 licenses

*1 The desired number of licenses (2 or more) can be purchased. For details, please contact your local sales office.

*2 Volume license product and additional license product are also available. For more details, please refer to the MELSOFT iQ Works catalog (L(NA)08232ENG).

*3 The product includes the following software.

- System Management Software [MELSOFT Navigator]
- Motion Controller Engineering Software [MELSOFT MT Works2]
- Robot Engineering Software [MELSOFT RT ToolBox2 mini]
- MITSUBISHI ELECTRIC FA Library
- Programmable Controller Engineering Software [MELSOFT GX Works3, GX Works2, GX Developer]
- HMI/GOT Screen Design Software [MELSOFT GT Works3]
- Inverter Setup Software [MELSOFT FR Configurator2]

*4 To use GT SoftGOT2000, a license key for GT SoftGOT2000 is necessary for each personal computer.

*5 1 license is required for 1 GOT unit.

*6 This product does not include the DVD-ROM. Only the license certificate with the product ID No. is issued.

Line-up

Features

Function list

Specifications/
External
dimensions

Product list

GOT2000
SeriesGOT1000
SeriesGOT SIMPLE
SeriesMELSOFT
GT Works3GOT2000/1000/
GOT SIMPLE
Series Product list

MC Works64

GOT2000 options

Product name	Model	Specifications	Supported model				
			GT27	GT25	GT23	GT21	
Protective sheet *1	GT27-15PSGC	For 15"	●	—	—	—	
	GT25-12PSGC	For 12.1"	●	●	—	—	
	GT25-10PSGC	For 10.4"	●	●	—	—	
	GT25-08PSGC	For 8.4"	●	●	—	—	
	GT25-05PSGC	For 5.7"	●	—	—	—	
	GT27-15PSCC	For 15"	●	—	—	—	
	GT25-12PSCC	For 12.1"	●	●	—	—	
	GT25-10PSCC	For 10.4"	●	●	—	—	
	GT25-08PSCC	For 8.4"	●	●	—	—	
	GT25-05PSCC	For 5.7"	●	—	—	—	
	GT25-12PSCC-UC *8	For 12.1"	● *8	●	—	—	
	GT25-10PSCC-UC *8	For 10.4"	● *8	● *8	●	—	
	GT25-08PSCC-UC *8	For 8.4"	●	● *8	●	—	
	GT21-04RPSGC-UC	For 4.3" Wide	—	—	—	●	
	GT21-03PSGC-UC	For 3.8"	—	—	—	●	
GT21-04RPSCC-UC	For 4.3" Wide	—	—	—	●		
GT21-03PSCC-UC	For 3.8"	—	—	—	●		
Environmental protection sheet	GT25F-12ESGS NEW	For 12.1"	—	● *7	—	—	
	GT25F-10ESGS NEW	For 10.4"	—	● *7	—	—	
	GT25F-08ESGS NEW	For 8.4"	—	● *7	—	—	
USB environmental protection cover	GT25-UCOV	For 15"/12.1"/10.4"/8.4"	●	●	—	—	
	GT25-05UCOV	For 5.7"	●	—	—	—	
Protective cover for oil *3	GT20-15PCO	For 15"	●	—	—	—	
	GT20-12PCO	For 12.1"	●	●	—	—	
	GT20-10PCO	For 10.4"	●	●	●	—	
	GT20-08PCO	For 8.4"	●	●	●	—	
	GT25-05PCO	For 5.7"	●	—	—	—	
	GT21-04RPCO	For 4.3" Wide	—	—	—	●	
	GT10-20PCO	For 3.8"	—	—	—	●	
Stand	GT15-90STAND	For 15"	●	—	—	—	
	GT15-80STAND	For 12.1"	●	●	—	—	
	GT15-70STAND	For 10.4"/8.4"	●	●	●	—	
	GT05-50STAND	For 5.7"	●	—	—	—	
Memory card	SD memory card	NZ1MEM-2GBSD	SD memory card for GOT, 2 GB	●	●	●	●
		NZ1MEM-4GBSD	SDHC memory card for GOT, 4 GB	●	●	●	●
		NZ1MEM-8GBSD	SDHC memory card for GOT, 8 GB	●	●	●	●
		NZ1MEM-16GBSD	SDHC memory card for GOT, 16 GB	●	●	●	●
	CF card	GT05-MEM-128MC	CF card for GT27-MMR-Z, 128 MB	●	—	—	—
		GT05-MEM-256MC	CF card for GT27-MMR-Z, 256 MB	●	—	—	—
		GT05-MEM-512MC	CF card for GT27-MMR-Z, 512 MB	●	—	—	—
		GT05-MEM-1GC	CF card for GT27-MMR-Z, 1 GB	●	—	—	—
		GT05-MEM-2GC	CF card for GT27-MMR-Z, 2 GB	●	—	—	—
GT05-MEM-4GC	CF card for GT27-MMR-Z, 4 GB	●	—	—	—		
GT05-MEM-8GC	CF card for GT27-MMR-Z, 8 GB	●	—	—	—		
GT05-MEM-16GC	CF card for GT27-MMR-Z, 16 GB	●	—	—	—		
Memory card adaptor	GT05-MEM-ADPC	Conversion adaptor from CF card for GT27-MMR-Z to memory card (TYPE II)	●	—	—	—	
Attachment *10	GT15-70ATT-98	For 10.4"	For replacing GT168□, GT158□, A985GOT *4	●	●	●	—
	GT15-70ATT-87	For 10.4"	For replacing A870GOT-SWS/TWS or A8GT-70GOT-TB/TW/SB/SW	●	●	●	—
	GT15-60ATT-97	For 8.4"	For replacing GT167□, GT157□, A97□GOT	●	●	●	—
	GT15-60ATT-96		For replacing A960GOT	●	●	●	—
	GT15-60ATT-87	For 8.4"	For replacing A870GOT-EWS, A8GT-70GOT-EB/EW, A77GOT-EL, A77GOT-EL-S5/S3	●	●	●	—
	GT15-60ATT-77	For 8.4"	For replacing A77GOT-CL, A77GOT-CL-S5/S3, A77GOT-L, A77GOT-L-S5/S3	●	●	●	—
	GT15-50ATT-95W	For 5.7"	For replacing A956WGOT, F940WGOT	●	—	—	—
	GT15-50ATT-85		For replacing A85□GOT	●	—	—	—
GT21-04RATT-40 NEW	For 4.3" Wide	For replacing GT104□	—	—	—	● *9	
Battery	GT11-50BAT	Battery for backup of SRAM data, clock data, and system status log data *6.		● (For replacement)	● (For replacement)	● (Option)	● *5 (For replacement)
Special fitting *8	GT25-12FIT-EXS NEW	For 12.1"	A set of special fittings for conforming to ATEX/KCs standard	● *8	—	—	—
	GT25-10FIT-EXS NEW	For 10.4"	A set of special fittings for conforming to ATEX/KCs standard	● *8	● *8	—	—

*1 The white model does not have the front USB interface. It is recommended to use the products that the USB environmental protection cover area is closed.
 *2 When using the product with the USB environmental protection cover area closed, the front USB interface cannot be used.
 *3 Check if the protective cover for oil can be used in the actual environment before use. When using the cover, the front USB interface and human sensor cannot be used.
 *4 Including the GP250□ and GP260□ manufactured by Digital Electronics Corporation.
 *5 GT2103 does not have a built-in battery.
 *6 GT21 does not support the system status log data backup function.
 *7 GT2512F, GT2510F, GT2508F only.
 *8 To conform to ATEX/KCs standard, use GOT model that conforms to the standard with an appropriate option. For the supported models, please contact your local sales office.
 *9 GT2104-RTBD only.
 *10 The attachment can be used when the mounting panel thickness is 2 to 3 mm. After replacement using the attachment, the replaced GOT does not comply with IP67F.

GOT2000 cables

Product name	Model	Cable length	Recommended product ⁰⁹	Specifications	Supported model				
					GT27	GT25	GT23	GT21	
QCPU bus connection cable	QCPU connection cable GOT-to-GOT connection cable	GT15-QC06B	0.6 m	○	QCPU ⇔ GOT GOT ⇔ GOT	●	●	—	—
		GT15-QC12B	1.2 m						
		GT15-QC30B	3 m						
		GT15-QC50B	5 m						
		GT15-QC100B	10 m						
	QCPU connection cable GOT-to-GOT connection cable (long distance)	GT15-QC150BS	15 m	○	For connecting the QCPU and GOT (long distance), A9GT-QCNB is required For connecting the GOT and GOT (long distance)	●	●	—	—
		GT15-QC200BS	20 m						
		GT15-QC250BS	25 m						
		GT15-QC300BS	30 m						
		GT15-QC350BS	35 m						
Bus extension connector box	A9GT-QCNB	—	—	Connect the connector box to the main base unit of PLC when connecting the QCPU and GOT (long distance).	●	●	—	—	
Bus connection cable ferrite core	GT15-QFC	—	○	Attach a ferrite core to the GOT-A900 bus connection cable when an existing GOT-A900 is replaced with a GOT2000. (two ferrite cores/set)	●	●	—	—	
RS-485 terminal block conversion unit	FA-LTBGT2R4CBL05	0.5 m	○	RS-485 terminal block conversion unit With a cable for connecting RS-422/485 (connector) of GOT2000 and a RS-485 terminal block conversion unit	●	●	—	—	
	FA-LTBGT2R4CBL10	1 m							
	FA-LTBGT2R4CBL20	2 m							
RS-422 conversion cable	FA-CNV2402CBL	0.2 m	○	For connecting the QCPU/L02SCPU(-P) and the RS-422 cable (GT01-C□□R4-25P, GT10-C□□R4-25P, GT21-C□□R4-25P5) For connecting the L6ADP-R2 and the RS-422 cable (GT01-C□□R4-25P, GT10-C□□R4-25P, GT21-C□□R4-25P5) [MINI-DIN 6-pin ⇔ D-sub 25-pin]	●	●	●	● ^{*12}	
	FA-CNV2405CBL	0.5 m							
RS-422 cable	QnA/FXCPU direct connection cable	GT01-C30R4-25P	3 m	—	For connecting the QnA/ACPU/FXCPU/motion controller (A series) and the GOT For connecting the RS-422 connector conversion cable (FA-CNV□CBL) and the GOT For connecting the serial communication module and the GOT For connecting the peripheral connection module (AJ65BT-G4-S3) and the GOT [D-sub 25-pin ⇔ separate wire (connector terminal block 9-pin)]	●	●	●	● ^{*3 *7}
		GT01-C100R4-25P	10 m						
		GT01-C200R4-25P	20 m						
		GT01-C300R4-25P	30 m						
		GT10-C30R4-25P	3 m						
		GT10-C100R4-25P	10 m						
	Computer link connection cable	GT10-C200R4-25P	20 m	—	For connecting the QnA/ACPU/FXCPU/motion controller (A series) and the GOT For connecting the RS-422 connector conversion cable (FA-CNV□CBL) and the GOT For connecting the serial communication module and the GOT For connecting the peripheral connection module (AJ65BT-G4-S3) and the GOT [D-sub 25-pin ⇔ separate wire (connector terminal block 9-pin)]	—	—	—	● ^{*10}
		GT10-C300R4-25P	30 m						
		GT21-C30R4-25P5	3 m						
		GT21-C100R4-25P5	10 m						
	CC-Link (G4) connection cable	GT21-C200R4-25P5	20 m	—	For connecting the QnACPU and GOT For connecting the RS-422 connector conversion cable (FA-CNV□CBL) and GOT For connecting the serial communication module and GOT For connecting the peripheral connection module (AJ65BT-G4-S3) and GOT [D-sub 25-pin ⇔ separate wire (connector terminal block 5-pin)] [*] GT2103-PMDB cannot be connected to Q00JCPU, Q00CPU, Q01CPU, A Series, or FX1/FX2 Series.	—	—	—	● ^{*2}
		GT21-C300R4-25P5	30 m						
		GT09-C30R4-6C	3 m						
		GT09-C100R4-6C	10 m						
	Computer link connection cable	GT09-C200R4-6C	20 m	○	For connecting the serial communication module and GOT For connecting a computer link module and GOT [separate wire ⇔ D-sub 9-pin]	●	●	●	● ^{*3 *7}
		GT09-C300R4-6C	30 m						
		GT01-C10R4-8P	1 m						
		GT01-C30R4-8P	3 m						
	FXCPU direct connection cable	GT01-C100R4-8P	10 m	—	For connecting the FXCPU and GOT For connecting the FXCPU communication expansion board and GOT [MINI-DIN 8-pin ⇔ D-sub 9 pin]	●	●	●	● ^{*3 *7}
		GT01-C200R4-8P	20 m						
		GT01-C300R4-8P	30 m						
		GT10-C10R4-8P	1 m						
		GT10-C30R4-8P	3 m						
		GT10-C100R4-8P	10 m						
		GT10-C200R4-8P	20 m						
		GT10-C300R4-8P	30 m						
		GT21-C10R4-8P5	1 m						
		GT21-C30R4-8P5	3 m						
		GT21-C100R4-8P5	10 m						
		GT21-C200R4-8P5	20 m						
FXCPU communication expansion board connection cable	GT21-C300R4-8P5	30 m	—	For connecting the FXCPU and GOT For connecting the FXCPU communication expansion board and GOT [MINI-DIN 8-pin and separate wire (connector terminal block 5-pin)]	—	—	—	● ^{*2}	
	GT10-C10R4-8P	1 m							
	GT10-C10R4-8P	1 m							
	GT10-C30R4-8P	3 m							
RS-422 connector conversion cable	GT10-C100R4-8P	10 m	—	For connecting the FXCPU and GOT For connecting the FXCPU communication expansion board and GOT [MINI-DIN 8-pin ⇔ separate wire (connector terminal block 9-pin)] [*] This cable cannot be used for FX1NC, FX2NC, FX3UC-D/DSS, FX3G, or FX3GC.	—	—	—	● ^{*4}	
	GT10-C10R4-8P	1 m							
	GT10-C100R4-8PC	10 m							
	GT10-C200R4-8PC	20 m							
	GT10-C300R4-8PC	30 m							
GT10-C02H-9SC	0.2 m	—	For connecting a PLC and GOT [D-sub 9-pin ⇔ separate wire (connector terminal block 9-pin)]	—	—	—	● ^{*10}		

Line-up

Features

Function list

Specifications/
External dimensions

Product list

GOT2000 Series

GOT1000 Series

GOT SIMPLE Series

MELSOFT GT Works3

GOT2000/1000/
GOT SIMPLE Series Product list

MC Works64

GOT2000 cables

Product name		Model	Cable length	Recommended product ⁰⁹	Specifications	Supported model			
						GT27	GT25	GT23	GT21
RS-232 cable	Q/LCPU direct connection cable	GT01-C30R2-6P	3 m	—	For connecting the Q/LCPU and GOT For connecting L6ADP-R2 and GOT/personal computer (GT SoftGOT2000) [MINI-DIN 6-pin ⇔ D-sub 9 pin]	●	●	●	● *5 *8
		GT10-C30R2-6P	3 m	—	For connecting the Q/LCPU and GOT [MINI-DIN 6-pin ⇔ separate wire (connector terminal block 9-pin)]	—	—	—	● *6
					For connecting multiple GOTs [MINI-DIN 6-pin ⇔ separate wire (connector terminal block 9-pin)]	—	—	—	● *11
	FXCPU communication expansion board connection cable	GT01-C30R2-9S	3 m	—	For connecting the FXCPU communication expansion board and GOT/personal computer (GT SoftGOT2000)	●	●	●	● *5 *8
					For connecting an FXCPU communication special adapter and GOT/personal computer (GT SoftGOT2000) [D-sub 9-pin ⇔ D-sub 9 pin]	●	●	●	● *5 *8
	FXCPU communication special adapter connection cable	GT01-C30R2-25P	3 m	—	For connecting an FXCPU communication special adapter and GOT/personal computer (GT SoftGOT2000) [D-sub 25-pin ⇔ D-sub 9 pin]	●	●	●	● *5 *8
	Computer link connection cable	GT09-C30R2-9P	3 m	○	For connecting a serial communication module and GOT For connecting a computer link module and GOT For connecting the peripheral connection module (AJ65BT-R2N) and GOT [D-sub 9-pin ⇔ D-sub 9 pin]	●	●	●	● *5 *8
	Computer link connection cable	GT09-C30R2-25P	3 m	○	For connecting a serial communication module and GOT For connecting a computer link module and GOT [D-sub 25-pin ⇔ D-sub 9 pin]	●	●	●	● *5 *8
	RS-232 connector conversion cable	GT10-C02H-6PT9P	0.2 m	—	For connecting a PLC and GOT For connecting multiple GOTs For connecting a barcode reader, RFID, or serial printer and a GOT [D-sub 9-pin ⇔ MINI-DIN 6-pin]	—	—	—	● *11
Data transfer cable	GT01-C30R2-6P	3 m	—	For connecting a GOT and a personal computer [MINI-DIN 6-pin ⇔ D-sub 9-pin] * This cable is usable for the FA transparent function only, and cannot be used to transfer screen or OS data.	—	—	—	● *11	
Conversion cable for connecting external I/O unit		GT15-C03HTB	0.3 m	○	For connecting an external I/O unit (GT15-DIO) and external I/O interface unit (A8GT-C05TK, A8GT-C30TB, user-fabricated cable) for GOT-A900	●	●	—	—
Analog RGB cable		GT15-C50VG	5 m	○	For connecting an RGB image output device (external monitor, personal computer, or others) and GOT	●	—	—	—
USB cable	Data transfer cable	GT09-C30USB-5P	3 m	○	For connecting a personal computer (screen design software) and GOT For connecting a personal computer (GT SoftGOT2000) and QnU/L/FXCPU For connecting a PictBridge-compatible printer and printer unit (GT15-PRN) [USB-A ⇔ USB Mini-B]	●	●	●	● *9
	Printer connection cable								
Extended USB waterproof cable		GT10-C10EXUSB-5S	1 m	—	Use this cable for extracting the USB port of a GOT to the surface of a control panel	—	—	—	●

*1 FA-LTBGT2R4CBL□□, FA-CNV240□CBL are developed by Mitsubishi Electric Engineering Company Limited and sold through your local sales office. The other products listed are developed by Mitsubishi Electric Systems & Service Co., LTD. and sold through your local sales office.

- *2 This cable is usable for GT2103-PMBD.
- *3 This cable is usable for GT2104-RTBD, GT2103-PMBDS.
- *4 This cable is usable for GT2104-RTBD, GT2103-PMBDS, GT2103-PMBLS. For GT2103-PMBLS, use a 3 m or shorter cable.
- *5 This cable is usable for GT2103-PMBDS, GT2103-PMBDS2.
- *6 This cable is usable for GT2104-RTBD, GT2103-PMBDS2.
- *7 GT2104-RTBD, GT2103-PMBDS is possible to correspond by combining the GT10-C02H-9SC type RS-422 connector conversion cable.
- *8 GT2103-PMBDS, GT2103-PMBDS2 is possible to correspond by combining the GT10-C02H-6PT9P type RS-232 connector conversion cable.
- *9 This cable is not usable for the printer connection.
- *10 This cable is usable for GT2104-RTBD, GT2103-PMBDS.
- *11 This cable is usable for GT2103-PMBDS, GT2103-PMBDS2.
- *12 This cable is usable for GT2104-RTBD, GT2103-PMBD, GT2103-PMBDS.

GOT2000 cables for non-Mitsubishi industrial devices

RS-232 and RS-422 cables are available from every manufacturer. For more details, please see the GOT2000 Series Connection Manual.

GOT2000 manuals

Manual name	Manual number
GOT2000 Series User's Manual (Hardware)	SH-081194ENG
GOT2000 Series User's Manual (Utility)	SH-081195ENG
GOT2000 Series User's Manual (Monitor)	SH-081196ENG
GOT2000 Series Connection Manual (Mitsubishi Products) For GT Works3 Version1	SH-081197ENG
GT Designer3 (GOT2000) Screen Design Manual	SH-081220ENG

Line-up

Features

Function list

Specifications/
External
dimensions

Product list

GOT2000
Series

GOT1000
Series

GOT SIMPLE
Series

ME/SOFT
GT Works3

GOT2000/1000/
GOT SIMPLE
Series Product list

MC Works64

GOT1000 Series Product list

GOT1000 model name

GT16 9 5 M - XTBA

Code	Screen size	Code	Display colors	Code	Mounting type	Code	Resolution	Code	Display device	Code	Power supply	Code	Communication interface
9	15"	5	256 colors or more	V	Compatible with video/RGB	X	XGA (1024 × 768 dots)	T	TFT color (high brightness, wide viewing angle)	A	100 to 240VAC	E ^{*1}	With built-in Ethernet
8	12.1"	2	16 colors	None	Panel mount type	S	SVGA (800 × 600 dots)	N	TFT color	D	24VDC	2 ^{*2}	With built-in RS-232
7	10.4"	0	Monochrome	HS	Handy type	V	VGA (640 × 480 dots)	S	STN color	L	5VDC	None ^{*2}	With built-in RS-422
6	8.4", 6.5"			M	Compatible with multimedia & Video/RGB	Q	QVGA (320 × 240 dots)	B	STN monochrome (blue/white)			*1	GT145 L-Q_BDE only
5	5.7"					None	(160 × 64 dots)	L	STN monochrome			*2	GT110 only
4	4.7"							H	STN monochrome (White/black, high contrast)				
3	4.5"												
2	3.7"												

GT16	High performance models with multimedia and a host of features and functions
GT14	Standard model with advanced features and communication interfaces
GT10	Compact models with basic functions

Code	Main unit frame	Code	GT10 backlight
B	Black	W	White backlight
W	White	None	Green backlight

* For inquiries relating to products which conform to UL, cUL, and CE directives and shipping directives, please contact your local sales office.

GOT1000 main units

Model name		Screen size [resolution]	Display	Display colors (number of colors)	Power supply	Memory size	Remarks		
GT16	GT1695	GT1695M-XTBA GT1695M-XTBD	15" XGA [1024 × 768 dots]	TFT color LCD (high brightness, wide viewing angle)	65,536 colors	100-240VAC 24VDC	15MB Compatible with multimedia & Video/RGB		
	GT1685	GT1685M-STBA GT1685M-STBD	12.1" SVGA [800 × 600 dots]	TFT color LCD (high brightness, wide viewing angle)	65,536 colors	100-240VAC 24VDC	15MB Compatible with multimedia & Video/RGB		
		GT167	GT1675M-STBA GT1675M-STBD GT1675M-VTBA GT1675M-VTBD	10.4" SVGA [800 × 600 dots]	TFT color LCD (high brightness, wide viewing angle)	65,536 colors	100-240VAC 24VDC	15MB Compatible with multimedia & Video/RGB	
	GT166		GT1675-VNBA ^{*1} GT1675-VNBD ^{*1} GT1672-VNBA ^{*1} GT1672-VNBD ^{*1}	10.4" VGA [640 × 480 dots]	TFT color LCD	4,096 colors	100-240VAC 24VDC	11MB -	
			GT1655	GT1665M-STBA GT1665M-STBD GT1665M-VTBA GT1665M-VTBD	8.4" SVGA [800 × 600 dots]	TFT color LCD (high brightness, wide viewing angle)	65,536 colors	100-240VAC 24VDC	15MB Compatible with multimedia & Video/RGB
				Handy GOT	GT1662-VNBA ^{*1} GT1662-VNBD ^{*1} GT1655-VTBD ^{*1} GT1665HS-VTBD ^{*1}	8.4" VGA [640 × 480 dots]	TFT color LCD (high brightness, wide viewing angle)	65,536 colors	100-240VAC 24VDC
		GT14			GT1455	5.7" QVGA [320 × 240 dots]	TFT color LCD	16 colors	100-240VAC 24VDC
	GT10				GT1055-QSBD GT1050-QBBD	5.7" QVGA [320 × 240 dots]	STN color LCD STN monochrome LCD	256 colors Monochrome (blue/white) 16 gray scales	24VDC
		GT10	GT1030		4.5" [288 × 96 dots]	STN monochrome LCD (High contrast)	Monochrome (black/white)	3-color LED (green, orange, red) 5VDC	1.5MB Dedicated to RS-422 connection Dedicated to RS-232 connection Dedicated to RS-422FX connection Dedicated to RS-232 connection
	GT1030		GT1030-HBD ^{*1} GT1030-HBD2 ^{*1} GT1030-HBL ^{*1} GT1030-HBDW ^{*1} GT1030-HBDW2 ^{*1} GT1030-HBLW ^{*1} GT1030-HBLW2 ^{*1} GT1030-HWD ^{*1} GT1030-HWD2 ^{*1} GT1030-HWL ^{*1} GT1030-HWDW ^{*1} GT1030-HWDW2 ^{*1} GT1030-HWLW ^{*1}	4.5" [288 × 96 dots]	STN monochrome LCD (High contrast)	White Monochrome (black/white)	3-color LED (green, orange, red) 5VDC 3-color LED (white, pink, red) 5VDC	1.5MB Dedicated to RS-422 connection Dedicated to RS-232 connection Dedicated to RS-422FX connection Dedicated to RS-422 connection Dedicated to RS-232 connection Dedicated to RS-422FX connection Dedicated to RS-422 connection Dedicated to RS-232 connection Dedicated to RS-422FX connection	

*1 Not supported by GT Works2/GT Designer2.

GOT1000 communication interface

Product name	Model name	Specifications	Applicable model			
			GT16	GT14	Handy GOT	GT10
Bus connection unit	GT15-QBUS	Bus connection (1ch) unit standard model for QCPU (Q mode)/ motion controller CPU (Q series)	●	—	—	—
	GT15-QBUS2	Bus connection (2ch) unit standard model for QCPU (Q mode)/ motion controller CPU (Q series)	●	—	—	—
Serial communication unit	GT15-RS2-9P	RS-232 serial communication unit (D-sub 9-pin (male))	●	—	—	—
	GT15-RS4-9S	RS-422/485 serial communication unit (D-sub 9-pin (female)) ^{*1 *2}	●	—	—	—
	GT15-RS4-TE	RS-422/485 serial communication unit (terminal block) ^{*1} ^{*2} Usable only when connecting to temperature controllers/indicating controllers via RS-485 or in GOT multi-drop connection	●	—	—	—
RS-422 conversion unit	GT15-RS2T4-9P	RS-232 → RS-422 conversion unit	● ^{*4}	—	—	—
	GT15-RS2T4-25P	RS-232 → RS-422 conversion unit	● ^{*4} ● ^{*5}	—	—	—
MELSECNET/H communication unit	GT15-J71LP23-25	Standard station unit (optical loop)	●	—	—	—
	GT15-J71BR13	Standard station unit (coaxial bus)	●	—	—	—
CC-Link IE Controller Network communication unit	GT15-J71GP23-SX	Standard station unit (optical loop)	●	—	—	—
CC-Link IE Field Network communication unit	GT15-J71GF13-T2	Intelligent device station unit	●	—	—	—
CC-Link communication unit	GT15-J61BT13	Intelligent device station unit (supporting CC-Link version 2)	●	—	—	—
Serial multi-drop connection unit	GT01-RS4-M	For GOT multi-drop connection	●	●	—	● ^{*3}
Connector conversion adapter	GT10-9PT5S	Conversion connector between D sub 9-pin male and Europe terminal block 5-pin	—	●	—	● ^{*3}
RS-232/485 Signal Conversion Adapter	GT14-RS2T4-9P	Conversion adapter from RS-232 to RS-485	—	●	—	—
CC-Link interface unit	GT11HS-CCL	CC-Link interface unit for Handy GOT	—	—	●	—
	GT11H-CCL		—	—	●	—

*1 The unit may not be able to be used depending on the connection destination. See "List of connectable models" (GOT1000 Series Catalog).

*2 The unit cannot be used when connecting to temperature controllers/indicating controllers via RS-485 (2-wire type)

*3 For the hardware version compatible with GOT, please contact your local sales office.

*4 For the instructions for connection of GT16/GT15, please contact your local sales office.

*5 The unit cannot be used with the GT1655.

*6 When using the unit in a direct connection with a QCPU, only the QnUCPU is supported.

GOT1000 optional units

Product name	Model name	Specifications	Applicable model			
			GT16	GT14	Handy GOT	GT10
Printer unit	GT15-PRN	USB slave (PictBridge) for printer connection, 1ch * Cable for printer connection (3m) included	●	—	—	—
Multimedia unit	GT16M-MMR	For video input (NTSC/PAL) 1ch Record video images/play video files	●*2	—	—	—
Video input unit	GT16M-V4	For video input (NTSC/PAL) 4ch	●*2	—	—	—
RGB input unit	GT16M-R2	For analog RGB input 2ch	●*2	—	—	—
Video/RGB input unit	GT16M-V4R1	For video input (NTSC/PAL) 4ch / analog RGB 1ch composite input	●*2	—	—	—
RGB output unit	GT16M-ROUT	For analog RGB output 1ch	●*2	—	—	—
CF card unit	GT15-CFCD	For additional CF card port (B drive) on the back of the GOT	●	—	—	—
CF card extension unit	GT15-CFEX-C08SET	For additional CF card port (B drive) at the front of the control panel*1	●	—	—	—
Sound output unit	GT15-SOUT	For sound output	●	—	—	—
External input/output unit	GT15-DIOR	For external input/output devices and operation panel connection (negative common input / source type output)	●	—	—	—
	GT15-DIO	For external input/output devices and operation panel connection (positive common input / sink type output)	●	—	—	—

*1 Includes unit to be installed on the control panel, unit to be installed on the GOT, and connection cable (0.8m).
*2 Excluding the GT16-_-VNB-_- and GT1655.
*3 Only the GT1585V and GT1575V are supported.

GOT1000 software

Product name	Model name	Contents	
HMI Screen Design Software MELSOFT GT Works3 Version1	SW1DND-GTWK3-E	Single license	*DVD-ROM
	SW1DND-GTWK3-EA	Multiple-license*1	*DVD-ROM
FA Integrated Engineering Software MELSOFT iQ Works *3	SW1DND-IQWK-E	Single license	*DVD-ROM
License key for GT SoftGOT1000*4	GT15-SGTKEY-J	For USB port	
Personal computer remote operation function (Ethernet) license*5	GT16-PCRAKEY	1 license	
VNC® server function license*5	GT16-VNCSKEY	1 license (For GT16)	
	GT14-VNCSKEY	1 license (For GT14)	

*1 The desired number of licenses (2 or more) can be purchased. For details, please contact your local sales office.
*2 Multiple-license product and additional license product are also available. For more details, please refer to the MELSOFT iQ Works catalog (L(NA)08232).
*3 The product includes the following software:
• System Management Software [MELSOFT Navigator] • Programmable Controller Engineering Software [MELSOFT GX Works2] • Motion Controller Engineering Software [MELSOFT MT Works2]
• Servo Setup Software [MELSOFT MR Configurator2] • Screen Design Software for Graphic Operation Terminal [MELSOFT GT Works3] • Robot Programming Software [MELSOFT RT ToolBox2 mini]
*4 To use GT SoftGOT1000, a license key for GT SoftGOT1000 is necessary for each personal computer.
*5 1 license is required for 1 GOT unit.

GOT1000 options

Product name	Model name	Specifications	Applicable model			
			GT16	GT14	Handy GOT	GT10
Backlight	GT16-90XLTT	For GT1695M-XTB	●	—	—	—
	GT16-80SLTT	For GT1685M-STB	●	—	—	—
	GT16-70SLTT	For GT1675M-STB	●	—	—	—
	GT16-70VLT	For GT1675M-VTB *1	●	—	—	—
	GT16-70VLT TA	For GT1675M-VTB *2	●	—	—	—
	GT16-70VLT N	For GT1675-VNB-_/GT1672-VNB	●	—	—	—
	GT16-60SLTT	For GT1665M-STB	●	—	—	—
	GT16-60VLT	For GT1665M-VTB	●	—	—	—
	GT16-60VLT N	For GT1662-VNB	●	—	—	—
Optional function board	GT16-MESB	Optional function board * The required optional function board varies depending on the GOT main unit and function. For the details, see "Notes for use" (GOT1000 Series Catalog). For MES interface function	●	—	—	—
GT10 memory loader	GT10-LDR	For GT1030/GT1020 (for OS project data transfer) no power source required	—	—	—	●
GT10 memory board	GT10-50FMB	For GT105-_/GT104- (for OS and project data transfer)	—	—	—	●
Protective sheet	GT16-90PSCB	Protective sheet for 15" screen (for GT16)	Clear, 5 sheets	●	—	—
	GT16-90PSGB		Anti-glare, 5 sheets	●	—	—
	GT16-90PSCW		Clear (frame: white), 5 sheets	●	—	—
	GT16-90PSGW	Anti-glare (frame: white), 5 sheets	●	—	—	
	GT16-90PSCB-012	Clear (USB protective cover type), 5 sheets*14	●	—	—	
	GT16-80PSCB	Protective sheet for 12.1" screen (for GT16)	Clear, 5 sheets	●	—	—
	GT16-80PSGB		Anti-glare, 5 sheets	●	—	—
	GT16-80PSCW		Clear (frame: white), 5 sheets	●	—	—
	GT16-80PSGW	Anti-glare (frame: white), 5 sheets	●	—	—	
	GT16-80PSCB-012	Clear (USB protective cover type), 5 sheets*14	●	—	—	
	GT16-70PSCB	Protective sheet for 10.4" screen (for GT16)	Clear, 5 sheets	●	—	—
	GT16-70PSGB		Anti-glare, 5 sheets	●	—	—
	GT16-70PSCW		Clear (frame: white), 5 sheets	●	—	—
	GT16-70PSGW	Anti-glare (frame: white), 5 sheets	●	—	—	
	GT16-70PSCB-012	Clear (USB protective cover type), 5 sheets*14	●	—	—	
	GT16-60PSCB	Protective sheet for 8.4" screen (for GT16)	Clear, 5 sheets	●	—	—
	GT16-60PSGB		Anti-glare, 5 sheets	●	—	—
	GT16-60PSCW		Clear (frame: white), 5 sheets	●	—	—
	GT16-60PSGW	Anti-glare (frame: white), 5 sheets	●	—	—	
	GT16-60PSCB-012	Clear (USB protective cover type), 5 sheets*14	●	—	—	
	GT16H-60PSC	Protective sheet for 6.5" screen (for GT16 Handy GOT)	Clear, 5 sheets	—	●	—
	GT16-50PSCB	Protective sheet for 5.7" screen (for GT16)	Clear, 5 sheets	●	—	—
	GT16-50PSGB		Anti-glare, 5 sheets	●	—	—
	GT16-50PSCW		Clear (frame: white), 5 sheets	●	—	—
GT16-50PSGW	Anti-glare (frame: white), 5 sheets	●	—	—		
GT16-50PSCB-012	Clear (USB protective cover type), 5 sheets*14	●	—	—		
GT14-50PSCB	Protective sheet for 5.7" screen (for GT14)	Clear, 5 sheets	—	●	—	
GT14-50PSGB		Anti-glare, 5 sheets	—	●	—	
GT14-50PSCW		Clear (frame: white), 5 sheets	—	●	—	
GT14-50PSGW	Anti-glare (frame: white), 5 sheets	—	●	—		

GOT1000 options

Product name	Model name	Specifications	Applicable model					
			GT16	GT14	Handy GOT	GT10		
Protective sheet	GT10-50PSCB	Protective sheet for 5.7" screen (for GT105□)	Clear, 5 sheets	—	—	—	●	
	GT10-50PSGB		Anti-glare, 5 sheets	—	—	—	●	
	GT10-50PSCW		Clear (frame: white), 5 sheets	—	—	—	●	
	GT10-50PSGW	Protective sheet for 4.5" screen (for GT1030)	Anti-glare (frame: white), 5 sheets	—	—	—	●	
	GT10-30PSCB		Clear, 5 sheets	—	—	—	●	
	GT10-30PSGB		Anti-glare, 5 sheets	—	—	—	●	
USB protective cover	GT10-30PSCW	Protective cover for USB interface on main unit front panel (for replacement)	Clear (frame: white), 5 sheets	—	—	—	●	
	GT10-30PSGW		Anti-glare (frame: white), 5 sheets	—	—	—	●	
	GT16-UCOV		For 15"/12.1"/10.4"/8.4"	●	—	—	—	
	GT16-50UCOV		For 5.7"	●	—	—	—	
Oil resistant cover*7	GT14-50UCOV	Oil resistant cover for 12.1" screen	For 5.7"	—	—	—	—	
	GT11-50UCOV		For 5.7"	—	●	—	—	
	GT05-90PCO	Oil resistant cover for 10.4" screen	For 5.7"	—	—	—	—	
	GT05-80PCO		For 5.7"	—	—	—	—	
	GT05-70PCO	Oil resistant cover for 8.4" screen	For 5.7"	—	—	—	—	
	GT05-60PCO		For 5.7"	—	—	—	—	
	GT16-50PCO	Oil resistant cover for 5.7" screen	For 5.7"	—	—	—	—	
GT05-50PCO	For 5.7"		—	●	—	—		
GT10-30PCO	Oil resistant cover for 4.5" screen	For 5.7"	—	—	—	●		
Emergency stop switch guard	GT16H-60ESCOV	Cover for accidental operation prevention of emergency stop switch (for GT16 Handy GOT)	—	—	—	●	—	
Handy GOT wall-mounting fixture	GT14H-50ATT	GT14 Handy GOT wall-mounting fixture	—	—	—	—	●*8	
Stand	GT15-90STAND	Stand for 15" type	—	—	—	—	—	
	GT15-80STAND	Stand for 12.1" type	—	—	—	—	—	
	GT15-70STAND	Stand for 10.4"/8.4" type	—	—	—	—	—	
	GT05-50STAND	Stand for 5.7" type	—	—	—	—	—	
	GT05-50STAND	Stand for 5.7" type	—	—	—	—	—	
Memory card	CF card	GT05-MEM-128MC	128MB flash ROM	—	—	—	—	
		GT05-MEM-256MC	256MB flash ROM	—	—	—	—	
		GT05-MEM-512MC	512MB flash ROM	—	—	—	—	
		GT05-MEM-1GC	1GB flash ROM	—	—	—	—	
		GT05-MEM-2GC	2GB flash ROM	—	—	—	—	
	SD card	GT05-MEM-4GC	4GB flash ROM	—	—	—	—	—
		GT05-MEM-8GC	8GB flash ROM	—	—	—	—	—
		GT05-MEM-16GC	16GB flash ROM	—	—	—	—	—
		L1MEM-2GBSD	2GB SD memory card	—	—	—	—	—
		L1MEM-4GBSD	4GB SDHC memory card	—	—	—	—	—
Memory card adapter	GT05-MEM-ADPC	CF card → memory card (TYPE II) conversion adapter	—	—	—	—		
Attachment	GT15-70ATT-98	Attachment for 10.4" type	A985GOT**	—	—	—	—	
	GT15-70ATT-87		A870GOT-SWS A8GT-70GOT-TB A870GOT-TWS A8GT-70GOT-SW A8GT-70GOT-TW A8GT-70GOT-SB	GT167□ → GT157□ GT1275	●	—	—	—
	GT15-60ATT-97		A97□GOT	—	—	—	—	
	GT15-60ATT-96	Attachment for 8.4" type	A960GOT	—	—	—	—	
	GT15-60ATT-87		A870GOT-EWS A77GOT-EL-S5 A8GT-70GOT-EW A77GOT-EL-S3 A8GT-70GOT-EB A77GOT-EL	GT166□ → GT156□ GT1265	●	—	—	—
	GT15-60ATT-77		A77GOT-CL-S5 A77GOT-L-S5 A77GOT-CL-S3 A77GOT-L-S3 A77GOT-CL A77GOT-L	—	—	—	—	
	GT15-50ATT-95W	Attachment for 5.7" type	A956WGOT F940WGOT	GT1655 GT155□ → GT145□ GT115□	●	●	—	—
	GT15-50ATT-85		A85□GOT	—	—	—	—	
	Battery	GT15-BAT	Battery for backup of clock data and maintenance time notification data		●*11	—	●*13	—
		GT11-50BAT	Battery for backup of clock data, alarm history, recipe data, time action set values (for replacement)		●*12	●	●*9	●*8

*1 Function version C or earlier.
 *2 Function version D or later.
 *3 Function version B or earlier.
 *4 Function version C or later.
 *5 Excluding the GT115□□□□BDQ and GT115□□□□BDA.
 *6 Excluding the GT1020.
 *7 Check if the oil resistant cover can be used in the actual environment before use.
 *8 When using the oil resistant cover, the front USB interface and human sensor cannot be used.
 *9 Including the GP250□ and GP260□ manufactured by Pro-face.
 *10 Can be used only with the GT16 Handy.
 *11 Excluding GT1655. Application: Battery for backup of clock data, maintenance time notification data, system log data, SRAM user area (for replacement)
 *12 Can be used only with the GT1655. Application: Battery for backup of clock data, maintenance time notification data, system log data, SRAM user area (for replacement)
 *13 Can be used only with the GT16 Handy. Application: Battery for backup of clock data, maintenance time notification data, system log data, SRAM user area (for replacement)
 *14 The front-face USB interface cannot be used when using a protective sheet that covers the USB protective cover area.

GOT1000 manuals

*Manuals are supplied as PDF documents with the software package in the DVD-ROM. Printed manuals are also available.

Manual title	Catalog No.	Manual title	Catalog No.
GT Designer3 Version1 Screen Design Manual (Fundamentals)	SH-080866ENG	GT Simulator3 Version1 Operating Manual for GT Works3	SH-080860ENG
GT Designer3 Version1 Screen Design Manual (Functions) *A set of two volumes	SH-080867ENG	GT Converter2 Version3 Operating Manual for GT Works3	SH-080862ENG
GOT1000 Series Connection Manual (Mitsubishi Products) for GT Works3	SH-080868ENG	GOT1000 Series User's Manual (Extended Functions, Option Functions) for GT Works3	SH-080863ENG
GOT1000 Series Connection Manual (Non-Mitsubishi Products 1) for GT Works3	SH-080869ENG	GT16 User's Manual (Hardware)	SH-080928ENG
GOT1000 Series Connection Manual (Non-Mitsubishi Products 2) for GT Works3	SH-080870ENG	GT16 User's Manual (Basic Utility)	SH-080929ENG
GOT1000 Series Connection Manual (Microcomputer, MODBUS Products, Peripherals) for GT Works3	SH-080871ENG	GT14 User's Manual	JY997D44801C
GOT1000 Series Gateway Functions Manual for GT Works3	SH-080858ENG	GT16 Handy GOT User's Manual (Hardware + Utility, Connection) *A set of two volumes	JY997D41201
GOT1000 Series MES Interface Function Manual for GT Works3	SH-080859ENG	GT10 User's Manual	JY997D24701
GT SoftGOT1000 Version3 Operating Manual for GT Works3	SH-080861ENG		

GOT1000 cables

Product name		Model name	Cable length	Third party products #1	Application	Applicable model #2							
						GT16	GT14	Handy GOT	GT10				
Bus connection cable for QCPU (Q mode)	QCPU extension cable GOT-to-GOT connection cable	GT15-QC06B	0.6m	○	For connection between QCPU and GOT For connection between GOT and GOT	●	-	-	-				
		GT15-QC12B	1.2m			●	-	-	-				
		GT15-QC30B	3m			●	-	-	-				
		GT15-QC50B	5m			●	-	-	-				
		GT15-QC100B	10m			●	-	-	-				
	Long-distance connection cable for QCPU GOT-to-GOT long-distance connection cable	GT15-QC150BS	15m	○	For long-distance (13.2m or more) connection between QCPU and GOT (A9GT-QCNC required) For long-distance connection between GOT and GOT	●	-	-	-				
		GT15-QC200BS	20m			●	-	-	-				
		GT15-QC250BS	25m			●	-	-	-				
		GT15-QC300BS	30m			●	-	-	-				
		GT15-QC350BS	35m			●	-	-	-				
Bus extension connector box		A9GT-QCNC	-	-	Used for QCPU long-distance (13.2m or more) bus connection	●	-	-	-				
Bus connection cable for QnA/ACPU/motion controller CPU (A series)	Large CPU extension cable	GT15-C12NB	1.2m	○	For connection between QnA/ACPU/motion controller CPU (A series, extension base) and GOT	●	-	-	-				
		GT15-C30NB	3m			●	-	-	-				
		GT15-C50NB	5m			●	-	-	-				
		GT15-AC06B	0.6m			●	-	-	-				
		GT15-AC12B	1.2m			●	-	-	-				
		GT15-AC30B	3m			●	-	-	-				
		GT15-AC50B	5m			●	-	-	-				
		GT15-A370C12B-S1	1.2m			○	For connection between motion controller CPU (A series, main base) and GOT	●	-	-	-		
		GT15-A370C25B-S1	2.5m			○	For connection between motion controller CPU (A series, main base) and A7GT-CNB	●	-	-	-		
		GT15-A370C12B	1.2m			○	For connection between motion controller CPU (A series) and GOT	●	-	-	-		
	Small CPU extension cable	GT15-A1SC07B	0.7m	○	For connection between QnAS/AnSCPU/motion controller CPU (A series) and GOT	●	-	-	-				
		GT15-A1SC12B	1.2m			●	-	-	-				
		GT15-A1SC30B	3m			●	-	-	-				
		GT15-A1SC50B	5m			●	-	-	-				
		GT15-A1SC05NB	0.45m			○	For connection between QnAS/AnSCPU/motion controller CPU (A series) and A7GT-CNB	●	-	-	-		
		GT15-A1SC07NB	0.7m			○	For connection between QnAS/AnSCPU/motion controller CPU (A series) and A7GT-CNB	●	-	-	-		
		GT15-A1SC30NB	3m			○	For connection between QnAS/AnSCPU/motion controller CPU (A series) and A7GT-CNB	●	-	-	-		
		GT15-A1SC50NB	5m			○	For connection between QnAS/AnSCPU/motion controller CPU (A series) and A7GT-CNB	●	-	-	-		
		Small CPU long-distance connection cable	GT15-C100EXSS-1			10.6m	○	For long-distance connection between QnAS/AnSCPU/motion controller CPU (A series) and GOT For long-distance connection between A7GT-CNB and GOT *Set of GT15-EXCNC and GT15-C□BS	●	-	-	-	
			GT15-C200EXSS-1			20.6m			●	-	-	-	
	GT15-C300EXSS-1		30.6m	●	-	-			-				
	GOT-to-GOT connection cable	GT15-C07BS	0.7m	○	For connection between GOT and GOT	●	-	-	-				
		GT15-C12BS	1.2m			●	-	-	-				
		GT15-C30BS	3m			●	-	-	-				
		GT15-C50BS	5m			●	-	-	-				
	GOT-to-GOT long-distance connection cable	GT15-C100BS	10m	○	For connection between GOT and GOT	●	-	-	-				
		GT15-C200BS	20m			●	-	-	-				
		GT15-C300BS	30m			●	-	-	-				
	AQJ2HCPU connection cable		GT15-J2C10B	1m	○	For connection between power supply unit (AQJ2-PW) for AQJ2HCPU and GOT	●	-	-	-			
	Bus connector conversion box		A7GT-CNB	-	-	Used for QnA/ACPU long-distance bus connection	●	-	-	-			
Buffer circuit cable		GT15-EXCNC	0.5m	○	Usable as GT15-C□EXSS-1 in combination with GT15-C□BS	●	-	-	-				
Ferrite core set for Q bus cable (two-pack)		GT15-QFC	-	○	Ferrite cores for replacing existing GOT-A900 bus cable with bus cable for GOT1000	●	-	-	-				
Ferrite core set for A bus cable (two-pack)		GT15-AFC	-	○	Ferrite cores for replacing existing GOT-A900 bus cable with bus cable for GOT1000	●	-	-	-				
RS-422 conversion cable		GT16-C02R4-9S	0.2m	○	For connection between RS-422/485 (connector) of GT16 and RS-422 cable (D-sub 9 pins)	●	-	-	-				
		GT16-C02R4-25S	0.2m	○	For connection between RS-422/485 (connector) of GT16 and RS-422 cable (D-sub 25 pins)	●	-	-	-				
RS-485 terminal block conversion unit		FA-LTBGTR4CBL05	0.5m	○	RS-485 terminal block conversion unit	●	-	-	-				
		FA-LTBGTR4CBL10	1m		*With cable for connection between RS-422/485 (connector) of GT16 and RS-485 terminal block conversion unit	●	-	-	-				
		FA-LTBGTR4CBL20	2m		of GT16 and RS-485 terminal block conversion unit	●	-	-	-				
RS-422 cable	QnA/FXCPU direct connection cable Computer link connection cable	GT01-C30R4-25P	3m	-	For connection between QnA/ACPU/motion controller CPU (A series)/FXCPU (D-sub 25-pin connector) and GOT For connection between FA-CNV□CBL and GOT For connection between serial communication unit and GOT For connection between AJ65BT-G4-S3 and GOT	●	●	●*3	●*4				
		GT01-C100R4-25P	10m			●	●	●*3	●*4				
		GT01-C200R4-25P	20m			●	●	●*3	●*4				
		GT01-C300R4-25P	30m			●	●	●*3	●*4				
		GT10-C30R4-25P	3m			-	For connection between QnA/FXCPU (D-sub 25-pin connector) and GOT For connection between serial communication unit (AJ71QC24(N)-R4) and GOT	-	-	-	●*5		
		GT10-C100R4-25P	10m					-	-	-	●*5		
		GT10-C200R4-25P	20m					-	-	-	●*5		
		GT10-C300R4-25P	30m					-	-	-	●*5		
		GT09-C30R4-6C	3m					○	For connection between serial communication unit and GOT For connection between computer link unit and GOT	●*6	●	●*3	●*4
		GT09-C100R4-6C	10m							●*6	●	●*3	●*4
	GT09-C200R4-6C	20m	●*6	●	●*3	●*4							
	GT09-C300R4-6C	30m	●*6	●	●*3	●*4							
	FXCPU direct connection cable FX communication function extension board connection cable	GT01-C10R4-8P	1m	-	For connection between FXCPU (MINI-DIN 8-pin connector) and GOT For connection between FXCPU communication function extension board (MINI-DIN 8-pin connector) and GOT	●	●	●*3	●*4				
		GT01-C30R4-8P	3m			●	●	●*3	●*4				
		GT01-C100R4-8P	10m			●	●	●*3	●*4				
		GT01-C200R4-8P	20m			●	●	●*3	●*4				
		GT01-C300R4-8P	30m			●	●	●*3	●*4				
		GT10-C10R4-8P	1m			-	For connection between FXCPU (MINI-DIN 8-pin connector) and GOT For connection between FXCPU communication function extension board (MINI-DIN 8-pin connector) and GOT *The unit cannot be used with the FX1NC, FX2NC, FX3UC-D/DSS, FX3G.	-	-	-	●*5		
		GT10-C30R4-8P	3m					-	-	-	●*5		
		GT10-C100R4-8P	10m					-	-	-	●*5		
		GT10-C200R4-8P	20m					-	-	-	●*5		
		GT10-C300R4-8P	30m					-	-	-	●*5		
	GT10-C10R4-8PCL	1m	-	-	-			●*5					
	Connector conversion cable for F930→GT1030 replacement	GT10-C10R4-8PC	1m	-	For connection between FXCPU (MINI-DIN 8-pin connector) and GOT For connection between FXCPU communication function extension board (MINI-DIN 8-pin connector) and GOT	-	-	-	●*5				
		GT10-C30R4-8PC	3m			-	-	-	●*5				
		GT10-C100R4-8PC	10m			-	-	-	●*5				
		GT10-C200R4-8PC	20m			-	-	-	●*5				
		GT10-C300R4-8PC	30m			-	-	-	●*5				
	RS-232 cable		GT10-C02H-9SC	0.2m	-	For replacing a F930GOT unit with the GT1030 series unit Converts D-sub 9-pin connector to loose wire (Europe terminal block)	-	-	-	●			
	Q/LCPU direct connection cable Data transfer cable	GT01-C30R2-6P	3m	-	For connection between Q/LCPU and GOT/personal computer (GT SoftGOT1000) (D-sub 9-pin) For connection between personal computer (screen design software) (D-sub 9-pin, female) and GOT (MINI-DIN 6-pin, male)	●	●	-	●*4				
GT10-C30R2-6P		3m	-			-	-	●*5					
GT11H-C30R2-6P		3m	-			-	-	●*5					
GT11H-C30R2-6P		3m	-			-	-	●*5					

GOT1000 cables

Product name		Model name	Cable length	Third party products #1	Application	Applicable model #2				
						GT16	GT14	Handy GOT	GT10	
RS-232 cable	FX communication function extension board connection cable, FX communication function adapter connection cable, Data transfer cable	GT01-C30R2-9S	3m	—	For connection between FXCPU communication function extension board (D-sub 9-pin connector) and GOT/personal computer (GT SoftGOT1000) (D-sub 9-pin) For connection between FXCPU communication function adapter (D-sub 9-pin connector) and GOT For connection between personal computer (screen design software) (D-sub 9-pin, female) and GOT (D-sub 9-pin, female)	●	●	● #3	● #4	
	FX communication function adapter connection cable	GT01-C30R2-25P	3m	—	For connection between FXCPU communication special adapter (D-sub 25-pin connector) and GOT, personal computer (GT SoftGOT1000) (D-sub 9-pin)	●	●	● #3	● #4	
	Computer link connection cable	GT09-C30R2-9P GT09-C30R2-25P	3m 3m	○	For connection between serial communication unit and GOT For connection between computer link unit and GOT For connection between AJ65BT-R2N and GOT (GT09-C30R2-9P only)	●	●	● #3	● #4	
Connector conversion box for Handy GOT		GT16H-CNB-42S GT11H-CNB-37S	— —	— —	Converts Handy GOT connector to RJ45 for terminal block, D-sub connector or Ethernet for each signal type Converts D-sub 37-pin connector to terminal block and D-sub 9-pin connector	—	—	● #7 ● #8	—	
External connection cable	FA device, power supply and operation switch connection cable	GT16H-C30-42P	3m	—	For connection between connector conversion box and Handy GOT	—	—	● #7	—	
		GT16H-C60-42P	6m	—		—	—	● #7	—	
		GT16H-C100-42P	10m	—		—	—	—	● #7	—
		GT16H-C30-32P	3m	—		For connection between CC-Link interface unit and Handy GOT	—	—	● #7	—
		GT16H-C50-32P	5m	—	—		—	● #7	—	
		GT16H-C80-32P	8m	—	—		—	—	● #7	—
		GT16H-C130-32P	13m	—	—		—	—	● #7	—
		GT11H-C30-37P	3m	—	For connection between FA device connection relay cable and GOT		—	—	● #8	—
		GT11H-C60-37P	6m	—			—	—	● #8	—
		GT11H-C100-37P	10m	—		—	—	—	● #8	—
	GT11H-C30	3m	—	For connection between FA device, power supply and operation switches and GOT		—	—	● #8	—	
	GT11H-C60	6m	—			—	—	● #8	—	
	GT11H-C100	10m	—		—	—	—	● #8	—	
	GT11H-C30-32P	3m	—		For connection between CC-Link interface unit and Handy GOT	—	—	● #8	—	
	GT11H-C50-32P	5m	—	—		—	● #8	—		
GT11H-C80-32P	8m	—	—	—		—	● #8	—		
GT11H-C130-32P	13m	—	—	—		—	● #8	—		
FA device connection relay cable	RS-422, power supply and operation switch connection cable	GT11H-C15R4-8P GT11H-C15R4-25P	1.5m 1.5m	— —	For connection between FXCPU and GOT For connection between power supply and operation switches and GOT For connection between A/QnACPU and GOT For connection between power supply and operation switches and GOT	—	—	● #8 ● #8	—	
	RS-232, power supply and operation switch connection cable	GT11H-C15R2-6P	1.5m	—	For connection between QCPU and GOT For connection between power supply and operation switches and GOT	—	—	● #8	—	
Barcode reader connection cable		GT10-C02H-6PT9P	0.2m	—	For connection between barcode reader (D-sub 9-pin, male) and GOT (MINI-DIN 6-pin, male) RS-232	—	—	—	● #5	
External I/O unit connection conversion cable		GT15-C03HTB	0.3m	○	For connection between GOT1000 (external I/O unit) and GOT-A900 external I/O interface unit connection cable (A8GT-C05TK/A8GT-C30TB/user-fabricated cable)	●	—	—	—	
Analog RGB cable		GT15-C50VG	5m	○	For connection between external monitor, personal computer and vision sensor and GOT	●	—	—	—	
USB cable	RS-232/USB conversion adapter for data transfer	GT10-RS2TUSB-5S	—	—	For connection between personal computer (USB) and GOT (RS-232) (Adapter and personal computer are connected with GT09-C30USB-5P.)	—	—	—	● #5	
	Data transfer cable	GT09-C30USB-5P	3m	○	For connection between personal computer (USB) and GOT (USB mini-B) For connection between QnUCPU (USB mini-B) and personal computer (GT SoftGOT1000) For connection between printer and GOT (printer unit)	●	—	●	● #4	
Extension USB waterproof cable		GT14-C10EXUSB-4S GT10-C10EXUSB-5S	1m 1m	— —	For extending the USB port of GOT to the control panel	—	●	—	—	

#1 FA-LTBGTR4CBL□ is developed by Mitsubishi Electric Engineering Company Limited and sold through your local sales office. The other products listed are developed by Mitsubishi Electric System & Service Co., LTD. and sold through your local sales office.
 #2 The applicable connection configuration and cable vary depending on the GOT main unit. For more details, see the GOT1000 Series Handbook and the GOT1000 Series Connection Manual.
 #3 Can be used when used together with the Handy GOT connector conversion box.
 #4 Can be used only with the GT105□ and GT104□.
 #5 Can be used only with the GT1030 and GT1020.
 #6 To connect with RS-422/485 interface of GT16 main unit, an RS-422 conversion cable (GT16-C02R4-9S) is required.
 #7 Can be used only with the GT16 Handy.
 #8 Can be used only with the GT11 Handy.

GOT1000 cables for non-Mitsubishi industrial devices

RS-232 and RS-422 cables are available from every manufacturer. For more details, please see the GOT1000 Series Connection Manual.

Line-up

Features

Function list

Specifications/
External
dimensions

Product list

GOT2000
Series

GOT1000
Series

GOT SIMPLE
Series

MELSOFT
GT Works3

GOT2000/1000/
GOT SIMPLE
Series Product list

MC Works64

GOT SIMPLE Series Product list

GOT SIMPLE (GS21) model name

GS21 07 - W T B D

Code	Screen size	Code	Resolution	Code	Display device	Code	Main unit frame	Code	Power supply
07	7"	W	WVGA	T	TFT color	B	Black	D	24 V DC
10	10"		800 x 480 dots						

GS21 Cost-effective performance

GOT SIMPLE (GS21) Base Units

Category	Model	Screen size	Display section Display color	Panel color	Power	Stocked Item
GS21	GS2110	GS2110-WTBD	10" WVGA	TFT color	24 V DC	S
	GS2107	GS2107-WTBD	7" WVGA	65536 colors		S

For inquiries relating to the status of conforming to various standards and laws (CE, ATEX [to be obtained soon], UL/cUL, Class I Division 2, EAC, KC, KCs [to be obtained soon], and maritime certifications [ABS/BV/DNV GL/LR/NK/RINA]), please contact your local sales office.

- Line-up
- Features
- Function list
- Specifications/
External
dimensions
- Product list
- GOT2000
Series
- GOT1000
Series
- GOT SIMPLE
Series
- MELSOFT
GT Works3
- GOT2000/1000/
GOT SIMPLE
Series Product list
- MC Works64

MC Works64

e-F@ctory's SCADA software

Create an advanced, integrated monitoring system for FA equipment.

The Mitsubishi SCADA software MC Works64 provides a highly functional monitoring control system that works with a wide range of FA equipment, thus helping to achieve solutions for ensuring visualization, analysis and continuous improvement.

■ Enhancement of visibility and operability

It may be difficult to effectively represent equipment monitoring using only 2D graphics. On the other hand, 3D graphics can enhance the visibility with its stereoscopic displays. 3D graphics allow you to have monitor views from various angles. This enables you to know the condition of equipment quickly and accurately, have instinctive monitoring views and make intuitive control.

■ Visualizing energy

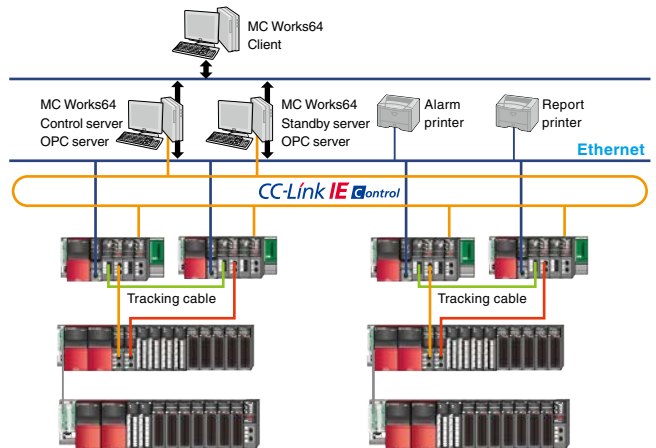
By monitoring energy consumption, energy use can be reduced over time. Energy consumption can be visualized through the integration of Mitsubishi Electric's energy measurement equipment and AX Energy; an energy analysis and visualization tool. The lineup of Mitsubishi Electric's energy-saving equipment, that includes the inverter with enhanced motor control, will reduce energy consumption at your plant.

■ Preventive maintenance

Mitsubishi Electric's MES interface module can be used to collect information on production control. AX Facility can then display and analyze the diagnosis and equipment failure information. These products automatically collect the information on the condition of equipment from a large amount of data, using it for the improvement of: the availability factor, preventive maintenance, fault prediction etc.

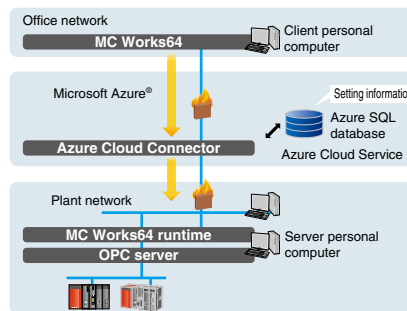
■ Enhancement of reliability

MC Works64 enables you to construct redundant server systems and server-and-client systems. It is possible to utilize two servers, a control server and a standby server, to enhance the reliability of the system and to reduce the communication load on the network. It is possible to embody a configuration suitable for the system size, from a stand-alone system to a large-scale system.

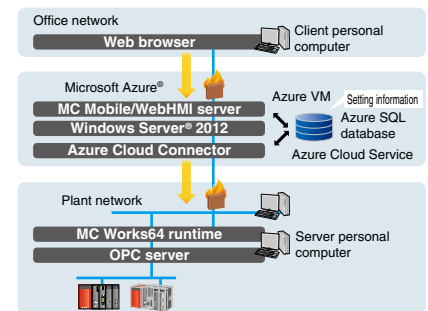


■ Cloud×Microsoft Azure® [Partner product]

Microsoft Azure®, the Cloud service by Microsoft®, is supported. You can store data and server applications on the Cloud to construct a flexible system.



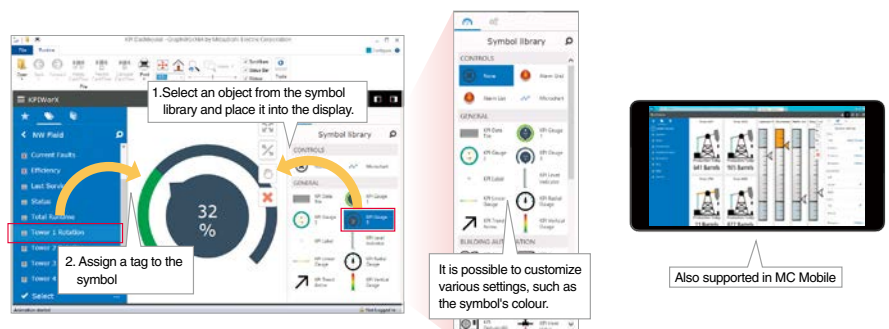
1. How to use Microsoft Azure® as a communication route
Merit You can monitor a subject easily and safely.



2. How to have a server application on Microsoft Azure®
Merit You can save the time for managing server PC.

■ KPIWorX

During runtime mode, it is possible to create a personalized monitoring display. There are a variety of widgets available (device symbols, alarms, trends etc.) that can be arranged on the screen as desired in order to display the necessary data. After creating these displays it is possible to save them and reload them at a later time; either for viewing or further customization.



Line-up

Features

Function list

Specifications/
External
dimensions

Product list

GOT2000
SeriesGOT1000
SeriesGOT SIMPLE
SeriesMELSOFT
GT Works64GOT2000/1000/
GOT SIMPLE
Series Product list

MC Works64

High-speed, reliable data collection
X
MC Historian

A high performance and high reliability data logger that can collect 100,000 points per second* (by comparison, the collection performance of the TrendWorX64 is 20,000 points per second*).
It is also possible to log the result of a calculation based upon a user-defined formula. Long term logging is possible thanks to a high-compression logging feature. High reliability can be ensured through redundancy and distributed processing.
*Depends on the system configuration.

Energy monitoring
X
AX Energy

It is possible to visualize and analyze CO₂ emissions and the consumption of energy, including electricity and gas, based on plant, facility and device leading to energy savings and cutting costs. You can express daily and monthly energy consumption in the form of a graph, and you can easily switch their views.
You can also use Microsoft® Excel® to create a form in the format of your choice.

Preventive maintenance
X
AX Facility

It is possible to use prior knowledge on equipment faults to create a resource that improves recovery times. It is possible to analyze the causes of facility troubles together with their frequency to know their trends, providing aid for preventive maintenance. You can use Microsoft® Excel® to create a form in the format of your choice from the result of analysis.

Quality management
X
AX Quality

AX Quality creates management charts for the analysis of quality control and process capacity, reducing the labor of onsite operators and managers. AX Quality provides SQC/SPC data analysis, SQC charts, reports, and SPC rule-based alarms.

Mobile monitoring
X
MC Mobile (optional package)

MC Mobile is the mobile software that monitors important applications of a building or a plant. It is easy to set up and use MC Mobile efficiently. The user can have access to, and monitor, important data anytime, anywhere and from any terminal. The manager, the engineer, the maintenance worker and the operator can: access and monitor data in real-time, view data on alarms, trends, energy, quality, production information etc.
MC Works64 supports server and client systems and redundancy.
MC Mobile is compatible with mobile terminals using the following technologies; Microsoft® Windows Phone® and Surface®, Apple® iPhone® and iPad®, Android® phones and tablets, or HTML5.

Report
X
ReportWorX Lite (optional package)

Data from databases can be extracted and used to create various types of reports including: daily, weekly, monthly and yearly reports. This software can create a form in the Microsoft® Excel® format and can also save files in HTML and PDF formats. In addition, you can register multiple form format templates. MC Works64 includes a simplified version of this software called ReportWorX Express that supports OPC, TrendWorX64 Logger Database, MC Historian, AlarmWorX64 Logger Database, Energy Star and AX Quality. Among them, ReportWorX Lite (optional package) is recommended.

• Microsoft, Windows, Microsoft Azure, Excel, Surface, Windows phone, and Windows Server are the registered trademarks or the trademarks of Microsoft Corporation in the US and in each country.
• Google and Android are the registered trademarks or the trademarks of Google Inc.
• Apple, iPhone and iPad are the registered trademarks or the trademarks of Apple Inc. in the US.
• Ethernet is the trademark of Xerox Corporation in the US.

Line-up

Features

Function list

Specifications/
External
dimensions

Product list

GOT2000
Series

GOT1000
Series

GOT SIMPLE
Series

MEISOFT
GT Works3

GOT2000/1000/
GOT SIMPLE
Series Product list

MC Works64