



# TRIRANGA WALLS

THE WALL OF INDIA

# First Time In India

## One Piece Precast Compound Wall

**Hight**

1828 mm ( 6 Feet )



**Hight**

2438 mm ( 8 Feet )



**Hight**

3658 mm ( 12 Feet )



## About Us

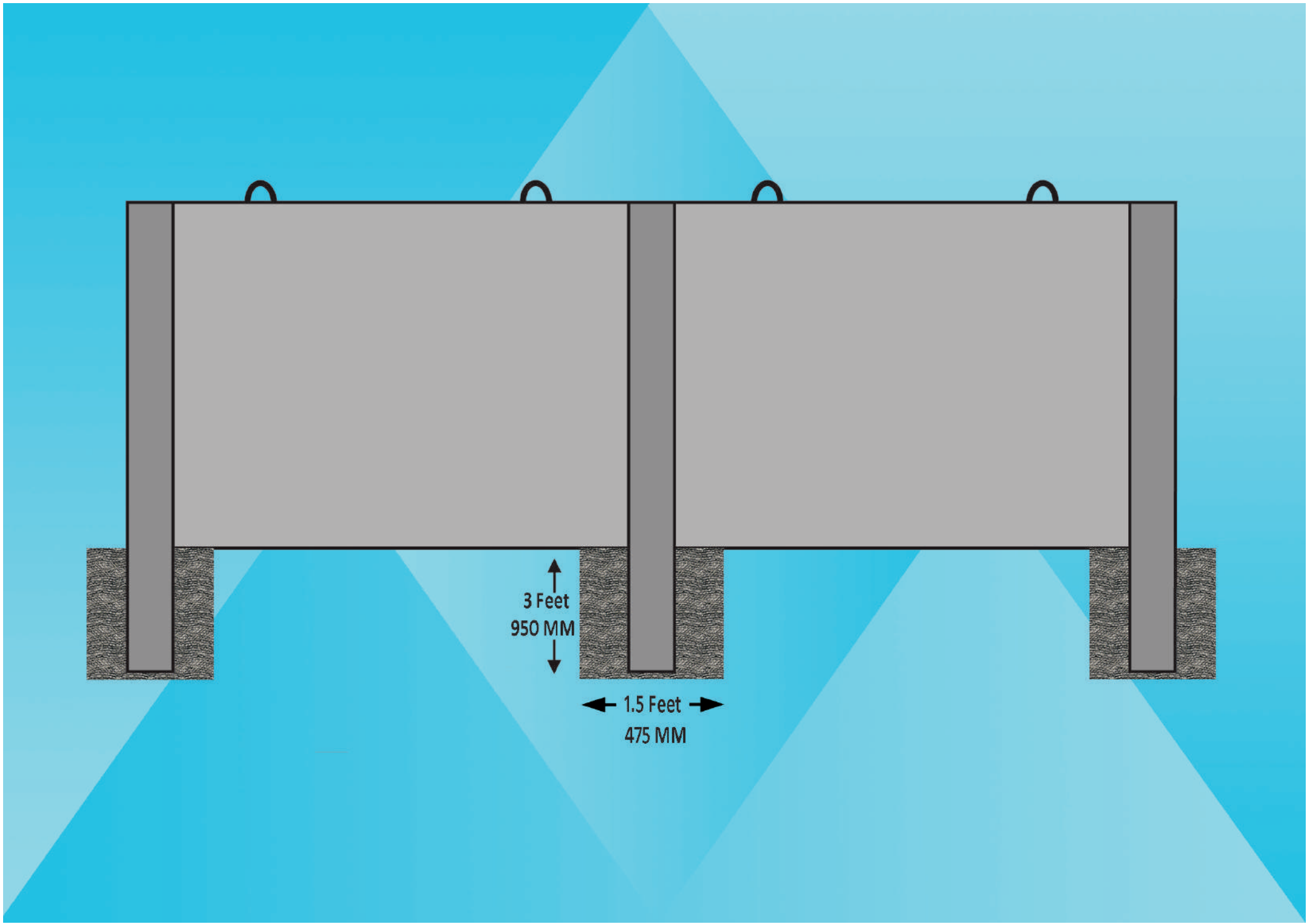
Mr. Rasikbhai Sakhiya has established Triranga Cement Product in 1998. With his innovative efforts he has designed Precast Compound Wall and shown it to this world. With his dedicated efforts Triranga Group has spread its wings in entire country and become Pioneer of Precast Compound wall. In the year 2014 he established Triranga Home at Virpur, a unit of Triranga Group. With his innovative vision and more than 20 years of experience He has introduced another product which are One Piece Precast RCC Compound wall with One Piece Casting Technology. Under his guidance Triranga Walls is doing PAN India Business with high growth rate

## Product Application

Industrial Compound Wall  
Residential Society Compound Wall  
Farm House Boundary Wall

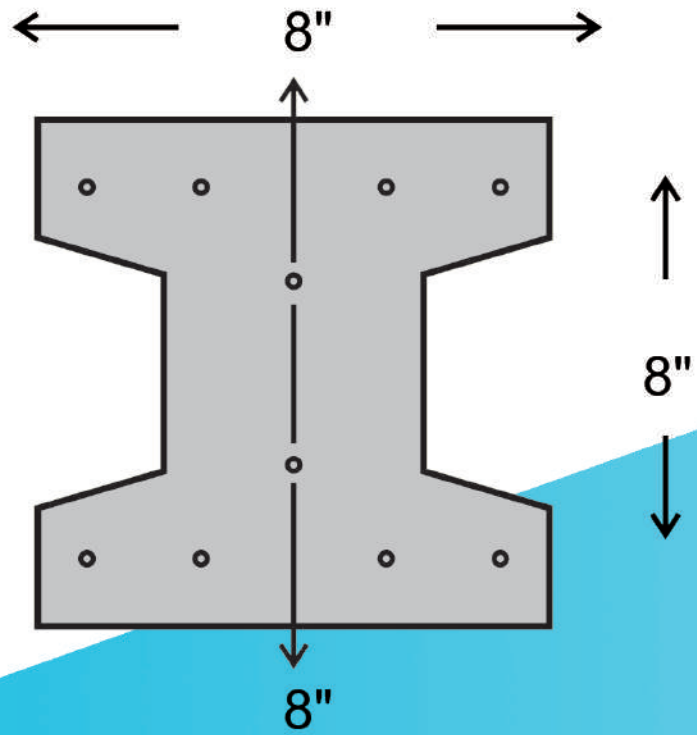
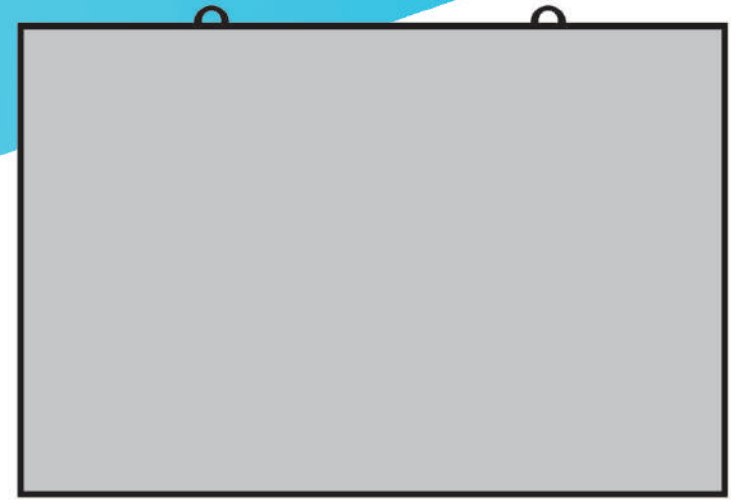
## Characteristic

One Piece Casting  
TMT Steel Reinforcement  
Ready-Mix Concrete  
Speedy Installation  
Re-Installable  
Long Durability



**Plank:**

- Length : 3352 mm (11 Feet)
- Height : 1828 mm & 2438 mm (6 Feet & 8 Feet)
- Thickness : 75mm (3 Inches)
- Reinforcement : TMT Steel Bars of 8mm
- Concrete : Ready Mix M-25 Grade



**Column:**

- Size : 200mm x 200mm (8x8 inches)
- Length : Depends on customer's requirement
- Reinforcement : 10 Nos, 4mm PC Steel per Column
- Concrete : Ready Mix M-30 Grade

# Our Valued Clients

Kutch Chemical Industries Ltd. (Anjar)  
Eurotech Design Systems Pvt.Ltd. (Kutch)  
ECR Buildtech Pvt.Ltd. (New Delhi)  
Ruchi Petrochemicals Ltd. (Bharuch)  
Reliance Industries Ltd. (Hajira)  
Minda Projects Ltd. (New Delhi)  
K.P. Energy Ltd.(Surat)  
Jaquar & Co. (Kutch)  
Filter Machiens Pvt.Ltd. (Vapi)  
Ranka Ispat Pvt.Ltd. (Detroj)  
GSFC Ltd. (Jamnagar)  
Sarvoday School (Rajkot)  
Multivision Pvt.Ltd. (Ahmedabad)  
Swaminarayan Gurukul (Jamnagar)  
Sanghi Industries Ltd.(Kutch)  
L. J. Medical College (Ahmedabad)



## Head Office

Near Charakhdi Patiya, National Highway 8-B, Virpur, Dist-Rajkot (Gujarat)

Vatsalbhai Sakhiya

98795 83348

92656 36825

Ankurbhai Pachani

98337 95075

92656 84122

## Our Production Units

### Karnataka

Triranga Walls  
Behind Punjab National,  
Bank , Nr. Toyota circle,  
Bidadi industrial area,  
Village- Bidadi  
Dist- Ramanagara 562109  
( **Bengaluru** )

Harshbhai 63533 04338

Narenbhai 63533 55272

### Telangana

Triranga Walls  
Kothur Penjerla,  
Main Road Touch,  
Opp Ramdev Tiles  
Hardware Store,  
Kothur - 509228  
( **Hyderabad** )

Jaydeepbhai 63513 54495

Parthbhai 63533 05033

### Gujarat

Triranga Walls  
Near Charakhdi  
Patiya, NH 8-B,  
Virpur,Dist-Rajkot  
360380 (**Gujarat**)

Ankitbhai 75750 83348

Dilipbhai 99370 09918

### Chhattisgarh

Triranga Walls  
Jorapali Highway,  
Raigarh 496001  
( **Raigarh** )

Rasikbhai 98252 83348

Dilipbhai 99370 09918

## Upcoming Production Units

### Haryana



sales@trirangawalls.com  
trirangawalls@gmail.com

### Maharashtra

### Uttar Pradesh



www.trirangawalls.com  
www.trirangawalls.in