



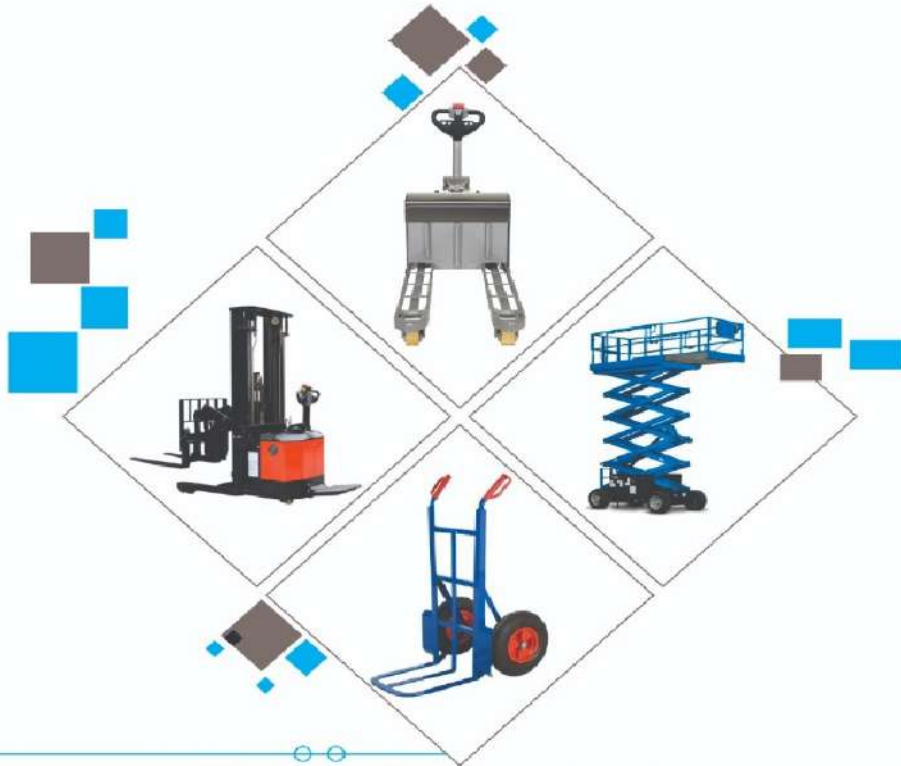
MKD33b-00-00-09.07.09



Globus[®]
Quality Matters...

INDUSTRIAL PRODUCTS SOLUTIONS

A HOUSE FOR TOTAL SOLUTION OF MATERIAL HANDLING



TARUN SHARMA : 9829054194, 8955498000

H.O.: 3/194, Jawahar Nagar, Jaipur-302004

Off.: 24-25, JDA Market, Riddhi Siddhi Chouraha Opp. Mangalam Electronic Mall, Jaipur-302018

B.O.: Khasra No. 876/2, 37 Milestone, Hero Honda Chowk, Gurgaon-122004, Opp. Traffic Police Station

industrialsolutions9@gmail.com www.globusequipment.com

This catalogue is issued to provide outline information only & is not deemed to form part of an offer or contract. Our policy is of continuous improvement & we reserve the right to change details without prior notice.

Email: industrialsolutions9@gmail.com Website: www.globusequipment.com



MANUAL RANGE



HAND PALLET TRUCK

Model : NK25

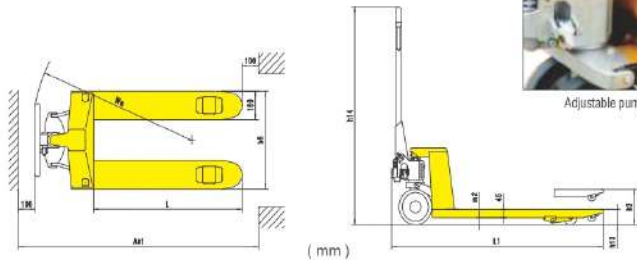


1KG=2.205LB 1INCH=25.40MM



Wheels : Nylon / Polyurethane / Cast Iron

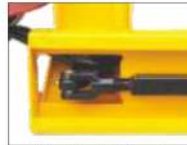
Model		NK25
Capacity	Q(kg)	2500
Lowered fork height	h ₀ (mm)	85
Steering wheel	mm	φ200
Fork wheel single	mm	φ80x93
Fork wheel tandem	mm	φ80x70
Max. lift height	h ₁ (mm)	200
Total height	h ₂ (mm)	1224
Overall length	l ₁ (mm)	1533/1603
Fork length	l ₂ (mm)	1150/1220
Width overall forks	b ₁ (mm)	520/550/685
Ground clearance, centre of wheelbase	n ₁ (mm)	40
Aisle width for pallets 1000x1200 crossways	A ₁ (mm)	1733/1803
Aisle width for pallets 800x1200 lengthways	A ₂ (mm)	1783/1803
Turning radius	W ₁ (mm)	1266/1336
Service weight	kg	60-75



Remark: Special size fork width and length can be made according to customer's requirement.



Adjustable pump cap



Adjustable straight tappet



Option: fully rubber wrapped handle

HAND PALLET TRUCK WITH BRAKE SYSTEM

Model : NK25B (Brake)

Advantages:

- Hand Pallet Truck with brake system can conveniently seize the truck and navigate ramp.
- Hand Pallet Truck with PU (Polyurethane) wheel only.
- Suitable for epoxy coating floor.



1KG=2.205LB 1INCH=25.40MM

Model		NK25B
Capacity	Kg	2500
Max. Lift height	mm	200
Lowered fork height	mm	85
Fork length	mm	1150
Fork width	mm	160
Width over the fork	mm	550 / 685
Wheels		PU (Polyurethane)
Steering wheel	mm	φ 200
Fork wheel single	mm	φ 80
Ground clearance	mm	40
Total height	mm	1224
Overall length	mm	1533
Turning radius	mm	1266
Service weight	kg	60-75

FULLY STAINLESS STEEL HAND PALLET TRUCK

Model : NKSS25 / NKSS25NY



- Widely used in carrying solvents & chemicals.
- Can work in very low temperature conditions, e.g. to deliver goods into and out of cold stores.
- It is made of 100% Stainless Steel material and components of grade 302/304/1Cr13/2Cr13.



Model	Unit	NKSS25	NKSS25NY
Basic Capacity	kg	2500	2500
Lift height	mm	200	200
Lowered Fork height	mm	85	85
Fork length	mm	1150	1150
Fork outer width	mm	550	550
Load Centre	mm	600	600
Overall length of equipment	mm	1533	1533
Lift / stroke	no	12	12
Outer turning radius	mm	1266	1266
Steering wheel	mm	φ 200	φ 200
Fork wheel	mm	φ 74	φ 74
Wheels type		Polyurethane	Nylon
Service weight	kgs	75	75

SEMI STAINLESS STEEL HAND PALLET TRUCK

Model : NKSSS25 / NKSSS25NY

- Widely used in pharmaceuticals & similar industries.
- Can work in very low temperature conditions, e.g. to deliver goods into and out of cold stores.
- In this Hand Pallet Truck, Body frame and handle are of Stainless Steel 304 grade, rest all parts are galvanized.



Model	Unit	NKSSS25	NKSSS25NY
Basic Capacity	kg	2500	2500
Lift height	mm	200	200
Lowered Fork height	mm	85	85
Fork length	mm	1150	1150
Fork outer width	mm	550	550
Load Centre	mm	600	600
Overall length of equipment	mm	1533	1533
Lift / stroke	no	12	12
Outer turning radius	mm	1266	1266
Steering wheel	mm	φ 200	φ 200
Fork wheel	mm	φ 74	φ 74
Wheels type		Polyurethane	Nylon
Service weight	kgs	75	75

LOW PROFILE HAND PALLET TRUCK

Model : NKLP10

- 1T Cap. lowered fork height - 35mm.
- Steel fork rollers.



1KG=2.205LB 1INCH=25.40MM

Model	NKLP10	
Capacity	Q(kg)	1000
Lowered fork height	h ₀ (mm)	35
Steering wheel	mm	φ150
Fork wheel single	mm	-
Fork wheel tandem	mm	φ35X60
Max. lift height	h ₁ (mm)	105
Total height	h ₂ (mm)	1174
Overall length	l ₁ (mm)	1533/1603
Fork length	l ₂ (mm)	1150
Width overall forks	b ₁ (mm)	550
Ground clearance, centre of wheelbase	m ₁ (mm)	14
Aisle width for pallets 1000x1200 crossways	A ₁ (mm)	1733/1803
Aisle width for pallets 800x1200 lengthways	A ₂ (mm)	1783/1803
Turning radius	W ₁ (mm)	1266/1336
Service weight	kg	65-80

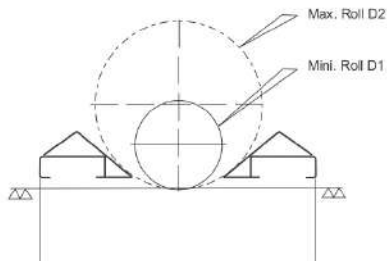
PAPER ROLL VERSION PALLET TRUCK

Model : NKPRV10



1KG=2.205LB 1INCH=25.40MM

Model	NKPRV10	
Capacity	(kg)	1000
Diameter of bale	(mm)	φ700~φ1200
Fork length	(mm)	1150
Max width overall forks	(mm)	965
Steering wheel	(mm)	φ200
Fork wheel	(mm)	φ80
Weight	(kg)	135



ROUGH TERRAIN HAND PALLET TRUCK

Model : NKR-TERRAIN15YEL

- Special for building site



1KG=2.205LB 1INCH=25.40MM

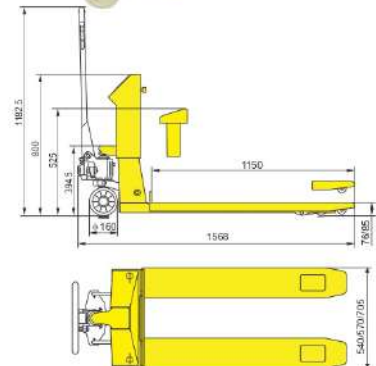
Model	NKR-TERRAIN15YEL	
Capacity	(kg)	1500
Lowered fork height	(mm)	70
Total lift height	(mm)	240
Height of handleless	(mm)	734
Total height	(mm)	1298
Total width	(mm)	1605
Fork length	(mm)	800
Max width overall forks	(mm)	740
Least width overall forks	(mm)	226
Steering wheel	(mm)	φ250x60
Fork wheel	(mm)	φ380x114
Weight	(kg)	192

WEIGHING SCALE PALLET TRUCK

Model : NKWS20



- Mobile pallet truck with scale combined two major functions for pallet truck/scale, allows you to weigh cargo whatever, wherever, whenever you want.
- Power supply with rechargeable battery.
- Keypad and automatic tare functions.
- 1.2inches, super-large and bright LED display in solid state to be strike-free.
- Available in pounds or kilograms.
- A/D velocity: 27/s, a faster speed of weighing, more correct.
- Various functions: with extended functions as weight-checking, counting, etc., to satisfy different needs of customers.
- Conforms to EU's ROHS standard.
- Calibrated by Govt. Authorities.



1KG=2.205LB 1INCH=25.40MM

Model	NKWS20	
Capacity	(kg)	2000
Lowered fork height	(mm)	85
Total lift height	(mm)	175
Fork length	(mm)	1150
Width overall forks	(mm)	540
Steering wheel	(mm)	φ160
Fork wheel	(mm)	φ70
Power	Ni MH rechargeable battery	
Max deviation (weight)	(kg)	0.5
Max. deviation (rate)	(%)	±1%
Service weight	(kg)	135

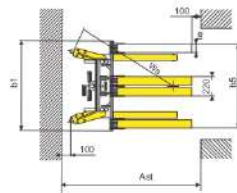
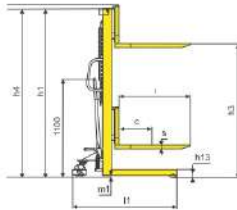
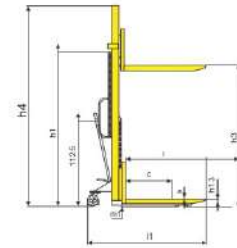
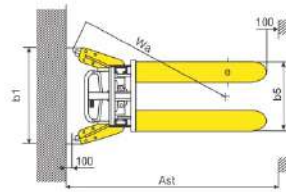
All products are  certified



MANUAL STACKER

Model : NKMS1016/ NKMS1025/ NKMS1516


- Robust Steel profile construction. ● Lifting function operated by foot and hand controls.
- Allow the operator to work without having to perform extreme body movements.



ADJUSTABLE FORK STACKER

Model : NKMSA1016
NKMSA1516

Model	Unit	NKMS1016	NKMS1025	NKMS1516	NKMSA1016	NKMSA1516	
Load Capacity / Rated Load	Q	kg	1000	1000	1500	1000	1500
Load Centre Distance	C	mm	600	600	600	600	600
Height, Mast Lowered	h1	mm	2080	1838	2080	2085	2090
Max. Lift Height	h3	mm	1600	2500	1600	1600	1600
Height, Mast Extended	h4	mm	2080	2925	2080	2165	2150
Lowered fork height	h13	mm	90	90	90	90	90
Overall length	l1	mm	1665	1665	1665	1380	1380
Overall width	b1	mm	755	860	755	1000	1000
Fork Dimensions	s x e x l	mm	61x170 x1150	61x170 x1150	61x170 x1150	30 x100 x1150	30 x100 x1150
Distance between Fork-Arms	b5	mm	550	550	550	950	950
Ground Clearance, Laden, below mast	m1	mm	25	25	25	25	25
Aisle Width for Pallets, 1000 x 1200 Crossways	Ast	mm	2112	2112	2112	1915	1915
Aisle Width For Pallets 800x1200 Lengthways	Ast	mm	1945	1945	1945	1910	1910
Turning Radius	Wa	mm	1380	1380	1380	1235	1235
Lift Speed, Laden/Unladen		mm/s	25	25	25	25	25
Lowering Speed, Laden/Unladen		mm/s	Manual Control	Manual Control	Manual Control	Manual Control	Manual Control
Net Weight		Kg	230	276	245	250	255
Wheel			Nylon	Nylon	Nylon	Nylon	Nylon

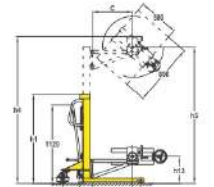
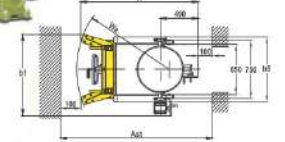
All products are  certified



MANUAL DRUM STACKER

Model : NKYTD35

Model	Unit	NKYTD35
Load Capacity	kg	350
Lifting Height	mm	1945
Overall Length	mm	1520
Overall Width	mm	1050
Overall Height	mm	2100
Net Weight	kg	235



PARROT BEAK ATTACHEMENT

Model : PARROTBEAK-1DRUM



Close-up of the drum being lifted



DRUM PALLETIZER

Model : NKDP350YEL



1KG=2.205LB 1INCH=25.40MM

Model	NKDP350YEL	
Basic Capacity	(kg)	350
Lift height	(mm)	300
Front wheel	(mm)	φ 150 x50
Rear Wheel	(mm)	φ 125 x50
Wheel Type	(mm)	PU (Polyurethane)
Overall Size (LxWxH)	h ₁ (mm)	1230 / 920 / 1120
Leg Length	h ₂ (mm)	690
Leg Width	h ₃ (mm)	1050
Lifting	h ₄ (mm)	Hydraulic
Net Weight	l ₁ (mm)	50

- Features : ● Can be used for Plastic & Steel both drum. ● Wheel locking arrangement. ● Hydraulic Lifting.

DRUM TROLLEY

Model : NKDT03



- Easily and quick lift drums without hydraulic or electric connections.

SEMI-ELECTRIC STACKER

Model : NKSES-III-1030 / NKSES-III -1530

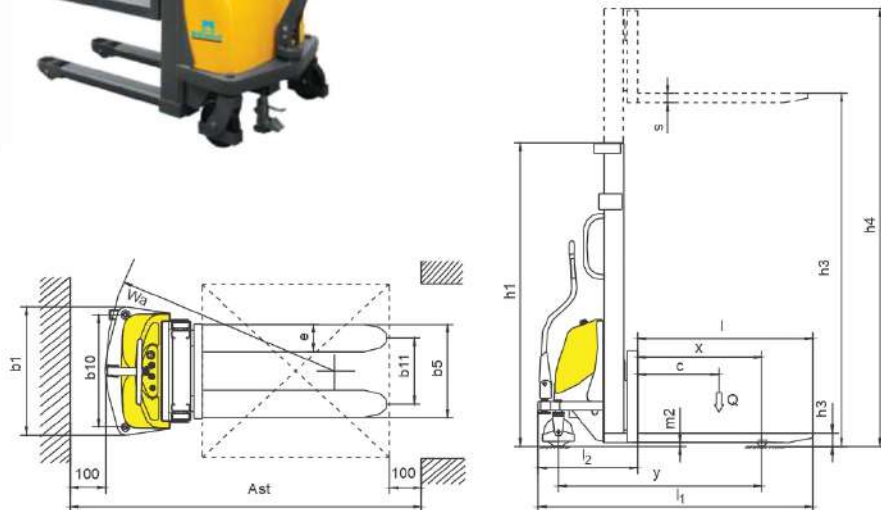


1KG=2.205LB 1INCH=25.40MM

Advantages:

- Handle-caster chain assist steering system greatly reduces the labor intensity.
- Equipped with explosion-proof valve, against of sudden drop of forks and prevent operator from harm.
- Over-discharge protection device greatly prolongs the battery life time.
- Chain connect side wheel and handle, easy for steering.
- Easy operating foot brake.

Model	Overall Forks	
	NKSES-III-1030	NKSES-III-1530
Load capacity	Q(kg)	1000 1500
Load centre distance	c(mm)	600 600
Load distance, centre of drive axle to fork	x(mm)	770 770
Tyre size, front	mm	φ180x50 φ180x50
Tyre size, rear	mm	φ98x82 φ98x82
Wheels, number front rear(x=driven wheels)		2/2 2/2
Height, mast lowered	h ₁ (mm)	2090 / 2340
Max. lift height	h ₂ (mm)	3000 / 3500
Height, mast extended	h ₃ (mm)	3560 / 4060
Overall length	l ₁ (mm)	1678 1740
Length to face of forks	l ₂ (mm)	608 670
Overall width	b ₁ (mm)	800 800
Fork dimensions	s/e/f(mm)	60/170/1150 60/170/1150
Width overall forks	b ₂ (mm)	580 580
Aisle width for pallets 800x1200 lengthways	A ₁ (mm)	2267 2347
Turning radius	W ₁ (mm)	1425 1505
Lift speed, laden/unladen	m/s	0.07/0.09
Lowering speed, laden/unladen	m/s	0.15/0.12 0.15/0.12
Service brake		mechanical mechanical
Battery voltage, nominal capacity K	V/Ah	12/120 24/170
Battery weight	kg	45 95
Battery dimensions l/w/h	mm	380x170x250 380x170x250
Service weight (with battery)	kg	445/495 480/550



SEMI-ELECTRIC STACKER WITH STRADDLE LEGS & ADJUSTABLE FORK



Model :
NKSESA-III-1530YEL /
NKSESA-III-1535YEL

1KG=2.205LB 1INCH=25.40MM

Model	NKSESA-III-1530YEL		NKSESA-III-1535YEL
	Capacity	Q(kg)	1500
Load centre distance	c(mm)	600	600
Load distance, centre of drive axle to fork	x(mm)	800	800
Lowered fork height	h ₁ (mm)	70	70
Max. lift height	h ₂ (mm)	3000 / 3500	3000 / 3500
Height, mast lowered	h ₁ (mm)	2145 / 2395	2145 / 2395
Height, mast extended	h ₃ (mm)	3552 / 4052	3552 / 4052
Fork dimensions	s/e/f(mm)	30/100/(1150)	30/100/(1150)
Overall width	b ₁ (mm)	1132-1532	1132-1532
Width overall forks	b ₂ (mm)	200/800	200/800
Aisle width for pallets 800x1200 lengthways	A ₁ (mm)	2142	2212
Turning radius	W ₁ (mm)	1340	1410
Lift speed,laden/unladen	m/s	0.08/0.1	0.08/0.1
Lowering speed,laden/unladen	m/s	0.15/0.12	0.15/0.12
Battery voltage,nominal capacity K5	V/Ah	12/200	24/200
Battery weight	kg	60	120
Battery dimensions l/w/h	mm	250x190x295	250x190x295
Service weight (with battery)	kg	445/495	480/550



- Compact design with strong European steel construction.
- Simple and convenient lifting operational system.
- Light and easy manual steering system, equipped with a parking brake.
- Smooth control of precise lifting and lowering.
- Special design are available according to customers' requirements.

Remark:

SESA series are with straddle legs & adjustable forks.

