

MVE-D

» II 2GD Ex d IIB T4 Ex tD A21 IP66 T135°C
 » Ex d IIB T4 Gb
 » Ex tD A21 IIIC T135°C Db IP66
 » Class I Div.1 groups C, D Class II Div.1 groups E, F, G T4 IP66

MVE-D5

» II 2G Ex d IIB T3
 » Ex d IIB T3 Gb
 » Class I Div.1 groups C, D T3



MVE-D EXPLOSION-PROOF



* Image referred to size 78

2 POLES - 3000/3600 rpm

Wm (kgcm)		Model		Centrifugal Force (kg)		Weight (kg)		ELECTRICAL SPECIFICATIONS							
50Hz	60Hz	50Hz	60Hz	50Hz	60Hz	50Hz	60Hz	Input Power (kW)		Nominal Current A max. (Y)		Ia / In		Cable Gland	
50Hz	60Hz	50Hz	60Hz	50Hz	60Hz	50Hz	60Hz	50Hz	60Hz	50Hz (400V)	60Hz (460V)	50Hz	60Hz	Metric	
16	11	MVE 800/3D	MVE 800/36D	794	800		29	0.7	0.9	1.4	1.5	3.8	3.8	M20	
27	19	MVE 1300/3D	MVE 1300/36D	1,355	1,365		30	1.3	1.4	2.4	2.2	5.2	5.0	M20	
31	22	MVE 1600/3D	MVE 1600/36D	1,601	1,608	60	60	1.6	1.6	2.9	2.6	5.9	6.2	M25	
37	28	MVE 2000/3D	MVE 2000/36D	2,027	1,997	61	60	2.0	2.1	3.7	3.4	6.5	6.4	M25	
46	32	MVE 2300/3D	MVE 2300/36D	2,302	2,306	62	60	2.4	2.4	4.4	3.9	6.0	6.3	M25	
68	44	MVE 3200/3D	MVE 3200/36D	3,252	3,176	111	110	2.9	2.9	5.3	4.6	8.3	8.2	M32	
79	56	MVE 4000/3D	MVE 4000/36D	4,033	4,052	115	111	2.9	2.9	5.3	4.6	8.5	9.7	M32	

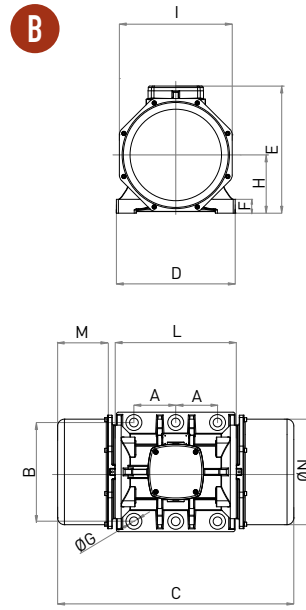
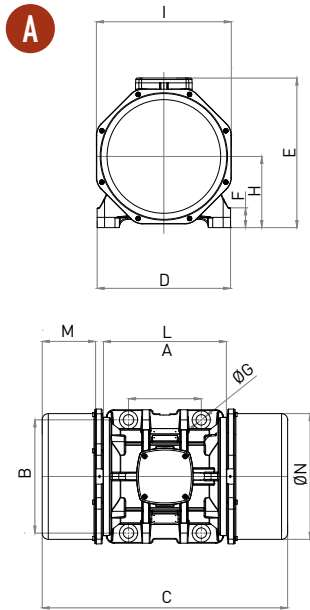
4 POLES - 1500/1800 rpm

Wm (kgcm)		Model		Centrifugal Force (kg)		Weight (kg)		ELECTRICAL SPECIFICATIONS							
50Hz	60Hz	50Hz	60Hz	50Hz	60Hz	50Hz	60Hz	Input Power (kW)		Nominal Current A max. (Y)		Ia / In		Cable Gland	
50Hz	60Hz	50Hz	60Hz	50Hz	60Hz	50Hz	60Hz	50Hz	60Hz	50Hz (400V)	60Hz (460V)	50Hz	60Hz	Metric	
57	39	MVE 700/15D	MVE 700/18D	714	712		36	0.6	0.7	1.3	1.4	3.0	3.2	3/4" NPT	
89	57	MVE 1100/15D	MVE 1100/18D	1,114	1,028	44	39	0.6	0.8	1.5	1.7	3.8	3.8		
109	77	MVE 1400/15D	MVE 1400/18D	1,364	1,388	68	67	0.9	1.1	1.7	1.8	4.0	4.0		
137	92	MVE 1700/15D	MVE 1700/18D	1,725	1,664	70	68	1.1	1.3	2.2	2.1	4.7	4.5		
187	137	MVE 2400/15D	MVE 2400/18D	2,358	2,485	76	70	1.6	1.9	3.0	3.2	4.9	4.9		
203	136	MVE 2500/15D	MVE 2500/18D	2,557	2,454	98	92	1.8	2.0	3.4	3.4	6.0	6.1		
249	170	MVE 3000/15D	MVE 3000/18D	3,124	3,071	106	95	1.9	2.3	3.7	3.8	6.5	6.6		
307	205	MVE 3800/15D	MVE 3800/18D	3,853	3,704	138	127	2.2	2.6	4.1	4.1	6.8	6.8		
307	205	MVE 3810/15D	MVE 3810/18D	3,853	3,704	140	129	2.2	2.6	4.1	4.1	6.8	6.8		
193	193	MVE 3811/15D	MVE 3811/18D	2,425	3,492	129	129	2.2	2.6	4.1	4.1	6.8	6.8		
343	241	MVE 4300/15D	MVE 4300/18D	4,312	4,359	143	132	2.5	3.0	5.7	5.8	7.0	7.2		
437	304	MVE 5500/15D	MVE 5500/18D	5,495	5,495	201	198	3.6	3.4	6.5	6.6	7.1	7.0		

**UP TO SIZE 50 (INCLUDED)**60Hz masses = 50Hz masses adjusted at 70%
Except for model MVE 1100/15D - 1100/18D**ABOVE SIZE 50 (NOT INCLUDED)**

Specific masses for 60Hz

To convert kg into Newton: **N = 9.81 · kg**



DIMENSIONAL SPECIFICATIONS (mm)

Model		Drawing	Size	C		M		A	B	Ø G	Holes N°	D	E	F	H	I	L	N
50Hz	60Hz			50Hz	60Hz													
MVE 800/3D	MVE 800/36D	A	50	335	65	120	170	17	17	4	209	240	27.5	103	195	205	166.5	
MVE 1300/3D	MVE 1300/36D	A	50	335	65	120	170	17	17	4	209	240	27.5	103	195	205	166.5	
MVE 1600/3D	MVE 1600/36D	A	60	478	105	140	190	17	17	4	234	267	31	124	238	234	222	
MVE 2000/3D	MVE 2000/36D	A	60	478	105	140	190	17	17	4	234	267	31	124	238	234	222	
MVE 2300/3D	MVE 2300/36D	A	63	478	105	140	190	22	22	4	234	267	31	124	238	234	222	
MVE 3200/3D	MVE 3200/36D	A	75	569	115	155	255	23.5	23.5	4	300	321	35	147	285	298	265	
MVE 4000/3D	MVE 4000/36D	A	75	569	115	155	255	23.5	23.5	4	300	321	35	147	285	298	265	

DIMENSIONAL SPECIFICATIONS (mm)

Model		Drawing	Size	C		M		A	B	Ø G	Holes N°	D	E	F	H	I	L	N
50Hz	60Hz			50Hz	60Hz													
MVE 700/15D	MVE 700/18D	A	50	405	100	120	170	17	17	4	209	240	28	103	195	205	166.5	
MVE 1100/15D	MVE 1100/18D	A	50	467	405	131	100	120	170	17	4	209	240	28	103	195	205	166.5
MVE 1400/15D	MVE 1400/18D	A	60	478	105	140	190	17	17	4	234	267	31	124	238	234	222	
MVE 1700/15D	MVE 1700/18D	A	63	478	105	140	190	22	22	4	234	267	31	124	238	234	222	
MVE 2400/15D	MVE 2400/18D	A	63	538	135	140	190	22	22	4	234	267	31	124	238	234	222	
MVE 2500/15D	MVE 2500/18D	A	70	526	115	155	225	22	22	4	274	309	35	140	255	264	236	
MVE 3000/15D	MVE 3000/18D	A	70	590	147	155	225	22	22	4	274	309	35	140	255	264	236	
MVE 3800/15D	MVE 3800/18D	A	75	619	140	155	255	23.5	23.5	4	300	321	35	147	285	304	265	
MVE 3810/15D	MVE 3810/18D	B	77	619	140	105	248	22	22	6	300	321	35	147	285	304	265	
MVE 3811/15D	MVE 3811/18D	B	77	619	140	105	248	22	22	6	300	321	35	147	285	304	265	
MVE 4300/15D	MVE 4300/18D	A	75	619	140	155	255	23.5	23.5	4	300	321	35	147	285	304	265	
MVE 5500/15D	MVE 5500/18D	A	80	613	135	180	280	26	26	4	330	370	50	176	334	304	311	

NOTE: Dimensions with coarse degree of accuracy related to UNI 22768/1

This information is provided without warranty, representation, inducement or licence of any kind. It is accurate to the best OLI knowledge or is obtained from sources believed to be accurate. OLI therefore assumes no legal responsibility.