



BN Series

Aluminum Butterfly Valves



IS : 13095



CM/L : 7200069708

AUTO CARE

INDUSTRIES

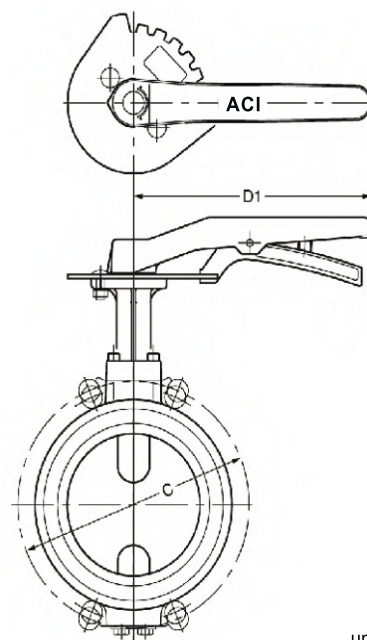
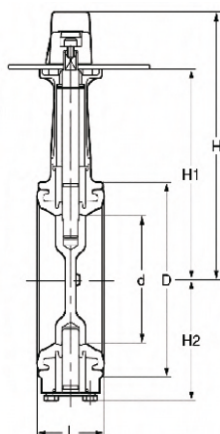
L-PN10 BNME (SIZE: 1½ " to 8")

L-PN16 BNME (SIZE: 1½ " to 8")




IS : 13095

 CML : 7200069708

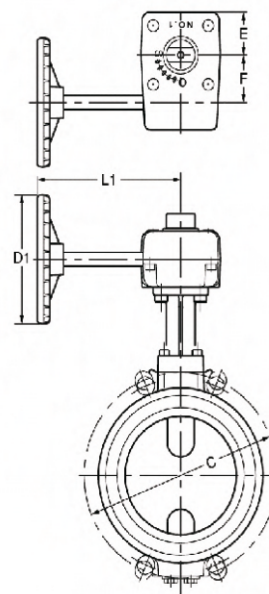
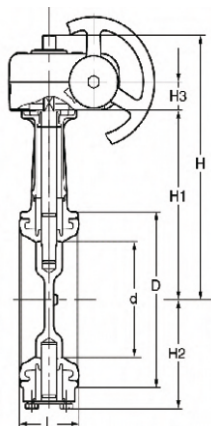


unit : mm

Size		d	H	H1	H2	L	D	C		D1
mm	inch							PN10 	PN16	
40	1½	40	172	128	40	33	80	105	105	180
50	2	50	176	132	66	43	93	120	125	180
65	2½	65	185	141	74	46	118	140	145	180
80	3	80	193	149	83	46	129	150	160	180
100	4	100	204	160	94	52	149	175	180	180
125	5	125	249	195	122	56	184	210	210	230
150	6	150	261	207	135	56	214	240	240	230
200	8	196	281	234	161	60	258	-	-	350

G-PN10 BNME (SIZE: 1½ " to 8")

G-PN16 BNME (SIZE: 1½ " to 8")

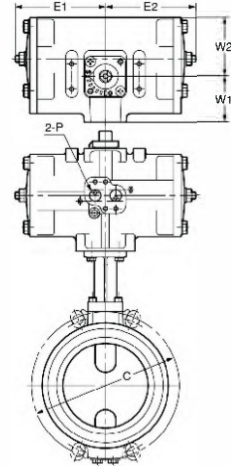
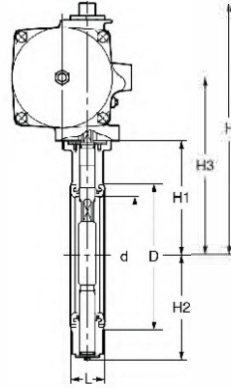


unit : mm

Size		d	H	H1	H2	H3	L	D	C		D1	L1	E	F	Gear type
mm	inch								PN10	PN16					
40	1½	40	175	128	40	19	33	80	105	105	80	122	29	28	No.0
50	2	50	179	132	66	19	43	93	120	125	80	122	29	28	No.0
65	2½	65	188	141	74	19	46	118	140	145	80	122	29	28	No.0
80	3	80	196	149	83	19	46	129	150	160	80	122	29	28	No.0
100	4	100	223	160	94	24	52	149	175	180	110	135	36	40	No.1
125	5	125	258	195	122	24	56	184	210	210	110	150	36	40	No.1
150	6	150	270	207	135	24	56	214	240	240	110	150	36	40	No.1
200	8	196	311	234	161*1	32	60	258	290	295	170	180	51	63	No.2

A-PN10 BNME (SIZE: 1½" to 8")

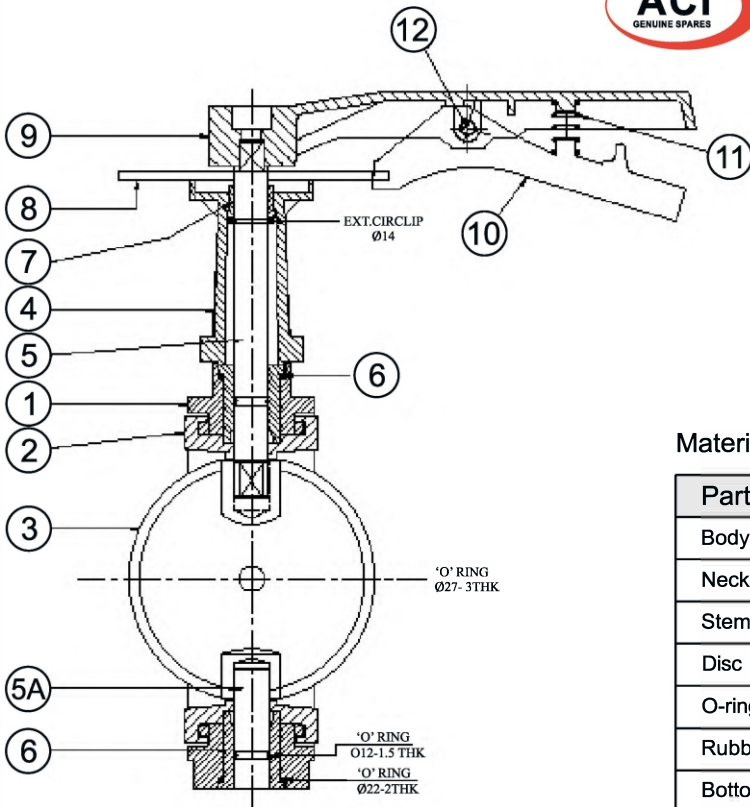
A-PN16 BNME (SIZE: 1½" to 8")



unit : mm

Size		d	H	H1	H2	H3	L	D	C		Actuator				
mm	inch								PN10	PN16	E1	E2	W1	W2	P
40	1½	40	251	128	40	181	33	80	105	105	87	87	50	54	Rc¼
50	2	50	255	132	66	185	43	93	120	120	87	87	50	54	Rc¼
65	2½	65	287	141	74	207	46	118	140	139	107	107	54	70	Rc¼
80	3	80	295	149	83	215	46	129	150	152	107	107	54	70	Rc¼
100	4	100	306	160	94	226	52	149	175	190	107	107	54	70	Rc¼
125	5	125	357	195	122	271	56	184	210	216	128	128	57	87	Rc¼
150	6	150	369	207	135	283	56	214	240	241	128	128	57	87	Rc¼
200	8	196	435	234	161	327	60	258	290	298	160	160	68	111	Rc¼

Schematic - Diagram



PART LIST

SR	PART NAME	DRG NO	QTY	MATL
1-1A	MAIN BODY	ACI-01	1	ALUMINIUM
2	RUBBER SEAT	ACI-02	1	EPDM/NBR
3	DISC	ACI-03	1	Cf8 & CF8M
4	BONNET	ACI-04	1	WCB & Cf8
5-5A	SHAFT	ACI-05	1	SS-410
6	BIG BUSH	ACI-06	1	NYLON
7	SMALL BUSH	ACI-07	1	NYLON
8	LOCKER PLATE	ACI-08	1	ALUMINIUM
9	HANDLE	ACI-09	1	ALUMINIUM
10	LEVER	ACI-10	1	ALUMINIUM
11	SPRING	ACI-11	1	S.S-304
12	DOWEL PIN	ACI-12	1	S.S-304

Material

Parts	Material
Body	Aluminium Pressure Die-Cast: IS-617-94(Gr.LM-2)
Neck	Cf8 & WCB
Stem	Equivalent ASTM A276 : SS410
Disc	Cf8 & CF8M
O-ring	EPDM
Rubber seat	EPDM / NBR
Bottom stem	SS 410
Bearing	NYLON

Class	Type	Size Product code	mm	40	50	65	80	100	125	150	200	250	300
			inch	1½	2	2½	3	4	5	6	8	10	12
PN 10 PN 16 ASME CLASS 125	Lever	L-PN10 BNME L-PN16 BNME		✓	✓	✓	✓	✓	✓	✓	✓		
	Gear	G-PN10 BNME G-PN16 BNME		✓	✓	✓	✓	✓	✓	✓	✓		
	Pneumatic Actuator	A-PN10 BNME A-PN16 BNME		✓	✓	✓	✓	✓	✓	✓	✓		

Advantages Over Conventional CI / DI Butterfly Valves

- ★ **Light weight** : 30-40% lighter than CI/DI butterfly valve.
- ★ **No rust** water comes from valve.
- ★ **Unique Disc Design** : lower operation torque.
- ★ **Dew condensation proof**: **no water drops** from operation.
- ★ 50 mm insulation is possible: insulation never encumbers operation.
- ★ Operating Temperature= **-20 to 120** degrees Celsius.
- ★ Long durable : Suitable for actuator & gear mountings (**Automation**).
- ★ No Part in contact with fluid except disc & liner.
- ★ **100% Leak tight design**.

Applications

- * **Paper & Pulp Industries**
 - * **Effluent/Sewage Treatment Plants**
 - * **Pharmaceuticals**
 - * **Fire Fighting**
 - * **Heating, Ventilation & Air Conditioning**
 - * **Agriculture & Irrigation Systems**
 - * **Petrochemicals & Refineries**
 - * **Sugar & Bagasse Industries**
 - * **Cooling Water Circulation**
 - * **Compressed Air**
 - * **Large Scale Plumbing**
- and numerous other applications

AUTO CARE INDUSTRIES

41, Yamuna Industrial Estate, Part-2, Sureliya-CTM Cross Road, Amraiwadi, Ahmedabad - 380026 (Gujarat)

Website: autocareindustries.com E-mail: autocare_1@yahoo.in

Mob: 93285 33669, 98790 24899