



SANDHYA ENTERPRISES

AN ISO:9001:5015 Certified Company

Chemical Rubber Hose with High Working Pressure for Reinforcement

As per IS : 7654 / 87 Type 2

Make: "SANDHYAFLEX"

Application: Chemical Rubber Hose Pipe is Designed to handle a wide range of chemicals, acids, alkalies and alcoholic, mineral acids, aqueous solution of inorganic materials during production and their transferring operations. Paras Rubber Hose India is a credible Rubber Hose Pipe manufacturer in India. We offers a wide range of Chemical Rubber Hose Pipe by using high grade material.

Construction:

Lining

Uniform seamless tube of EPDM, Thiokol, Chloroprene, Butyl, SBR, NBR, natural/synthetic/blend rubber compound or a blend depending on the liquid for which the hose is intended to be used.

Reinforcement

Plies of rubber coated woven textile or braided synthetic yarns with or without helical galvanized steel wire.

Cover

Smooth, fluted or fabric marked finish with suitable rubber compound, resistant to weather.

Types

: Type 1 for conveying dilute chemicals.

Type 2 for conveying concentrated chemicals.

Pressures:

Type 1 W.P. of 1.00 MPa & B.P. min.3.15 MPa .

Type 2 W.P. of 1.00 MPa & B.P. min.4.00 MPa

Chemical rubber hose is mainly used for chemicals conveyance and chemical sewage treatment in chemical plant, paint factory, pharmaceutical factory, chemical tanker, sewage treatment plant and other industries. It can be used for suction and discharge of most chemicals and it has excellent bending property. It is composed of three parts: tube, reinforcement and cover. Tube is Chemical rubber hose is suitable for high pressure working conditions because of its reinforcement.

Features of chemical rubber hose:

Resistant to high pressure.

- Resistant to corrosion and static.
- Resistant to kink.
- Without deformation and dissolution.
- Excellent bending property and abrasion resistance.
- Outstanding flexibility.
- Long service life.

Address: 5-24-1223/8/1, Ambedkar Nagar, Gajularamaram, Hyderabad – 500055.

AN ISO 9001:2015 Certified Company

Contact No: 9652998932

GSTIN: 36GNLPS1299P1ZS

Email : sandhyaprises@gmail.com

Website: www.sandhyaflex.com

WhatsApp: 9652998932

YouTube: www.youtube.com/c/SANDHYAENTERPRISES

Website : <http://www.sandhyaflex.com/pvc-water-...>

Request a Quote : <https://www.sandhyaflex.com/contactus-1.php>



SANDHYA ENTERPRISES

AN ISO:9001:5015 Certified Company

Chemical Rubber Hose with High Working Pressure for Reinforcement

As per IS : 7654 / 87 Type 2

The specification of chemical rubber hose

Hose code	ID		Reinforcement	OD		Length		Bend radius		Working pressure	Vacuum pressure
	inch	Mm	Ply	Inch	mm	ft	m	inch	mm	Psi	mmHg
SANDHYAFLEX-01	1	25.4	2	1.535	39.0	200	60	7	175	200	736.6
SANDHYAFLEX -02	1-1/4	31.8	2	1.787	45.4	200	60	8	200	200	736.6
SANDHYAFLEX -03	1-1/2	38.1	2	2.035	51.7	200	60	10	250	200	736.6
SANDHYAFLEX -04	2	50.8	2	2.575	65.4	200	60	14	350	200	736.6
SANDHYAFLEX -05	2-1/2	63.5	2	3.091	78.5	200	60	17	425	200	736.6
SANDHYAFLEX -06	3	76.2	2	3.634	92.3	200	60	21	525	200	736.6
SANDHYAFLEX -07	4	101.6	4	4.728	120.1	200	60	28	700	200	736.6
SANDHYAFLEX -08	6	152.4	4	6.815	173.1	200	60	42	1050	200	736.6

Application of chemical rubber hose:

- It is used for chemical fluids conveyance and chemical sewage treatment in chemical plant, paint plant, pharmaceutical factory, chemical tanker, sewage treatment plant and other industries.

Address: 5-24-1223/8/1, Ambedkar Nagar, Gajularamaram, Hyderabad – 500055.

AN ISO 9001:2015 Certified Company

Contact No: 9652998932

GSTIN: 36GNLPS1299P1ZS

Email : sandhyaprises@gmail.com

Website: www.sandhyaflex.com

WhatsApp: 9652998932

YouTube: www.youtube.com/c/SANDHYAENTERPRISES

Website : <http://www.sandhyaflex.com/pvc-water-...>

Request a Quote : <https://www.sandhyaflex.com/contactus-1.php>



SANDHYA ENTERPRISES

AN ISO:9001:5015 Certified Company

Chemical Rubber Hose with High Working Pressure for Reinforcement

As per IS : 7654 / 87 Type 2

- It is used for corrosive chemical fluids suction and discharge of barge, dock and storage tank.
-
- It is used to convey printing ink in printing and packaging industry.

S.No	Size mm	Description	Images
1	25.4	Pressures: Type 1 W.P. of 1.00 MPa & B.P. min.3.15 MPa . Type 2 W.P. of 1.00 MPa & B.P. min.4.00 MPa	
2	31.8	Pressures: Type 1 W.P. of 1.00 MPa & B.P. min.3.15 MPa . Type 2 W.P. of 1.00 MPa & B.P. min.4.00 MPa	
3	38.1	Pressures: Type 1 W.P. of 1.00 MPa & B.P. min.3.15 MPa . Type 2 W.P. of 1.00 MPa & B.P. min.4.00 MPa	
4	50.8	Pressures: Type 1 W.P. of 1.00 MPa & B.P. min.3.15 MPa . Type 2 W.P. of 1.00 MPa & B.P. min.4.00 MPa	
5	63.5	Pressures: Type 1 W.P. of 1.00 MPa & B.P. min.3.15 MPa . Type 2 W.P. of 1.00 MPa & B.P. min.4.00 MPa	
6	76.2	Pressures: Type 1 W.P. of 1.00 MPa & B.P. min.3.15 MPa . Type 2 W.P. of 1.00 MPa & B.P. min.4.00 MPa	
7	101.6	Pressures: Type 1 W.P. of 1.00 MPa & B.P. min.3.15 MPa . Type 2 W.P. of 1.00 MPa & B.P. min.4.00 MPa	

Address: 5-24-1223/8/1, Ambedkar Nagar, Gajularamaram, Hyderabad – 500055.

AN ISO 9001:2015 Certified Company

Contact No: 9652998932

GSTIN: 36GNLPS1299P1ZS

Email : sandhyaprises@gmail.com

Website: www.sandhyaflex.com

WhatsApp: 9652998932

YouTube: www.youtube.com/c/SANDHYAENTERPRISES

Website : <http://www.sandhyaflex.com/pvc-water-...>

Request a Quote : <https://www.sandhyaflex.com/contactus-1.php>




SANDHYA ENTERPRISES

AN ISO:9001:5015 Certified Company

Chemical Rubber Hose with High Working Pressure for Reinforcement

As per IS : 7654 / 87 Type 2

8	152.4	Pressures: Type 1 W.P. of 1.00 MPa & B.P. min.3.15 MPa . Type 2 W.P. of 1.00 MPa & B.P. min.4.00 MPa	
----------	--------------	---	---

MS Flange Dimension of Class 150 Flanges As per ANSIB 16.5

Nominal Bore		OD	Wall Thickness	RFD	PCD	Holes Dai	No of Hose
ID INCH	ID mm	Mm	Mm	Mm	mm		



Address: 5-24-1223/8/1, Ambedkar Nagar, Gajularamaram, Hyderabad – 500055.

AN ISO 9001:2015 Certified Company

Contact No: 9652998932

GSTIN: 36GNLPS1299P1ZS

Email : sandhyaprises@gmail.com

Website: www.sandhyaflex.com

WhatsApp: 9652998932

YouTube: www.youtube.com/c/SANDHYAENTERPRISES

Website : <http://www.sandhyaflex.com/pvc-water-...>

Request a Quote : <https://www.sandhyaflex.com/contactus-1.php>



SANDHYA ENTERPRISES

AN ISO:9001:5015 Certified Company

Chemical Rubber Hose with High Working Pressure for Reinforcement

As per IS : 7654 / 87 Type 2

3	80	190.5	23.8	127.0	152.4	19	4
4	100	230	23.8	157.2	190.5	19.0	8
5	125	254	23.8	185.7	215.9	22.2	8
6	150	279.4	25.4	215.9	241.3	22.2	8
8	200	342.9	28.6	269.9	298.4	22.2	8
10	250	406.4	30.2	323.8	361.9	25.4	12
12	300	482.6	31.8	381.0	431.8	25.4	12
14	350	533.4	34.9	412.7	476.2	28.6	12
16	400	596.9	36.5	469.9	539.7	28.6	16
18	450	635	39.7	533.4	577.8	31.7	16
20	500	698.5	42.9	584.2	635.0	31.7	20
24	600	812	47.6	692.1	749.3	34.9	20



Address: 5-24-1223/8/1, Ambedkar Nagar, Gajularamaram, Hyderabad – 500055.

AN ISO 9001:2015 Certified Company

Contact No: 9652998932

GSTIN: 36GNLPS1299P1ZS

Email : sandhyaprises@gmail.com

Website: www.sandhyaflex.com

WhatsApp: 9652998932

YouTube: www.youtube.com/c/SANDHYAENTERPRISES

Website : <http://www.sandhyaflex.com/pvc-water-...>

Request a Quote : <https://www.sandhyaflex.com/contactus-1.php>



SANDHYA ENTERPRISES

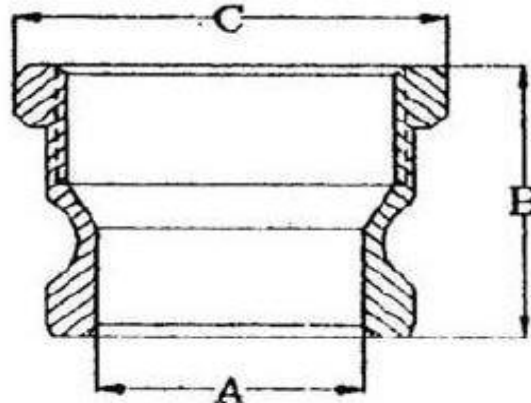
AN ISO:9001:5015 Certified Company

Chemical Rubber Hose with High Working Pressure for Reinforcement

As per IS : 7654 / 87 Type 2

TYPE A

Male Coupler X Female NPT



Size		1/2"	3/4"	1"	1-1/4"	1-1/2"	2"	2-1/2"	3"	4"	6"
Size of Thread		1/2"	3/4"	1"	1-1/4"	1-1/2"	2"	2-1/2"	3"	4"	6"
B: Overall Length	NPT	40.9	39	48.5	52.5	54.7	63.5	68	70	74.6	79.2
	BSPT	40.9	39	48.5	52.5	54.7	63.5	83	70	74.6	79.2
A: Min I.D.		14.3	21	23.8	30.8	38.5	46	58	73.2	98.2	150
C: Max Across Corners of Adaptors		28.8	39.2	43.8	51.9	60.4	70.4	82.3	97.8	126.8	187.6

Unit:mm

Address: 5-24-1223/8/1, Ambedkar Nagar, Gajularamaram, Hyderabad – 500055.

AN ISO 9001:2015 Certified Company

Contact No: 9652998932

GSTIN: 36GNLPS1299P1ZS

Email : sandhyaprises@gmail.com

Website: www.sandhyaflex.com

WhatsApp: 9652998932

YouTube: www.youtube.com/c/SANDHYAENTERPRISES

Website : <http://www.sandhyaflex.com/pvc-water-...>

Request a Quote : <https://www.sandhyaflex.com/contactus-1.php>



SANDHYA ENTERPRISES

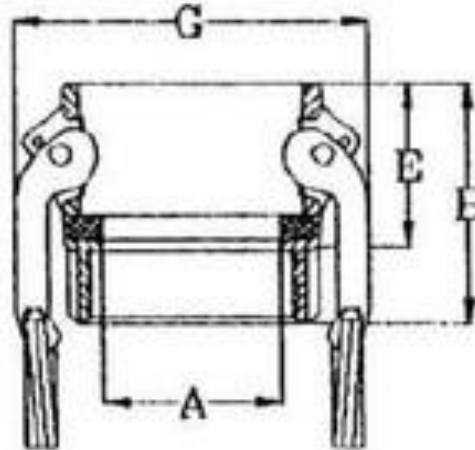
AN ISO:9001:5015 Certified Company

Chemical Rubber Hose with High Working Pressure for Reinforcement

As per IS : 7654 / 87 Type 2

TYPE D

Female Coupler X Female NPT



Size	1/2"	3/4"	1"	1-1/4"	1-1/2"	2"	2-1/2"	3"	4"	6"
Size of Thread	1/2"	3/4"	1"	1-1/4"	1-1/2"	2"	2-1/2"	3"	4"	6"
G: Max O.D.	45.7	53.3	60.9	82.6	90.3	99.8	112.4	137.6	165.6	238.3
B: Overall Length	49.5	51	58.64	67.5	67	72.2	85.64	86.5	88.8	103.5
E: Exposed Length	31.4	32	39	44.5	45	50	54.3	55.5	55.5	65.5
A: Min. I.D.	18	21	25	34.9	39	50.8	63	76.2	100.8	152.6

Unit: mm

Address: 5-24-1223/8/1, Ambedkar Nagar, Gajularamaram, Hyderabad – 500055.

AN ISO 9001:2015 Certified Company

Contact No: 9652998932

GSTIN: 36GNLPS1299P1ZS

Email : sandhyaprises@gmail.com

Website: www.sandhyaflex.com

WhatsApp: 9652998932

YouTube: www.youtube.com/c/SANDHYAENTERPRISES

Website : <http://www.sandhyaflex.com/pvc-water-...>

Request a Quote : <https://www.sandhyaflex.com/contactus-1.php>



SANDHYA ENTERPRISES

AN ISO:9001:5015 Certified Company

Chemical Rubber Hose with High Working Pressure for Reinforcement

As per IS : 7654 / 87 Type 2



Address: 5-24-1223/8/1, Ambedkar Nagar, Gajularamaram, Hyderabad – 500055.

AN ISO 9001:2015 Certified Company

Contact No: 9652998932

GSTIN: 36GNLPS1299P1ZS

Email : sandhyaprises@gmail.com

Website: www.sandhyaflex.com

WhatsApp: 9652998932

YouTube: www.youtube.com/c/SANDHYAENTERPRISES

Website : <http://www.sandhyaflex.com/pvc-water-...>

Request a Quote : <https://www.sandhyaflex.com/contactus-1.php>



SANDHYA ENTERPRISES

AN ISO:9001:5015 Certified Company

Chemical Rubber Hose with High Working Pressure for Reinforcement

As per IS : 7654 / 87 Type 2



Address: 5-24-1223/8/1, Ambedkar Nagar, Gajularamaram, Hyderabad – 500055.

AN ISO 9001:2015 Certified Company

Contact No: 9652998932

GSTIN: 36GNLPS1299P1ZS

Email : sandhyaprises@gmail.com

Website: www.sandhyaflex.com

WhatsApp: 9652998932

YouTube: www.youtube.com/c/SANDHYAENTERPRISES

Website : <http://www.sandhyaflex.com/pvc-water-...>

Request a Quote : <https://www.sandhyaflex.com/contactus-1.php>



SANDHYA ENTERPRISES

AN ISO:9001:5015 Certified Company

Chemical Rubber Hose with High Working Pressure for Reinforcement

As per IS : 7654 / 87 Type 2



Address: 5-24-1223/8/1, Ambedkar Nagar, Gajularamaram, Hyderabad – 500055.

AN ISO 9001:2015 Certified Company

Contact No: 9652998932

GSTIN: 36GNLPS1299P1ZS

Email : sandhyaprises@gmail.com

Website: www.sandhyaflex.com

WhatsApp: 9652998932

YouTube: www.youtube.com/c/SANDHYAENTERPRISES

Website : <http://www.sandhyaflex.com/pvc-water-...>

Request a Quote : <https://www.sandhyaflex.com/contactus-1.php>



SANDHYA ENTERPRISES

AN ISO:9001:5015 Certified Company

Chemical Rubber Hose with High Working Pressure for Reinforcement

As per IS : 7654 / 87 Type 2

Size: 1" (25mm) ID x 5.0Mtr (LG) with Both End MS Flange.

OD	S.No	Description	Thickness
29.0	1	Lining	2.00
30.6	2	1 Ply (Reinforcement)	0.80
32.6	4	Middle	1.00
0.00	3	MS Wire 16SWG	2.00
34.6	4	Middle	1.00
36.2	5	1Ply (Reinforcement)	0.80
38.20	6	Cover	1.0

Wall Thickness:6.60mm

Working Pressure:10 Bar (10Kg/cm²)

Proof Pressure:2 times of W.P.

Bursting Pressure:4 times of W.P.

Fabric Reinforcement: Ply of a textile Fabric impregnated with Oil Resistance Rubber

Reinforcement: Embedded wire helix Spiraled over the nipples to a point beyond a second bend and finished off with a least two cross turns anchored together by soldering or welding

End Connection: Built –in- Flange Type

Maxim length: 15 Mtr till 5" Dia

Bore: Smooth Bore

Hardness-50 to 60 Shore A

Address: 5-24-1223/8/1, Ambedkar Nagar, Gajularamaram, Hyderabad – 500055.

AN ISO 9001:2015 Certified Company

Contact No: 9652998932

GSTIN: 36GNLPS1299P1ZS

Email : sandhyaprises@gmail.com

Website: www.sandhyaflex.com

WhatsApp: 9652998932

YouTube: www.youtube.com/c/SANDHYAENTERPRISES

Website : <http://www.sandhyaflex.com/pvc-water-...>

Request a Quote : <https://www.sandhyaflex.com/contactus-1.php>



SANDHYA ENTERPRISES

AN ISO:9001:5015 Certified Company

Chemical Rubber Hose with High Working Pressure for Reinforcement

As per IS : 7654 / 87 Type 2

Size: 1 1/4" (31.8mm) ID x 5.0Mtr (LG) with Both End MS Flange.

OD	S.No	Description	Thickness
35.8	1	Lining	2.00
37.4	2	1 Ply (Reinforcement)	0.80
39.4	4	Middle	1.00
0.00	3	MS Wire 16SWG	2.00
41.4	4	Middle	1.00
43.4	5	1Ply (Reinforcement)	0.80
45.4	6	Cover	1.0

Wall Thickness:6.60mm

Working Pressure:10 Bar (10Kg/cm²)

Proof Pressure:2 times of W.P.

Bursting Pressure:4 times of W.P.

Fabric Reinforcement: Ply of a textile Fabric impregnated with Oil Resistance Rubber

Reinforcement: Embedded wire helix Spiraled over the nipples to a point beyond a second bend and finished off with a least two cross turns anchored together by soldering or welding

End Connection: Built –in- Flange Type

Maxim length: 15 Mtr till 5" Dia

Bore: Smooth Bore

Hardness-50 to 60 Shore A

Address: 5-24-1223/8/1, Ambedkar Nagar, Gajularamaram, Hyderabad – 500055.

AN ISO 9001:2015 Certified Company

Contact No: 9652998932

GSTIN: 36GNLPS1299P1ZS

Email : sandhyaprises@gmail.com

Website: www.sandhyaflex.com

WhatsApp: 9652998932

YouTube: www.youtube.com/c/SANDHYAENTERPRISES

Website : <http://www.sandhyaflex.com/pvc-water-...>

Request a Quote : <https://www.sandhyaflex.com/contactus-1.php>



SANDHYA ENTERPRISES

AN ISO:9001:5015 Certified Company

Chemical Rubber Hose with High Working Pressure for Reinforcement

As per IS : 7654 / 87 Type 2

Size: 1 1/2" (38.1mm) ID x 5.0Mtr (LG) with Both End MS Flange.

OD	S.No	Description	Thickness
42.1	1	Lining	2.00
43.7	2	1 Ply (Reinforcement)	0.80
45.7	4	Middle	1.00
0.00	3	MS Wire 16SWG	2.00
47.3	4	Middle	1.00
48.9	5	1Ply (Reinforcement)	0.80
50.9	6	Cover	1.0

Wall Thickness:6.60mm

Working Pressure:10 Bar (10Kg/cm²)

Proof Pressure:2 times of W.P.

Bursting Pressure:4 times of W.P.

Fabric Reinforcement: Ply of a textile Fabric impregnated with Oil Resistance Rubber

Reinforcement: Embedded wire helix Spiraled over the nipples to a point beyond a second bend and finished off with a least two cross turns anchored together by soldering or welding

End Connection: Built –in- Flange Type

Maxim length: 15 Mtr till 5" Dia

Bore: Smooth Bore

Hardness-50 to 60 Shore A

Address: 5-24-1223/8/1, Ambedkar Nagar, Gajularamaram, Hyderabad – 500055.

AN ISO 9001:2015 Certified Company

Contact No: 9652998932

GSTIN: 36GNLPS1299P1ZS

Email : sandhyaprises@gmail.com

Website: www.sandhyaflex.com

WhatsApp: 9652998932

YouTube: www.youtube.com/c/SANDHYAENTERPRISES

Website : <http://www.sandhyaflex.com/pvc-water-...>

Request a Quote : <https://www.sandhyaflex.com/contactus-1.php>



SANDHYA ENTERPRISES

AN ISO:9001:5015 Certified Company

Chemical Rubber Hose with High Working Pressure for Reinforcement

As per IS : 7654 / 87 Type 2

Size: 2" (50mm) ID x 5.0Mtr (LG) with Both End MS Flange.

OD	S.No	Description	Thickness
54.80	1	Lining	2.00
56.40	2	2 Ply (Reinforcement)	0.80
58.40	4	Middle	1.00
0.00	3	MS Wire 14SWG	2.00
60.40	4	Middle	1.00
62.00	5	1Ply (Reinforcement)	0.80
65.00	6	Cover	1.50

Wall Thickness:7.0mm

Working Pressure:10 Bar (10Kg/cm²)

Proof Pressure:2 times of W.P.

Bursting Pressure:4 times of W.P.

Fabric Reinforcement: Ply of a textile Fabric impregnated with Oil Resistance Rubber

Reinforcement: Embedded wire helix Spiraled over the nipples to a point beyond a second bend and finished off with a least two closs turns anchored together by soldering or welding

End Connection: Built –in- Flange Type

Maxim length: 15 Mtr till 5" Dia

Bore: Smooth Bore

Hardness-50 to 60 Shore A

Address: 5-24-1223/8/1, Ambedkar Nagar, Gajularamaram, Hyderabad – 500055.

AN ISO 9001:2015 Certified Company

Contact No: 9652998932

GSTIN: 36GNLPS1299P1ZS

Email : sandhyaprises@gmail.com

Website: www.sandhyaflex.com

WhatsApp: 9652998932

YouTube: www.youtube.com/c/SANDHYAENTERPRISES

Website : <http://www.sandhyaflex.com/pvc-water-...>

Request a Quote : <https://www.sandhyaflex.com/contactus-1.php>



SANDHYA ENTERPRISES

AN ISO:9001:5015 Certified Company

Chemical Rubber Hose with High Working Pressure for Reinforcement

As per IS : 7654 / 87 Type 2

Size: 2 1/2" (63.5mm) ID x 5.0Mtr (LG) with Both End MS Flange.

OD	S.No	Description	Thickness
67.5	1	Lining	2.00
69.1	2	2 Ply (Reinforcement)	0.80
71.1	4	Middle	1.00
0.00	3	MS Wire 14SWG	2.00
73.1	4	Middle	1.00
74.7	5	1Ply (Reinforcement)	0.80
77.7	6	Cover	1.50

Wall Thickness:7.1mm

Working Pressure:10 Bar (10Kg/cm²)

Proof Pressure:2 times of W.P.

Bursting Pressure:4 times of W.P.

Fabric Reinforcement: Ply of a textile Fabric impregnated with Oil Resistance Rubber

Reinforcement: Embedded wire helix Spiraled over the nipples to a point beyond a second bend and finished off with a least two cross turns anchored together by soldering or welding

End Connection: Built –in- Flange Type

Maxim length: 15 Mtr till 5" Dia

Bore: Smooth Bore

Hardness-50 to 60 Shore A

Address: 5-24-1223/8/1, Ambedkar Nagar, Gajularamaram, Hyderabad – 500055.

AN ISO 9001:2015 Certified Company

Contact No: 9652998932

GSTIN: 36GNLPS1299P1ZS

Email : sandhyaprises@gmail.com

Website: www.sandhyaflex.com

WhatsApp: 9652998932

YouTube: www.youtube.com/c/SANDHYAENTERPRISES

Website : <http://www.sandhyaflex.com/pvc-water-...>

Request a Quote : <https://www.sandhyaflex.com/contactus-1.php>



SANDHYA ENTERPRISES

AN ISO:9001:5015 Certified Company

Chemical Rubber Hose with High Working Pressure for Reinforcement

As per IS : 7654 / 87 Type 2

Size: 3" (75mm) ID x 5.0Mtr (LG) with Both End MS Flange

OD	S.No.	Description	Thickness
82.20	1	Lining	3.00
85.40	2	2 Ply (Reinforcement)	0.80
87.40	4	Middle	1.00
0.00	3	MS Wire 14 SWG	2.00
89.40	4	Middle	1.00
91.00	5	1Ply (Reinforcement)	0.80
94.00	6	Cover	1.50

Wall Thickness:8.0kmm

Working Pressure:10 Bar (10Kg/cm2)

Proof Pressure:2 times of W.P.

Bursting Pressure:4 times of W.P.

Fabric Reinforcement: Ply of a textile Fabric impregnated with Oil Resistance Rubber

Reinforcement: Embedded wire helix Spiraled over the nipples to a point beyond a second bend and finished off with a least two cross turns anchored together by soldering or welding

End Connection: Built –in- Flange Type

Maxim length: 15 Mtr till 5" Dia

Bore: Smooth Bore

Hardness-50 to 60 Shore A

Address: 5-24-1223/8/1, Ambedkar Nagar, Gajularamaram, Hyderabad – 500055.

AN ISO 9001:2015 Certified Company

Contact No: 9652998932

GSTIN: 36GNLPS1299P1ZS

Email : sandhyaprises@gmail.com

Website: www.sandhyaflex.com

WhatsApp: 9652998932

YouTube: www.youtube.com/c/SANDHYAENTERPRISES

Website : <http://www.sandhyaflex.com/pvc-water-...>

Request a Quote : <https://www.sandhyaflex.com/contactus-1.php>



SANDHYA ENTERPRISES

AN ISO:9001:5015 Certified Company

Chemical Rubber Hose with High Working Pressure for Reinforcement

As per IS : 7654 / 87 Type 2

Size: 4" (100mm) ID x 5.0Mtr (LG) With Both End MS Flange

OD	S. No.	Description	Thickness
109.60	1	Lining	4.00
112.80	2	2 Ply (Reinforcement)	0.80
114.80	4	Middle	1.00
0.00	3	MS Wire 12 SWG	2.60
116.80	4	Middle	1.00
118.40	5	2 Ply (Reinforcement)	0.80
121.40	6	Cover	1.50

Wall Thickness:9.0kmm

Working Pressure:10 Bar (10Kg/cm²)

Proof Pressure:2 times of W.P.

Bursting Pressure:4 times of W.P.

Fabric Reinforcement: Ply of a textile Fabric impregnated with Oil Resistance Rubber

Reinforcement: Embedded wire helix Spiralled over the nipples to a point beyond a second bend and finished off with a least two cross turns anchored together by soldering or welding

End Connection: Built –in- Flange Type

Maxim length: 15 Mtr till 5" Dia

Bore: Smooth Bore

Hardness-50 to 60 Shore A

Address: 5-24-1223/8/1, Ambedkar Nagar, Gajularamaram, Hyderabad – 500055.

AN ISO 9001:2015 Certified Company

Contact No: 9652998932

GSTIN: 36GNLPS1299P1ZS

Email : sandhyaprises@gmail.com

Website: www.sandhyaflex.com

WhatsApp: 9652998932

YouTube: www.youtube.com/c/SANDHYAENTERPRISES

Website : <http://www.sandhyaflex.com/pvc-water-...>

Request a Quote : <https://www.sandhyaflex.com/contactus-1.php>



SANDHYA ENTERPRISES

AN ISO:9001:5015 Certified Company

Chemical Rubber Hose with High Working Pressure for Reinforcement

As per IS : 7654 / 87 Type 2

Size: 5" (125mm) ID x 5.0Mtr (LG) with Both End MS Flange

125.00	S. No.	Description	Thickness
135.00	1	Lining	4.00
138.20	2	2 Ply 18 OZ (Reinforcement)	0.80
141.20	4	Middle	1.50
0.00	3	MS Wire 10 SWG	3.20
144.20	4	Middle	1.50
147.40	5	2 Ply 18 OZ (Reinforcement)	0.80
150.40	6	Cover	1.50

Wall Thickness:12.0kmm

Working Pressure:10 Bar (10Kg/cm²)

Proof Pressure:2 times of W.P.

Bursting Pressure:4 times of W.P.

Fabric Reinforcement: Ply of a textile Fabric impregnated with Oil Resistance Rubber

Reinforcement: Embedded wire helix Spiraled over the nipples to a point beyond a second bend and finished off with a least two cross turns anchored together by soldering or welding

End Connection: Built –in- Flange Type

Maxim length: 15 Mtr till 5" Dia

Bore: Smooth Bore

Hardness-50 to 60 Shore A.

Address: 5-24-1223/8/1, Ambedkar Nagar, Gajularamaram, Hyderabad – 500055.

AN ISO 9001:2015 Certified Company

Contact No: 9652998932

GSTIN: 36GNLPS1299P1ZS

Email : sandhyaprises@gmail.com

Website: www.sandhyaflex.com

WhatsApp: 9652998932

YouTube: www.youtube.com/c/SANDHYAENTERPRISES

Website : <http://www.sandhyaflex.com/pvc-water-...>

Request a Quote : <https://www.sandhyaflex.com/contactus-1.php>



SANDHYA ENTERPRISES

AN ISO:9001:5015 Certified Company

Chemical Rubber Hose with High Working Pressure for Reinforcement

As per IS : 7654 / 87 Type 2

Size: 6" (150mm) ID x 6.0Mtr (LG) with Both End MS Flange

OD	S. No.	Description	Thickness
162.40	1	Lining	5.00
165.60	2	2 Ply (Reinforcement)	0.80
167.60	4	Middle	1.00
0.00	3	MS Wire 12 SWG	2.60
169.60	4	Middle	1.00
172.80	5	2 Ply (Reinforcement)	0.80
176.80	7	Middle	1.00
0.00	6	MS Wire 12 SWG	2.60
178.80	7	Middle	1.00
180.40	8	1 Ply (Reinforcement)	0.80
183.40	9	Cover	1.50

Wall Thickness:16.0kmm

Working Pressure:10 Bar (10Kg/cm2)

Proof Pressure:2 times of W.P.

Bursting Pressure:4 times of W.P.

Fabric Reinforcement: Ply of a textile Fabric impregnated with Oil Resistance Rubber

Reinforcement: Embedded wire helix Spiraled over the nipples to a point beyond a second bend and finished off with a least two cross turns anchored together by soldering or welding

End Connection: Built –in- Flange Type

Maxim length: 15 Mtr till 5" Dia

Bore: Smooth Bore

Hardness-50 to 60 Shore A.

Address: 5-24-1223/8/1, Ambedkar Nagar, Gajularamaram, Hyderabad – 500055.

AN ISO 9001:2015 Certified Company

Contact No: 9652998932

GSTIN: 36GNLPS1299P1ZS

Email : sandhyaprises@gmail.com

Website: www.sandhyaflex.com

WhatsApp: 9652998932

YouTube: www.youtube.com/c/SANDHYAENTERPRISES

Website : <http://www.sandhyaflex.com/pvc-water-...>

Request a Quote : <https://www.sandhyaflex.com/contactus-1.php>



SANDHYA ENTERPRISES

AN ISO:9001:5015 Certified Company

Chemical Rubber Hose with High Working Pressure for Reinforcement

As per IS : 7654 / 87 Type 2

BUSINESS POLICY

Inquiry

Quotation

Purchase Order

1. Billing Address.

2. Delivery Address

3. GST No

4. Contact No

Performa Invoice

Advance Payment

Take in Production as per Purchase Order

After Completed Consignment Inform to Client for

Balance Payment

Dispatch the Material

Provide LR Copy

Address: 5-24-1223/8/1, Ambedkar Nagar, Gajularamaram, Hyderabad – 500055.

AN ISO 9001:2015 Certified Company

Contact No: 9652998932

GSTIN: 36GNLPS1299P1ZS

Email : sandhyaprises@gmail.com

Website: www.sandhyaflex.com

WhatsApp: 9652998932

YouTube: www.youtube.com/c/SANDHYAENTERPRISES

Website : <http://www.sandhyaflex.com/pvc-water-...>

Request a Quote : <https://www.sandhyaflex.com/contactus-1.php>



SANDHYA ENTERPRISES

AN ISO:9001:5015 Certified Company

Chemical Rubber Hose with High Working Pressure for Reinforcement

As per IS : 7654 / 87 Type 2

Bank Details	
COMPANY NAME	SANDHYA ENTERPRISES
Bank	HDFC Bank Ltd
Branch	5-80,HMT Road,Chintal, Jeedimetla,Qutubulapur Mandal Dist. R R ,Hyderabad-500054 Telangana
Account No	50200016352482
IFSC	HDFC0001041
PAN No	GNLPS1299P
GST NO	36GNLpPS1299P1ZS
IEC	0916915042
AD Code	05114228381149
MSME	TS20B0028147

Address: 5-24-1223/8/1, Ambedkar Nagar, Gajularamaram, Hyderabad – 500055.

AN ISO 9001:2015 Certified Company

Contact No: 9652998932

GSTIN: 36GNLPS1299P1ZS

Email : sandhyaprises@gmail.com

Website: www.sandhyaflex.com

WhatsApp: 9652998932

YouTube: www.youtube.com/c/SANDHYAENTERPRISES

Website : <http://www.sandhyaflex.com/pvc-water-...>

Request a Quote : <https://www.sandhyaflex.com/contactus-1.php>



SANDHYA ENTERPRISES

AN ISO:9001:5015 Certified Company

Chemical Rubber Hose with High Working Pressure for Reinforcement

As per IS : 7654 / 87 Type 2

Address: 5-24-1223/8/1, Ambedkar Nagar, Gajularamaram, Hyderabad – 500055.

AN ISO 9001:2015 Certified Company

Contact No: 9652998932

GSTIN: 36GNLPS1299P1ZS

Email : sandhyaprises@gmail.com

Website: www.sandhyaflex.com

WhatsApp: 9652998932

YouTube: www.youtube.com/c/SANDHYAENTERPRISES

Website : <http://www.sandhyaflex.com/pvc-water-...>

Request a Quote : <https://www.sandhyaflex.com/contactus-1.php>