



SANDHYA ENTERPRISES

Address: 5-24-1223/8/1, Ambedkar Nagar, Gajularamaram, Hyderabad – 500055.

AN ISO 9001:2015 Certified Company

Contact No: 9652998932

GSTIN: 36GNLPS1299P1ZS

Email : sandhyaprises@gmail.com

Website: www.sandhyaflex.com

FLY ASH RUBBER HOSE (LIGHT DUTY)

As per IS: IS: 13071-1991 Specification

PRODUCT DESCRIPTION

With our rich industry experience and knowledge, we are engaged in offering high quality **Fly Ash Rubber Hose**. This is recommended for upper, lower, by-pass, heater and other applications. They are designed to perform as good as they look using the highest quality materials and engineered for optimum fit and function. Our provided Fly Ash Rubber Hose is widely used in the various industries such as agriculture, construction, mining and many other engineering industries. Clients can avail these hoses in various sizes as per their requirement.

Provided Fly Ash Rubber Hoses are the heavy duty yet flexible hoses, applicable for material handling purpose. These are found suitable for discharge of dry cement, sand, lime, mud particles, ash & cement plants for suction. These can capably replace the iron pipes which were the earlier utilization for transferring of abrasive materials, where there is a requirement of inherit flexible hoses. The tubes of these are made with black synthetic EPDM rubber, which are resistant to abrasion & heat. The lining of these Fly Ash Rubber Hoses are assembled with unvarying seamless tube of natural as well as synthetic blend rubber compounds, provided with optimal resistance to abrasion.

Construction

Core

-

Black color, Synthetic and natural rubber blend resistant to abrasion.

Reinforcement

-

High Tensile Synthetic Textile cord.

Cover

-

Black color, Synthetic rubber resistant to ozone, weather and abrasion.

Truck, tank, Bulker loading/unloading

Application

-

In-plant transfer of sand, lime, dry bulk cement, slurry etc.

Suction or emission of abrasive materials.

For Cement/ Plaster/ Sand placement in construction industries. Bulker Loading and Unloading Rubber Hose

SANDHYAFLEX Durable material handling solutions for Fly Ash Rubber Hose and Cement applications

Designed to last, our easy-to-install and maintain material handling solutions serve both the Fly Ash Rubber Cement industries. With the ability to handle the roughest materials, as well as sticky materials, we offer maximal flexibility when it comes to a tailored solution that fits your material handling needs

SANDHYAFLEX TECHNOLOGY

Strengthen your Bulker Unloading Cement Feeding and Cement material handling capabilities

We have been providing solutions to the cement and mining industries for over a century, equipping us with real-world experience and know-how that can be used alongside research and development (R&D) activities to produce material handling equipment to the highest standard.

Overcome your material handling challenges

SANDHYAFLEX service technicians understand that material handling in both the cement and RMC industries require equipment that can withstand harsh conditions. Highly abrasive and hard materials accelerate equipment wear and tear, leading to increased costs for equipment and spare parts replacement, and costly maintenance.

We offer reliable material handling technologies to effectively transport bulk material throughout your cement plant and to extract bulk materials from under a dump hopper or regulated feed to a crusher. Depending on your material handling equipment needs, we can work with you to find a solution that meets your brief.

Built to endure

Backed by experience and know-how, we have carefully considered the challenges you face when handling rough bulk and feed materials, therefore, we have built our technologies to last. We have paid particular attention to the equipment wear parts and components because they bear the brunt of the hard knocks. We hard face and fabricate them with the toughest materials for increased longevity.

And while increasing energy efficiency, easing maintenance frequency and access, and keeping production shutdown to a minimum are things that you aspire to, our well-designed material handling equipment offer all of these benefits and more. Other advantages that you can gain from our material handling equipment include:

- Ability to handle sticky material
- Highly flexible and hassle-free onsite installation
- Reliable operation

With you for every step

SANDHYAFLEX highly-trained management staff guarantee professional support through all phases of your material handling solution's life – from assembly and inspections to emergency services, or even offering their expertise if your material handling solution needs a full overhaul.

Bulk Fly Ash Feeding Rubber Hose

Fly Ash Feeding Rubber Hose pipe manufactured in blended RMA Gum and synthetic SBR rubber tube reinforced with high tensile multiple plies of synthetic cord fabric with a helical steel wire used as heavy duty abrasion resistant suction hose for cement discharge fly ash dry bulk unloading in coal fired thermal power plants, cement making factories for abrasive material handling ash disposal application supplied as per SANDHYAFLEX's standards produced by SANDHYAFEX Manufacturer, Supplier and exporters of Cement Feeding Rubber Hose to Malesiya, USA,

Bulk Cement Feeding Rubber Hose Abrasive Handling Hose 10 bar TECHNICAL SPECIFICATIONS: "SANDHYAFLEX"

ID = NB size range (mm)	Working Pressure (bar)	Rubber Tube (lining)	Cover & Finish	Reinforcement	Burst Pressure (bar) & Temperature
75 (3") 102 (4") 127 (5") 152 (6")	10 (=150 psi) Test Pressure 1.5 : 1 Vacuum: 750mm Hg	Gum RMA and Synthetic SBR anti-abrasive rubber blended; high abrasion resistant	SBR Synthetic rubber, Weather & abrasion resistant ; Plain Wrap BLACK color	Multiple plies of synthetic cord fabric with a helical steel wire & a static wire as a path to conduct a static electrical charge to ground	40 - 1°C to + 70°C Safety Factor 3 : 1

* **Roll Lengths** manufactured are 3 meters Min. (= 10 feet Approx.) and Max Length 15 meters produced in each size of Mandrel built woven ply hoses.

** **Packaging** in coils wrapped in HDPE straight stuffed from factory into direct truck/ trailer.

*** **End Fittings** like Molded Welded / **Clamped Flanges** as per **Class ASA150, BS 10 Table D/E in MS or SS304** material or **Camlock Couplings** and any other customized end connections duly fitted with hose pipe also supplied.

**** **Working Pressure 10 bar** rating and till 6" NB sizes also produced.

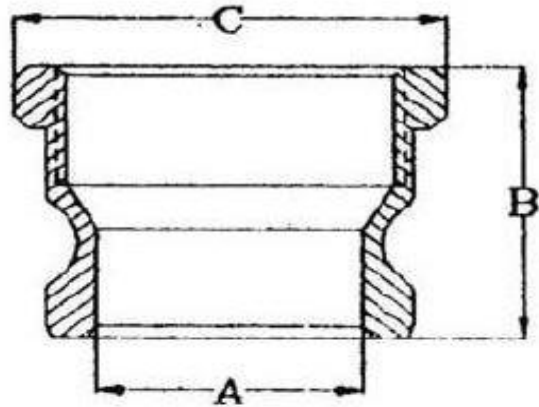
MS Flange Dimension of Class 150 Flanges As per ANSIB 16.5

Nominal Bore		OD	Wall Thickness	RFD	PCD	Holes Dai	No of Hose
ID INCH	ID mm	mm	Mm	Mm	Mm		
3	80	190.5	23.8	127.0	152.4	19	4
4	100	230	23.8	157.2	190.5	19.0	8
5	125	254	23.8	185.7	215.9	22.2	8
6	150	279.4	25.4	215.9	241.3	22.2	8
8	200	342.9	28.6	269.9	298.4	22.2	8
10	250	406.4	30.2	323.8	361.9	25.4	12
12	300	482.6	31.8	381.0	431.8	25.4	12
14	350	533.4	34.9	412.7	476.2	28.6	12
16	400	596.9	36.5	469.9	539.7	28.6	16
18	450	635	39.7	533.4	577.8	31.7	16
20	500	698.5	42.9	584.2	635.0	31.7	20
24	600	812	47.6	692.1	749.3	34.9	20





TYPE A Male Coupler X Female NPT

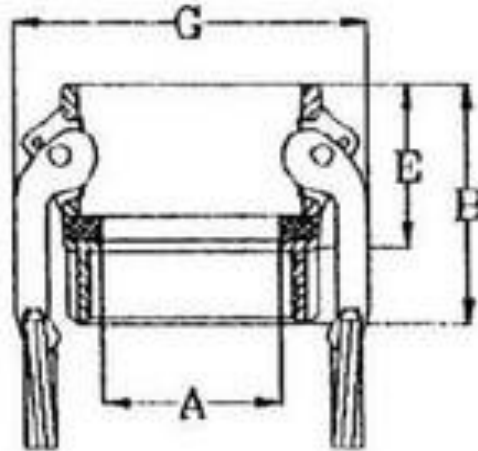


Size	1/2"	3/4"	1"	1-1/4"	1-1/2"	2"	2-1/2"	3"	4"	6"	
Size of Thread	1/2"	3/4"	1"	1-1/4"	1-1/2"	2"	2-1/2"	3"	4"	6"	
B: Overall Length	NPT	40.9	39	48.5	52.5	54.7	63.5	68	70	74.6	79.2
	BSPT	40.9	39	48.5	52.5	54.7	63.5	83	70	74.6	79.2
A: Min I.D.	14.3	21	23.8	30.8	38.5	46	58	73.2	98.2	150	
C: Max Across Corners of Adaptors	28.8	39.2	43.8	51.9	60.4	70.4	82.3	97.8	126.8	187.6	

Unit:mm

TYPE D

Female Coupler X Female NPT



Size	1/2"	3/4"	1"	1-1/4"	1-1/2"	2"	2-1/2"	3"	4"	6"
Size of Thread	1/2"	3/4"	1"	1-1/4"	1-1/2"	2"	2-1/2"	3"	4"	6"
G: Max O.D.	45.7	53.3	60.9	82.6	90.3	99.8	112.4	137.6	165.6	238.3
B: Overall Length	49.5	51	58.64	67.5	67	72.2	85.64	86.5	88.8	103.5
E: Exposed Length	31.4	32	39	44.5	45	50	54.3	55.5	55.5	65.5
A: Min. I.D.	18	21	25	34.9	39	50.8	63	76.2	100.8	152.6

Unit: mm

Sr.No	Description	Max Length
1	3" (75mm)ID x 5Mtr (LG) with Both End MS Flange as per ASA 150#	15Mtr
2	4" (100mm)ID x 5Mtr (LG) with Both End MS Flange as per ASA 150#	15 Mtr
3	5" (125mm)ID x 5Mtr (LG) with Both End MS Flange as per ASA 150#	15 Mtr
4	6" (150mm)ID x 5Mtr (LG) with Both End MS Flange as per ASA 150#	15 Mtr



CODE	Description	Images
SANDHYAFLEX-80NB-FARH	3" (75mm)ID x 5Mtr (LG) with Both End MS Flange as per ASA 150#	

NDHYAFLEX-75NB- FARH	3" (75mm)ID x 5Mtr (LG)	
-----------------------------	--------------------------------	---

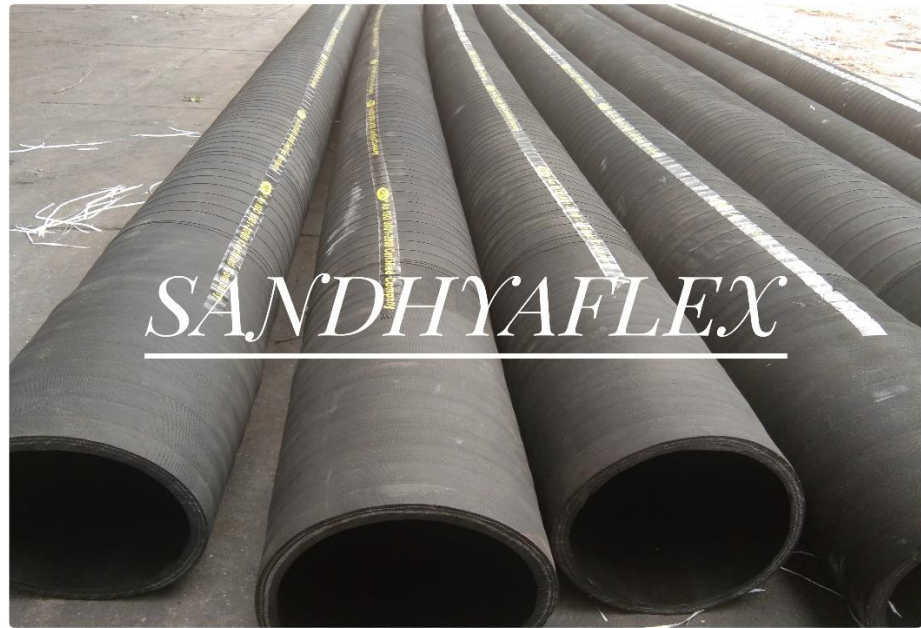
**SANDHYAFLEX
-100NB- FARH**

**4"
(100mm)
D x 5Mtr
(LG) with
Both End
MS Flange
as per ASA
150#**



**SANDHYAFLEX
-100NB- FARH**

**4"
(100mm)
D x 5Mtr
(LG)**



**SANDHYAFLEX
-125NB- FARH**

**5"
(125mm)
D x 5Mtr
(LG) with
Both End
MS Flange
as per ASA
150#**



**SANDHYAFLEX
-125NB-FARH**

**5"
(125mm)
D x 5Mtr
(LG)**



**SANDHYAFLEX-
150NB-FARH**

**6"
(150mm)ID
x 5Mtr
(LG) with
Both End
MS Flange
as per ASA
150#**



**SANDHYAFLEX-
150NB-FARH**

**6"
(150mm)ID
x 5Mtr
(LG)**



Client List of Cement and Bulker Unloading Fly Ash Rubber Hose

S.No	State	Name of Company Or Costumers
1	Andhra Pradesh	Srikar Enterprises Pvt Ltd
2	Pune	RMC Readymix
3	Telangana	T-Safe Trade Liinks
4	Andhra Pradesh	Gas Power Corporation Ltd
5	Telangana	Sai Sharan Estates
6	Telangana	Visaka Industries Ltd
7	Telangana	MAC Trading Corporation
8	Maharashtra	P.V. Engineering
9	Telangana	RVPR Constructions Pvt Ltd
10	Karnataka	S.K.B. Builders India Ltd
11	Pune	Sana Engineering
12	Chennai	Hugros Inc
13	Telangana	AMR India Ltd
14	Karnataka	Malwa Infracon Pvt Ltd
15	Andhra Pradesh	Sahyadri Industries Ltd
16	Karur	Sai Environmental Solutions
17	Thane	Cross Engineers
18	Assam	Chandan Deka
19	Uttar Pradesh	Ganpati Advisory Ltd
20	Andhra Pradesh	Mahalaxmi Constructions
21	Chennai	India Cement Engineering
22	Tamilnadu	Durga Devi Traders,
23	Maharashtra	Eagle Infra India Ltd
24	Telangana	Mahasethu Infra Projects Private Limited
25	Karnataka	RAMSHREE GLOBAL CONSTRUCTIONS PVT LTD
26	Bangalore	Sarbani Constructions.
27	Andhra Pradesh	SRIKAR ENTERPRISES PVT LTD
28	Maharashtra	Cleantec Infra Pvt Ltd
29	Nagpur	Radhesons Enterprises
30	Andhra Pradesh	Sahydrai Industries Ltd
31	Delhi	Sol Infra Spares
32	Pune	Suyog Enterprises
33	Andhra Pradesh	Bondada Engineering Pvt Ltd
34	Tamilnadu	HI-TECH FLYASH (INDIA) PRIVATE LIMITED
35	Haryana	JKM Enterprises
36	Telangana	RVPR CONSTRUCTIONS PRIVATE LIMITED
37	Bhutan	Samphel Enterprises
38	Tamilnadu	INDIA CEMENT ENGINEERING,
39	Bihar	Gaurav Enterprises
40	Kochi	INDUS TRADE LINKS
41	Telangana	Sudha Urethane
42	Karnataka	Chandrika Marine Service
43	Gwalior	Omega Engineers
44	Maharashtra	TECHNOLOGY RESOURCE PARTNER
45	Telangana	Balaji Enterprises
46	Telangana	GANGA ENTERPRISES
47	Maharashtra	AVIA CONSTRUCTION GROUP PVT LTD

S.No	State	Name of Company Or Costumers
48	Madhya Pradesh	M.K. Enterprises
49	Odisha	Nava Bharat Ventures Limited
50	Madhya Pradesh	Omega Engineers
51	Maharashtra	P.VENKATA RAMANAIAH ENGINEERS & CONTRACTORS PRIVATE LIMITED
52	Telangana	Sanvira Industries Limited
53	Andhra Pradesh	SHRE DJHA ENTERPRISES
54	Pune	Suyog Enterprises
55	Maharashtra	TECHNOLOGY RESOURCE PARTNER
56	Andhra Pradesh	Aarush Building Materials Pvt Ltd,
57	Telangana	Accurate Rubber Products Co
58	Tamilnadu	A S Cements
59	Tamilnadu	Noble Construction Equipments
60	Karnataka	SOUTHERN ENTERPRISES
61	Karnataka	Tejas Superstructure Pvt Ltd
62	Tamilnadu	Vishnu Engineering
63	Odisha	Dash Technocrats
64	Gujrat	Globcon Industries Pvt LTD
65	Andhra Pradesh	KJR Ready Mix Concrete
66	Madhya Pradesh	M.K. Enterprises
67	Tamilnadu	Noble Construction Equipments
68	Punjab	Pneumatic India
69	Maharashtra	R.D.Infra Equipments Pvt Ltd
70	Tamilnadu	Sundaram Industries Private Limited
71	Tamilnadu	Tamil Nadu Newsprint and Papers Limited
72	Telangana	Uday Industries
73	Tamilnadu	CORAL CEMENTS,
74	USA	Eddy Pump Corporation
75	Telangana	RVPR CONSTRUCTIONS PRIVATE LIMITED
76	Andhra Pradesh	S.B Enterprises
77	Andhra Pradesh	SHRE DJHA ENTERPRISES
78	Uttar Pradesh	Shree Anandeshwar Industrial Crporation
79	Maharashtra	SHREE BALAJI MARKETERS
80	Maharashtra	Siddhivinayak Automation
81	Maharashtra	Bharucha & Company
82	Andhra Pradesh	Blue Ocean Biotech Private Limited
83	Karnataka	Vijay- Vihan-Creator (J.V)
84	Telangana	VISAKA INDUSTRIES LIMITED
85	Malesiya	VIYA HOLDING SDN BHD
86	Andhra Pradesh	GREENWAY BUILDING MATERIALS INDIA PRIVATE LIMITED
87	Maharashtra	G.H Khandelwal New Congress Nagar
88	CHENNAI	MAGMA ASH TECH
89	Delhi	R.K.BUILD CARE PVT .LTD
90	Telangana	Uday Industries
91	Maharashtra	J.P. Enterprises
92	Gujrat	KM ASSOCIATES
93	Kerala	VIJAYACHANDRA BUILDIND PRODUCTS PVT LTD

FLY ASH RUBBER HOSE (LIGHT DUTY)

As per IS: IS: 13071-1991 Specification

Size: 3" (75mm) ID x 5.0Mtr (LG) with Both End MS Flange

OD	S .No.	Description	Thickness
82.20	1	Lining	3.00
85.40	2	2 Ply (Reinforcement)	0.80
87.40	4	Middle	1.00
0.00	3	MS Wire 14 SWG	2.00
89.40	4	Middle	1.00
91.00	5	1Ply (Reinforcement)	0.80
94.00	6	Cover	1.50

Wall Thickness:8.0kmm

Working Pressure:10 Bar (10Kg/cm²)

Proof Pressure:1.5 times of W.P.

Bursting Pressure: 3 times of W.P.

Reinforcement: 2 or 3 galvanized wire helices embedded in layers of Rubber compounds

End Connection: Built – in- Flange Type

Maxim length: 15 Mtr Maximum

Application: Suction & Discharge of Sand and Gravel, Mud Slurry, Concrete Slurry /Mining Particles etc.

Bore: Smooth Bore

Bending Radius:10xInner Diameter of Hose (750mm)

Vacuum:Minimum700mmHg (0.9Bar)

Lining material:NR/SBR Resistant to the passage of Abrasive and Corrosive Products

Hardness-50 to 60 Shore A.

Carcass: Synthetic Textile Plies with Embedded Steel Helix

Coating Material: Resistance to Severe and Bad Weather

Temperature: @1 Deg C to 100 Deg C

FLY ASH RUBBER HOSE (LIGHT DUTY)

As per IS: IS: 13071-1991 Specification

Size: 4" (100mm) ID x 5.0Mtr (LG) With Both End MS Flange

OD	S. No.	Description	Thickness
109.60	1	Lining	4.00
112.80	2	2 Ply (Reinforcement)	0.80
114.80	4	Middle	1.00
0.00	3	MS Wire 12 SWG	2.60
116.80	4	Middle	1.00
118.40	5	2 Ply (Reinforcement)	0.80
121.40	6	Cover	1.50

Wall Thickness:9.0kmm

Working Pressure:10 Bar (10Kg/cm²)

Proof Pressure:1.5 times of W.P.

Bursting Pressure: 3 times of W.P.

Reinforcement: 2 or 3 galvanized wire helices embedded in layers of Rubber compounds

End Connection: Built –in- Flange Type

Maxim length: 15 Mtr Maximum

Application: Suction & Discharge of Sand and Gravel, Mud Slurry, Concrete Slurry /Mining Particles etc.

Bore: Smooth Bore

Bending Radius:10xInner Diameter of Hose (1000mm)

Vacuum: Minimum700mmHg (0.9Bar)

Lining material: NR/SBR Resistant to the passage of Abrasive and Corrosive Products

Hardness-50 to 60 Shore A.

Carcass: Synthetic Textile Plies with Embedded Steel Helix

Coating Material: Resistance to Severe and Bad Weather

Temperature: @1 Deg C to 100 Deg C

FLY ASH RUBBER HOSE (LIGHT DUTY)

As per IS: IS: 13071-1991 Specification

Size: 5" (125mm) ID x 5.0Mtr (LG) with Both End MS Flange

125.00	S. No.	Description	Thickness
135.00	1	Lining	4.00
138.20	2	2 Ply (Reinforcement)	0.80
141.20	4	Middle	1.50
0.00	3	MS Wire 10 SWG	3.20
144.20	4	Middle	1.50
147.40	5	2 Ply (Reinforcement)	0.80
150.40	6	Cover	1.50

Wall Thickness:12.0kmm

Working Pressure:10 Bar (10Kg/cm²)

Proof Pressure:1.5 times of W.P.

Bursting Pressure: 3 times of W.P.

Reinforcement: 2 or 3 galvanized wire helices embedded in layers of Rubber compounds

End Connection: Built –in- Flange Type

Maximum length: 15.0Mtr Maximum

Application: Suction & Discharge of Sand and Gravel, Mud Slurry, Concrete Slurry /Mining Particles etc.

Bore: Smooth Bore

Bending Radius:10xInner Diameter of Hose (1250mm)

Vacuum: Minimum700mmHg (0.9Bar)

Lining material: NR/SBR Resistant to the passage of Abrasive and Corrosive Products

Hardness-50 to 60 Shore A.

Carcass: Synthetic Textile Plies with Embedded Steel Helix

Coating Material: Resistance to Severe and Bad Weather

Temperature: @1 Deg C to 100 Deg C

FLY ASH RUBBER HOSE (LIGHT DUTY)

As per IS: IS: 13071-1991 Specification

Size: 6" (150mm) ID x 6.0Mtr (LG) with Both End MS Flange

OD	S. No.	Description	Thickness
162.40	1	Lining	5.00
165.60	2	2 Ply (Reinforcement)	0.80
167.60	4	Middle	1.00
0.00	3	MS Wire 12 SWG	2.60
169.60	4	Middle	1.00
172.80	5	2 Ply (Reinforcement)	0.80
176.80	7	Middle	1.00
0.00	6	MS Wire 12 SWG	2.60
178.80	7	Middle	1.00
180.40	8	1 Ply (Reinforcement)	0.80
183.40	9	Cover	1.50

Wall Thickness:16.0kmm

Working Pressure:10 Bar (10Kg/cm²)

Proof Pressure:1.5 times of W.P.

Bursting Pressure: 3 times of W.P.

Reinforcement: 2 or 3 galvanized wire helices embedded in layers of Rubber compounds

End Connection: Built –in- Flange Type

Maxim length: 6.0Mtr Maximum

Application: Suction & Discharge of Sand and Gravel, Mud Slurry, Concrete Slurry /Mining Particles etc.

Bore: Smooth Bore

Bending Radius:10xInner Diameter of Hose (1500mm)

Vacuum: Minimum700mmHg (0.9Bar)

Lining material: NR/SBR Resistant to the passage of Abrasive and Corrosive Products

Hardness-50 to 60 Shore A.

Carcass: Synthetic Textile Plies with Embedded Steel Helix

Coating Material: Resistance to Severe and Bad Weather

Temperature: @1 Deg C to 100 Deg C

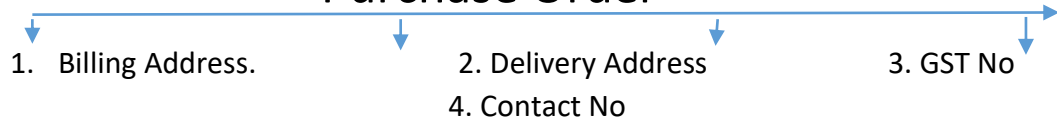
C

BUSINESS POLICY

Inquiry

Quotation

Purchase Order



Performa Invoice

Advance Payment

Take in Production as per Purchase Order

After Completed Consignment Inform to Client for
Balance Payment

Dispatch the Material

Provide LR Copy

Bank Details	
COMPANY NAME	SANDHYA ENTERPRISES
Bank	HDFC Bank Ltd
Branch	5-80,HMT Road,Chintal, Jeedimetla,Qutubulapur Mandal Dist. R R ,Hyderabad-500054 Telangana
Account No	50200016352482
IFSC	HDFC0001041
PAN No	GNLPS1299P
GST NO	36GNLpPS1299P1ZS
IEC	0916915042
AD Code	05114228381149

MSME	TS20B0028147
-------------	--------------

For More Information, Please Contact Us:

Mobile: 9652998932, 6304766851.

<mailto:sandhyapprises@gmail.com>

WhatsApp: 9652998932

YouTube: www.youtube.com/c/SANDHYAENTERPRISES

Website : <http://www.sandhyaflex.com/pvc-water-...>

Request a Quote : <https://www.sandhyaflex.com/contactus-1.php>