



**APEX PRECISION
MECHATRONIX PVT.LTD.**

303-308, Krishna Bhuvan Annex, 22-B, Govandi
Station Road, Deonar, Mumbai - 400088,
Maharashtra,
INDIA.

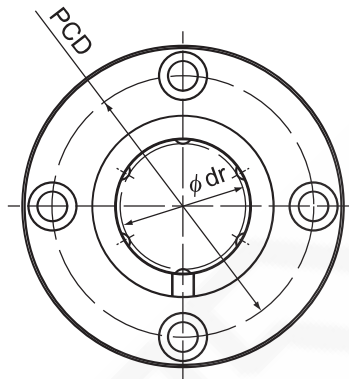
PHONE NO.

61464444 / 9967550131

EMAIL

sales@apexprecision.co.in

Model LMF



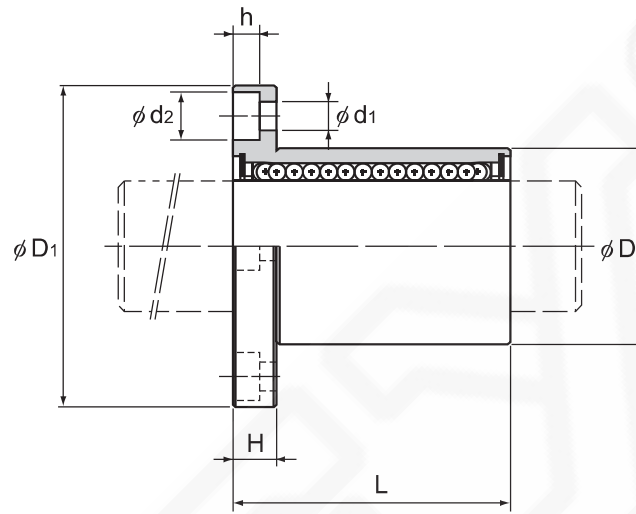
Model LMF

Model No.	Ball rows	Main dimensions							
		Inscribed bore diameter		Outer diameter		Length		Flange diameter	
		dr	Tolerance	D	Tolerance	L	Tolerance	D ₁	Tolerance
LMF 6	4	6	0 -0.009	12	0 -0.011	19	0 -0.2	28	0 -0.2
LMF 8S	4	8		15		17		32	
LMF 8	4	8		15		24		32	
LMF 10	4	10		19	29	39			
LMF 12	4	12		21	30	42			
LMF 13	4	13		23	32	43			
LMF 16	5	16	28	37	48	0 -0.3			
LMF 20	5	20	32	42	54				
LMF 25	6	25	40	59	62				
LMF 30	6	30	45	64	74				
LMF 35	6	35	52	70	82				
LMF 40	6	40	60	80	96				
LMF 50	6	50	80	100	116	0 -0.3			
LMF 60	6	60	90	110	134				

Note) Since this model contains a synthetic resin retainer, do not use it at temperature exceeding 80°C.
If requiring a type equipped with a seal, indicate it when placing an order.

(Example) LMF25 UU

Seal attached on both ends of the nut



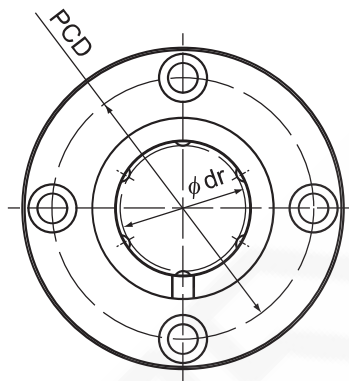
Guide Ball Bushing/Linear Bushing

Unit: mm

				Flange perpendicularity	Eccentricity (max)	Radial clearance tolerance	Basic load rating		Mass g
H	PCD	Mounting hole	C N				C ₀ N		
		d ₁ × d ₂ × h	μm	μm	μm				
5	20	3.4 × 6.5 × 3.3	12	12	-5	206	265	23	
5	24	3.4 × 6.5 × 3.3	12	12	-5	176	225	29	
5	24	3.4 × 6.5 × 3.3	12	12	-5	265	402	33	
6	29	4.5 × 8 × 4.4	12	12	-5	373	549	59	
6	32	4.5 × 8 × 4.4	12	12	-5	412	598	68	
6	33	4.5 × 8 × 4.4	12	12	-7	510	775	80	
6	38	4.5 × 8 × 4.4	12	12	-7	775	1180	126	
8	43	5.5 × 9.2 × 5.4	15	15	-9	863	1370	160	
8	51	5.5 × 9.2 × 5.4	15	15	-9	980	1570	305	
10	60	6.6 × 11 × 6.5	15	15	-9	1570	2750	422	
10	67	6.6 × 11 × 6.5	20	20	-13	1670	3140	583	
13	78	9 × 14 × 8.6	20	20	-13	2160	4020	960	
13	98	9 × 14 × 8.6	20	20	-13	3820	7940	1920	
18	112	11 × 17.5 × 10.8	25	25	-13	4710	10000	2720	

Note) If an oil hole is required, this can be indicated by appending "OH" to the end of the model number.
For further information, contact THK.

Model LMF-M (Stainless Steel Type)



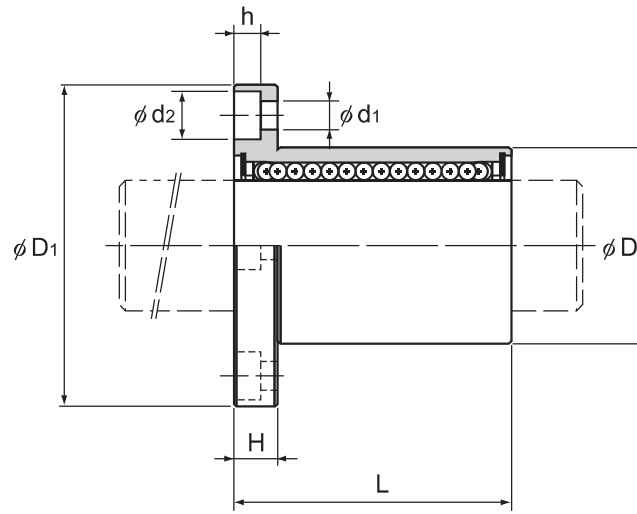
Model LMF-M

Model No.	Ball rows	Main dimensions							
		Inscribed bore diameter		Outer diameter		Length		Flange diameter	
		dr	Tolerance	D	Tolerance	L	Tolerance	D ₁	Tolerance
LMF 6M	4	6	0 -0.009	12	0 -0.011	19	0 -0.2	28	0 -0.2
LMF 8SM	4	8		15		17		32	
LMF 8M	4	8		15		24		32	
LMF 10M	4	10		19	29	39			
LMF 12M	4	12	21	30	42				
LMF 13M	4	13	23	32	43				
LMF 16M	5	16	28	37	48				
LMF 20M	5	20	0 -0.010	32	0 -0.016	42	54		
LMF 25M	6	25		59		62			
LMF 30M	6	30		45	64	74			

Note) Since this model contains a synthetic resin retainer, do not use it at temperature exceeding 80°C.
If requiring a type equipped with a seal, indicate it when placing an order.

(Example) LMF20M UU

Seal attached on both ends of the nut



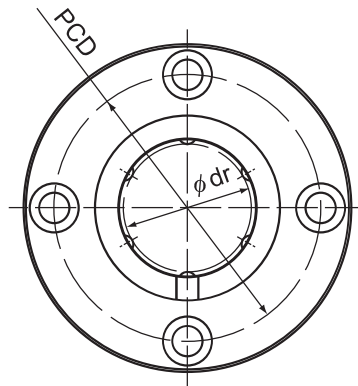
Guide Ball Bushing/Linear Bushing

Unit: mm

				Flange perpendicularity	Eccentricity (max)	Radial clearance tolerance	Basic load rating		Mass g
Mounting hole			C N				C ₀ N		
H	PCD	d ₁ × d ₂ × h		μm	μm	μm			
5	20	3.4 × 6.5 × 3.3	12	12	-5	206	265	23	
5	24	3.4 × 6.5 × 3.3	12	12	-5	176	225	29	
5	24	3.4 × 6.5 × 3.3	12	12	-5	265	402	33	
6	29	4.5 × 8 × 4.4	12	12	-5	373	549	59	
6	32	4.5 × 8 × 4.4	12	12	-5	412	598	68	
6	33	4.5 × 8 × 4.4	12	12	-7	510	775	80	
6	38	4.5 × 8 × 4.4	12	12	-7	775	1180	126	
8	43	5.5 × 9.2 × 5.4	15	15	-9	863	1370	160	
8	51	5.5 × 9.2 × 5.4	15	15	-9	980	1570	305	
10	60	6.6 × 11 × 6.5	15	15	-9	1570	2750	422	

Note) Since the nut and the balls use stainless steel, these models are highly resistant to corrosion and environment.
If an oil hole is required, this can be indicated by appending "OH" to the end of the model number.
For further information, contact THK.

Model LMF-L



Model LMF-L

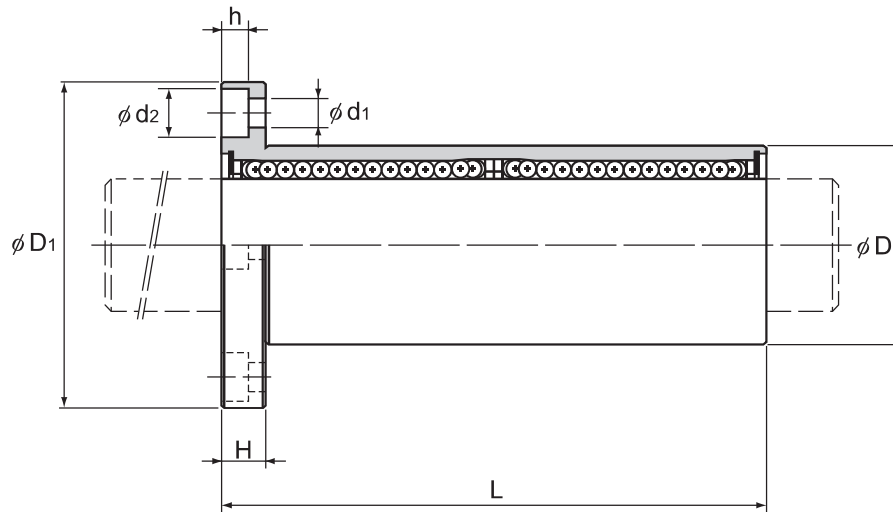
Model No. Standard type	Ball rows	Main dimensions							
		Inscribed bore diameter		Outer diameter		Length		Flange diameter	
		dr	Tolerance	D	Tolerance	L	Tolerance	D ₁	Tolerance
LMF 6L	4	6	0 -0.010	12	0	35	0 -0.3	28	0 -0.2
LMF 8L	4	8		15	-0.013	45		32	
LMF 10L	4	10		19	0	55		39	
LMF 12L	4	12		21	-0.016	57		42	
LMF 13L	4	13		23	0	61		43	
LMF 16L	5	16		28	0	70		48	
LMF 20L	5	20	32	0	80	54	0 -0.4		
LMF 25L	6	25	40	-0.019	112	62			
LMF 30L	6	30	45	0	123	74			
LMF 35L	6	35	52	0	135	82			
LMF 40L	6	40	60	-0.022	154	96			
LMF 50L	6	50	80	0	192	116			
LMF 60L	6	60	90	-0.025	211	134	0 -0.3		

Note) Since this model contains a synthetic resin retainer, do not use it at temperature exceeding 80°C.

If requiring a type equipped with a seal, indicate it when placing an order.

(Example) LMF35L UU

└─── Seal attached on both ends of the nut



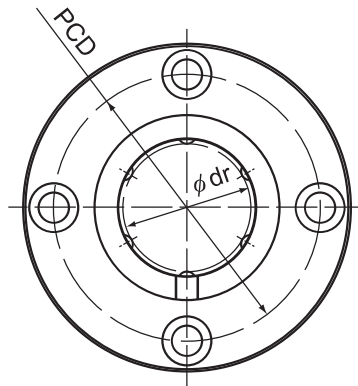
Guide Ball Bushing/Linear Bushing

Unit: mm

	H	PCD	Mounting hole $d_1 \times d_2 \times h$	Flange perpendicularity μm	Eccentricity (max) μm	Radial clearance tolerance μm	Basic load rating		Mass g
							C N	C_0 N	
	5	20	$3.4 \times 6.5 \times 3.3$	15	15	-5	324	529	29
	5	24	$3.4 \times 6.5 \times 3.3$	15	15	-5	431	784	45
	6	29	$4.5 \times 8 \times 4.4$	15	15	-5	588	1100	81
	6	32	$4.5 \times 8 \times 4.4$	15	15	-5	657	1200	93
	6	33	$4.5 \times 8 \times 4.4$	15	15	-7	814	1570	115
	6	38	$4.5 \times 8 \times 4.4$	15	15	-7	1230	2350	194
	8	43	$5.5 \times 9.2 \times 5.4$	20	20	-9	1400	2750	250
	8	51	$5.5 \times 9.2 \times 5.4$	20	20	-9	1560	3140	500
	10	60	$6.6 \times 11 \times 6.5$	20	20	-9	2490	5490	646
	10	67	$6.6 \times 11 \times 6.5$	25	25	-13	2650	6270	930
	13	78	$9 \times 14 \times 8.6$	25	25	-13	3430	8040	1488
	13	98	$9 \times 14 \times 8.6$	25	25	-13	6080	15900	3268
	18	112	$11 \times 17.5 \times 10.8$	25	25	-13	7650	20000	4342

Note) If an oil hole is required, this can be indicated by appending "OH" to the end of the model number.
For further information, contact THK.

Model LMF-ML (Stainless Steel Type)



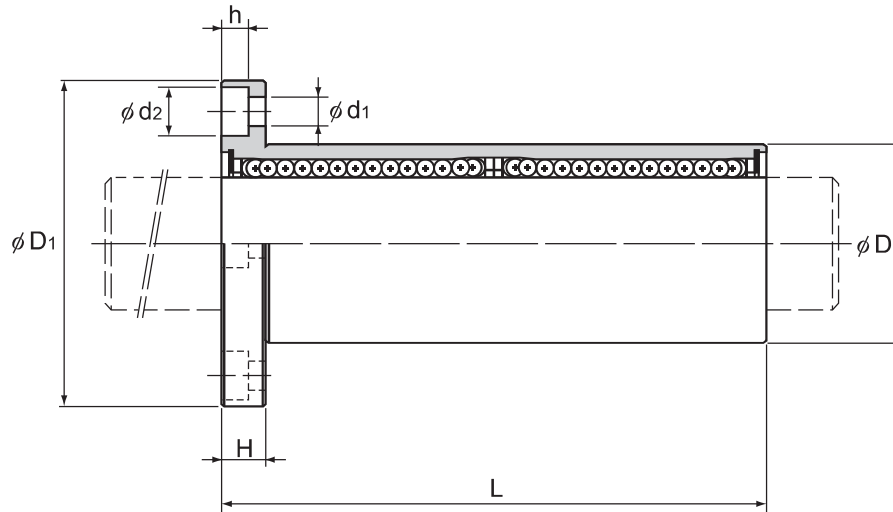
Model LMF-ML

Model No.	Ball rows	Main dimensions							
		Inscribed bore diameter		Outer diameter		Length		Flange diameter	
		dr	Tolerance	D	Tolerance	L	Tolerance	D ₁	Tolerance
LMF 6ML	4	6	0 -0.010	12	0	35	0 -0.3	28	0 -0.2
LMF 8ML	4	8		15	-0.013	45		32	
LMF 10ML	4	10		19	0	55		39	
LMF 12ML	4	12		21	-0.016	57		42	
LMF 13ML	4	13	23	0	61	43			
LMF 16ML	5	16	28	0	70	48			
LMF 20ML	5	20	32	-0.019	80	54			
LMF 25ML	6	25	40	0	112	62			
LMF 30ML	6	30	45	0	123	74			

Note) Since this model contains a synthetic resin retainer, do not use it at temperature exceeding 80°C.
If requiring a type equipped with a seal, indicate it when placing an order.

(Example) LMF13ML UU

Seal attached on both ends of the nut



Unit: mm

				Flange perpendicularity μm	Eccentricity (max) μm	Radial clearance tolerance μm	Basic load rating		Mass g
H	PCD	Mounting hole $d_1 \times d_2 \times h$	C N				C_0 N		
5	20	$3.4 \times 6.5 \times 3.3$	15	15	-5	324	529	29	
5	24	$3.4 \times 6.5 \times 3.3$	15	15	-5	431	784	45	
6	29	$4.5 \times 8 \times 4.4$	15	15	-5	588	1100	81	
6	32	$4.5 \times 8 \times 4.4$	15	15	-5	657	1200	93	
6	33	$4.5 \times 8 \times 4.4$	15	15	-7	814	1570	115	
6	38	$4.5 \times 8 \times 4.4$	15	15	-7	1230	2350	194	
8	43	$5.5 \times 9.2 \times 5.4$	20	20	-9	1400	2750	250	
8	51	$5.5 \times 9.2 \times 5.4$	20	20	-9	1560	3140	500	
10	60	$6.6 \times 11 \times 6.5$	20	20	-9	2490	5490	646	

Note) Since the nut and the balls use stainless steel, these models are highly resistant to corrosion and environment.
If an oil hole is required, this can be indicated by appending "OH" to the end of the model number.
For further information, contact THK.