

BACKWARD CURVED RADIAL FANS

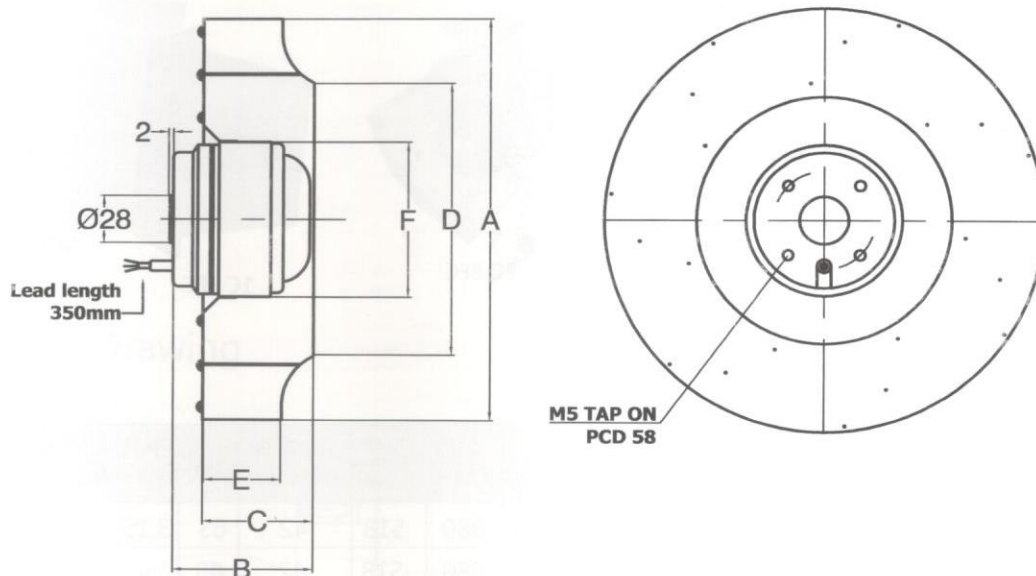


Technical Specification*

TYPE	I/P SUPPLY	AMPS (A)	WATTS (W)	RPM	AIRFLOW		STATIC-PR (mm-wc)	dBA	CAP. μ f	ADMISSIBLE AMBIENT TEMP	WEIGHT Kg
					(CMH)	(CFM)					
SBC 14 S2	230V, 1 \emptyset , 50Hz	0.08	25	2800	290	171	17	50	1	60	0.9
SBC 14 T2	415V, 3 \emptyset , 50Hz	0.10	35	2800	290	170	17	50	..	60	0.9
SBC 19 S2	230V, 1 \emptyset , 50Hz	0.35	75	2550	570	335	32	62	2	60	1.2
SBC 19 S4	230V, 1 \emptyset , 50Hz	0.21	28	1340	300	176	12	54	2	60	1.2
SBC 19 T2	415V, 3 \emptyset , 50Hz	0.20	80	2550	570	335	32	55	..	60	1.2
SBC 22 S2	230V, 1 \emptyset , 50Hz	0.40	110	2700	885	521	42	72	2	60	2.0
SBC 23 S2	230V, 1 \emptyset , 50Hz	0.55	130	2650	1200	706	55	70	4	60	2.5
SBC 23 T2	415V, 3 \emptyset , 50Hz	0.45	135	2650	1200	706	55	70	..	60	2.5
SBC 23 T2/60Hz	415V, 3 \emptyset , 60Hz	0.42	145	3000	1275	750	60	72	..	60	2.7
SBC 25 S4/35	230V, 1 \emptyset , 50Hz	0.20	100	1400	810	476	18	61	2	60	2.2
SBC 25 S2/35	230V, 1 \emptyset , 50Hz	0.60	140	2650	1230	724	52	73	4	60	2.6
SBC 25 T2/35	415V, 3 \emptyset , 50Hz	0.25	130	2600	1200	705	51	72	..	60	2.6
SBC 25 S2/45	230V, 1 \emptyset , 50Hz	0.70	175	2600	1450	853	57	75	5	60	3.1

*Tolerance \pm 5% on Specified values

PRODUCT DRAWING



Dimensional Details

TYPE	A(OD)	B(TOTAL HEIGHT)	C(FAN WIDTH)	D(SUCTION DIA)	E(THROW WIDTH)	F(ROTOR DIA)
SBC 14 (S)	133	73	60	92	42	72
SBC 14 (STD)	133	94	60	92	42	72
SBC 19	190	77	62	132	44	92
SBC 22	220	77	66	160	44	92
SBC 23	225	99	85	154	62	92
SBC 25/35	250	86	74	175	45	92
SBC 25/45	250	106	86	175	56	92

Note: ALL DIMENSIONS ARE IN mm

Performance Chart

