

TGM INTERNATIONAL



Our Products

WORK HOLDING DEVICES

we are supply most of the products,which can be used in both dedicated Machine Shop work

parts holding as well as modular Jigs and Fixturing assembly.we are continuously adding more

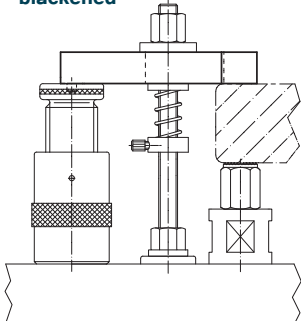
#products in our supply range National / International standards and customer re quirement based also.

*Kinldy forward your Inquiry : tgmindia2016@gmail.com Contact: +91-9629544041- 9952529181

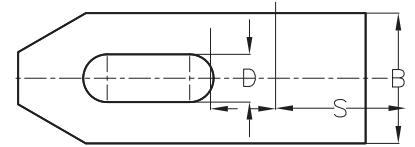
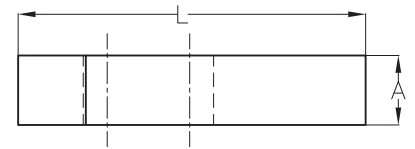
Flat Strap Clamp

STD : IS 4292-1984 & DIN 6314

* **Material: Medium Carbon Steel, hardened and tempered to 24-32 HRC and Chemically blackened**



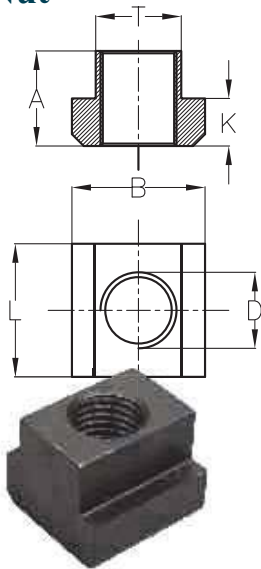
TYPE	D x L	A	B	K	S	Suitable for screw size	Weight in kg
TGM-FSC-960	9 x 60	14	25	13	22	M8	0.15
TGM-FSC-1180	11 x 80	16	30	15	30	M10	0.25
TGM-FSC-14100	14 x 100	20	40	21	40	M12	0.50
TGM-FSC-14125	14 x 125	20	40	21	50	M12	0.65
TGM-FSC-18125	18 x 125	25	50	26	45	M16	1.00
TGM-FSC-18160	18 x 160	25	50	26	65	M16	1.25
TGM-FSC-22160	22 x 160	35	60	30	60	M20	2.10
TGM-FSC-22200	22 x 200	35	60	30	80	M20	2.65
TGM-FSC-26200	26 x 200	35	70	35	80	M24	3.25
TGM-FSC-26250	26 x 250	40	70	35	105	M24	4.15
TGM-FSC-33250	33 x 250	39	79	45	100	M30	4.80
TGM-FSC-33315	33 x 315	49	79	45	130	M30	7.90
TGM-FSC-39315	39 x 315	45	90	48	125	M36	8.35
TGM-FSC-39350	39 x 350	55	90	48	150	M36	11.40
TGM-FSC-39400	39 x 400	55	90	48	180	M36	13.20



T Nut

Material: Medium carbon steel, hardened and tempered to 24-32 HRC and Chemically Blackened.

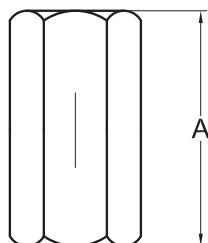
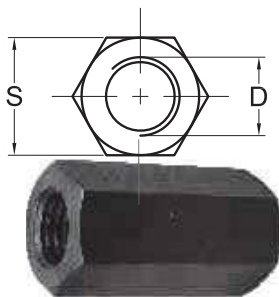
Note : M14 T nut also available



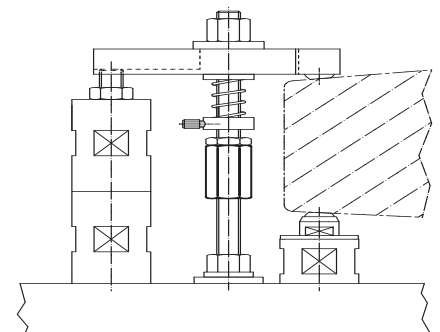
TYPE: TGM-TN		IS: 2015 - 1977			
TYPE	T x ØD	A	K	B x L	Weight in kg
TGM-TN-86	8 x M6	10	6	13 x 13	0.010
TGM-TN-108	10 x M8	12	6	15 x 15	0.012
TGM-TN-1210	12 x M10	14	7	18 x 18	0.020
TGM-TN-1412	14 x M12	16	8	22 x 22	0.035
TGM-TN-1612	16 x M12	18	9	25 x 25	0.055
TGM-TN-1816	18 x M16	20	10	28 x 28	0.070
TGM-TN-2016	20 x M16	24	12	32 x 32	0.115
TGM-TN-2018	20 x M18	24	12	32 x 32	0.160
TGM-TN-2216	22 x M16	28	14	35 x 35	0.165
TGM-TN-2220	22 x M20	28	14	35 x 35	0.145
TGM-TN-2420	24 x M20	32	16	40 x 40	0.230
TGM-TN-2824	28 x M24	36	18	44 x 44	0.315
TGM-TN-3630	36 x M30	44	22	54 x 54	0.600
TGM-TN-4236	42 x M36	52	26	65 x 65	1.000

Material: Medium carbon steel, hardened and tempered to 24-32 HRC and Chemically Blackened.

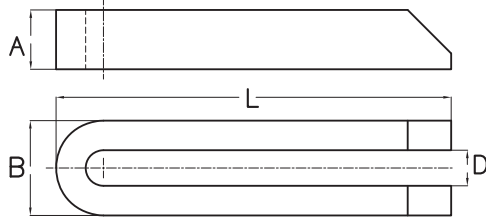
Extension Nut



TYPE: TGM-EN		DIN: 6334	
TYPE	ØD x A	S	Weight in kg
TGM-EN-824	M8 x 24	13	0.020
TGM-EN-1030	M10 x 30	17	0.045
TGM-EN-1236	M12 x 36	19	0.060
TGM-EN-1648	M16 x 48	24	0.115
TGM-EN-2060	M20 x 60	30	0.230
TGM-EN-2472	M24 x 72	36	0.400
TGM-EN-3090	M30 x 90	46	0.850
TGM-EN-36108	M36 x 108	55	1.415



U Clamp



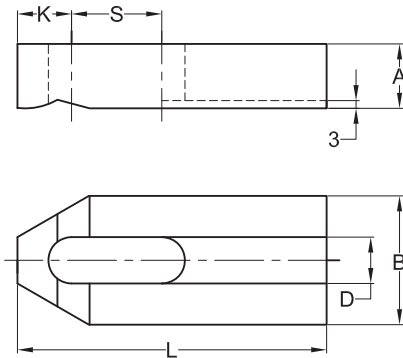
Due to openness of the slot, clamp can be inserted/ removed without disturbing the clamping system

Material: Medium carbon steel, hardened and tempered to 24-32 HRC and Chemically Blackened.

TYPE: TGM-UC				IS: 4293 - 1984		
TYPE	D x L	A	B	Suitable for screw size	Weight in kg	
TGM-UC-11100	11 x 100	20	31	M10	0.30	
TGM-UC-14125	14 x 125	25	38	M12	0.55	
TGM-UC-14160	14 x 160	25	38	M12	0.70	
TGM-UC-18160	18 x 160	30	48	M16	1.10	
TGM-UC-18200	18 x 200	30	48	M16	1.35	
TGM-UC-22200	22 x 200	40	52	M20	1.80	
TGM-UC-22250	22 x 250	40	62	M20	3.00	
TGM-UC-26200	26 x 200	40	66	M24	2.35	
TGM-UC-26250	26 x 250	40	66	M24	2.95	
TGM-UC-33250	33 x 250	49	74	M30	3.80	
TGM-UC-33315	33 x 315	48	74	M30	4.65	
TGM-UC-33400	33 x 400	48	74	M30	6.05	
TGM-UC-33500	33 x 500	48	74	M30	7.70	
TGM-UC-40400	40 x 400	58	98	M36	10.00	
TGM-UC-40500	40 x 500	58	98	M36	12.85	
TGM-UC-40600	40 x 600	58	98	M36	15.70	

Slotted Clamp

Material: Medium carbon steel, hardened and tempered to 24-32 HRC and Chemically Blackened.

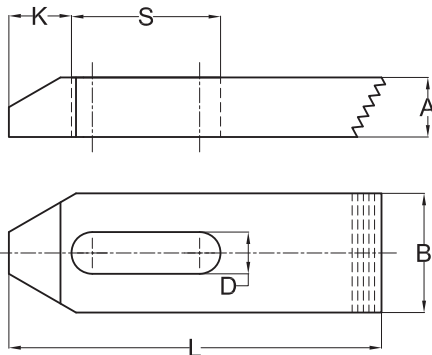


TYPE: TGM-SC						IS: 6082 - 1985	
TYPE	D x L	A	B	K	S	Suitable for screw size	Weight in kg
TGM-SC-1175	11 x 75	16	30	15	20	M10	0.20
TGM-SC-1195	11 x 95	16	30	15	30	M10	0.25
TGM-SC-14100	14 x 100	20	40	18	30	M12	0.45
TGM-SC-14115	14 x 115	20	40	18	38	M12	0.55
TGM-SC-18120	18 x 120	25	50	21	35	M16	0.85
TGM-SC-18135	18 x 135	25	50	21	42	M16	1.00
TGM-SC-22140	22 x 140	30	60	25	40	M20	1.40
TGM-SC-22150	22 x 150	30	60	25	50	M20	1.55
TGM-SC-26200	26 x 200	35	70	35	55	M24	2.95
TGM-SC-26240	26 x 240	35	70	35	75	M24	3.55
TGM-SC-33250	33 x 250	39	79	45	70	M30	4.40
TGM-SC-33300	33 x 300	39	79	45	95	M30	5.20

Serrated Strap Clamp

Material: Medium carbon steel, hardened and tempered to 24-32 HRC and Chemically Blackened.

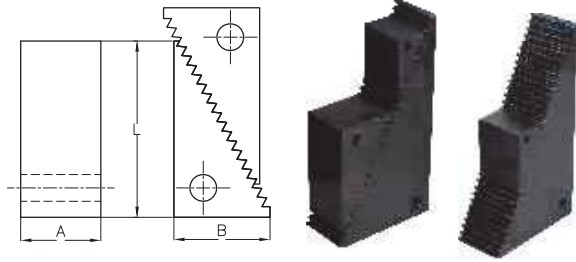
Applications: On machines for work holding in combination with



TYPE: TGM-SSC						DIN: 6314 Z	
TYPE	D x L	A	B	K	S	Suitable for screw size	Weight in kg
TGM-SSC-960	9 x 60	12	25	13	22	M8	0.10
TGM-SSC-1180	11 x 80	15	30	15	30	M10	0.20
TGM-SSC-14100	14 x 100	20	40	21	40	M12	0.45
TGM-SSC-14125	14 x 125	20	40	21	50	M12	0.60
TGM-SSC-18125	18 x 125	25	50	26	45	M16	0.90
TGM-SSC-18160	18 x 160	25	50	26	65	M16	1.20
TGM-SSC-22160	22 x 160	30	60	30	60	M20	1.65
TGM-SSC-22200	22 x 200	30	60	30	80	M20	2.10
TGM-SSC-26200	26 x 200	30	70	35	80	M24	2.40

Universal Serrated Blocks (Type: TGM3-USB) for instant height adjustment.

Universal Serrated Block



TYPE: TGM-USB					
TYPE	A	B x L	Height Adjustment		Weight In kg
			Minimum	Maximum	
TGM-USB-001	30	20 x 33	22	50	0.15
TGM-USB-002	30	36 x 66	40	107	0.55
TGM-USB-003	30	68 x 131	70	208	2.10
TGM-USB-004	50	20 x 33	22	50	0.30
TGM-USB-005	50	36 x 66	40	107	0.90
TGM-USB-006	50	68 x 131	70	208	3.45

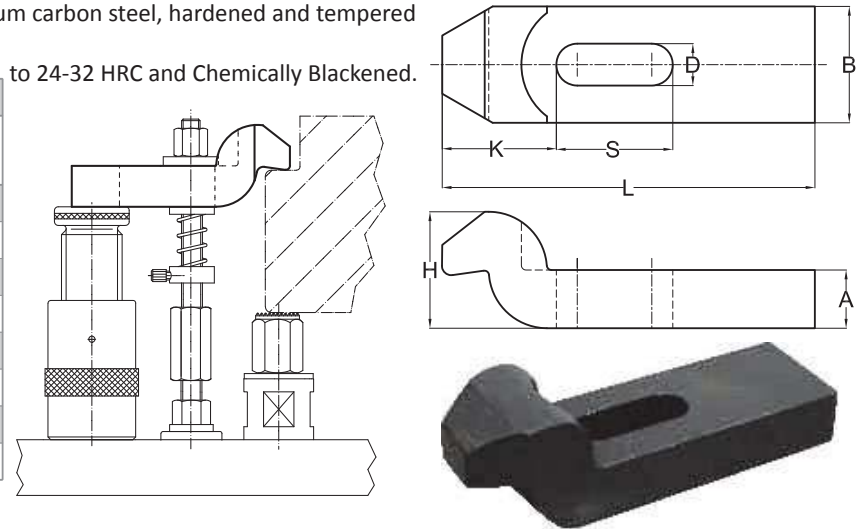
Material: Medium carbon steel, hardened and tempered to 24-32 HRC and Chemically Blackened.

Applications: Combinations of 3 sizes in each group offers instant height adjustment for work support. Also recommended for use along with serrated strap clamp (Type: TGM-SSC)

Goose Neck Clamp

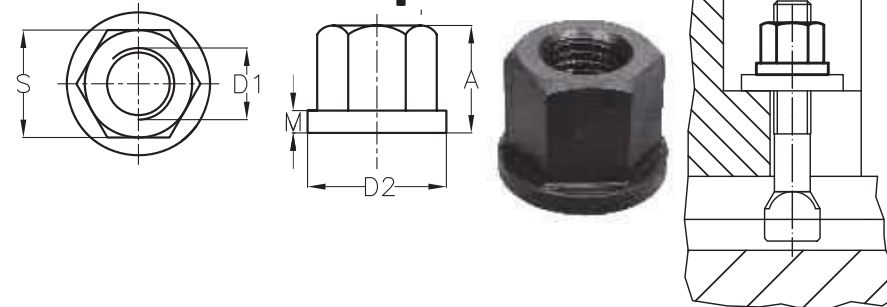
Material: Medium carbon steel, hardened and tempered to 24-32 HRC and Chemically Blackened.

TYPE: TGM-GNC		IS: 4279-1975						
TYPE	D x L	A	B	H	K	S	Suitable for screw size	Weight in kg
TGM-GNC-11100	11 x 100	15	30	30	32	32	M10	0.30
TGM-GNC-14125	14 x 125	20	40	40	40	40	M12	0.75
TGM-GNC-18160	18 x 160	25	50	50	49	50	M16	1.45
TGM-GNC-22200	22 x 200	30	60	60	55	70	M20	2.50
TGM-GNC-26250	26 x 250	35	70	80	72	80	M24	5.00
TGM-GNC-33250	33 x 250	40	80	80	91	80	M30	5.70
TGM-GNC-33315	33 x 315	50	80	100	91	100	M30	8.90
TGM-GNC-39400	39 x 400	60	100	120	105	120	M36	17.0



Flanged Hex Nut

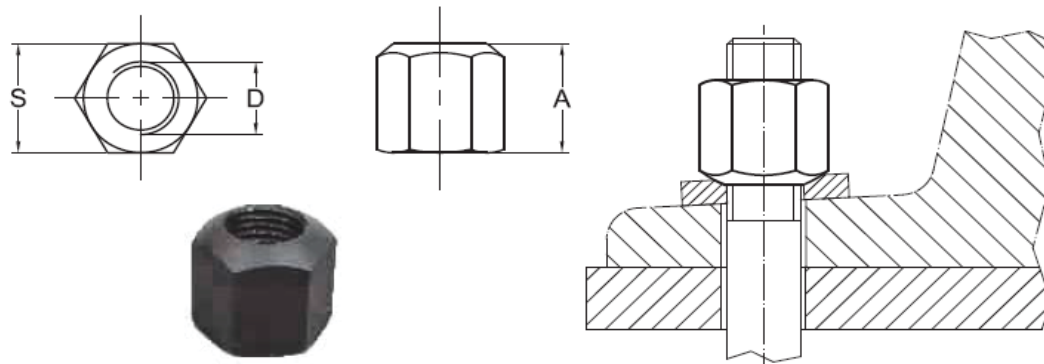
Material: Medium carbon steel, hardened and tempered to 24-32 HRC and Chemically Blackened.



TYPE: TGM-FHN		IS: 7795 - 1975				
TYPE	D1	D2	M	A	S	Weight in kg
TGM-FHN-818	M8	18	3.5	12	13	0.010
TGM-FHN-1022	M10	22	4	15	17	0.025
TGM-FHN-1225	M12	25	4	18	19	0.035
TGM-FHN-1631	M16	31	5	24	24	0.070
TGM-FHN-2037	M20	37	6	30	30	0.130
TGM-FHN-2445	M24	45	6	36	36	0.220
TGM-FHN-3058	M30	58	8	45	46	0.470
TGM-FHN-3668	M36	68	10	54	55	0.800

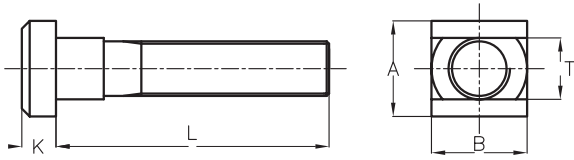
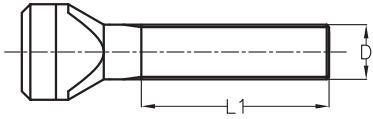
Hex Hi-Nut

Material: Medium carbon steel, hardened and tempered to 24-32 HRC and Chemically Blackened.



TYPE: TGM-HN		DIN: 6330	
TYPE	ØD x A	S	Weight in kg
TGM-HN-812	M8 x 12	13	0.010
TGM-HN-1015	M10 x 15	17	0.015
TGM-HN-1218	M12 x 18	19	0.025
TGM-HN-1624	M16 x 24	24	0.055
TGM-HN-2030	M20 x 30	30	0.110
TGM-HN-2436	M24 x 36	36	0.195
TGM-HN-3045	M30 x 45	46	0.400
TGM-HN-3654	M36 x 54	55	0.780

Forged T-Bolt



TYPE: TGM - TB		IS: 2014 - 1996					
TYPE	ØD	T-SLOT Size T	L	K	L1	A x B	Wt. kg
TGM-TB-832	M8	8	32	6	22	13 x 13	0.020
TGM-TB-850	M8	8	50	6	35	13 x 13	0.025
TGM-TB-865	M8	8	65	6	35	13 x 13	0.015
TGM-TB-880	M8	8	80	6	50	13 x 13	0.035
TGM-TB-1040	M10	10	40	6	30	15 x 15	0.030
TGM-TB-1065	M10	10	65	6	45	15 x 15	0.045
TGM-TB-1080	M10	10	80	6	40	15 x 15	0.055
TGM-TB-10100	M10	10	100	6	60	15 x 15	0.065
TGM-TB-1250	M12	12	50	7	35	18 x 18	0.060
TGM-TB-1265	M12	12	65	7	40	18 x 18	0.070
TGM-TB-1280	M12	12	80	7	55	18 x 18	0.080
TGM-TB-12100	M12	12	100	7	50	18 x 18	0.10
TGM-TB-12125	M12	12	125	7	75	18 x 18	0.15
TGM-TB-12160	M12	12	160	7	80	18 x 18	0.15
TGM-TB-12200	M12	12	200	7	120	18 x 18	0.20
TGM-TB-1450	M12	14	50	8	35	22 x 22	0.10
TGM-TB-1465	M12	14	65	8	40	22 x 22	0.10
TGM-TB-1480	M12	14	80	8	55	22 x 22	0.10
TGM-TB-14100	M12	14	100	8	50	22 x 22	0.12
TGM-TB-14125	M12	14	125	8	75	22 x 22	0.15
TGM-TB-14160	M12	14	160	8	80	22 x 22	0.15
TGM-TB-14200	M12	14	200	8	120	22 x 22	0.20
TGM-TB-14250	M12	14	250	8	150	22 x 22	0.25
TGM-TB-1665	M16	16	65	9	45	25 x 25	0.15
TGM-TB-1680	M16	16	80	9	55	25 x 25	0.15
TGM-TB-16100	M16	16	100	9	65	25 x 25	0.20
TGM-TB-16125	M16	16	125	9	80	25 x 25	0.25
TGM-TB-16160	M16	16	160	9	100	25 x 25	0.27
TGM-TB-16200	M16	16	200	9	125	25 x 25	0.30
TGM-TB-16250	M16	16	250	9	150	25 x 25	0.40
TGM-TB-1865	M16	18	65	10	45	28 x 28	0.15
TGM-TB-1880	M16	18	80	10	55	28 x 28	0.20
TGM-TB-18100	M16	18	100	10	65	28 x 28	0.20
TGM-TB-18125	M16	18	125	10	80	28 x 28	0.25
TGM-TB-18160	M16	18	160	10	100	28 x 28	0.30
TGM-TB-18200	M16	18	200	10	125	28 x 28	0.35
TGM-TB-18250	M16	18	250	10	150	28 x 28	0.45

TYPE: TGM - TB		IS: 2014 - 1996					
TYPE	ØD	T-SLOT Size T	L	K	L1	A x B	Wt. kg
TGM-TB-2080	M20	20	80	12	55	32 x 32	0.30
TGM-TB-20100	M20	20	100	12	65	32 x 32	0.35
TGM-TB-20125	M20	20	125	12	85	32 x 32	0.40
TGM-TB-20160	M20	20	160	12	110	32 x 32	0.45
TGM-TB-20200	M20	20	200	12	125	32 x 32	0.55
TGM-TB-20250	M20	20	250	12	150	32 x 32	0.65
TGM-TB-20320	M20	20	320	12	190	32 x 32	0.75
TGM-TB-2280	M20	22	80	14	55	35 x 35	0.35
TGM-TB-22100	M20	22	100	14	65	35 x 35	0.40
TGM-TB-22125	M20	22	125	14	85	35 x 35	0.45
TGM-TB-22160	M20	22	160	14	110	35 x 35	0.50
TGM-TB-22200	M20	22	200	14	125	35 x 35	0.60
TGM-TB-22250	M20	22	250	14	150	35 x 35	0.70
TGM-TB-22320	M20	22	320	14	190	35 x 35	0.80
TGM-TB-24100	M24	24	100	16	70	40 x 40	0.55
TGM-TB-24125	M24	24	125	16	85	40 x 40	0.60
TGM-TB-24160	M24	24	160	16	110	40 x 40	0.75
TGM-TB-24200	M24	24	200	16	125	40 x 40	0.85
TGM-TB-24250	M24	24	250	16	150	40 x 40	1.00
TGM-TB-24320	M24	24	320	16	190	40 x 40	1.25
TGM-TB-24400	M24	24	400	16	240	40 x 40	1.40
TGM-TB-28100	M24	28	100	18	70	44 x 44	0.65
TGM-TB-28125	M24	28	125	18	85	44 x 44	0.65
TGM-TB-28160	M24	28	160	18	110	44 x 44	0.85
TGM-TB-28200	M24	28	200	18	125	44 x 44	0.95
TGM-TB-28250	M24	28	250	18	150	44 x 44	1.15
TGM-TB-28320	M24	28	320	18	190	44 x 44	1.35
TGM-TB-28400	M24	28	400	18	240	44 x 44	1.60
TGM-TB-36125	M30	36	125	22	80	54 x 54	1.25
TGM-TB-36160	M30	36	160	22	110	54 x 54	1.45
TGM-TB-36200	M30	36	200	22	135	54 x 54	1.60
TGM-TB-36250	M30	36	250	22	150	54 x 54	1.90
TGM-TB-36320	M30	36	320	22	200	54 x 54	2.05
TGM-TB-36400	M30	36	400	22	250	54 x 54	2.20
TGM-TB-42160	M36	42	160	26	100	65 x 65	2.75
TGM-TB-42200	M36	42	200	26	150	65 x 65	2.90
TGM-TB-42250	M36	42	250	26	175	65 x 65	3.00
TGM-TB-42320	M36	42	320	26	200	65 x 65	3.15
TGM-TB-42400	M36	42	400	26	250	65 x 65	3.35



Material: Medium carbon steel, hardened and tempered to 8.8 Grade as per IS: 1367-2002 (Part III) and Chemically Blackened.

Note: Other sizes/grades and bolts with round base supplied on request.

Clamping Stud

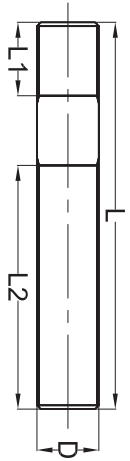
Material: Medium carbon steel, hardened and tempered to 8.8 grade as per IS : 1367 – 2002 (Part III) and Chemically Blackened. **Note:** Other sizes/grades available on request.



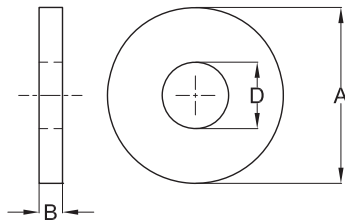
TYPE: TGM-CS		IS: 13178 - 1991			
TYPE	ØD x L	L1	L2	Weight in kg	
TGM-CS-840	M8 x 40	11	20	0.015	
TGM-CS-850	M8 x 50	11	25	0.016	
TGM-CS-863	M8 x 63	11	40	0.020	
TGM-CS-880	M8 x 80	11	50	0.030	
TGM-CS-8100	M8 x 100	11	63	0.040	
TGM-CS-1050	M10 x 50	13	25	0.025	
TGM-CS-1063	M10 x 63	13	40	0.030	
TGM-CS-1080	M10 x 80	13	50	0.040	
TGM-CS-10100	M10 x 100	13	63	0.050	
TGM-CS-10125	M10 x 125	13	75	0.065	
TGM-CS-1250	M12 x 50	15	25	0.035	
TGM-CS-1263	M12 x 63	15	32	0.050	
TGM-CS-1280	M12 x 80	15	50	0.060	
TGM-CS-12100	M12 x 100	15	63	0.070	
TGM-CS-12125	M12 x 125	15	75	0.095	
TGM-CS-12160	M12 x 160	15	100	0.120	
TGM-CS-12200	M12 x 200	15	125	0.150	
TGM-CS-1663	M16 x 63	19	32	0.085	
TGM-CS-1680	M16 x 80	19	50	0.105	
TGM-CS-16100	M16 x 100	19	63	0.135	
TGM-CS-16125	M16 x 125	19	75	0.170	

TYPE: TGM-CS		IS: 13178 - 1991			
TYPE	ØD x L	L1	L2	Weight in kg	
TGM-CS-16160	M16 x 160	19	100	0.220	
TGM-CS-16200	M16 x 200	19	125	0.275	
TGM-CS-16250	M16 x 250	19	160	0.340	
TGM-CS-2080	M20 x 80	27	32	0.170	
TGM-CS-20100	M20 x 100	27	63	0.270	
TGM-CS-20125	M20 x 125	27	70	0.265	
TGM-CS-20160	M20 x 160	27	100	0.340	
TGM-CS-20200	M20 x 200	27	125	0.430	
TGM-CS-20250	M20 x 250	27	160	0.540	
TGM-CS-20315	M20 x 315	27	190	0.680	
TGM-CS-20400	M20 x 400	27	250	0.965	
TGM-CS-20500	M20 x 500	27	315	1.095	
TGM-CS-24100	M24 x 100	35	45	0.310	
TGM-CS-24125	M24 x 125	35	70	0.380	
TGM-CS-24160	M24 x 160	35	100	0.490	
TGM-CS-24200	M24 x 200	35	125	0.615	
TGM-CS-24250	M24 x 250	35	160	0.775	
TGM-CS-24315	M24 x 315	35	190	0.970	
TGM-CS-24400	M24 x 400	35	250	1.230	
TGM-CS-24500	M24 x 500	35	315	1.535	

TYPE: TGM-CS		IS: 13178 - 1991			
TYPE	ØD x L	L1	L2	Weight in kg	
TGM-CS-30125	M30 x 125	43	56	0.480	
TGM-CS-30160	M30 x 160	43	100	0.760	
TGM-CS-30200	M30 x 200	43	125	0.950	
TGM-CS-30250	M30 x 250	43	160	1.210	
TGM-CS-30315	M30 x 315	43	190	1.480	
TGM-CS-30400	M30 x 400	43	250	1.970	
TGM-CS-30500	M30 x 500	43	315	2.455	
TGM-CS-30700	M30 x 700	43	400	3.440	
TGM-CS-36160	M36 x 160	51	80	0.945	
TGM-CS-36200	M36 x 200	51	125	1.180	
TGM-CS-36250	M36 x 250	51	160	1.475	
TGM-CS-36315	M36 x 315	51	190	1.855	
TGM-CS-36400	M36 x 400	51	250	2.360	
TGM-CS-36500	M36 x 500	51	315	2.950	
TGM-CS-36700	M36 x 700	51	400	4.125	



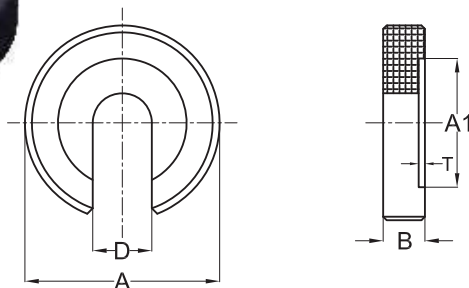
Plain Washer (Thick)



Material: Low carbon steel, case hardened to 35-42 HRC and Chemically Blackened.

TYPE: TGM-PW-DIN		DIN: 6340		
TYPE	A	D	B	Weight in kg
TGM-PW-DIN-M8	23	8.4	4	0.01
TGM-PW-DIN-M10	28	10.5	4	0.02
TGM-PW-DIN-M12	35	13	5	0.04
TGM-PW-DIN-M14	40	15	5	0.05
TGM-PW-DIN-M16	45	17	6	0.06
TGM-PW-DIN-M20	50	21	6	0.08
TGM-PW-DIN-M24	60	25	8	0.15
TGM-PW-DIN-M30	68	31	10	0.25
TGM-PW-DIN-M36	80	38	12	0.30

C Washer



TYPE: TGM-CWN		IS: 4291 - 1996				
TYPE	A	D	B	A1	T	Weight in kg
TGM-CWN-M8	28	8.4	7	21	1	0.02
TGM-CWN-M10	34	10.5	8	25	1.2	0.04
TGM-CWN-M12	40	13	9	30	1.8	0.05
TGM-CWN-M16	56	17	12	37	1.8	0.16
TGM-CWN-M20	64	21	14	45	2	0.25
TGM-CWN-M24	75	25	16	52	2	0.35
TGM-CWN-M30	90	31	18	65	2	0.60
TGM-CWN-M36	100	37	20	75	2.5	0.80

* Material: Medium Carbon Steel, hardened and tempered to 24-32 HRC * Chemically blackened

Self Aligning Ball Element



Material: Ball: Hardened and tempered steel
Body: Toughened Steel , Chemically Blackened

Features: The self aligning serrated ball set into the socket adjusts to the plane of the working surface while clamping.

TYPE: TGM-SBE							
TYPE	D1	D2	D3	S	L	H	Weight In kg
TGM-SBE-6	13	M6	10	11	13	19	0.01
TGM-SBE-8	13	M8	10	11	13	21	0.01
TGM-SBE-10	20	M10	16	17	18	28	0.05
TGM-SBE-12	20	M12	16	17	18	30	0.05
TGM-SBE-16	30	M16	25	27	27	43	0.15
TGM-SBE-20	50	M20	40	41	35	55	0.45
TGM-SBE-24	50	M24	40	41	35	59	0.50

ADJUSTABLE SELF ALIGNING PAD

FEATURES

- Useful for clamping the job from top or bottom
- The ball swivels and provides contact with no damage to surface.

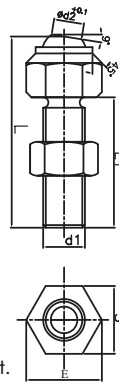
MATERIAL :Body Steel.Ball : Hardened bearing quality.

FINISH: Blocken

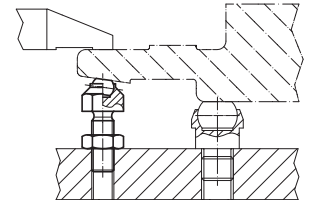
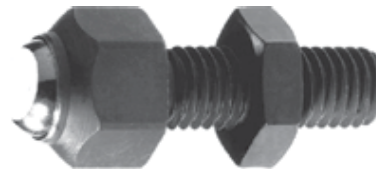
NOTE:These self aligning pads serve as stops, supports

thrust elements in Jigs & Fixtures. They can also be fitted to existing clamping elements.

- These pads are useful for holding components firmly on machines, While eliminating chances of vibration / chatter which may be induced due to insufficient clamping forces exerted due to point contact.
- Can be adjusted to variations in different heights.



With Male Thread Type C (Flat) or F (Serrated)									
Model No		S	d1	L	L1	Ø d2	E	Ø BALL	Max load capacity kN (for static load only)
Type C	Type F								
SAPA-C M8	SAPA-F M8	13	M8	36.6	25	5.8	14.5	8.5	8
SAPA-C M10	SAPA-F M10	17	M10	45.7	30	8.6	19	12	8
SAPA-C M12	SAPA-F M12	17	M12	50.7	35	8.6	19	12	15
SAPA-C M16	SAPA-F M16	24	M16	60.7	40	10.5	27	16	25
SAPA-C M20	SAPA-F M20	24	M20	77.3	50	20	33	25	90

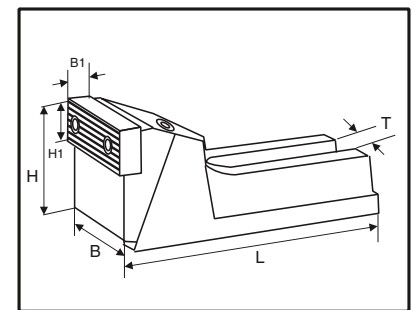


Down Hold Milling Clamp

- Rigid, positive clamping for medium to heavy cutting forces.
- Prevents the work piece from lifting up from the table. This positive clamping action is achieved because of the downward & forward movement of sliding jaws while tightening.
- Two-piece construction allows almost no constraint on work-piece overall dimensions.
- Unique design allows working with high cutting forces while machining.
- There is quick clamping action for faster setting up of jobs.
- Also suitable for holding non-magnetic work-pieces on magnetic surface plates.

Applications.

- Recommended for use on milling, planning, jig boring, shaping, grinding, and drilling machines as well as vertical Turret Lathes.
- Special fixtures for fast clamping & de-clamping.



TYPE	L	B	H	B1	H1	T	Force (Kgs.)	wt. in kgs.
TGM-MC1	137	60	55	11	19	18	1500	1.5
TGM-MC2	191	80	80	15	30	26	3000	3.9
TGM-MC3	260	122	135	20	49	33	4500	14.5

SCREW JACK (Lifter Support)

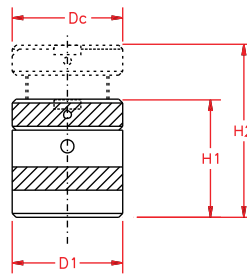
Screw Jack with steel body

Material:

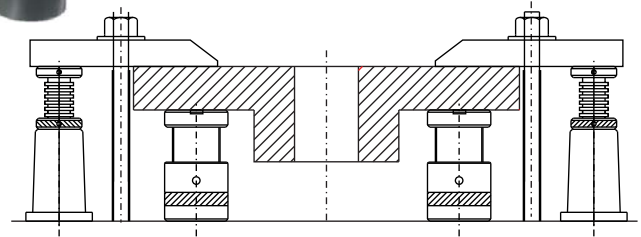
Body and Spindle: Medium Carbon Steel, Heat treated and Blackened

Threads: Trapezoidal

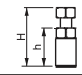


A stopper is provided to avoid accidental disengagement of spindle during operation.



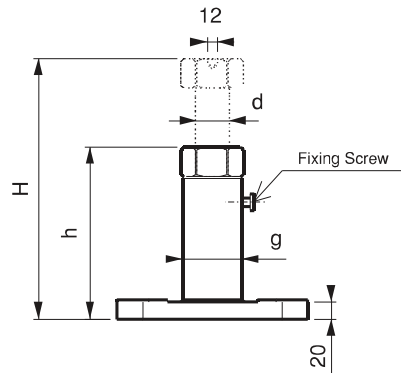
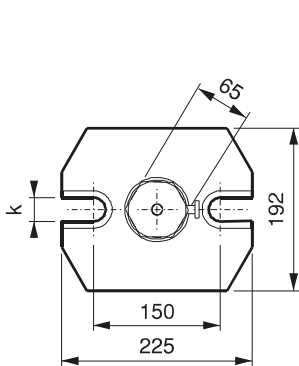
TYPE	RANGE H ₁ -H ₂ MM	BASE DIA-D2 MM	CAP DIA Dc MM	STATIC LOAD MAX. KN	Wt. kg
TGM-SBSJ-40	40-50	32	32	12	0.230
TGM-SBSJ-50	50-70	50	50	60	0.600
TGM-SBSJ-70	70-100	50	50	60	0.800
TGM-SBSJ-100	100-140	70	65	100	2.500
TGM-SBSJ-140	140-210	80	70	165	4.560
TGM-SBSJ-190	190-300	98	80	350	9.100



SCREW JACK (Lifter Support-Heavy-STEEL BODY)

TYPE		d	g	k	 kgf	 (kg)
TGM -200	200-300	Tr40x7	69	28	8000	10.0
TGM -280	280-460	Tr40x7	69	28	6000	11.8
TGM -430	430-750	Tr40x7	69	28	5000	14.2
TGM -710	710-1250	Tr40x7	69	28	4000	20.9

Material: Medium carbon steel, hardened and tempered



 9952529181 / 9629544041

 tgmindia2016@gmail.com
info@tgminternational.in

 tgmexports.com
tgminternational.in

TGM INTERNATIONAL

Office & Factory

S.F. No. 20/1D, Eachanari Road,
Kurumbapalayam Pirivu, Madukkarai Post,
Coimbatore - 641 105. Tamilnadu