

**PressureJet**<sup>TM</sup>  
EXPLORE THE WATER POWER



High Pressure Triplex Plunger Pump

**HW Series**

[www.pressurejet.com](http://www.pressurejet.com)

## About Company

PressureJet Systems Pvt. Ltd. was established in 1996 in Ahmedabad, India. PressureJet (an ISO 9001:2008 certified company) is a leading manufacturer of High Pressure, Positive Displacement, Reciprocating Triplex Plunger Pumps, Systems and relevant accessories. These pumps are widely used for various applications like Granite & Marble Texturing, Wet Sand Blasting, Sewer Jetting, Hydro Blasting, Water Jet Cleaning, Hydro test, Descaling, Fire Fighting, Sewer Jetting, Transfer & many more.

Today, PressureJet has a workforce of more than 85 dedicated people. We have 11000 Sq. ft. area in Asia's premier industrial estate in Ahmedabad. Out of which, 5000 Sq. ft. area has been allocated for manufacturing activities.



## Our Quality

All components are quality checked in the controlled environment of the QC department. We have the most modern measurement equipment such as 3D CMM (Coordinate Measuring Machine), Surface Roughness Tester, Hardness Tester etc. All components are tracked by barcode system with oracle ERP.



3D modelling is an important aid in designing the technical aspects of engineering product. Simulation can really help in making the correct design decisions during the development stage.

At PressureJet, we are using all latest Design Softwares.



## Machine Shop



Our Ultra-modern machine shop enables us to manufacture an extremely wide range of components. We can be very flexible in our production planning, while maintaining a high standard of quality with fully automatic machining station. Computer controlled machining stations ensure constant dimensional accuracy.

## Assembly & Testing



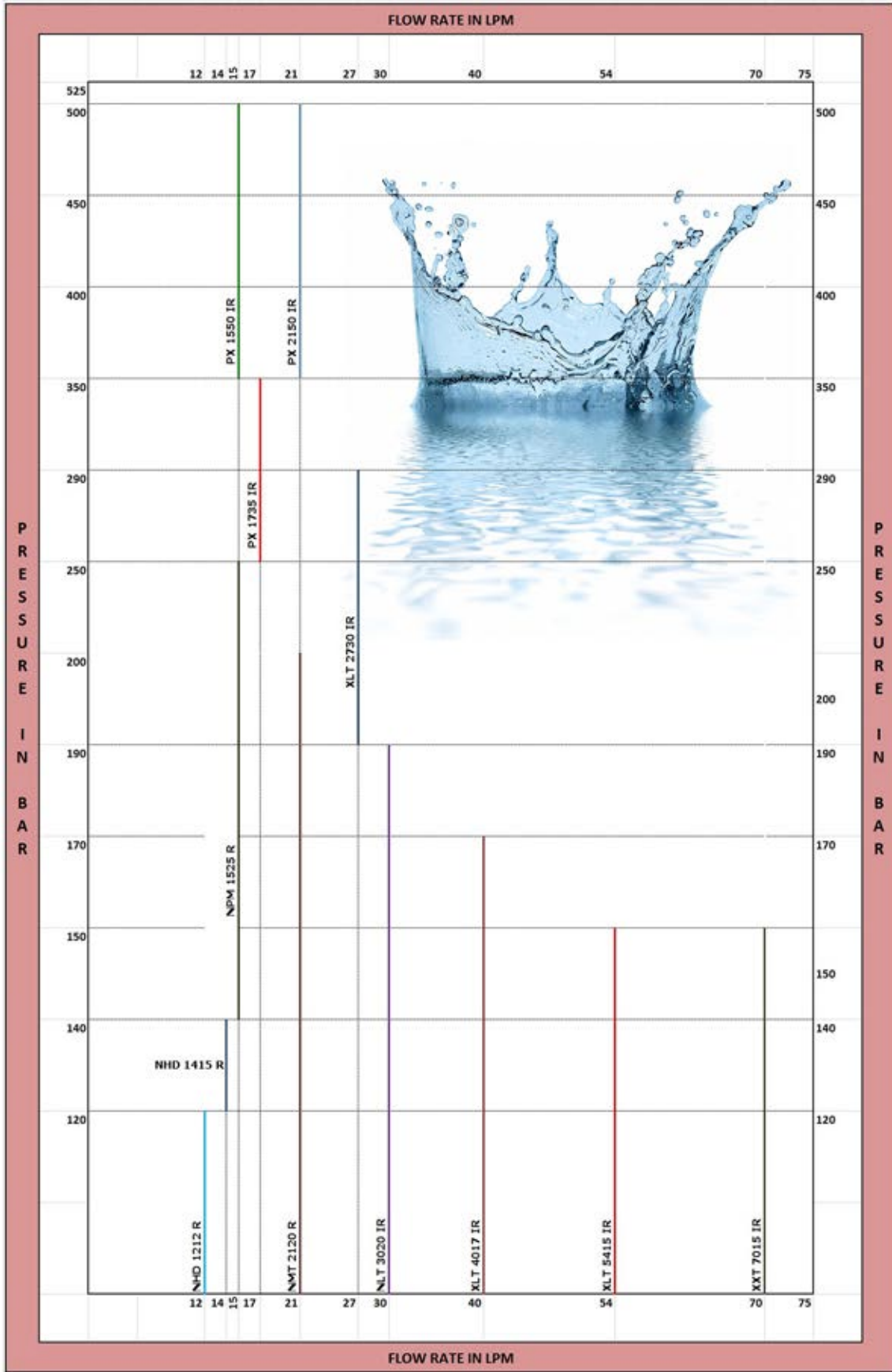
In this area, all components for the various pump units come together. Pumps and engine or motors are assembled on the skid frame, Accessories such as booster pump, Strainers, PRV, Safety Valve etc. are assembled.

PressureJet products are subject to stringent quality control. All pumps are tested at maximum load prior to dispatch for decided time period. All measurement taken during the testing are electronically stored in computer through fully Automatic Test Bench and then it can be printed. Test report is always provided with the pump.

## Store / Service



A product is only as good as the service backing it. We have a dedicated team of technicians available for 24 X 7. We keep majority of spares Ex-stock to reduce down time.



## HW Series Model Selection Chart

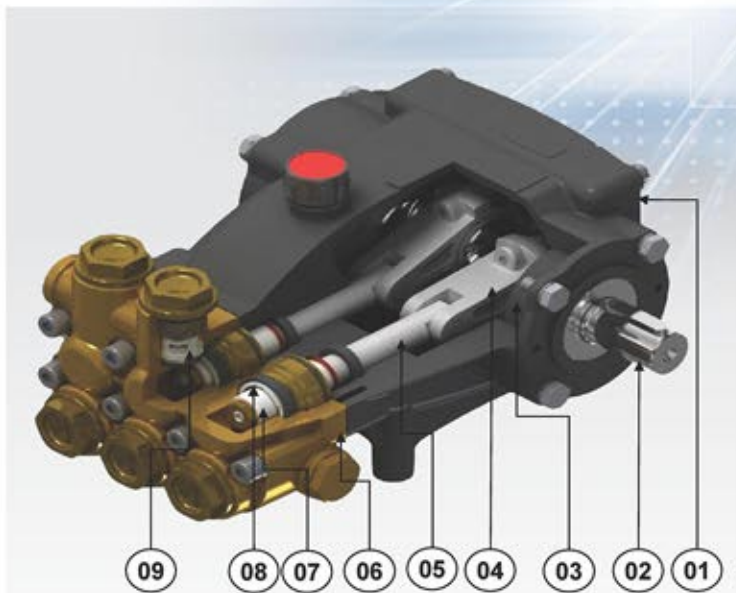
Pump Model	Flow Rate (LPM)	Pressure (Bar)	Motor H.P.	RPM (50Hz)	Inlet Connection (BSP)	Outlet Connection (BSP)	Working Fluid Temp. (°C)	Oil Capacity (Ltr)	Bare Pump Weight (Kg)	Bare Pump Dimension (LxWxH) in mm
NHD 1212 R	12	120 90 60	4 3 2	1450	½"	⅜"	65	0.4	6.6	250.5 x 213 x 135
NHD 1415 R	14	140	5	1450	½"	⅜"		0.4	6.6	250.5 x 213 x 135
NPM 1525 R	15	250 180	10 7.5	1450	½"	⅜"		0.7	9.5	273.5 x 238 x 144.5
NMT 2120 R	21	200 180 130 90	12.5 10 7.5 5	1450	½"	⅜"	60	0.7	9.5	273.5 x 238 x 144.5
NLT 3020 R	30	190 155 125 90	15 12.5 10 7.5	1450	½"	⅜"	65	1.2	14.8	333 x 248 x 168.5
XLT 4017 IR	40	170 140 95 65	20 15 10 7.5	1450	¾"	½"		1.2	17.2	341 x 263 x 168.2
XLT 5415 IR	54	150 130 100 70	25 20 15 10	1450	¾"	½"		1.2	17.2	341 x 263 x 168.2
XXT 7015 IR	70	150 130 100 80 50	30 25 20 15 10	1450	1"	¾"		1.2	18.4	344 x 263 x 168.2
PX 1550 IR	15	500	20	1450	½"	⅜"		1.2	19.2	353.5 x 268 x 168.5
PX 1735 IR	17	350	15	1450	½"	⅜"		1.2	19.2	353.5 x 268 x 168.5
PX 2150 IR	21	500	30	1450	½"	⅜"		1.2	19.2	353.5 x 268 x 168.5
XLT 2730 IR	27	290	20	1450	¾"	½"		1.2	17.2	341 x 263 x 168.2

**Note :** All Pumps are suitable for 60Hz Motor also. At 60Hz, Flow rate and required motor HP will be increase by 20% approx.

## HW Series Bare Pump

### Silent Feature

- Field proven design.
- Forged Brass fluid end construction with high strength.
- Rigorously Subjected to full load testing.
- Manufactured on state of the art machinery.
- Light in weight & Heavy duty construction with Continuous duty model.
- ISplash lubrication.
- Available direct couple 1750 rpm drives.
- Easy Field Maintenance.

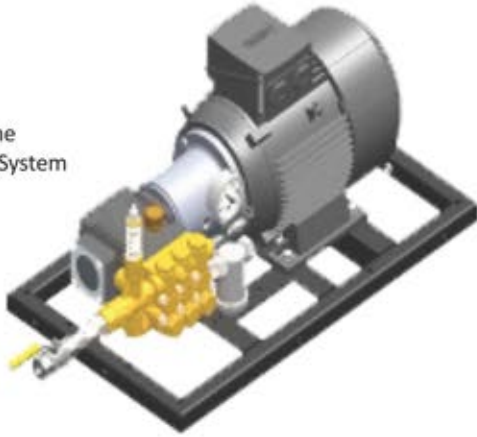


### Material of Construction of Major Parts

- 1 **Crank Case** : Crank Case in High Strength Aluminum Pressure Die Casting. With fit led anti friction bush.
- 2 **Crankshaft** : Crankshaft is made of Forged Alloy Steel, with Hardened & Ground.
- 3 **Bearing** : Oversized for maximum life and load disbursement. Taper roller bearing enables it to handle 26% more load than other pumps.
- 4 **Connecting Rod** : Forged Aluminum connecting rods with antifriction bearings. Heavy pin area construction, for added load strength.
- 5 **Piston (Plunger Rod)** : Stainless Steel Construction for hard surface coating and super finish.
- 6 **Pump Head (Manifold Housing)** : Pump head is made of High Strength Forged Brass.
- 7 **Plunger** : Primarily composed of High Finish Solid Ceramic Plunger and Surface roughness is extremely good i.e. <math><0.25\text{ Ra}</math> for less wear of Plunger seal.
- 8 **Plunger Seal** : Durable Fiber Impregnated Buna-n Seal packing (Make Parker, Germany) for high compressive & tensile strength ensures effective sealing.
- 9 **Complete Valve** : Valves made of Stainless Steel, anti-corrosion hard surface coated for long life. High volumetric efficiency, valves operate at more than 95% efficiency.

## HW Series Various Types of Systems

Base Frame mounted System



Trolley Mounted System



Frame Mounted System with Control Panel



Trolley Mounted System



Trolley Mounted System



Trolley With Tank System



A system means integration of bare pump, and other accessories like base frame, hoses, different valves, pressure gauge and almost all essential accessories to be fitted, to make a complete module as system, to perform particular task / application with optimum performance and safety.

**Surface Cleaning Accessories**



Trigger Operated Spray Gun



Unloader Valve



Safety Valve



Pressure Gauge



0° & 5° Surface Cleaning Nozzle



VAN – Variable Spray Angle Nozzle



Rotating Turbo Nozzle



Water Sand Blasting Nozzle



Chemical injector



High Pressure Hose



Insulated Lance



Rigid Lance

**Hydro Test Accessories**



Pressure Regulating Valve



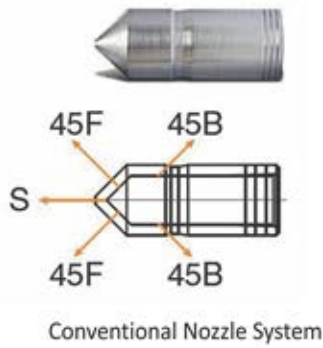
External Non Return Valve



High Pressure Ball Valve



### Tube Cleaning Accessories



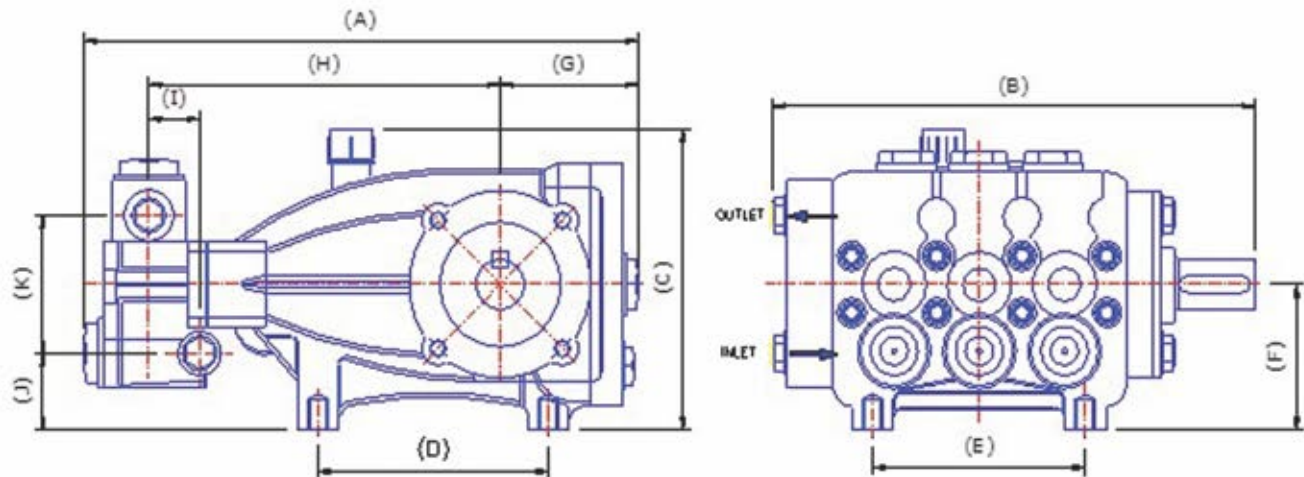
### Sewer Jetting Accessories



### UHP Fire Fighting (Mist Fire System) Accessories



**HW Series Bare Pump Dimensional Drawing**  
(All Dimensions are in mm)



Model	A	B	C	D	E	F	G	H	I	J	K
NHD 1212 R	251	213	135	80	90	60.5	69	140	5	30.5	56
NHD 1415 R	251	213	135	80	90	60.5	68.5	140	5	30.5	56
NPM 1525 R NMT 2120 R	273.5	238	144.5	90	105	70	68	173.5	25	37	66
NLT 3020 IR	333	248	168.51	105	145	82	81.5	204.5	12	42	77
PX 1550 IR PX 1735 IR PX 2150 IR	303.5	263	168.5	145	105	82	81.5	244.5	12	40	82
XLT 4017 IR XLT 5415 IR XLT 2730 IR	342	263	168.2	145	105	82	-	217.5	28	35	87
XXT 7015 IR	344	263	168.5	145	105	82	-	198.5	10	35	91

## Application



Surface Cleaning



Hydro Test



Paint Removal



Tube Bundle Cleaning - External



Tube Cleaning - Internal



Industrial cleaning

Partial List of Clients

Company Logo

Client Name



BHEL

Larsen & Toubro

Grasim



Essar

ONGC

Thermax



Godrej

Tata

Reliance

Hindalco

Alstom



Hindalco

Alstom

Dalmia



ISGEC

**Important Note :** Owing to continuous R & D, any technical details & specifications mentioned in this catalogue are liable to change anytime. All rights reserved to PressureJet. For latest Information & more details, please visit our website.

Our Website is fully informative, exhaustive and communicative. It is designed to provide maximum information in most precise form to help our valued customers to take a quick and right decision.

Contact :

**PressureJet Systems Pvt. Ltd.**

62/13, Phase-1, Vatva GIDC, Ahmedabad – 382 445. Gujarat, India

Phone : +91-79-25830762 / 25835598 • M : 93750 22359 • E-mail : sales@pressurejet.com • URL : www.pressurejet.com