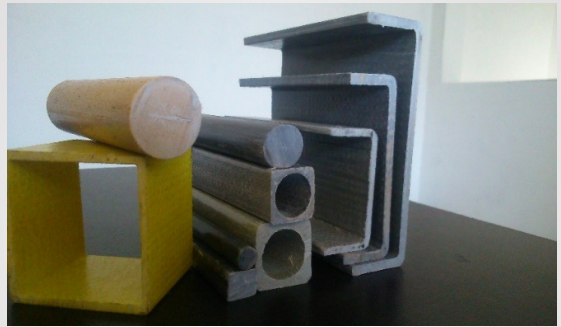




Composite Products  
*Smart and Better Solution!!!*

**Sinewy Composite Products** is a specialize in manufacturing of various FRP / GRP Products, Glass Reinforced Polyester (GRP/FRP) Cable management systems are the latest addition in the field in 21<sup>st</sup> Century. It has got many advantages over conventional steel cable trays. It is 40% lighter, extremely corrosion resistant even in chemical environment, easy to cut, drill and install resistant to electromagnetic waves and very low-cost to life-ratio.



**Sinewy** Composite Products,

10, Sunshine Ind. Estate,  
Tajpur road, Opp. Shankheshwar Ind.  
Estate,  
Sarkhej-Bavala Highway,  
Changodar, Guj  
Ahmedabad - 382 213,

Ph.: +91-9825683371, +91-9725214546

[sinewycompostie@gmail.com](mailto:sinewycompostie@gmail.com)  
[www.frpcabletray.in](http://www.frpcabletray.in)

**Products:**

All types of GRP/ FRP Pultruded products, Cable tray Ladder & perforated Type, GRP/FRP Channel, Pultruded Gratings, Flat, Square, Rod & Tube etc.



dun & bradstreet



### Ladder Type Cable Tray:

Sinewy Composite FRP Cable Trays are available in varies depths 50mm, 75mm, 100mm, and 150mm. Being fully customizable to meet your specific requiems, Our Cable Ladder system come in standard length of 250mm to 600 mm with custom options ranging from 100mm to 1200mm wide.

Rung spacing is another element that can be adjusted to your needs, Rung size are 25 x 25 mm hollow type tube, with this ranging from 100 mm to 400mm spans. Talk to us for your required spaces.

Sinewy Composite Products Ladder & Perforated type Cable Tray provides reliable cable support in corrosive application. Both polyester and vinyl ester resin systems are available & all components incorporating U. V. stabiliser and a surfacing veil to resist corrosive atmosphere.

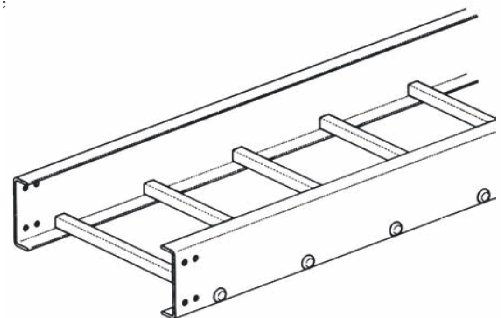
The cable trays manufactured by us are from pultruded sections / profiles of fiberglass, this pultruded sections help in reducing cost, achieving quality, perfection for optimum performance of the tray.

The material of construction of the Ladder type Cable shall conform to Corrosion Resistant Polyester-Isophthelic / vinyl ester, Flame Retardant U.V. Stabilised Resin System and Various types of Glass Fiber. Minimum Glass Content 55 to 60% in all pultruded sections and 30 to 40% for flat sheets and other Moulded parts, an additive material shall be mixed with the matrix polyester to make the material Ultraviolet resistant.

The material shall be surface burning characteristic in accordance with ASTM- E84/ IS-6746 and for flammability TEST as per ASTM-E84/UL94/IS-6746.

Cable Ladder available and accessories for cable tray system:

Material	Polyester / Vinyl
Side "C" Channel	50 / 75 / 100 / 150 / customised
Thickness	3 / 4 / 5 mm / customised
Rung spacing	300 / Customised
Width	100 to 1200mm
Length of Cable tray	3000 mm and 6000mm

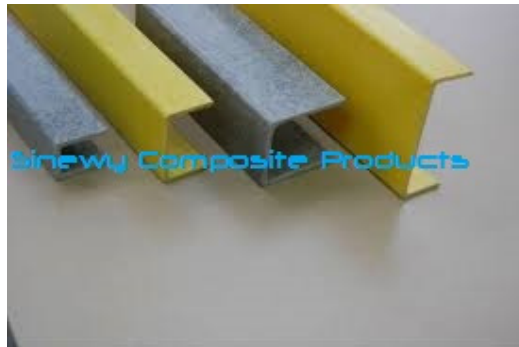


## Accessories:

Cable tray accessories and hardware SS304 M6 Nut Bolt and FRP Spilt Plate 200 x 70 x 3 mm thick, Elbow, T joint, Reducer, Cross, Riser, Bend horizontal/vertical, Inside –Outside, cover.

## Perforated Cable Tray System and accessories:

- ❖ 25mm for 50mm wide tray.
- ❖ 50mm up to 300mm wide trays.
- ❖ 100mm for 500mm and 600mm wide trays.



Tolerance on width and length shall be +/- 6mm and height +/- 2mm. Tolerance on width specified is applicable for cable trays of 150mm and above. For lower size cable trays vendor shall maintain a minimum tolerance.

## Cover For Ladder Type & perforated Type Cable Tray.:

Cable trays covers are required only for those area where the cable needs to be protected from falling objects. The covers are available in Polyester as well as vinyl Ester resin system. The covers will be 3Mtr / 10ft. and the thickness of the covers are normally 3mm if not specified.

## Advantage:

- Light weight with high strength,
- Non-conductivity, flame retardant
- Corrosion resistance.
- Good resistant property in various corrosive environment and weather
- Easy to be installed
- Maintenance free,
- Long lifespan
- Integrity color, not painted





## Application:

- Chemical Plants
- Power Plants
- Effluent Treatment Plants
- Offshore / Onshore Platforms
- Paper Plants
- Refineries and many mores

**Sinewy** Composite Products,

10, Sunshine Ind. Estate,  
Tajpur road, Opp. Shankheshwar Ind. Estate,  
Sarkhej-Bavala Highway,  
Changodar, Guj  
Ahmedabad – 382 213,

Ph.: +91-9825683371, +91-9725214546

[sinewycompostie@gmail.com](mailto:sinewycompostie@gmail.com)  
[www.frpcabletray.in](http://www.frpcabletray.in)

