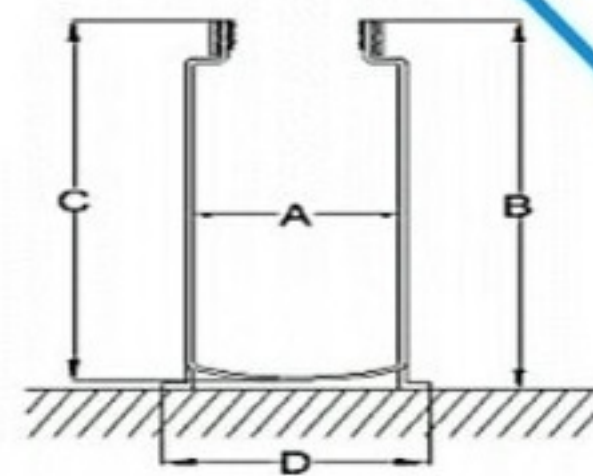


LLDPE Vessels

Food Grade, LLDPE Vessels made from Virgin LLDPE suitable for Filter, Softener, DM Plant, and Mixed Applications.

Technical Specifications:

- Max Operating Pressure 4 Kg / cm².g
- Top Opening Vessel, Opening 65mm (8 TPI threads)



LLDPE Vessel Dimension				
Capacity (Ltr.)	A (mm)	B (mm)	C (mm)	D (mm)
10	155	595	580	170
15	200	645	620	170