



E
L
E
C
T
R
I
C
A
L
A
C
C
E
S
S
O
R
I
E
S

STERLING

408, GIDC Shanker Tekri, Industrial Estate, Jamangar - 361 004. India

Tel. No.: +91 288 2561546 / 2560030 • Fax: +91 288 2561626

Web: www.sterling-ent.com • E-mail: info@sterling-ent.com / chetanhirpara@yahoo.com



(Product Catalogue)

Sterling Group of Companies incorporated in the year 1969 is engaged in manufacturing and export of brass components for automotive and industrial applications. To meet the needs of our discerning buyers around the world, we have established a 100% Export Oriented Unit and implemented ISO : 9001-2000 standard which is certified by QMI – Canada.

This catalog illustrates our range of brass electrical products.

Our other range of products includes auto electrical, fasteners and industrial fittings made of brass, copper alloy & steel.



FACTORY

STERLING

Tel. No.: +91 288 2561546 / 2560030 • Fax: +91 288 2561626

Web: www.sterling-ent.com • E-mail: info@sterling-ent.com / chetanhirpara@yahoo.com



R & D



QUALITY CONTROL

STERLING

Tel. No.: +91 288 2561546 / 2560030 • Fax: +91 288 2561626

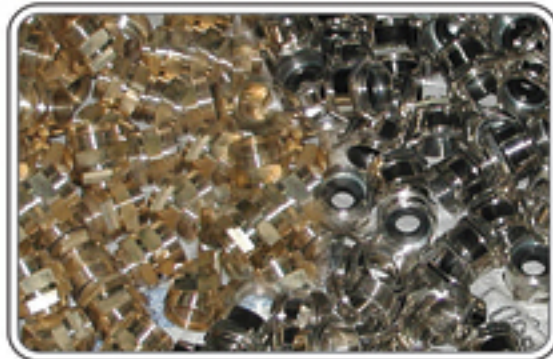
Web: www.sterling-ent.com • E-mail: info@sterling-ent.com / chetanhirpara@yahoo.com



Foundry



Machinery & Production Process



Finished Goods



Packing & Despatch



6/16

Brass Cable Glands & Accessories



17/23

Earth Rods & Earthing Accessories



24/29

Lightning Protection System



30

Conductors



31/41

Components for Electrical Installations



42/44

Brass & GI Conduits Fittings



45

Industrial Fasteners



46/47

Brass Components & Inserts

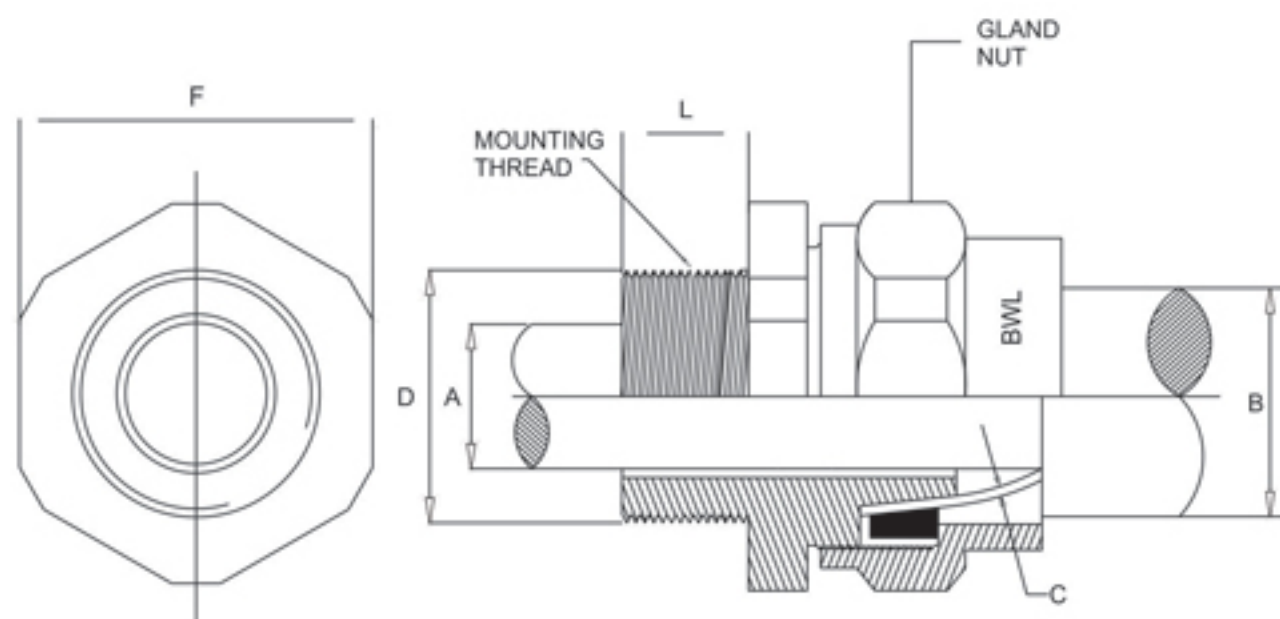




BWL 3 Part

**BWL 3 PART BRASS
CABLE GLAND INDOOR**

Standard : To BS6121, Part 1,
 Application : Dry Indoor Gland suitable for SWA Cable.
 Function : IP66 seal is not required, the cone ring prevents rotation of the wire on tightening.
 Finish : Natural Brass, Electro Tin & Nickel.
 Packing : Available in Loose and Kit Pack & also with LSF type shroud.



CABLE & GLAND DETAILS

CODE NO.	GLAND SIZE	ENTRY THREAD		CABLE DIMENSIONS		ARMOUR WIRE	ACROSS
		DIAMETER	LENGTH	DIAMETER	DIAMETER	DIAMETER	FLAT
		D	L	A MAX.	B MAX.	C	F
BWL16	16	16	15	9.00	13.80	0.90	22.00
BWL20S	20S	20	15	11.80	15.90	0.90/1.25	23.00
BWL20	20	20	15	14.00	20.80	0.90/1.25	26.00
BWL25	25	25	15	20.20	27.50	1.25/1.60	34.50
BWL32	32	32	15	26.30	33.70	1.60/2.00	43.00
BWL40	40	40	20	32.30	40.60	1.60/2.00	51.00
BWL50S	50S	50	20	39.20	48.50	2.00/2.50	57.00
BWL50	50	50	20	44.50	54.00	2.00/2.50	62.50
BWL63S	63S	63	20	50.20	59.00	2.50	69.00
BWL63	63	63	20	56.00	65.00	2.50	76.00
BWL75S	75S	75	20	62.20	72.00	2.50	84.00
BWL75	75	75	20	67.80	78.00	2.50	92.00
BWL90	90	90	20	79.50	91.00	2.50/3.15	110.00

All Dimensions are in MM. Size BWL-90 not included in BS 6121

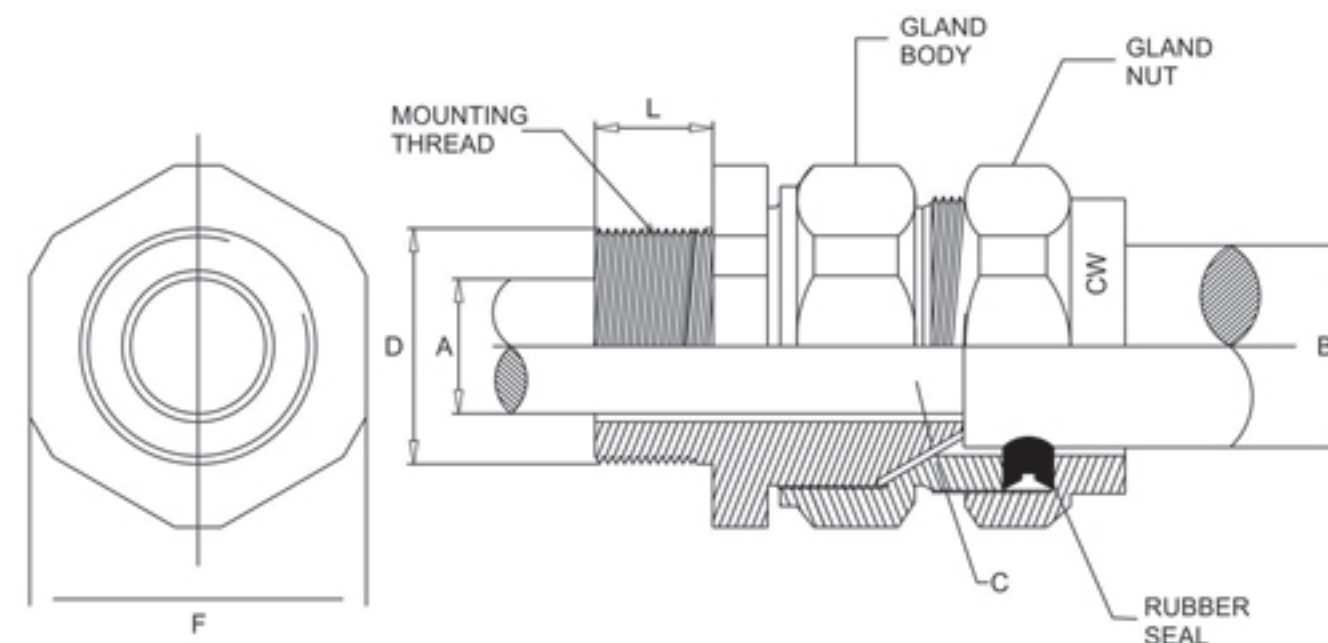
Also available in Imperial Thread.



CW 3 Part

**CW 3 PART BRASS
CABLE GLAND OUTDOOR**

Standard : To BS6121, Part 1,
 Application : Indoor or Outdoor Gland suitable for SWA Cable.
 Function : Outer IP66 seal grips sheath of cable, knurled cone prevents rotation of the wire on tightening.
 Finish : Natural Brass, Electro Tin & Nickel.
 Packing : Available in Loose and Kit Pack & also with LSF type shroud.



CABLE & GLAND DETAILS

CODE NO.	GLAND SIZE	ENTRY THREAD		CABLE DIMENSIONS		ARMOUR WIRE	ACROSS
		DIAMETER	LENGTH	DIAMETER	DIAMETER	DIAMETER	FLAT
		D	L	A MAX.	B MAX.	C	F
CW16	16	16	10	9.00	13.80	0.90	22.00
CW20S	20S	20	10	11.80	15.80	0.90/1.25	24.00
CW20	20	20	10	14.00	20.80	0.90/1.25	28.00
CW25S	25S	25	10	18.00	23.70	1.25/1.60	32.00
CW25	25	25	10	20.30	27.50	1.25/1.60	35.00
CW32	32	32	10	26.30	33.50	1.60/2.00	43.00
CW40S	40S	40	15	30.80	38.00	1.60/2.00	48.00
CW40	40	40	15	32.40	41.00	1.60/2.00	50.00
CW50S	50S	50	15	40.00	46.30	2.00/2.50	58.00
CW50	50	50	15	43.40	52.50	2.00/2.50	63.00
CW63S	63S	63	15	50.00	60.30	2.50	73.00
CW63	63	63	15	55.50	65.30	2.50	79.00
CW75S	75S	75	20	62.20	74.00	2.50	87.00
CW75	75	75	20	67.20	78.00	2.50	93.00
CW90	90	90	20	79.00	90.00	2.50/3.15	104.00

All Dimensions are in MM. Size CW-90 not included in BS 6121

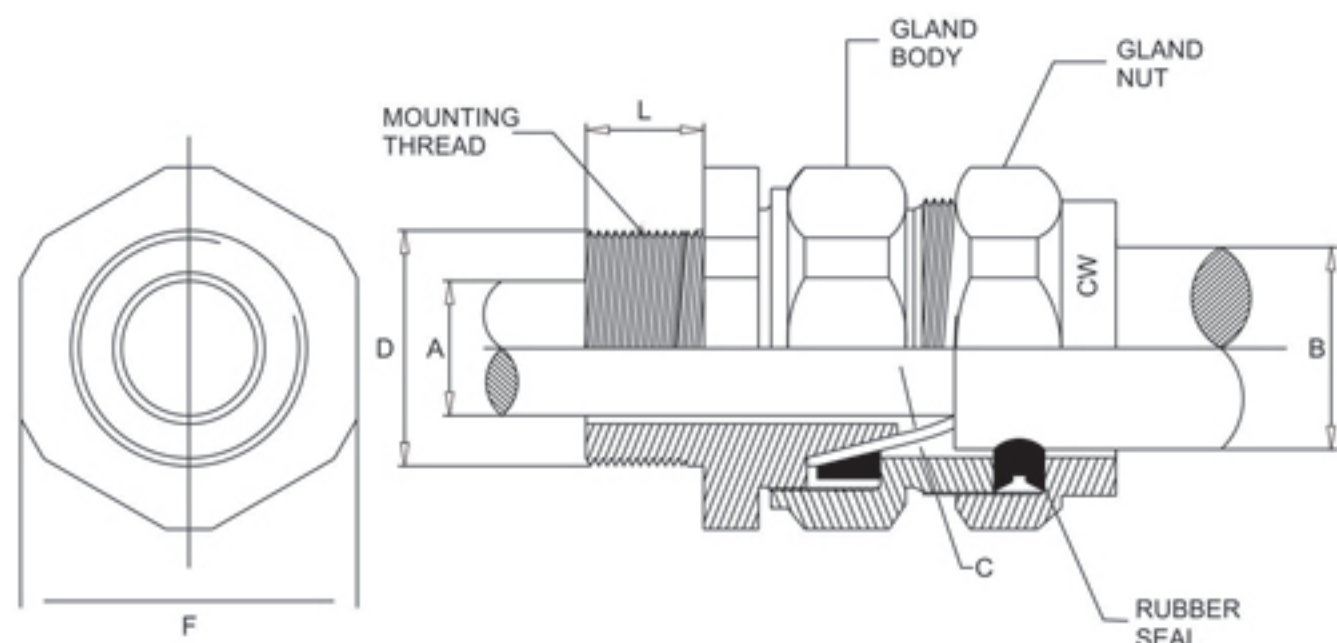
Also available in Imperial Thread.



CW 4 Part

**CW 4 PART BRASS
CABLE GLAND OUTDOOR**

Standard : To BS6121, Part 1,
 Application : Indoor or Outdoor Gland suitable for SWA Cable.
 Function : Outer IP66 seal grips sheath of cable, cone ring prevents rotation of the wire on tightening.
 Finish : Natural Brass, Electro Tin & Nickel.
 Packing : Available in Loose and Kit Pack & also with LSF type shroud.



CABLE & GLAND DETAILS

CODE NO.	GLAND SIZE	ENTRY THREAD DIAMETER	ENTRY THREAD LENGTH	CABLE DIMENSIONS		ARMOUR WIRE DIAMETER	ACROSS FLAT
		D	L	A MAX.	B MAX.	C	F
CWL16	16	16	10	9.00	13.80	0.90	22.00
CWL20S	20S	20	10	11.80	15.80	0.90/1.25	24.00
CWL20	20	20	10	14.00	20.80	0.90/1.25	28.00
CWL25S	25S	25	10	18.00	23.70	1.25/1.60	32.00
CWL25	25	25	10	20.30	27.50	1.25/1.60	35.00
CWL32	32	32	10	26.30	33.50	1.60/2.00	43.00
CWL40S	40S	40	15	30.80	38.00	1.60/2.00	48.00
CWL40	40	40	15	32.40	41.00	1.60/2.00	50.00
CWL50S	50S	50	15	40.00	46.30	2.00/2.50	58.00
CWL50	50	50	15	43.40	52.50	2.00/2.50	63.00
CWL63S	63S	63	15	50.00	60.30	2.50	73.00
CWL63	63	63	15	55.50	65.30	2.50	79.00
CWL75S	75S	75	20	62.20	74.00	2.50	87.00
CWL75	75	75	20	67.20	78.00	2.50	93.00
CWL90	90	90	20	79.00	90.00	2.50/3.15	104.00

All Dimensions are in MM. Size CW-90 not included in BS 6121

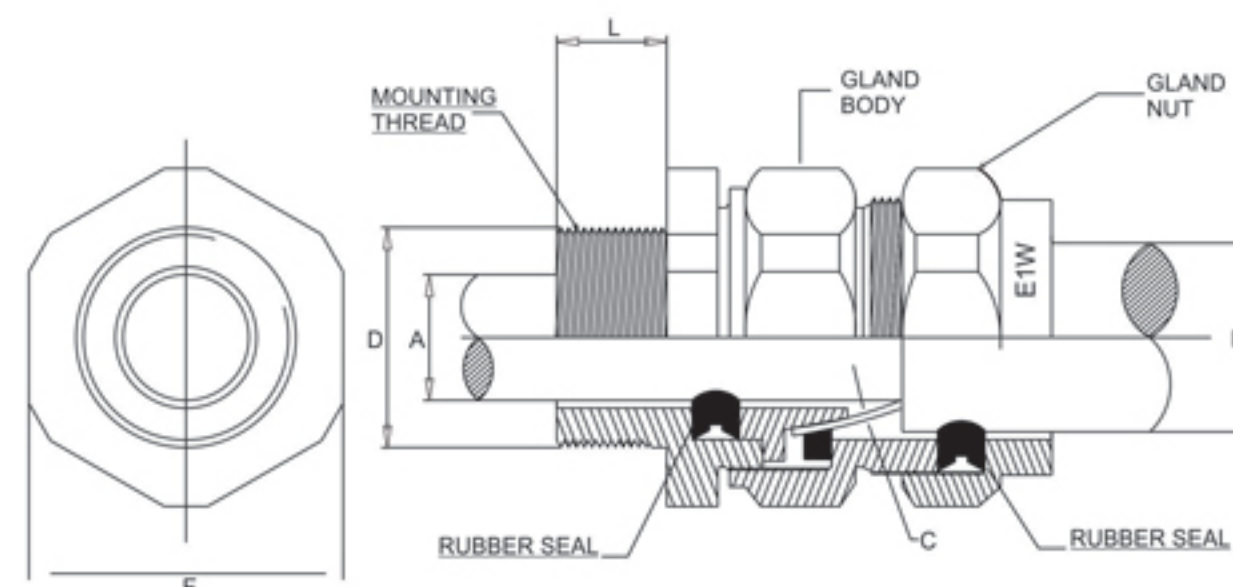
Also available in Imperial Thread.



E1W Part

**E1W BRASS CABLE
GLAND INDOOR OR OUTDOOR**

Standard : To BS6121, Part 1,
 Application : Indoor Or Outdoor Gland suitable for SWA extruded bended cables.
 Function : IP66 seal provide on inner & outer sheath of cable.
 Finish : Natural Brass, Electro Tin & Nickel.
 Packing : Available in Loose and Kit Pack & also with LSF type shroud.



CABLE & GLAND DETAILS

CODE NO.	GLAND SIZE	ENTRY THREAD DIAMETER	ENTRY THREAD LENGTH	CABLE DIMENSIONS		ARMOUR WIRE DIAMETER	ACROSS FLAT
		D	L	A MAX.	B MAX.	C	F
E1W16	16	16	15	9.00	13.80	0.90	22.00
E1W20S	20S	20	15	11.80	15.80	0.90/1.25	24.00
E1W20	20	20	15	13.80	20.80	0.90/1.25	30.00
E1W25	25	25	15	19.80	27.50	1.25/1.60	36.00
E1W32	32	32	15	26.40	33.50	1.60/2.00	46.00
E1W40	40	40	20	32.40	40.90	1.60/2.00	55.00
E1W50S	50S	50	20	38.00	46.30	2.00/2.50	60.00
E1W50	50	50	20	44.00	52.60	2.00/2.50	65.00
E1W63S	63S	63	20	49.00	61.50	2.50	75.00
E1W63	63	63	20	55.50	65.30	2.50	80.00
E1W75S	75S	75	20	62.00	73.00	2.50	90.00
E1W75	75	75	20	67.00	78.00	2.50	95.00
E1W90	90	90	20	79.00	90.00	2.50/3.15	110.00

All Dimensions are in MM. Size E1W-90 not included in BS 6121

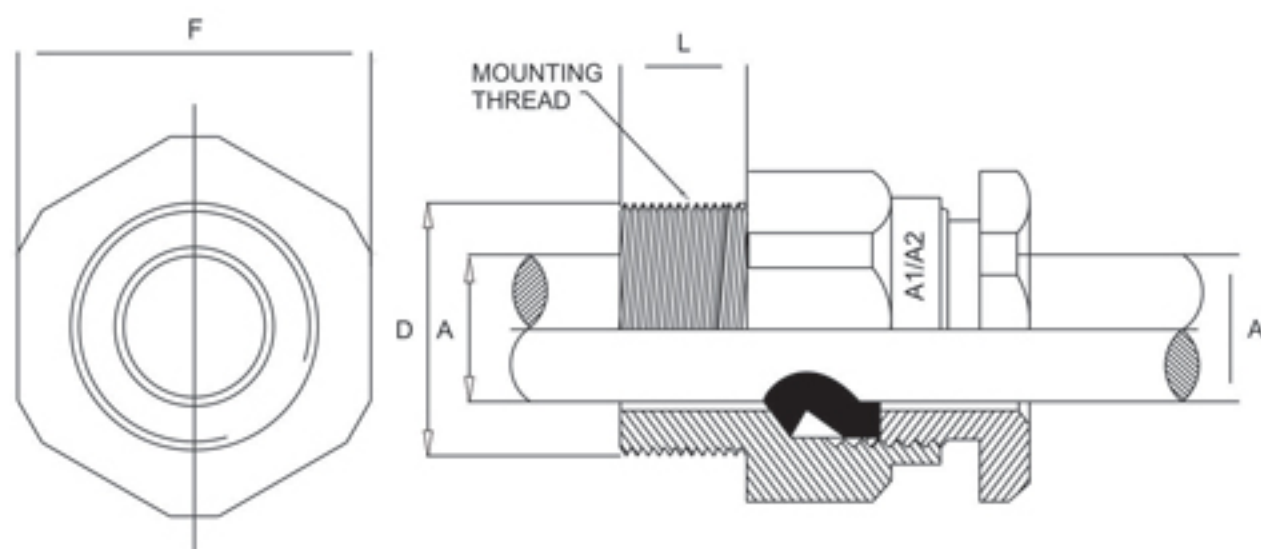
Also available in Imperial Thread.



A1 / A2

**A1/A2 BRASS
CABLE GLANDS**

Standard : To BS6121, Part 1,
 Application : Outdoor or Indoor, suitable for unarmoured
 Cables.
 Function : Outer IP66 seal grips sheath of cable.
 Finish : Natural Brass, Electro Tin & Nickel.
 Packing : Available in Loose and Kit Pack & also with
 LSF type shroud.



CABLE & GLAND DETAILS

CODE NO.	GLAND SIZE	ENTRY THREAD DIAMETER	ENTRY THREAD LENGTH	CABLE DIMENSIONS		ACROSS FLAT
		D	L	MIN. A	MAX. A	F
A216	16	16	15	3.50	9.00	20.00
A220S	20S	20	15	8.00	12.20	22.00
A220	20	20	15	11.00	14.20	24.00
A225S	25S	25	15	13.00	17.30	28.00
A225	25	25	15	13.00	19.80	30.00
A232S	32S	32	15	19.00	24.50	35.50
A232	32	32	15	19.00	26.20	41.00
A240S	40S	40	20	25.00	29.20	44.00
A240	40	40	20	25.00	33.20	46.00
A250S	50S	50	20	31.50	41.00	57.00
A250	50	50	20	36.50	44.00	60.00
A263S	63S	63	20	42.50	51.00	70.00
A263	63	63	20	48.50	56.00	75.00
A275S	75S	75	20	54.50	62.00	82.00
A275	75	75	20	60.50	68.50	90.00
A290	90	90	25	66.00	80.00	106.00

All Dimensions are in MM. Size A2-90 not included in BS 6121

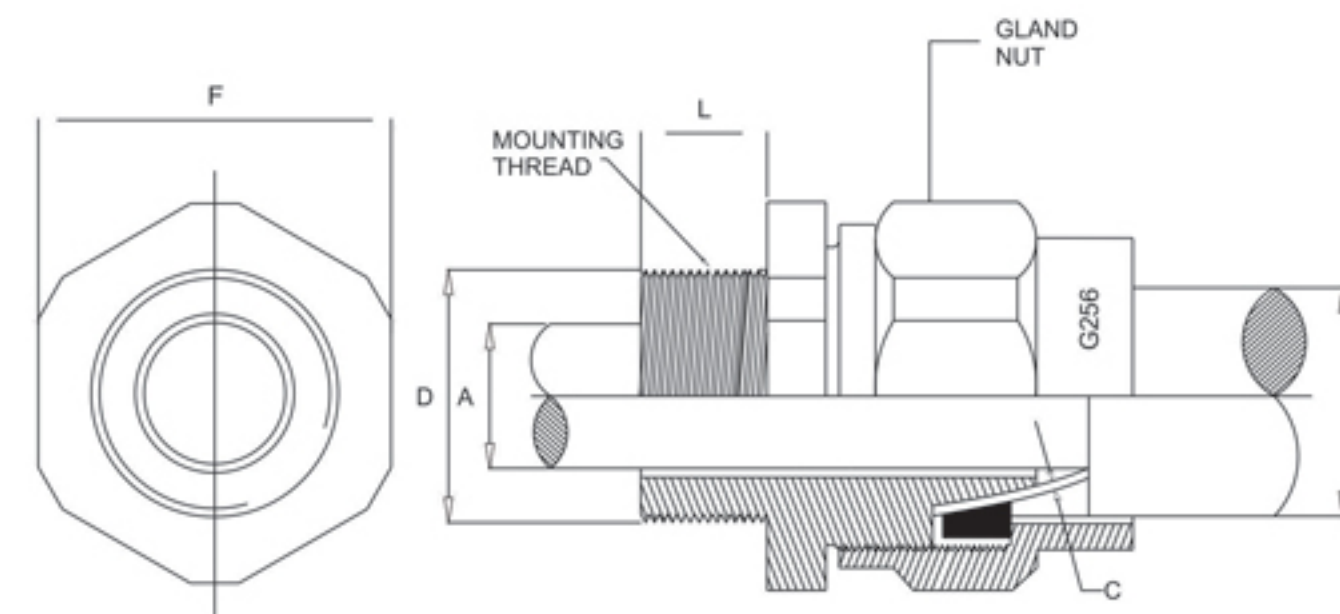
Also available in Imperial Thread.



ALCO Type

**ALCO BRASS
CABLE GLAND INDOOR**

Application : Dry Indoor Gland suitable for SWA
 Cables.
 Function : IP66 seal is not required, the cone ring
 prevents rotation of the wire on
 tightening.
 Finish : Natural Brass, Electro Tin & Nickel.
 Packing : Available in Loose and Kit Pack.



CABLE & GLAND DETAILS

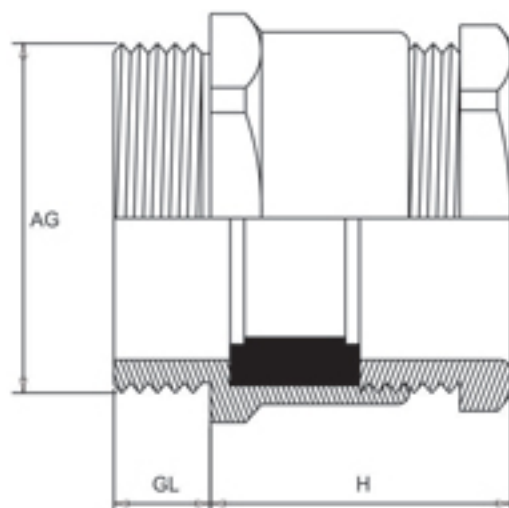
CODE NO.	GLAND SIZE	ENTRY THREAD DIAMETER	ENTRY THREAD LENGTH	CABLE DIMENSIONS		ARMOUR WIRE DIAMETER	ACROSS FLAT
		D	L	A MAX	B MAX.	C	F
G164	G-164	16	10	9.00	13.80	0.9	20.00
G204	G-204	20	10	11.00	17.00	0.90/1.25	22.00
G206	G-206	20	10	13.75	20.00	0.90/1.25	24.50
G254	G-254	25	10	16.50	22.50	1.25/1.60	27.25
G256	G-256	25	10	18.75	26.00	1.25/1.61	31.25
G324	G-324	32	10	22.75	30.00	1.60/2.00	35.50
G326	G-326	40	10	26.50	34.00	1.60/2.00	40.25
G405	G-405	40	15	32.75	41.50	1.60/2.00	47.75
G503	G-503	50	15	38.50	49.00	2.00/2.50	54.00
G505	G-505	50	15	44.50	55.50	2.00/2.50	61.50
G636	G-636	63	15	56.25	68.25	2.50	74.00
G753	G-753	75	15	60.35	73.00	2.50	81.50
G755	G-755	75	15	66.70	69.40	2.50	89.00



**PG TYPE
CABLE GLAND**

Finish : Electro Tin & Nickel.
Packing : Available in Loose.

P. G. Type



CABLE & GLAND DETAILS

CODE NO.	SIZE (AG)	H	GL	CODE NO.	SIZE (AG)	H	GL
PG7	PG-7	15	6	PGM12	M-12	15	6
PG9	PG-9	15	6	PGM16	M-16	15	6
PG11	PG-11	17	6	PGM20	M-20	17	6
PG13.5	PG-13.5	19.5	6.5	PGM25	M-25	19.5	6.5
PG16	PG-16	21.5	6.5	PGM32	M-32	21.5	6.5
PG21	PG-21	24	7	PGM40	M-40	24	7
PG29	PG-29	26	8	PGM50	M-50	26	8
PG36	PG-36	30	9	PGM63	M-63	30	9
PG42	PG-42	34	10				
PG48	PG-48	37	10				



TRS Gland

Description	Code No.	Size(MM)
TRS Gland	TRS16	16
	TRS20	20
	TRS25	25
	TRS32	32



CXT Gland

Description	Code No.	Size(MM)
CXT Gland	CXT20	20
	CXT25	25
	CXT32	32
	CXT40	40
	CXT50	50



Marine Gland

Description	Code No.	Size(MM)
Marine Type Cable Gland	MT15	15
	MT20	20
	MT25	25
	MT30	30
	MT35	35
	MT40	40
	MT45	45
	MT50	50
	MT55	55
	MT60	60



Marine Gland
Type 1 & Type 2

Description	Code No.	Size(MM)
Marine Gland	T15090	15 X 90
Type 1 & Type 2	T15115	15 X 115
	T15175	15 X 175
	T15300	15 X 300
	T20090	20 X 90
	T20115	20 X 115
	T20175	20 X 175
	T20300	20 X 300
	T25090	25 X 90
	T25115	25 X 115
	T25175	25 X 175
	T25300	25 X 300
	T30090	30 X 90
	T30115	30 X 115
	T30175	30 X 175
	T30300	30 X 300
	T40175	40 X 175
	T40300	40 X 300



▶ Double Compression Type

Description	Code No.	Size
Double Compression Type	DC10	10MM (3/8")
	DC12	12MM (1/2")
	DC16	16MM (5/8")
	DC19	19MM (3/4")
	DC22	22MM (7/8")
	DC25	25MM (1")
	DC28	28MM (1.1/8")
	DC32	32MM (1.1/4")
	DC35	35MM (1.3/8")
	DC38	38MM (1.1/2")
	DC45	45MM (1.3/4")
	DC50	50MM (2")
	DC57	57MM (2.1/4")
	DC63	63MM (2.1/2")
	DC70	70MM (2.3/4")
DC75	75MM (3")	
DC82	82MM (3.1/4")	
DC88	88MM (3.1/2")	
DC100	100MM (4")	



▶ Flang Type

Description	Code No.	Size
Flang Type	FG5	5
	FG4	4
	FG3	3
	FG2	2
	FG1	1
	FG11	11
	FG0	0
	FG00	00
	FG38	38
	FG001	001
	FG002	002
	FG003	003
	FG004	004
	FG005	005



▶ Wiping Gland

Description	Code No.	Size
Wiping Cable Gland	WCG	



▶ Earth Tag

Description	Code No.		Size (MM)
	Oval	Commercial	
Earth Tag	ETO16	ETC16	16
	ETO20	ETC20	20
	ETO25	ETC25	25
	ETO32	ETC32	32
	ETO40	ETC40	40
	ETO50	ETC50	50
	ETO63	ETC63	63
	ETO75	ETC75	75
	ETO90	ETC90	90



▶ Lock Nut

Description	Code No.	Size(MM)
Lock Nut	BLN16	16
	BLN20	20
	BLN25	25
	BLN32	32
	BLN40	40
	BLN50	50
	BLN63	63
	BLN75	75



▶ Glands Kit

- Available for all types of Cable Gland.
- Kits contains 2pcs. of Gland, Nut, Earth Tag & shroud up to 32mm & 1pcs. of each above 32mm.



▶ PVC Shroud

- Available for all types of Cable Gland.
- Also available LSF Shroud.



▶ Adaptor & Reducer

- Available from sizes M16 TO M75 and 1/2" NPT TO 3"NPT
- Manufactured in Brass with Natural finish.



Earth Rod Unthreaded

Description	Code No.	Size	Thread	Rod
		Length	Dia.	Dia.(MM)
Earth Rod Unthreaded	ERU9512	9.5 X 1200	Unthreaded	9.5
	ERU1215	12 X 1500	Unthreaded	12
	ERU1230	12 X 3000	Unthreaded	12
	ERU1415	14 X 1500	Unthreaded	14
	ERU1420	14 X 2000	Unthreaded	14
	ERU1815	18 X 1500	Unthreaded	18
	ERU1915	19 X 1500	Unthreaded	19
	ERU2015	20 X 1500	Unthreaded	20



Earth Rod Threaded (Both Side)

Description	Code No.	Size	Thread	Rod
		Length	Dia.	Dia.(MM)
Earth Rod Threaded (Both Side)	ERT141215	14 X 1500	9/16"	12.7
	ERT141220	14 X 2000	9/16"	12.7
	ERT161412	16 X 1200	5/8" or 16mm	14.2
	ERT161415	16 X 1500	5/8" or 16mm	14.2
	ERT161418	16 X 1800	5/8" or 16mm	14.2
	ERT161420	16 X 2000	5/8" or 16mm	14.2
	ERT161424	16 X 2400	5/8" or 16mm	14.2
	ERT161430	16 X 3000	5/8" or 16mm	14.2
	ERT201712	20 X 1200	3/4" or 18mm	17.2
	ERT201715	20 X 1500	3/4" or 18mm	17.2
	ERT201718	20 X 1800	3/4" or 18mm	17.2
	ERT201720	20 X 2000	3/4" or 18mm	17.2
	ERT201724	20 X 2400	3/4" or 18mm	17.2
	ERT201730	20 X 3000	3/4" or 18mm	17.2
	ERT151515	15 X 1500	16mm	15
	ERT161615	16 X 1500	16mm	16
	ERT161620	16 X 2000	16mm	16
	ERT181815	18 X 1500	18mm	18
	ERT181820	18 X 2000	18mm	18
	ERT202015	20 X 1500	20mm	20
	ERT202020	20 X 2000	20mm	20



With Coupling Joint Male-Female

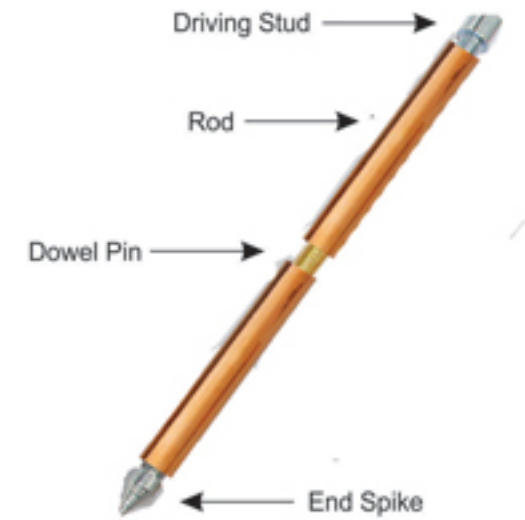
Description	Code No.	Size	Thread	Rod
		Length	Dia.	Dia.(MM)
Earth Rod With Coupling Joint Male-Female	ERJ181815	18 X 1500	Unthreaded	18
	ERJ181820	18 X 2000	Unthreaded	18
	ERJ202015	20 X 1500	Unthreaded	20
	ERJ202020	20 X 2000	Unthreaded	20

Copper Bonded Earth Rod manufactured from high tensile, low carbon steel & pure electrolytic copper is uniformly molecularly bonded to thickness up to 0.30mm thus ensuring excellent corrosion resistance and high tensile steel ensures strength and hardness allowing the use of power hammer for deep driven system.



Driving Head

Description	Code No.	Size
Driving Head	SDH14	9/16"
	SDH16	5/8"
	SDH20	3/4"



Solid Copper Earth Rod

Description	Code No.	Diameter	Length
Solid Copper Earth Rod	SCR1512	15mm	1200mm
	SCR2012	20mm	1200mm

Manufactured from hard drawn copper to BS2874-C101. These Rods are mainly use where high corrosion resistance and long life is required. Available with driving stud, dowel pin & end spike.



Plus Earth Rod

Description	Code No.	Size(MM)	Length
Plus Earth Rod	HER50510	50 X 50 X 5	1000
	HER50515	50 X 50 X 5	1500
	HER50520	50 X 50 X 5	2000
	HER50525	50 X 50 X 5	2500
	HER50530	50 X 50 X 5	3000



Rod Coupling (Conical)

Description	Code No.		Size
	Brass	Gun Metal	
Rod Coupling (Conical)	TBC12	TCC12	12
	TBC14	TCC14	14
	TBC17	TCC17	17
	TBC19	TCC19	19
	TBC20	TCC20	20



▶ Rod Coupling (Threaded)

Description	Code No.		Size
	Brass	Gun Metal	
Rod Coupling (Threaded)	BRC14	CRC14	9/16"
	BRC16	CRC16	5/8" or 16mm
	BRC18	CRC18	3/4" or 18mm
	BRC20	CRC20	20mm



▶ Rod To Tape Type 'A'

Description	Code No.		Rod Dia	Conductor Size(MM)
	Brass	Gun Metal		
Rod To Tape Type 'A'	BRT1426	CRT1426	12	26 X 12
	BRT1626	CRT1626	16	26 X 12
	BRT2026	CRT2026	20	26 X 10
	BRT1640	CRT1640	16	40 X 12
	BRT1651	CRT1651	16	51 X 08
	BRT2051	CRT2051	20	51 X 12
	BRT2526	CRT2526	25	26 X 10



▶ Rod To Cable

Description	Code No.		Rod Dia.	Conductor Size(MM)
	Brass	Gun Metal		
Rod To Cable	BGC95	CGC95	9.5	6-35
	BGC12	CGC12	12	16-50
	BGC16	CGC16	16	16-70
	BGC20	CGC20	20	16-95
	BGC25	CGC25	25	70-120
Type G	BCG16	CCG16	16	16-70
	BCG18	CCG18	18	16-70
	BCG20	CCG20	20	16-95
Type U	BCU16	CCU16	16	16-70
	BCU20	CCU20	20	16-95



▶ Type G



▶ Type U



▶ Split Clamp

Description	Code No.		Rod Dia.
	Brass	Gun Metal	
Split Clamp	STC95	GTC95	9.5
	STC16	GTC16	16
	STC20	GTC20	20



▶ 'U' Bolt Clamp

Description	Code No.		Rod Dia.
	Brass	Gun Metal	
'U' Bolt Clamp	CBC16	GBC16	16
	CBC20	GBC20	20
	CBC25	GBC25	25

Manufacture in Copper with Gun Metal Plate.



▶ Rod To Cable (Type GUV)

Description	Code No.	Rod Dia.	Conductor Size
	CGV2016	20	16 – 70
	CGV1670	16	70 – 185
	CGV2070	20	70 – 150

Manufacture in Copper with Gun Metal Plate.



▶ Eye Bolt

Description	Code No.		Rod Dia.
	Brass	Gun Metal	
Eye Bolt	CEB16	GEB16	5/8" or 16mm
	CEB20	GEB20	3/4" or 18mm



Description	Code No.	No. Of M8 Holes
Material →	Gun Metal	
Earth Bonding Points	CEB81	1
	CEB82	2
	CEB84	4

▶ Earth Bonding Points



Description	Code No.	Rod Dia.
Material →	Brass	
Rod To Cable	BNC14	14
	BNC16	16

With steel Nut, Bolt & Washer.

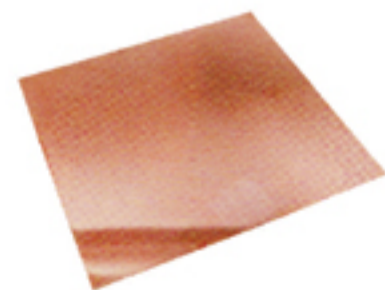
▶ Rod To Cable



Description	Code No.	Rod Dia.
Material →	Brass	
Joint For Rod	JCR08	08
	JCR10	10

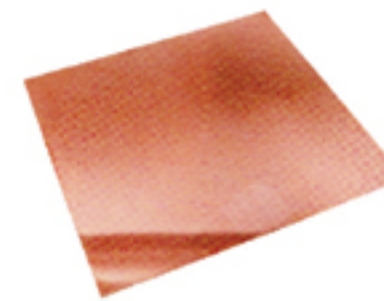
In Nickle finish with steel screw.

▶ Joint For Rod



Description	Code No.	Size(MM)
Earth Plate	EPC6615	600 x 600 x 1.5
(Copper Bonded Steel)	EPC9915	900 x 900 x 1.5
	EPC6603	600 x 600 x 3
	EPC9903	900 x 900 x 3

▶ Earth Plate
(Copper Bonded Steel)



▶ Earth Plate
(Solid Copper)

Description	Code No.	Size(MM)
Earth Plate	EPS6615	600 x 600 x 1.5
(Solid Copper)	EPS9915	900 x 900 x 1.5
	EPS6603	600 x 600 x 3
	EPS9903	900 x 900 x 3



▶ Earth Plate Copper
(Lattice)

Description	Code No.	Size(MM)
Earth Plate Copper	EPL6603	600 x 600 x 3
(Lattice)	EPL9903	900 x 900 x 3



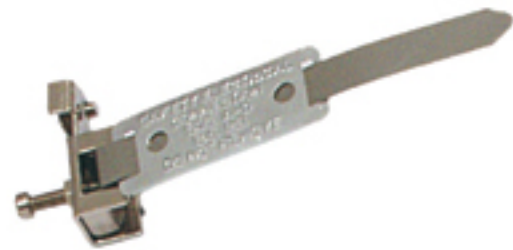
▶ Tower Earth Clamp

Description	Code No.	Conductor Size(MM ²)
Material →	Gun Metal	
Tower Earth Clamp	TEC16	16 – 70
	TEC70	70 – 120



▶ Earth Disconnecter
Clamp

Description	Code No.	Conductor Size(MM ²)
Earth Disconnecter Clamp	EDC01	35
	EDC02	10 – 35
	EDC03	10



Description	Code No.	Pipe Dia.(MM)
Earthing Clamp	EC14	12 - 75
	EC15	12 - 75
	EC16	12 - 75

Available in 3 types of length to suit pipe diameters. I.e. 12 - 32, 32 - 50, 50 - 75.

▶ Earthing Clamp



Description	Code No.	Pipe Dia.
Pipe Bend Clamp	PB038	14 - 38
	PB052	14 - 52
	PB114	14 - 114
	PB168	14 - 168

▶ Pipe Bend Clamp



Description	Code No.	Size
Material →	Copper Bronze	
Ground Clamp	GGC25	1/2 - 3/4 - 1"

With Steel Screws.

▶ Ground Clamp



Description	Code No.
Material →	Brass
Tower Mast Coupling	BMC120

▶ Tower Mast Coupling



Description	Code No.	Thread Dia.	Length
Air Terminal Rod	ATR1605	16mm	500
	ATR1610	16mm	1000
	ATR1615	16mm	1500
	ATR1620	16mm	2000

Manufacture in Copper & Copper Bonded.

▶ Air Terminal Rod



Description	Code No.	Thread Dia.
Material →	Brass	Gun Metal
Multiple Point	BMP16	GMP16
	BMP20	GMP20

▶ Multiple Point



Description	Code No.	Thread Dia	Cond. Size
Material →	Brass	Aluminum	Gun Metal
Air Terminal	BTB16	ATB16	GTB16
Base	BTB20	ATB20	GTB20

▶ Air Terminal Base



Description	Code No.	Thread Dia.
Material →	Brass	Gun Metal
Rod To Tape Coupling	BRT16	GRT16
	BRT20	GRT20

▶ Rod To Tape Coupling



Saddle Clip

Description	Code No.		Size (MM)
Material	Brass	Aluminum	
Saddle Clip	BSC203	ASC203	20 X 3
	BSC253	ASC253	25 X 3



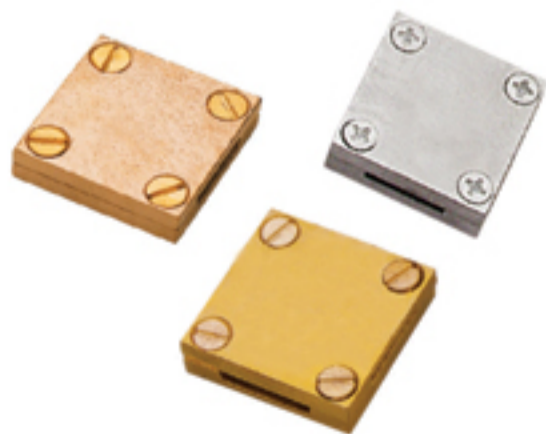
Back Plate Hold Fast

Description	Code No.
Material	Gun Metal
Back Plate Hold Fast	GBP



DC Tape Clip

Description	Code No.		Size (MM)
Material	Brass	Gun Metal	
DC Tape Clip	BDC203	CDC203	20 X 3
	BDC253	CDC253	25 X 3
	BDC256	CDC256	25 X 6
	BDC503	CDC503	50 X 3
	BDC506	CDC506	50 X 6



Square Tape Clamp

Description	Code No.			Size (MM)
Material	Brass	Aluminum	Gun Metal	
Square Tape Clamp	BTC253	ATC253	CTC253	25 X 3
	BTC256	ATC256	CTC256	25 X 6
	BTC506	ATC506	CTC506	50 X 6



Plate Type Test Clamp

Description	Code No.			Size (MM)
Material	Brass	Aluminum	Gun Metal	
Plate Type	BPT253	APT253	CPT253	25 X 3
Test Clamp	BPT386	APT386	CPT386	38 X 6
	BPT506	APT506	CPT506	50 X 6



Oblong Test Clamp

Description	Code No.	Size (MM)
Material	Gun Metal	
Oblong Test Clamp	COT253	25 x 3
	COT506	50 x 6



Flat Saddle

Description	Code No.	Cond. Size(MM ²)	Rod Dia. (MM)
Material	Gun Metal		
Flat Saddle	CFS16	50	16



Cable Saddle

Description	Code No.	Size (MM)
Material	Gun Metal	
Heavy Duty Cable Saddle	CCS8	8
	CCS10	10



Cable To Cable Clamp

Description	Code No.	Size (MM)
Material	Gun Metal	
Cable To Cable Test Clamp	CJC10	10



Tee Clamp

Description	Code No.	Size (MM)
Tee Clamp	CTC8	8



Rod To Cable Coupling

Description	Code No.	Thread Dia.	Conductor Size
Rod To Cable Coupling	GCC16	16	50 – 70



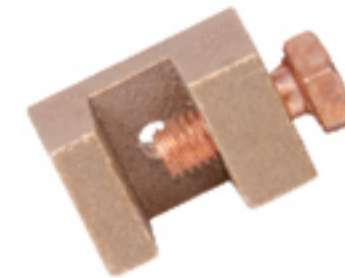
Bolted Cable Lugs

Description	Code No.	Cond. Size(MM ²)	Rod Dia. (MM)
Bolted Cable Lugs	BCL106	4-10	M6
	BCL168	16	M8
	BCL3510	25-35	M10
	BCL18512	25-185	M12
	BCL7012	50-70	M12
	BCL9512	95	M12
	BCL12016	120	M16
	BCL18516	150-185	M16
	BCL24020	185-240	M20
	BCL40020	300-400	M20
	BCL50010	500	M20
	BCL50024	500	M24



Rod Bracket

Description	Code No.	Rod Dia.
Rod Bracket	CGB16	16
	CGB20	20



Galzing Bar Holdfast

Description	Code No.	Rod Dia.
Galzing Bar Holdfast	CGH	12



Screw Down Test Clamp

Description	Code No.	Conductor Size
Screw Down Test Clamp	CST253	25 x 3



Watermain Pipe Bond

Description	Code No.	Conductor Size
Watermain Pipe Bond	CWB253	25 x 3



RE-Bar Clamp

Description	Code No.	Conductor Size	Pipe Dia.
RE-Bar Clamp	CRC08	8	18 – 8



RWP Bond

Description	Code No.	Conductor Size
RWP Bond	CRB253	25 x 3



B Bond

Description	Code No.	Conductor Size
B Bond	CBB253	25 x 3



Jointing Clamp

Description	Code No.	Conductor Size
Jointing Clamp	CJC08	8

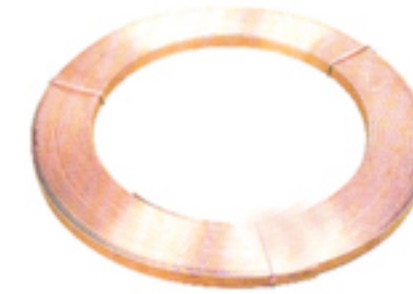


Square Conductor Clamp

Description	Code No.	Cond. Size (MM ²)
Square Conductor Clamp	CSC50	50
	CSC70	70
	CSC95	95

We solicit your inquiries on any items, not shown in this catalogue.

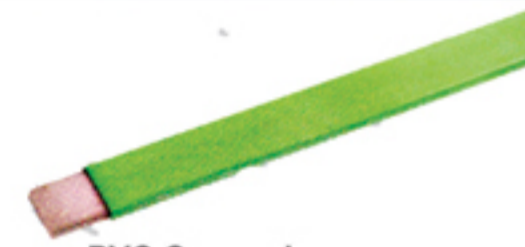
Special packing available on request.



Bare Copper Tape

Description	Code No.	Size(MM)
Bare Copper Tape	BCT2003	20 X 3
	BCT2503	25 X 3
	BCT2504	25 X 4
	BCT2506	25 X 6
	BCT3103	31 X 3
	BCT3106	31 X 6
	BCT3803	38 X 3
	BCT3805	38 X 5
	BCT3806	38 X 6
	BCT4004	40 X 4
	BCT4006	40 X 6
	BCT5003	50 X 3
	BCT5006	50 X 6

High conductivity Copper Tape to BS1432-C101 / 103.



PVC Covered Copper Tape

Description	Code No.	Size(MM)
PVC Covered Copper Tape	PCT2503	25 X 3
	PCT2506	25 X 6
	PCT5006	50 X 6

Also available in Black, White, Stone, Brown & Grey



Flexible Copper Braid

Description	Code No.	Cond. Size(MM)
Flexible Copper Braid	FCB16	16
	FCB25	25
	FCB35	35
	FCB50	50
	FCB70	70

Available in Bare and Tinned.



Copper Bar

Description	Code No.	Size(MM)
Copper Bar	HCB2503	25 X 3
	HCB2506	25 X 6
	HCB3806	38 X 6
	HCB5006	50 X 6
	HCB5010	50 X 10
	HCB6506	75 X 6
	HCB8006	80 X 6
	HCB8010	80 X 10
	HCB1006	100 X 6
	HCB10020	100 X 20

Available in Bare and Tinned.



Solid Circular Conductor

Description	Code No.	Size(MM)
Solid Circular Conductor	SCC8	8

Available in various dia 3mm to 8mm.

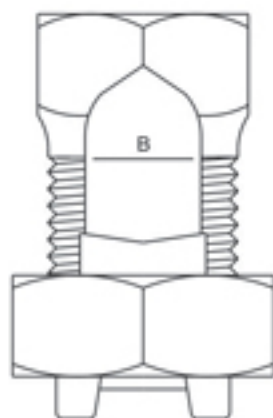


Line Tape

LINE TAPE / SPLIT BOLT CONNECTOR

Material : High Tensile Brass To BS 2874 CZ 112 & CuZn 40 Pb2 DIN 17660

Finish : Electro Tinned, Nickle, Copper & Natural Brass



Description	Code No.	Size(MM ²)	"B"
Line Tape / Split Bolt	LT10	10	4.5
	LT16	16	6.0
	LT25	25	6.9
	LT35	35	8.1
	LT50	50	9.7
	LT70	70	11.2
	LT95	95	13.6
	LT120	120	15.0
	LT150	150	16.6
	LT185	185	18.2
	LT240	240	21.4
	LT300	300	23.7
	LT400	400	26.2
	LT500	500	30.1

Also available in Gun Metal (Bronze) & Aluminum



Clamp - 1 Bolt

Description	Code No.	Size(MM ²)
P. G. Clamp with 1 Bolt	PGO16	16
	PGO25	25
	PGO35	35
	PGO50	50
	PGO70	70
	PGO95	95
	PGO150	150

Available in Brass, Aluminum & Copper with Tin & Nickle Plating.



Clamp - 2 Bolt

Description	Code No.	Size(MM ²)
P. G. Clamp with 2 Bolt	PGT16	16
	PGT25	25
	PGT35	35
	PGT50	50
	PGT70	70
	PGT95	95
	PGT150	150

Available in Brass, Aluminum & Copper with Tin & Nickle Plating.



Straight Cable Terminals

Description	Code No.	Size (MM ²)
Material →	Brass	
Straight Cable Terminals	SCT10	10
	SCT16	16
	SCT25	25
	SCT35	35
	SCT50	50
	SCT70	70
	SCT95	95
	SCT120	120
	SCT150	150
	SCT185	185
	SCT240	240
	SCT300	300

Available in Tin & Nickle finish.



Brass Sleeve

Description	Code No.	Size(MM ²)
Brass Sleeve for Soldering	BSS6	6
(With Screws)	BSS10	10
	BSS16	16
	BSS25	25
	BSS35	35
	BSS50	50
	BSS70	70
	BSS95	95
	BSS120	120
	BSS150	150
	BSS185	185
	BSS240	240
	BSS300	300

Manufactured in Brass & Copper with Tin & Nickle Plating.



Comb Clamp

Description	Code No.	Conduit Size
Material →	Brass	
Comb Clamp	CCO0305	3 – 5
	CCO0608	6 – 8
	CCO0912	9 – 12
	CCT0305	3 – 5
	CCT0608	6 – 8
	CCT0912	9 – 12
	CCT1214	12 – 14
	CCT1416	14 – 16
	CCT1822	18 – 22

With steel bolt.



Cable Holder

Description	Code No.	Size(MM)
Cable Holder	CH0812	8 – 12
	CH1218	12 – 18
	CH1622	16 – 22
	CH2228	22 – 28
	CH2834	28 – 34
	CH3438	34 – 38
	CH3842	38 – 42
	CH4256	42 – 56
	CH5664	56 – 64

Manufactured in steel Galvanised with plastic support.



C Crimp Copper Connector

Description	Code No.	Cond. Size(MM ²)
C Crimp Copper Connector	COC006	6
	COC010	10
	COC016	16
	COC025	25
	COC035	35
	COC050	50
	COC070	70
	COC095	95
	COC0120	120
	COC0150	150
	COC0185	185
	COC0240	240

Also available in tin plated.



Transformer Part

• Transformer Part

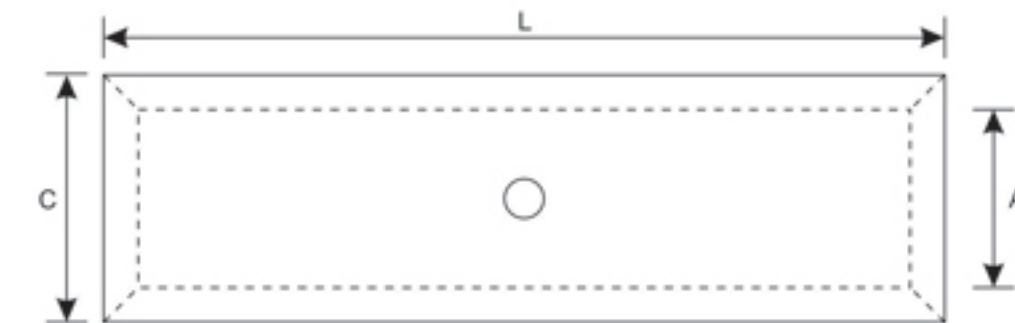
Pictures are for identification only - Patterns may vary.



Ferrule / Links

TINNED COPPER COMPRESSION FERRULE

Material : E-Cu DIN 40500 & BS 2874 C101
Surface : Electro Tinned



SHORT BARREL FERRULE					LONG BARREL FERRULE				
CODE NO.	CABLE SIZE SQ. MM	A	C	L	CODE NO.	CABLE SIZE SQ. MM	A	C	L
TFS1.5	1.5	1.8	3.7	12	TFL1.5	1.5	1.8	3.7	22
TFS2.5	2.5	2.4	4.0	15	TFL2.5	2.5	2.4	4.0	22
TFS4	4	3.1	4.8	15	TFL4	4	3.1	4.8	22
TFS6	6	3.8	5.5	15	TFL6	6	3.8	5.5	22
TFS10	10	4.5	6.2	20	TFL10	10	4.5	6.2	22
TFS16	16	5.4	7.1	20	TFL16	16	5.4	7.1	44
TFS25	25	6.8	8.8	32	TFL25	25	6.8	8.8	47
TFS35	35	8.2	10.6	36	TFL35	35	8.2	10.6	47
TFS50	50	9.5	12.4	40	TFL50	50	9.5	12.4	47
TFS70	70	11.2	14.7	45	TFL70	70	11.2	14.7	50
TFS95	95	13.5	17.4	45	TFL95	95	13.5	17.4	54
TFS120	120	15.0	19.4	45	TFL120	120	15.0	19.4	65
TFS150	150	16.5	21.2	55	TFL150	150	16.5	21.2	65
TFS185	185	18.5	23.5	60	TFL185	185	18.5	23.5	65
TFS240	240	21.0	26.5	80	TFL240	240	21.0	26.5	89
TFS300	300	23.5	30.0	85	TFL300	300	23.5	30.0	89
TFS400	400	28.5	36.5	85	TFL400	400	28.5	36.5	90
TFS500	500	30.0	39.0	100	TFL500	500	30.0	39.0	115
TFS630	630	35.0	45.0	110	TFL630	630	35.0	45.0	115
TFS800	800	39.0	50.6	150	TFL800	800	39.0	50.6	230
TFS1000	1000	43.0	56.2	170	TFL1000	1000	43.0	56.2	230



▶ Earth Block

- Manufactured From Tinned Brass.
- 4-Way Block : 1, 25mm and 3, 16mm cable hole.
Code No. EB4.
- 8-Way Block : 2, 25mm and 6, 16mm cable hole.
Code No. EB8.



▶ U Block

- Manufactured in Brass with Tinned & Nickle plated.
- Size : As per customer specification.



▶ Terminal Bar / Link

- Manufactured in Brass with Tinned & Nickle plated.
- Size : As per customer specification.



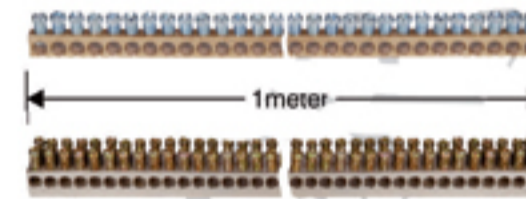
▶ Brass Bar with Base

Description	Code No.	Size
Brass Bar with Base	BRB07	7-way
	BRB12	12-way
	BRB15	15-way



▶ Brass Rail

- Manufactured in Brass & Copper with Tinned & Nickle plated.
- Size : 10 X 2mm, 10 X 3mm and 12 X 3mm Rod size.
Length : 1mtr., 1.5mtr., 2mtr.



▶ Brass Bar
(1 meter long)

Description	Code No.	Size (MM)	Cond. Size
Brass Bar	B1K0608	6 X 8	25A / 10mmsq
(1 meter long)	B1K0695	6 X 9.5	63A / 16mmsq
	B1K0808	8 X 8	25A / 10mmsq
	B1K0810	8 X 10	63A / 16mmsq
	B1K1015	10 X 15	125A / 25mmsq
	B1K1515	15 X 15	200A / 16mmsq
	B1K1535	15 X 15	125A / 35mmsq



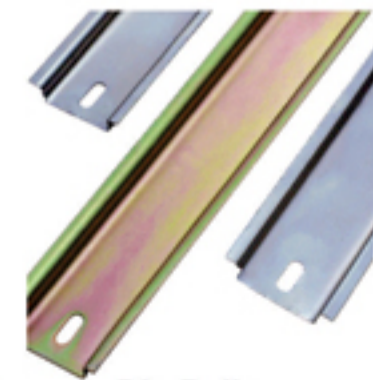
▶ Potential Equalization
Bar

Description	Code No.	Size
Potential Equalization Bar	PBB716	7 x 2.5 x 16



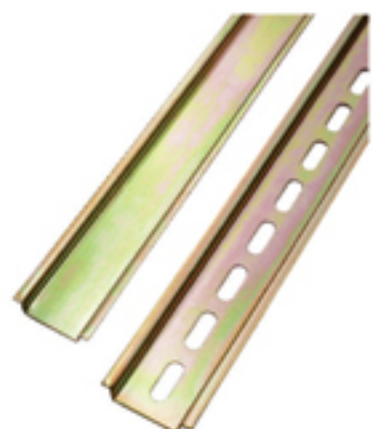
▶ Slopping Bracket

Description	Code No.	Size(MM)
Slopping Bracket	SBS05	M5
	SBS06	M6



▶ Din Rail

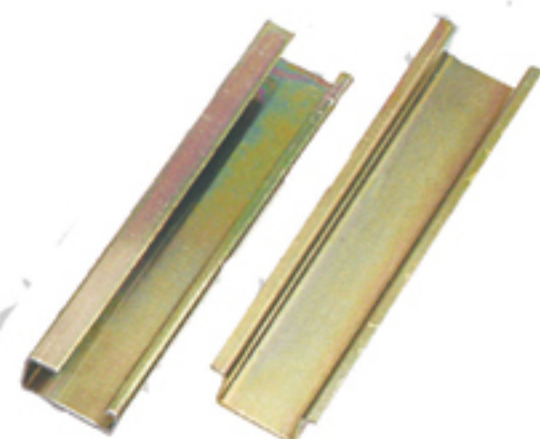
Description	Code No.	Size	Pack
Rail with 2 Holes	R35751H	35 X 7.5 X 1	50
	R351515H	35 X 15 X 1.5	50
	R3215H	32 X 1.5	25



Din Rail

Description	Code No.	Size	Pack
Rail without Holes	R35751	35 X 7.5 X 1	50
	R351515	35 X 15 X 1.5	50

Description	Code No.	Size	Pack
Rail with Holes	R35751SL	35 X 7.5 X 1	50
	R351515SL	35 X 15 X 1.5	50



Din Rail

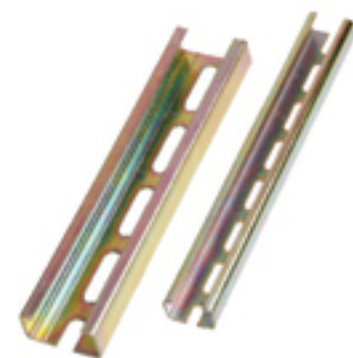
Description	Code No.	Size	Pack
Rail without Holes	R3215	32 X 1.5	25

Rail with Holes	R3515SL	32 X 1.5	25
-----------------	---------	----------	----



Steel Profile / Chennal

Description	Code No.	Size	Pack
Steel Profile / Chennal	R412115	41 X 21 X 1.5	25
	R414115	41 X 41 X 1.5	25



C- Chennal / Rail

Description	Code No.	Size	Pack
C- Chennal / Rail	C201001	20 X 10 X 1	50
	C251515	25 X 15 X 1.5	50
	C402015	40 X 20 X 1.5	25



G.I. Boxes

Description	Code No.	Size
G.I.(Metal) & PVC Circular Boxes	JNB20	20MM/3/4"
	JNB25	25MM/1"
	JNB32	32MM/1.1/4"
	JNB40	40MM/1.1/2"
	JNB50	50MM/2"



G.I. Bend

Description	Code No.	Size
G.I. Bend	BEND20	20MM/3/4"
	BEND25	25MM/1"
	BEND32	32MM/1.1/4"
	BEND40	40MM/1.1/2"
	BEND50	50MM/2"



G.I. Coupler

Description	Code No.	Size
G.I. Coupler	CN20	20MM/3/4"
	CN25	25MM/1"
	CN32	32MM/1.1/4"
	CN40	40MM/1.1/2"
	CN50	50MM/2"



Saddle Bar

Description	Code No.	Size
Saddle Bar with Base	BS20	20MM/3/4"
	BS25	25MM/1"
	BS32	32MM/1.1/4"
	BS40	40MM/1.1/2"
	BS50	50MM/2"



Half Saddle

Description	Code No.	Size
Half Saddle	HS20	20MM/3/4"
	HS25	25MM/1"
	HS32	32MM/1.1/4"
	HS40	40MM/1.1/2"
	HS50	50MM/2"



G.I. Lock Nut

Description	Code No.	Size
G.I.(Metal) Lock Nut	LN20	20MM/3/4"
	LN25	25MM/1"
	LN32	32MM/1.1/4"
	LN40	40MM/1.1/2"
	LN50	50MM/2"



Galvanised Metal & PVC Coated Flexible Pipe

Description	Code No.		Size
	Galvanised	PVC Coated	
Galvanised	GFP16	PFP16	16MM/5/8"
Metal & PVC Coated	GFP20	PFP20	20MM/3/4"
Flexible Pipe	GFP25	PFP25	25MM/1"
	GFP32	PFP32	32MM/1.1/4"
	GFP40	PFP40	40MM/1.1/2"
	GFP50	PFP50	50MM/2"



Nickel Plated Adaptor With Cap

Description	Code No.	Size
Nickel Plated Adaptor With Cap	NPA16	16MM/5/8"
	NPA20	20MM/3/4"
	NPA25	25MM/1"
	NPA32	32MM/1.1/4"
	NPA40	40MM/1.1/2"
	NPA50	50MM/2"

Manufacture in Brass Nickel Plated.



Nickel Plated Adaptor With Cap Swivel Type

Description	Code No.	Size
Nickel Plated Adaptor With Cap Swivel Type	NSA16	16MM/5/8"
	NSA20	20MM/3/4"
	NSA25	25MM/1"
	NSA32	32MM/1.1/4"
	NSA40	40MM/1.1/2"
	NSA50	50MM/2"

Manufacture in Brass Nickel Plated.



Male Adaptor with Screw & Nut

Description	Code No.	Size
Male Adaptor	MA2020	20MM/3/4"
With Screw & Nut	MA2525	25MM/1"
	MA3232	32MM/1.1/4"
	MA4040	40MM/1.1/2"
	MA5050	50MM/2"

Manufacture in Brass.



Female Adaptor

Description	Code No.	Size
Female Adaptor	FA2020	20MM/3/4"
	FA2525	25MM/1"
	FA3232	32MM/1.1/4"
	FA4040	40MM/1.1/2"
	FA5050	50MM/2"



Male-Female Bush

Description	Code No.		Size
	Male	Female	
Male Female Bush	MB20	FB20	20MM/3/4"
	MB25	FB25	25MM/1"
	MB32	FB32	32MM/1.1/4"
	MB40	FB40	40MM/1.1/2"
	MB50	FB50	50MM/2"



Brass Washer

Description	Code No.	Size
Brass Washer	26-04	M4
	26-05	M5
	26-06	M6
	26-08	M8
	26-10	M10
	26-12	M12
	26-14	M14



Steel Spring Washer

Description	Code No.	Size
Steel Spring Washer	28-04	M4
	28-05	M5
	28-06	M6
	28-08	M8
	28-10	M10
	28-12	M12
	28-14	M14

Available in Zinc & Nickle finish.



Brass / Steel Nut, Bolt & Washer

Description	Code No.	Size
Brass / Steel Nut, Bolt & Washer	29-04	M4
	29-05	M5
	29-06	M6
	29-08	M8
	29-10	M10
	29-12	M12
	29-14	M14



Brass / Steel Wood Screw

Description	Code No.	Size
Brass / Steel Wood Screw	30-X	X

X = Customised - Specify required type and size.



Brass / Steel Machine Screw

Description	Code No.	Size
Brass / Steel Machine Screw	31-X	X

X = Customised - Specify required type and size.



Brass Anchor

Description	Code No.	Size
Brass Anchor	43-5/32	5/32
	43-04	M4
	43-05	M5
	43-06	M6
	43-08	M8
	43-10	M10
	43-12	M12
	43-14	M14
	43-16	M16



- Male Pin for 16 Amp. & 32 Amp. Plug & Socket.
- Manufactured in Brass with Steel Screw.
- In Natural Brass, Nickle & Tin plated surface.



- Female Pin for 16 Amp. & 32 Amp. Plug & Socket.
- Manufactured in Brass with Steel Screw.
- In Natural Brass, Nickle & Tin plated surface.



- Brass Terminal for 5 Amp., 10 Amp., 15 Amp. & 30 Amp.
- Plastic & Bakelite strip connector.
- Manufactured in Brass with Steel Screw.
- In Natural Brass, Nickle & Tin plated surface.



- Brass Terminal for OEM.
- Manufactured in Brass.
- In Natural Brass, Nickle & Tin plated surface.

Brass Inserts Threaded



- Brass Inserts use for insulating supporter.
- Manufactured in Brass.
- Available in M3, M4, M5, M6, M8 & M10 Thread.

- The universal Brass Inserts for high load connection in light alloy, cast iron, non ferrous metals, plastic and wood.
- Manufactured in Brass.
- Available in M6, M8 & M10 Thread.



- Brass Inserts for plastic.
- Manufactured in Brass.
- Available in M6, M8 & M10 Thread.

- Brass Inserts for plastic.
- Manufactured in Brass.
- Available in M3 & M3.5 Thread.



- Brass Inserts for plastic.
- Manufactured in Brass.
- Available in M2.5, M3, M3.5, M4 & M6 Thread.

Our Other Range of Products



Brass Hose Barb Fittings



Brass Compression Fittings



Brass Flare Fittings



Brass Pipe Fittings



Brass Battery Terminal



7-Pin Connector & Switches



Part Number Index

Table of part numbers and descriptions for page 49, including items like B1K0808, BRT1426, CCG20, etc.

STERLING

Tel. No.: +91 288 2561546 / 2560030 • Fax: +91 288 2561626

Web: www.sterling-ent.com • E-mail: info@sterling-ent.com /chetanhirpara@yahoo.com



Part Number Index

Table of part numbers and descriptions for page 50, including items like GTC95, MT45, R351515SL, etc.

STERLING

Tel. No.: +91 288 2561546 / 2560030 • Fax: +91 288 2561626

Web: www.sterling-ent.com • E-mail: info@sterling-ent.com /chetanhirpara@yahoo.com