



Gold plate

Satin Chrome Plate

Light Antique Brass

Satin Nickel Plate

Lacquered Polished



Polished Brass

Antique Brass

Bronze Finish

Chrome Plate

Satin Brass



## INFINITIE IMPEX

Patel Estate, Shed No 3, Shed no -45/A, Opposite Jakat naka,  
Gokul Nagar Road, Jamnagar - 361005, Gujarat, India

Mobile no . : +919429977822

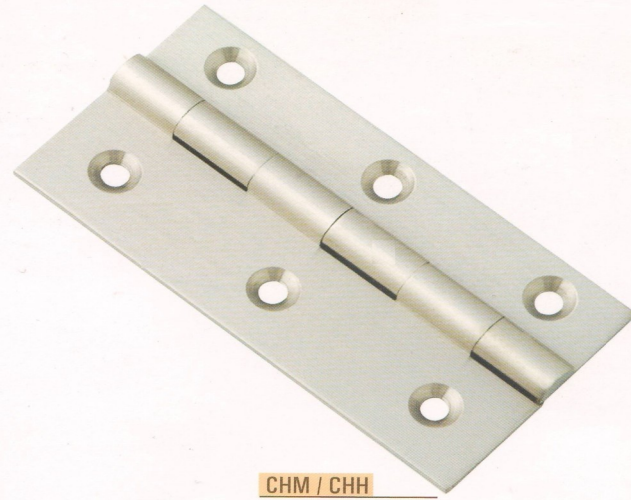
Email : [infiniteimpex@gmail.com](mailto:infiniteimpex@gmail.com)

Web : [infiniteimpex.com](http://infiniteimpex.com)

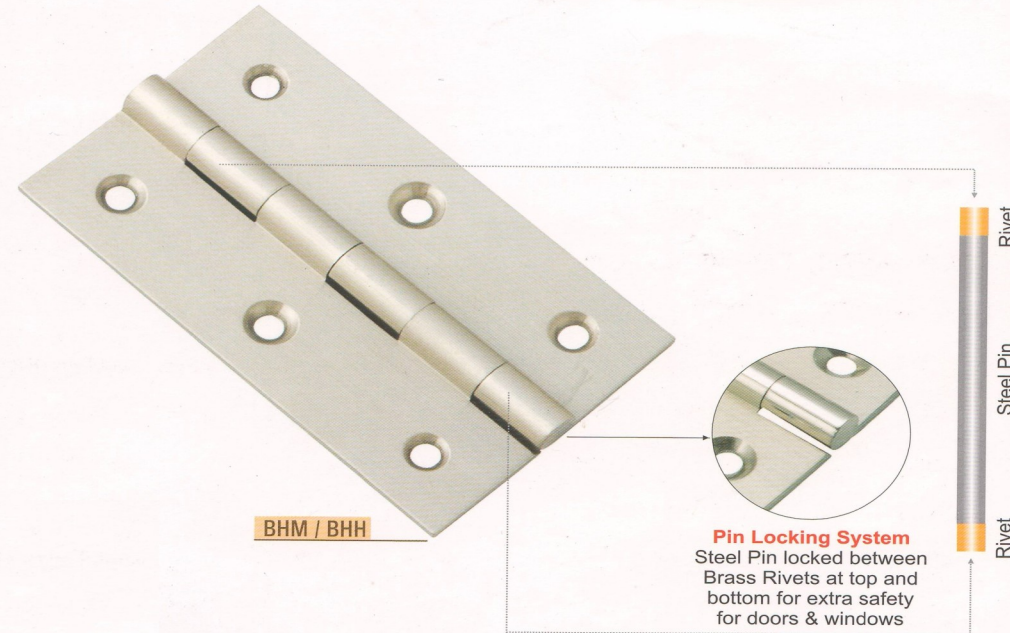




# Hinges

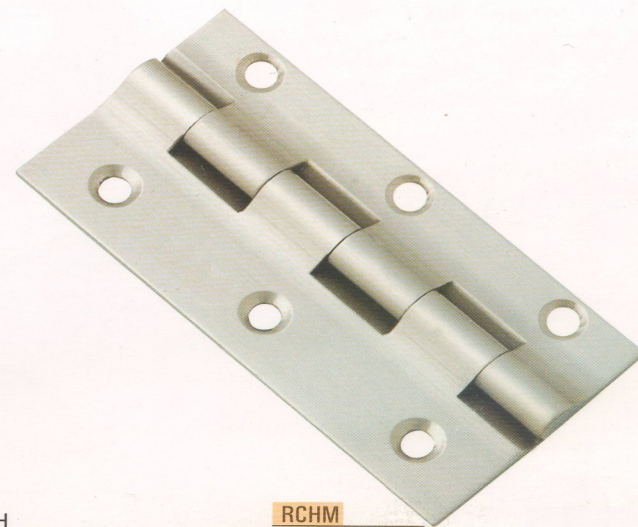


CHM / CHH



BHM / BHH

**Pin Locking System**  
Steel Pin locked between Brass Rivets at top and bottom for extra safety for doors & windows



RCHM

BHH / RH / RHM / RHH / RHEH  
Also Available with Pin Locking System

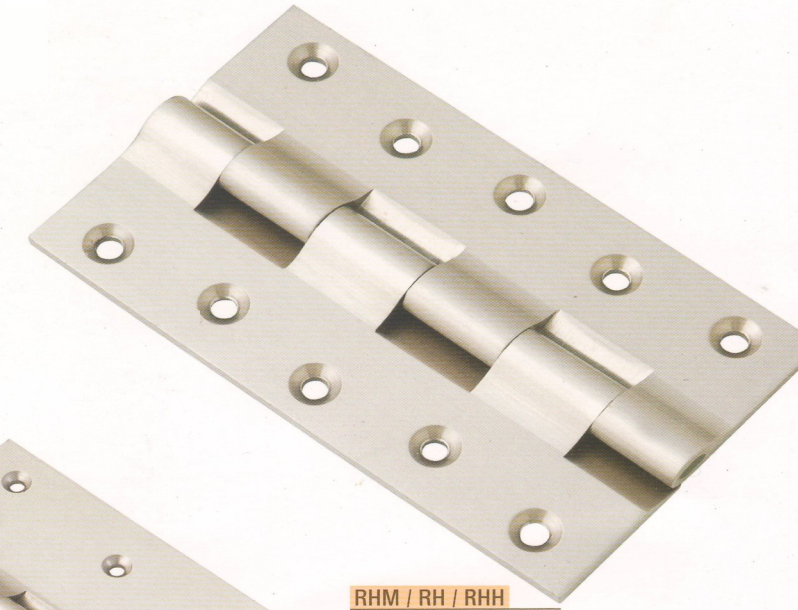
CUTT HINGES		
CODE	SIZE IN INCH	SIZE IN MM
3/32" (Thickness 2 mm)		
CHM-101	3 X 3/8 X 5/8	75 X 9 X 16
CHM-102	3 X 1/2 X 3/4	75 X 12 X 19
CHM-103	4 X 1/2 X 3/4	100 X 12 X 19
CHM-104	3 X 1/2 X 1	75 X 12 X 25
CHM-105	4 X 1/2 X 1	100 X 12 X 25
CHM-106	3 X 3/4 X 1	75 X 19 X 25
CHM-107	4 X 3/4 X 1	100 X 19 X 25
CHM-108	3 X 1/2 X 1.1/2	75 X 12 X 38
CHM-109	4 X 1/2 X 1.1/2	100 X 12 X 38
CHM-110	3 X 3/4 X 1.1/2	75 X 19 X 38
CHM-111	4 X 3/4 X 1.1/2	100 X 19 X 38
CHM-112	2 X 3/8 X 1.1/8	50 X 9 X 28
CHM-113	2.1/2 X 3/8 X 1.1/8	63 X 9 X 28
CHM-114	3 X 3/8 X 1.1/8	75 X 9 X 28
CHM-115	3 X 1/2 X 1.1/8	75 X 12 X 28
1/8" (Thickness 3 mm)		
CHH-116	3 X 1/2 X 3/4	75 X 12 X 19
CHH-117	4 X 1/2 X 3/4	100 X 12 X 19
CHH-118	3 X 1/2 X 1	75 X 12 X 25
CHH-119	4 X 1/2 X 1	100 X 12 X 25
CHH-120	3 X 3/4 X 1	75 X 19 X 25
CHH-121	4 X 3/4 X 1	100 X 19 X 25

BUTT HINGES		
CODE	SIZE IN INCH	SIZE IN MM
3/32" (Thickness 2 mm)		
BHM-122	3 X 1/2	75 X 12
BHM-123	3 X 3/8	75 X 9
BHM-124	3 X 5/8	75 X 16
BHM-125	3 X 3/4	75 X 19
BHM-126	4 X 3/4	100 X 19
BHM-127	3 X 7/8	75 X 22
BHM-128	4 X 7/8	100 X 22
BHM-129	3 X 1	75 X 25
BHM-130	4 X 1	100 X 25
1/8" (Thickness 3 mm), 5/32" (Thickness 4 mm)		
BHH-131	3 X 3/4	75 X 19
BHH-132	4 X 3/4	100 X 19
BHH-133	3 X 7/8	75 X 22
BHH-134	4 X 7/8	100 X 22
BHH-135	3 X 1	75 X 25
BHH-136	4 X 1	100 X 25
BHH-137	4 X 3 X 3mm	100 X 75
BHH-138	4 X 3 X 4mm	100 X 75

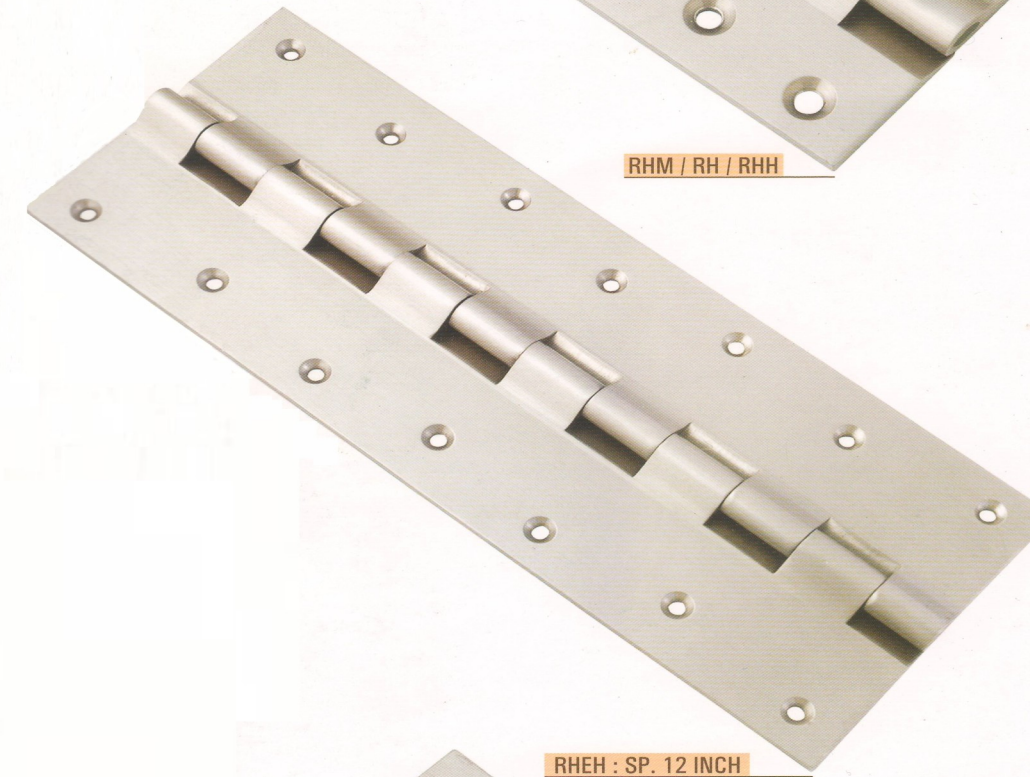
RAILWAY CUTT HINGES 3/32" (2mm Thick)		
CODE	SIZE IN INCH	SIZE IN MM
RCHM-139	3 X 1/2 X 3/4	75 X 12 X 19



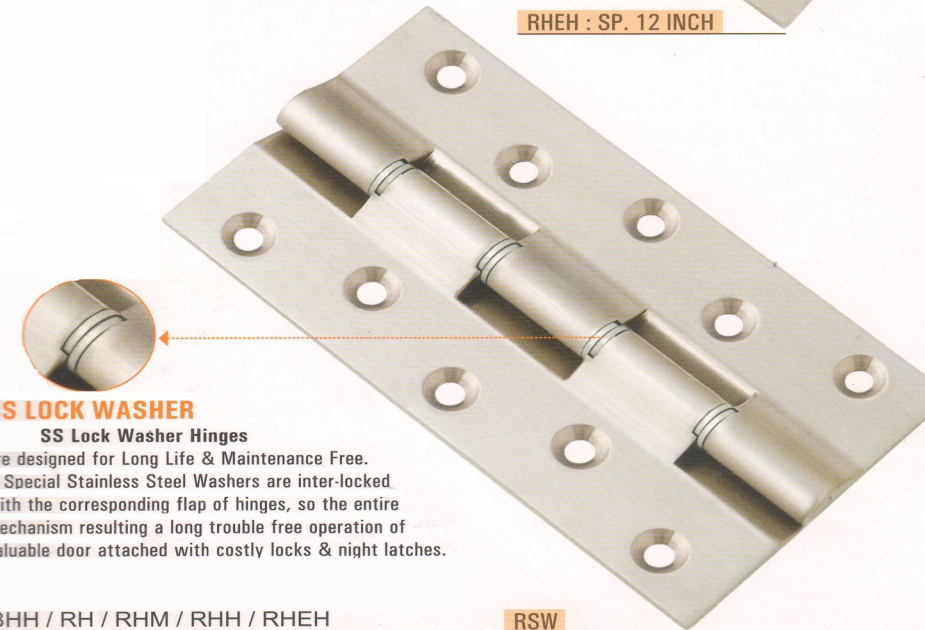
# Hinges



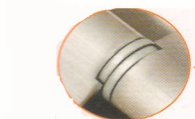
RHM / RH / RHH



RHEH : SP. 12 INCH



RSW



**SS LOCK WASHER**

**SS Lock Washer Hinges** are designed for Long Life & Maintenance Free. A Special Stainless Steel Washers are inter-locked with the corresponding flap of hinges, so the entire mechanism resulting a long trouble free operation of valuable door attached with costly locks & night latches.

BHH / RH / RHM / RHH / RHEH  
Also Available with Pin Locking System

RAILWAY HINGES		
CODE	SIZE IN INCH	SIZE IN MM
3/32" (Thickness 2 mm)		
RHM-140	3 X 3/4	75 X 19
RHM-141	3 X 7/8	75 X 22
RHM-142	4 X 7/8	100 X 22
1/8" (Thickness 3 mm)		
RH-143	3 X 7/8	75 X 22
RH-144	4 X 7/8	100 X 22
RH-145	3 X 1	75 X 25
RH-146	4 X 1	100 X 25
RH-147	5 X 1	125 X 25
RH-148	4 X 1.1/8	100 X 28
RH-149	5 X 1.1/8	125 X 28
RH-150	6 X 1.1/8	150 X 28
RH-151	4 X 3	100 X 75
RH-152	5 X 3	125 X 75
RH-153	6 X 3	150 X 75
5/32" (Thickness 4 mm)		
RHH-154	4 X 1.1/8	100 X 28
RHH-155	5 X 1.1/8	125 X 28
RHH-156	6 X 1.1/8	150 X 28
RHH-157	4 X 1.1/4	100 X 31
RHH-158	5 X 1.1/4	125 X 31
RHH-159	6 X 1.1/4	150 X 31
3/16" (Thickness 4.5 mm)		
RHEH-160	4 X 1.1/4	100 X 31
RHEH-161	5 X 1.1/4	125 X 31
RHEH-162	6 X 1.1/4	150 X 31
RHEH-163	8 X 1.1/4	200 X 31
RHEH-164	4 X 1.1/2	100 X 38
RHEH-165	5 X 1.1/2	125 X 38
RHEH-166	6 X 1.1/2	150 X 38
RHEH-167	8 X 1.1/2	200 X 38
RHEH-168	10 X 1.1/2	250 X 38
RHEH-169	12 X 1.1/2	300 X 38
RHEH-170	6 X 2	150 X 50
RHEH-171	8 X 2	200 X 50
RHEH-172	10 X 2	250 X 50
RHEH-173	12 X 2	300 X 50

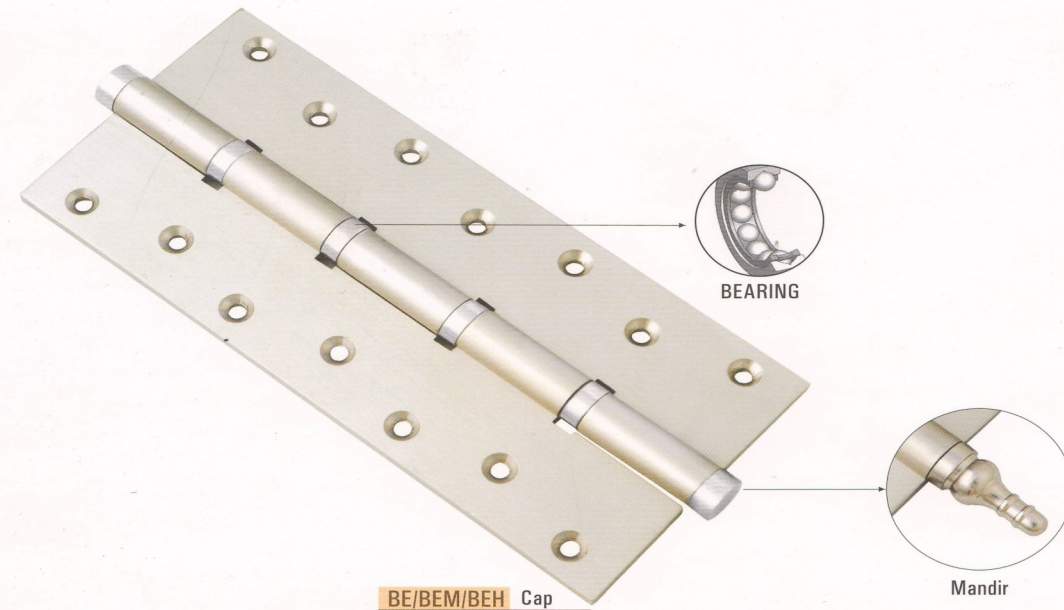
RAILWAY HINGES (WITH S.S. WASHER)		
CODE	SIZE IN INCH	SIZE IN MM
1/8" (Thickness 3 mm)		
RSW-174	3 X 7/8	75 X 22
RSW-175	4 X 1	100 X 25
5/32" (Thickness 4 mm)		
RSW-176	4 X 1.1/8	100 X 28
RSW-177	5 X 1.1/8	125 X 28
RSW-178	5 X 1.1/4	125 X 31



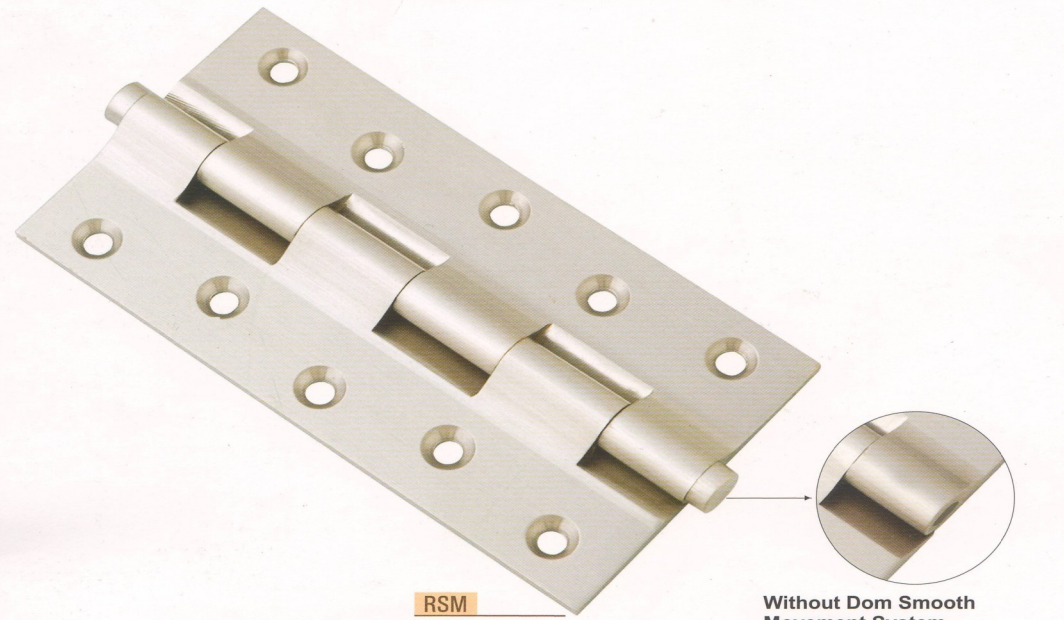
**INFINITIE IMPEX**  
beginning of new era

BRASS BUILDING HARDWARE

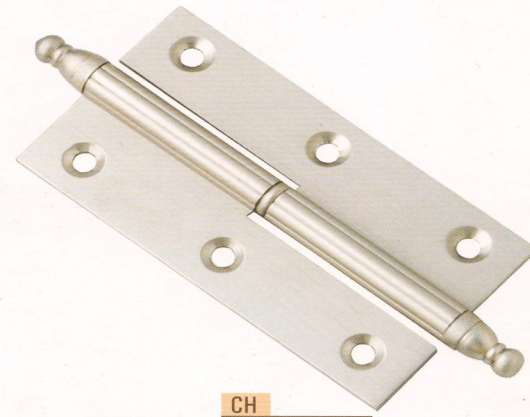
# Hinges



BEARING HINGES (4 Bearing)		
(Doom Available : Cap & Mandir)		
CODE	SIZE IN INCH	SIZE IN MM
Thickness 2.5 mm		
BE-179/180	3 X 2	75 X 50
Thickness 3 mm		
BE-181/182	3 X 2.5	75 X 63
BE-183/184	4 X 2.5	100 X 63
BE-185/186	4 X 3	100 X 75
BE-187/188	5 X 3	125 X 75
BE-189/190	6 X 3	150 X 75
Thickness 4 mm		
BEM-191/192	4 X 3	100 X 75
BEM-193/194	5 X 3	125 X 75
BEM-195/196	6 X 3	150 X 75
BEM-197/198	4 X 3.5	100 X 88
BEM-199/200	5 X 3.5	125 X 88
BEM-201/202	6 X 3.5	150 X 88
Thickness 5 mm		
BEH-203/204	5 X 3	125 X 75
BEH-205/206	6 X 3	150 X 75
BEH-207/208	8 X 3	200 X 75
BEH-209/210	5 X 3.5	125 X 88
BEH-211/212	6 X 3.5	150 X 88
BEH-213/214	8 X 3.5	200 X 88



RAILWAY SMOOTH HINGES		
CODE	SIZE IN INCH	SIZE IN MM
Thickness 2 mm		
RSM-215	3 X 3/4	75 X 19
Thickness 3 mm		
RSM-216	3 X 7/8	75 X 22
RSM-217	4 X 1.1/8	100 X 28
RSM-218	5 X 1.1/8	125 X 28
RSM-219	6 X 1.1/8	150 X 28
Thickness 4 mm		
RSM-220	4 X 1.1/8	100 X 28
RSM-221	5 X 1.1/8	125 X 28
RSM-222	6 X 1.1/8	150 X 28
Thickness 4.5 mm		
RSM-223	5 X 1.1/4	125 X 31
RSM-224	6 X 1.1/4	150 X 31
RSM-225	8 X 1.1/4	200 X 31



CROWN (REFLEX) HINGES (Pair)		
CODE	SIZE IN INCH	SIZE IN MM
1/16" (Thickness 1.5 mm)		
CH-226	2.1/2 X 5/8	63 X 16
CH-227	3 X 5/8	75 X 16
3/32 (Thickness 2 mm)		
CH-228	3 X 5/8	75 X 16
CH-229	4 X 5/8	100 X 16
1/8" (Thickness 3 mm)		
CH-230	4 X 1.1/4	100 X 31
CH-231	5 X 1.1/4	125 X 31

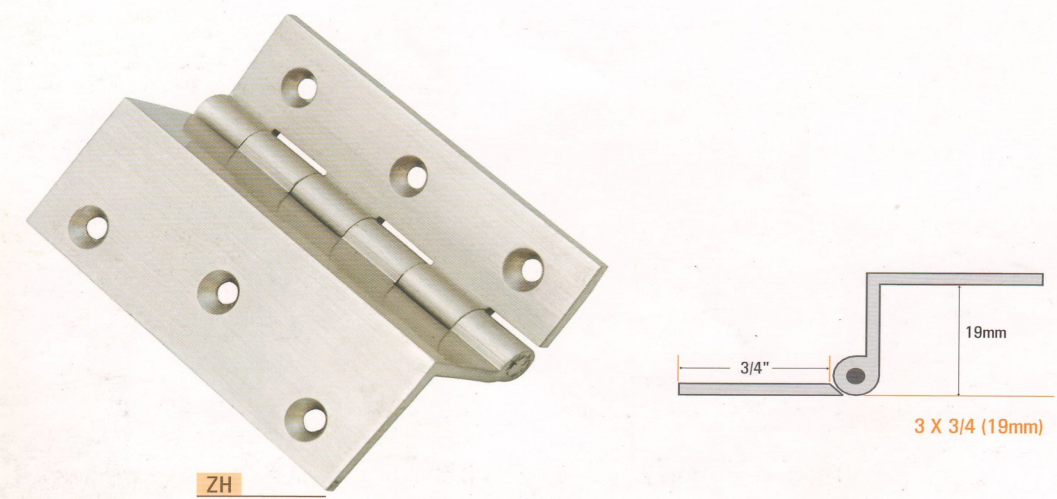
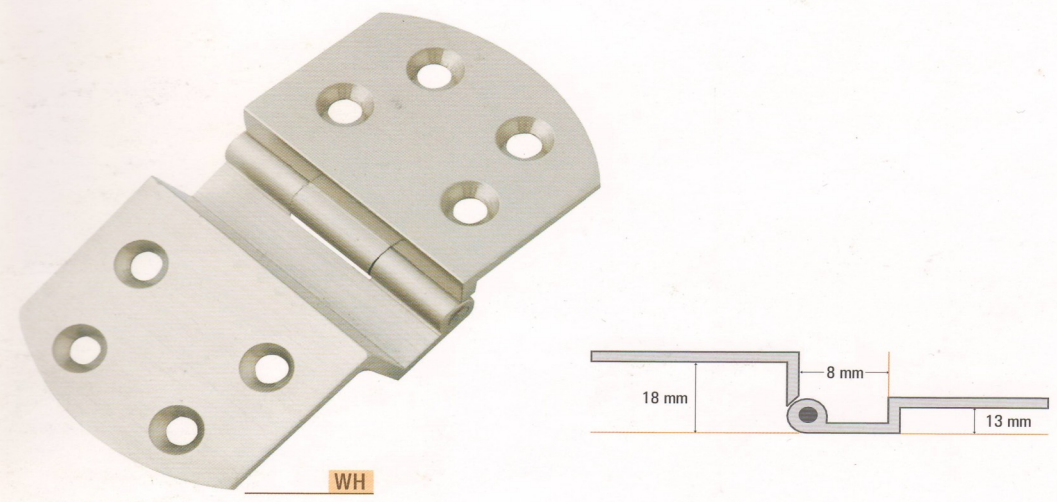
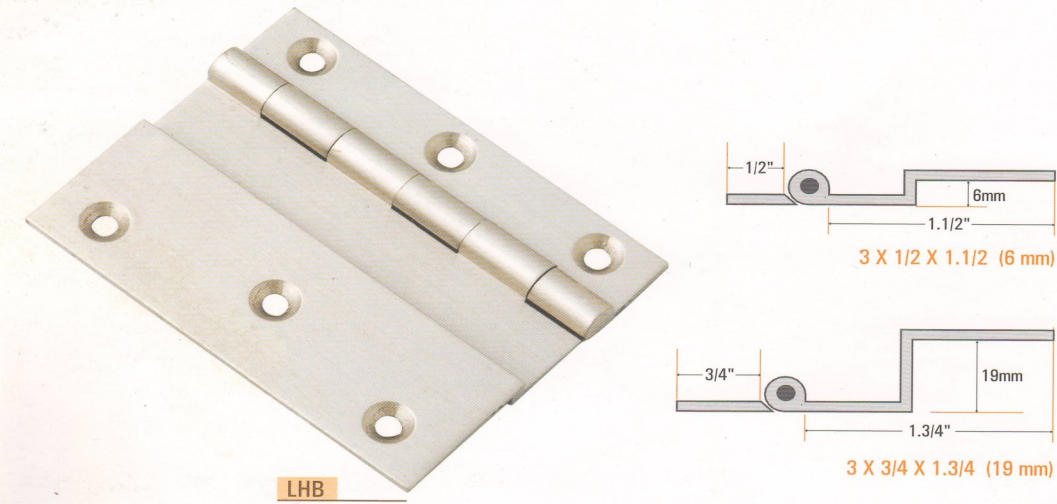
RH / RHM / RHH / RHEH  
Also Available without Dom Smooth Movement System



**INFINITIE IMPEX**  
beginning of new era

BRASS BUILDING HARDWARE

# Hinges



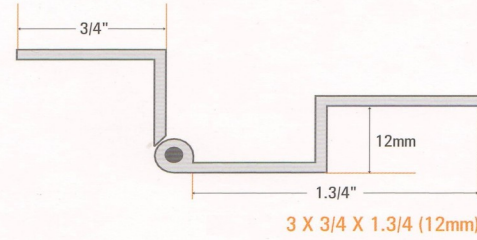
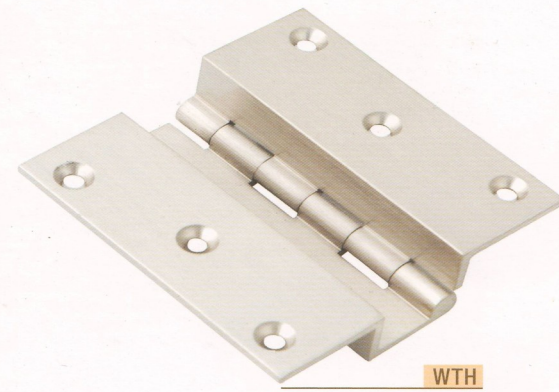
"L" HINGES		
CODE	SIZE IN INCH	SIZE IN MM
L HINGES 6 mm (Thickness 2.5 mm)		
LHB-232	3 X 3/8 X 1.1/4	75 X 9 X 31
LHB-233	4 X 3/8 X 1.1/4	100 X 9 X 31
LHB-234	3 X 1/2 X 1.1/2	75 X 12 X 38
LHB-235	4 X 1/2 X 1.1/2	100 X 12 X 38
LHB-236	3 X 3/4 X 1.3/4	75 X 19 X 44
LHB-237	4 X 3/4 X 1.3/4	100 X 19 X 44
LHB-238	3 X 1 X 2	75 X 25 X 50
LHB-239	4 X 1 X 2	100 X 25 X 50
L HINGES 12 mm (Thickness 2.5 mm)		
LHB-240	3 X 3/8 X 1.1/4	75 X 9 X 31
LHB-241	4 X 3/8 X 1.1/4	100 X 9 X 31
LHB-242	3 X 1/2 X 1.1/2	75 X 12 X 38
LHB-243	4 X 1/2 X 1.1/2	100 X 12 X 38
LHB-244	3 X 3/4 X 1.3/4	75 X 19 X 44
LHB-245	4 X 3/4 X 1.3/4	100 X 19 X 44
LHB-246	3 X 1 X 2	75 X 25 X 50
LHB-247	4 X 1 X 2	100 X 25 X 50
L HINGES 19 mm (Thickness 2.5 mm)		
LHB-248	3 X 3/8 X 1.1/4	75 X 9 X 31
LHB-249	4 X 3/8 X 1.1/4	100 X 9 X 31
LHB-250	3 X 1/2 X 1.1/2	75 X 12 X 38
LHB-251	4 X 1/2 X 1.1/2	100 X 12 X 38
LHB-252	3 X 3/4 X 1.3/4	75 X 19 X 44
LHB-253	4 X 3/4 X 1.3/4	100 X 19 X 44
LHB-254	3 X 1 X 2	75 X 25 X 50
LHB-255	4 X 1 X 2	100 X 25 X 50
L HINGES 25 mm (Thickness 2.5 mm)		
LHB-256	3 X 1/2 X 1.1/2	75 X 12 X 38
LHB-257	4 X 1/2 X 1.1/2	100 X 12 X 38
LHB-258	3 X 3/4 X 1.3/4	75 X 19 X 44
LHB-259	4 X 3/4 X 1.3/4	100 X 19 X 44
LHB-260	3 X 1 X 2	75 X 25 X 50
LHB-261	4 X 1 X 2	100 X 25 X 50

"W" HINGES (Thickness 3 mm)		
CODE	SIZE IN INCH	SIZE IN MM
WH-262	2" (Super)	50 X 5 X 18
WH-263	2" (Special)	50 X 5 X 18
WH-264	2" (Heavy)	50 X 5 X 18
WH-265	3"	75 X 5 X 18
WH-266	4"	100 X 5 X 18

"Z" HINGES		
CODE	SIZE IN INCH	SIZE IN MM
ZH-267	3 X 1/2 (12mm)	75 X 12
ZH-268	4 X 1/2 (12mm)	100 X 12
ZH-269	3 X 3/4 (19mm)	75 X 19
ZH-270	4 X 3/4 (19mm)	100 X 19
ZH-271	3 X 1 (25mm)	75 X 25
ZH-272	4 X 1 (25mm)	100 X 25



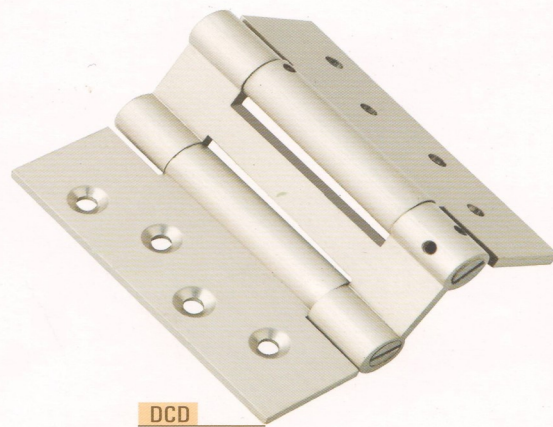
## Hinges



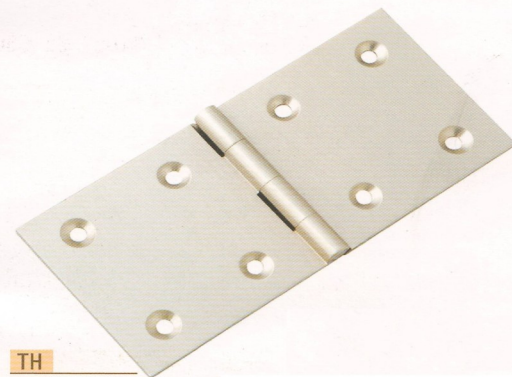
3 X 3/4 X 1.3/4 (12mm)



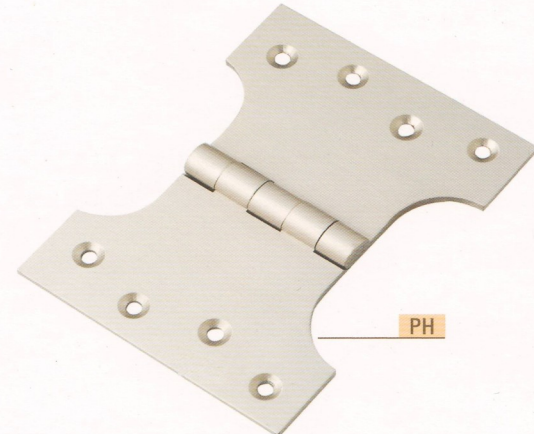
DCS



DCD



TH



PH

### "W" TYPE HINGES (2 in 1)

CODE	SIZE IN INCH	SIZE IN MM
<b>W TYPE HINGES 6 mm</b>		
WTH-273	3 X 1/2 X 1.1/2	75 X 12 X 38
WTH-274	4 X 1/2 X 1.1/2	100 X 12 X 38
<b>W TYPE HINGES 12 mm</b>		
WTH-275	3 X 1/2 X 1.1/2	75 X 12 X 38
WTH-276	4 X 1/2 X 1.1/2	100 X 12 X 38
WTH-277	3 X 3/4 X 1.3/4	75 X 19 X 44
WTH-278	4 X 3/4 X 1.3/4	100 X 19 X 44
<b>W TYPE HINGES 19 mm</b>		
WTH-279	3 X 1/2 X 1.1/2	75 X 12 X 38
WTH-280	4 X 1/2 X 1.1/2	100 X 12 X 38
WTH-281	3 X 3/4 X 1.3/4	75 X 19 X 44
WTH-282	4 X 3/4 X 1.3/4	100 X 19 X 44
<b>W TYPE HINGES 25 mm</b>		
WTH-283	3 X 1/2 X 1.1/2	75 X 12 X 38
WTH-284	4 X 1/2 X 1.1/2	100 X 12 X 38
WTH-285	3 X 3/4 X 1.3/4	75 X 19 X 44
WTH-286	4 X 3/4 X 1.3/4	100 X 19 X 44

### PARLAMENT HINGES

CODE	SIZE IN INCH	SIZE IN MM
PH-287	3 X 3	75 X 75
PH-288	4 X 2	100 X 50
PH-289	4 X 3	100 X 75
PH-290	4 X 4	100 X 100
PH-291	4 X 5	100 X 125
PH-292	4 X 6	100 X 150
PH-293	5 X 5	125 X 125
PH-294	5 X 6	125 X 150
PH-295	6 X 6	150 X 150
PH-296	5 X 8	125 X 200

### DOOR CLOSER HINGES (Single Action)

CODE	SIZE IN INCH	SIZE IN MM
DCS-297	4"	100mm
DCS-298	5"	125mm

### DOOR CLOSER HINGES (Double Action)

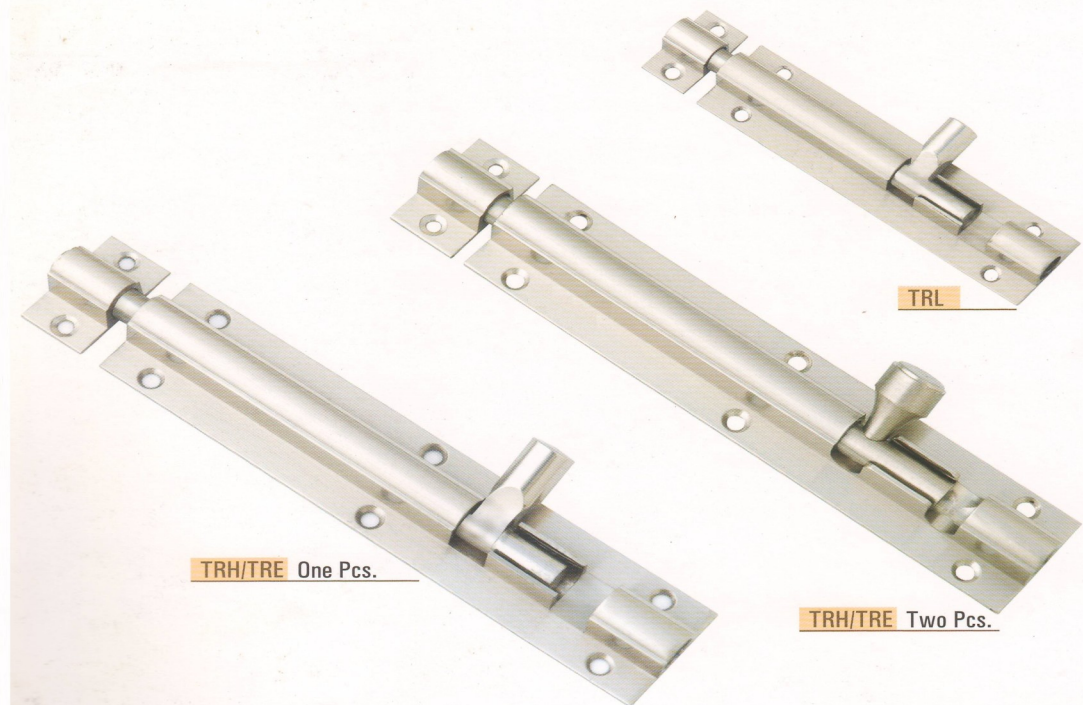
CODE	SIZE IN INCH	SIZE IN MM
DCD-299	4"	100mm
DCD-300	5"	125mm

### TABLE HINGES

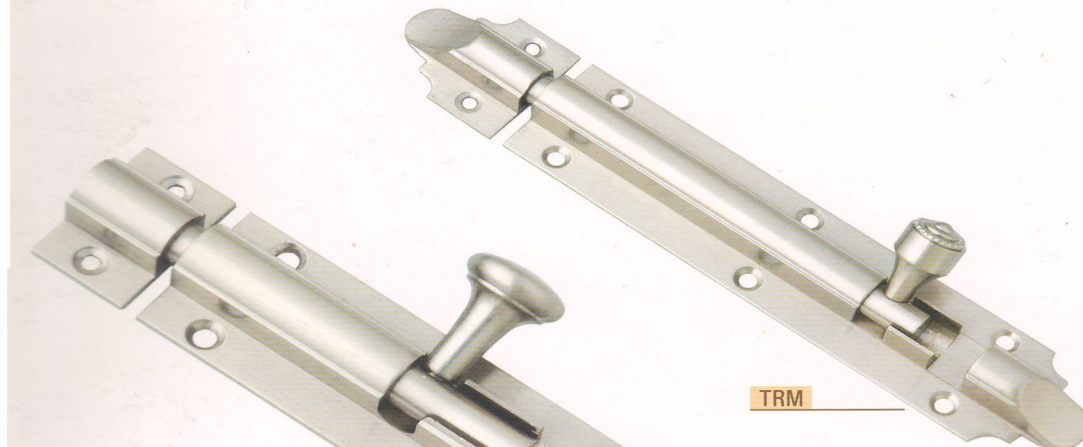
CODE	SIZE IN INCH	SIZE IN MM
TH-301	1/2 X 1"	12 X 25
TH-302	3/4 X 1"	19 X 25
TH-303	1 X 1"	25 X 25
TH-304	1.1/4 X 1.1/4	31 X 31
TH-305	1.1/2 X 1.1/2	38 X 38
TH-306	2 X 2"	50 X 50



## Tower bolts



TRL

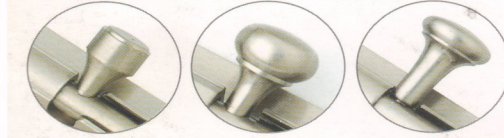


TRH/TRE One Pcs.

TRH/TRE Two Pcs.



TRM



PLAIN KNOB    BIG KNOB    PD KNOB



TRS/TRH 10mm

TRS/TRH 12mm

### TOWER BOLT

6mm (1/4)	8mm (5/16)	INCH	MM
TRL-401	TRL-405	2"	50mm
TRL-402	TRL-406	2.1/2"	63mm
TRL-403	TRL-407	3"	75mm
TRL-404	TRL-408	4"	100mm
	TRL-409	6"	150mm

### TOWER BOLT 3/8"

(EX.Heavy) (Round & "V" Hax) (9mm Thick)

HEAVY	EX. HEAVY	INCH	MM
TRH-410	TRE-416	3"	75mm
TRH-411	TRE-417	4"	100mm
TRH-412	TRE-418	6"	150mm
TRH-413	TRE-419	8"	200mm
TRH-414	TRE-420	10"	250mm
TRH-415	TRE-421	12"	300mm
	TRE-422	15"	380mm
	TRE-423	18"	450mm
	TRE-424	24"	600mm

Other Designer Big Knob Available

### TOWER BOLT 3/8" Mandir (9mm Thick)

CODE	SIZE IN INCH	SIZE IN MM
TRM-425	4"	100mm
TRM-426	6"	150mm
TRM-427	8"	200mm
TRM-428	10"	250mm
TRM-429	12"	300mm
TRM-430	15"	380mm
TRM-431	18"	450mm

### TOWER BOLT 10mm (Heavy)

SPECIAL	HEAVY	INCH	MM
TRS-432	TRH-437	4"	100mm
TRS-433	TRH-438	6"	150mm
TRS-434	TRH-439	8"	200mm
TRS-435	TRH-440	10"	250mm
TRS-436	TRH-441	12"	300mm
	TRH-442	15"	380mm
	TRH-443	18"	450mm
	TRH-444	24"	600mm

Other Designer Big Knob Available

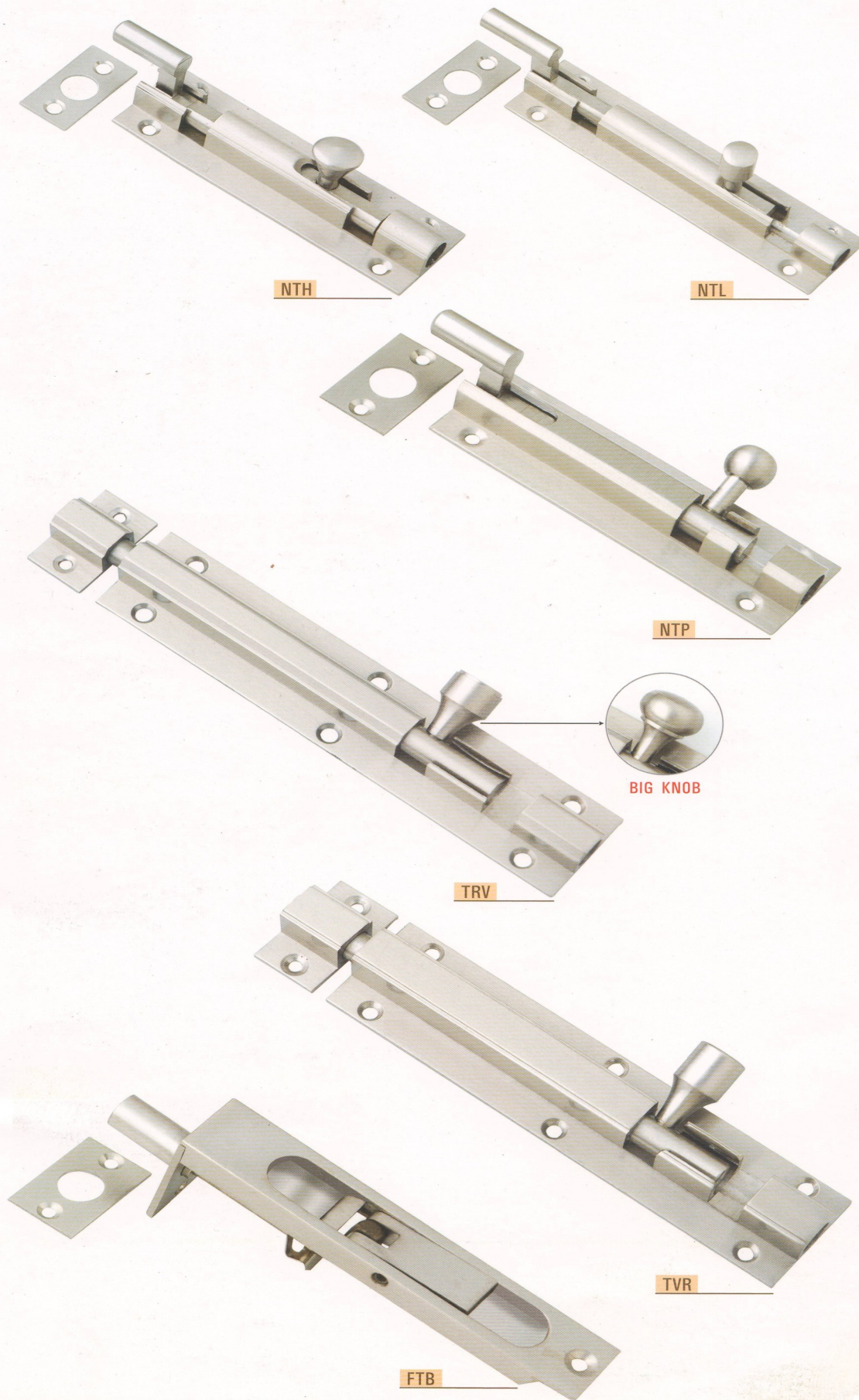
### TOWER BOLT 1/2 (12mm) (Heavy)

SPECIAL	HEAVY	INCH	MM
TRS-445	TRH-450	4"	100mm
TRS-446	TRH-451	6"	150mm
TRS-447	TRH-452	8"	200mm
TRS-448	TRH-453	10"	250mm
TRS-449	TRH-454	12"	300mm
	TRH-455	15"	380mm
	TRH-456	18"	450mm
	TRH-457	24"	600mm
	TRH-458	30"	760mm
	TRH-459	36"	900mm

Other Designer Big Knob Available



## Tower bolts



### NECK TOWER BOLT

CODE	SIZE IN INCH	SIZE IN MM
5/16 (8mm Thickness)		
NTH-460	2"	50mm
NTH-461	2.1/2"	63mm
NTH-462	3"	75mm
NTH-463	4"	100mm
NTH-464	6"	150mm
3/8 (9mm Thickness)		
NTH-465	3"	75mm
NTH-466	4"	100mm
NTH-467	6"	150mm
NTH-468	8"	200mm

### PREMIUM NECK HEX T.B. 3/8" (9mm Thick)

CODE	SIZE IN INCH	SIZE IN MM
NTP-469	4"	100mm
NTP-470	6"	150mm
NTP-471	8"	200mm

### TOWER BOLT ("V" HEX)

8mm	10mm	INCH	MM
TRV-472		3"	75mm
TRV-473	TRV-478	4"	100mm
TRV-474	TRV-479	6"	150mm
TRV-475	TRV-480	8"	200mm
TRV-476	TRV-481	10"	250mm
TRV-477	TRV-482	12"	300mm
	TRV-483	15"	380mm
	TRV-484	18"	450mm
	TRV-485	24"	600mm

Other Designer Big Knob Available

### VELLIY TOWER BOLT

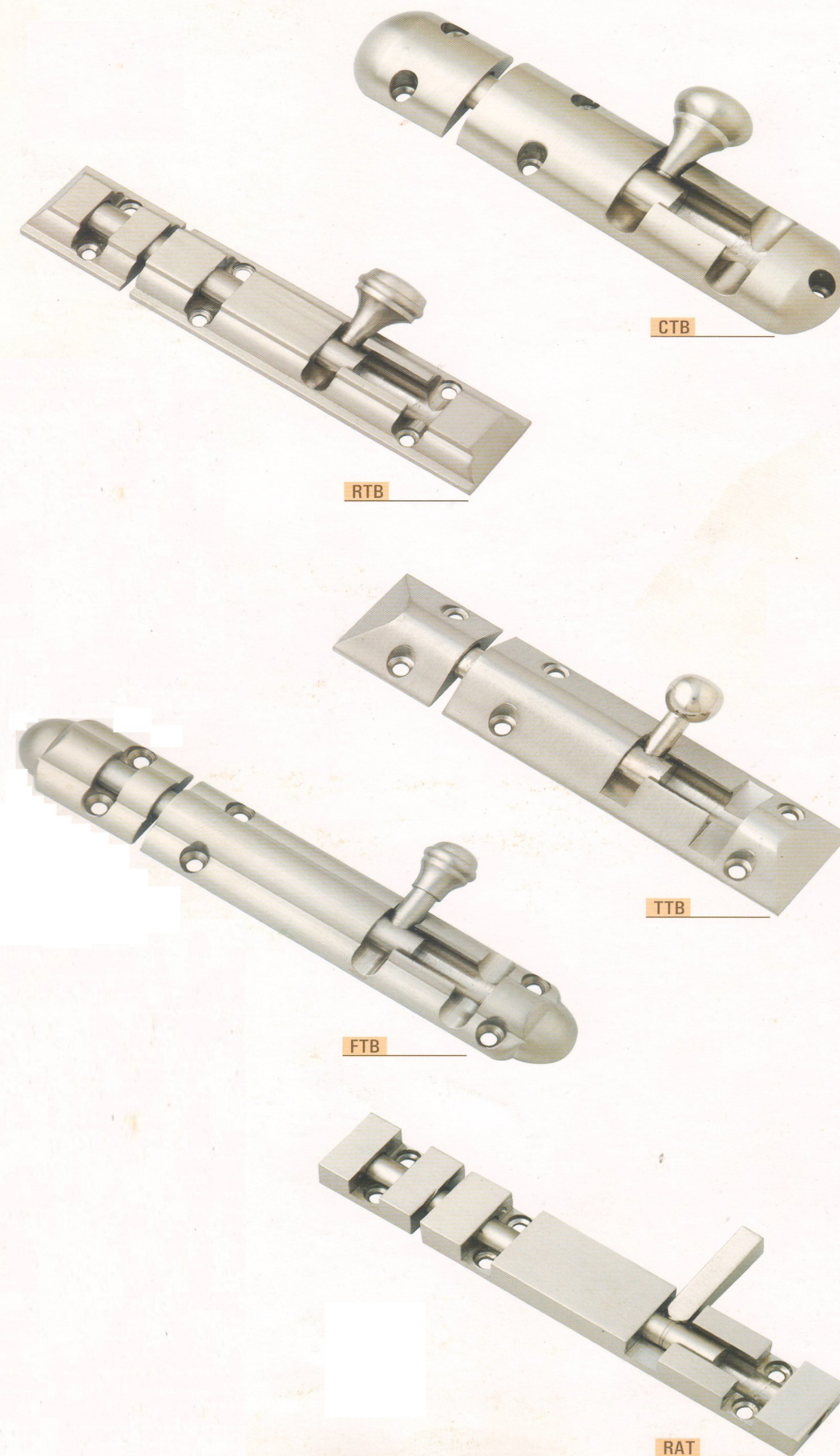
8mm	10mm	INCH	MM
TVR-486	TVR-493	4"	100mm
TVR-487	TVR-494	6"	150mm
TVR-488	TVR-495	8"	200mm
TVR-489	TVR-496	10"	250mm
TVR-490	TVR-497	12"	300mm
TVR-491	TVR-498	15"	380mm
TVR-492	TVR-499	18"	450mm
	TVR-500	24"	600mm

### FLESH TOWER BOLT 3/4 (19mm)

CODE	SIZE IN INCH	SIZE IN MM
FTB-501	4"	100mm
FTB-502	6"	150mm
FTB-503	8"	200mm
FTB-504	10"	250mm
FTB-505	12"	300mm
FTB-506	15"	380mm
FTB-507	18"	450mm
FTB-508	24"	600mm
FTB-509	30"	750mm
FTB-510	36"	900mm



## Tower bolts



### CAPSULE TOWER BOLT (HALF ROUND)

8mm	10mm	INCH	MM
CTB-511	CTB-518	4"	100mm
CTB-512	CTB-519	6"	150mm
CTB-513	CTB-520	8"	200mm
CTB-514	CTB-521	10"	250mm
CTB-515	CTB-522	12"	300mm
CTB-516	CTB-523	15"	380mm
CTB-517	CTB-524	18"	450mm
	CTB-525	24"	600mm

### ROYAL (PRINCE) TOWER BOLT

8mm	10mm	INCH	MM
RTB-526	RTB-533	4"	100mm
RTB-527	RTB-534	6"	150mm
RTB-528	RTB-535	8"	200mm
RTB-529	RTB-536	10"	250mm
RTB-530	RTB-537	12"	300mm
RTB-531	RTB-538	15"	380mm
RTB-532	RTB-539	18"	450mm

### TRIANGLE TOWER BOLT

8mm	10mm	INCH	MM
TTB-540	TTB-543	4"	100mm
TTB-541	TTB-544	6"	150mm
TTB-542	TTB-545	8"	200mm
	TTB-546	10"	250mm
	TTB-547	12"	300mm
	TTB-548	15"	380mm
	TTB-549	18"	450mm
	TTB-550	24"	600mm

### FLOWER TOWER BOLT

8mm	10mm	INCH	MM
FTB-551	FTB-556	4"	100mm
FTB-552	FTB-557	6"	150mm
FTB-553	FTB-558	8"	200mm
FTB-554	FTB-559	10"	250mm
FTB-555	FTB-560	12"	300mm
	FTB-561	15"	380mm
	FTB-562	18"	450mm
	FTB-563	24"	600mm

### RECTANGLE TOWER BOLT

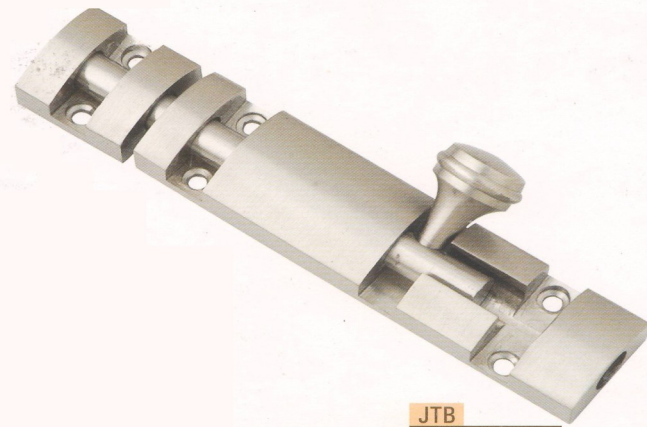
8mm	10mm	INCH	MM
RAT-564	RAT-571	4"	100mm
RAT-565	RAT-572	6"	150mm
RAT-566	RAT-573	8"	200mm
RAT-567	RAT-574	10"	250mm
RAT-568	RAT-575	12"	300mm
RAT-569	RAT-576	15"	380mm
RAT-570	RAT-577	18"	450mm
	RAT-578	24"	600mm



**INFINITIE IMPEX**  
beginning of new era

BRASS BUILDING HARDWARE

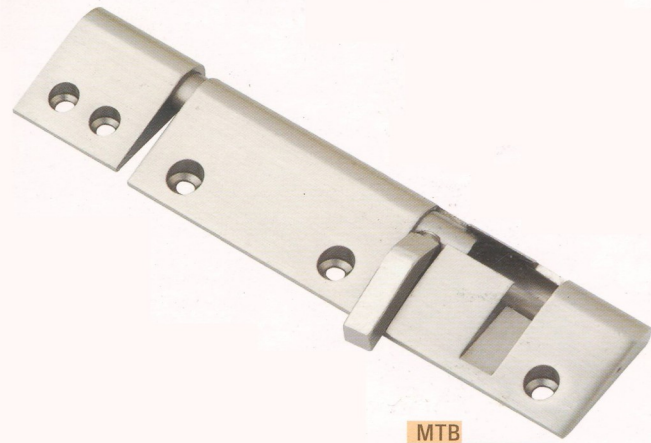
## Tower bolts



JTB

### JAILO TOWER BOLT

8mm	10mm	INCH	MM
JTB-579	JTB-586	4"	100mm
JTB-580	JTB-587	6"	150mm
JTB-581	JTB-588	8"	200mm
JTB-582	JTB-589	10"	250mm
JTB-583	JTB-590	12"	300mm
JTB-584	JTB-591	15"	380mm
JTB-585	JTB-592	18"	450mm
	JTB-593	24"	600mm



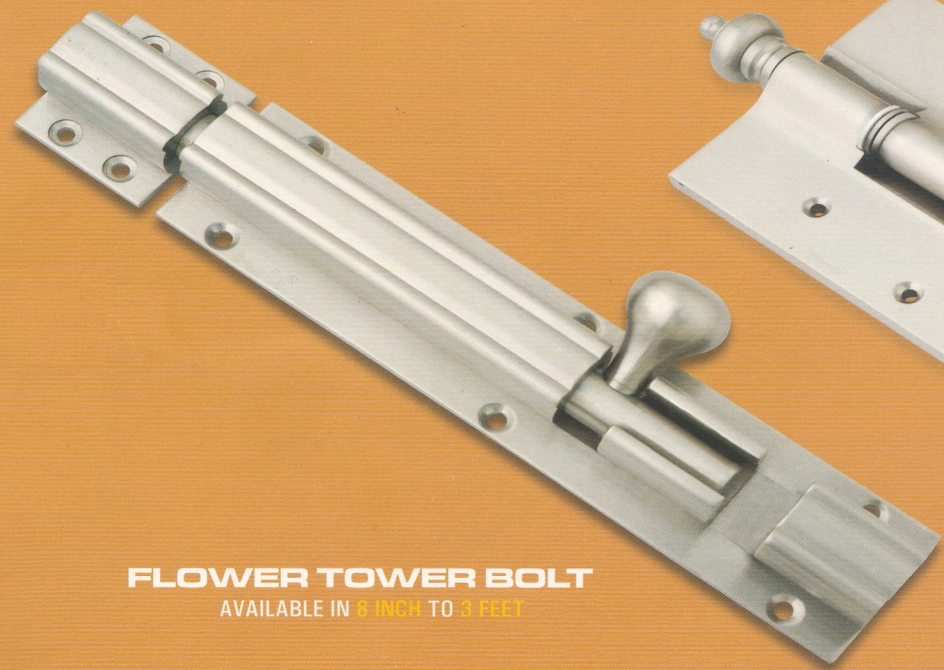
MTB

### MANGO TOWER BOLT (10mm Thick) (Left & Right)

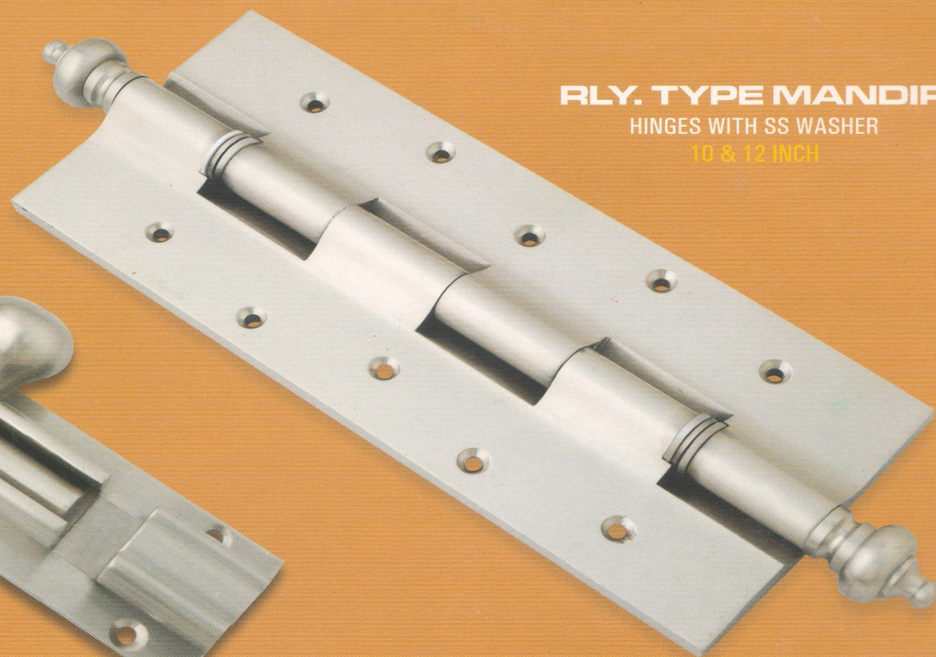
CODE	SIZE IN INCH	SIZE IN MM
MTB-594	4"	100mm
MTB-595	6"	150mm
MTB-596	8"	200mm
MTB-597	10"	250mm
MTB-598	12"	300mm

## INFINITIE IMPEX

ADD : Patel Estate, Shed No 3, Shed no -45/A, Opposite Jakat naka, Gokul Nagar Road, Jamnagar - 361005, Gujarat, India  
 EMAIL : infiniimpex@gmail.com  
 WEBSITE : www.infiniimpex.com  
 MOB. no. : +919429977822



**FLOWER TOWER BOLT**  
AVAILABLE IN 8 INCH TO 3 FEET



**RLY. TYPE MANDIR**  
HINGES WITH SS WASHER  
10 & 12 INCH